

GETTING STARTED? EASY.



ZHRN642K

EN	User Manual	2
	Hob	
FR	Notice d'utilisation	14
	Table de cuisson	
DE	Benutzerinformation	27
	Kochfeld	

ZANUSSI

SAFETY INFORMATION

Before the installation and use of the appliance, carefully read the supplied instructions. The manufacturer is not responsible for any injuries or damage that are the result of incorrect installation or usage. Always keep the instructions in a safe and accessible location for future reference.

CHILDREN AND VULNERABLE PEOPLE SAFETY

- This appliance can be used by children aged from 8 years and above and persons with reduced physical, sensory or mental capabilities or lack of experience and knowledge if they have been given supervision or instruction concerning the use of the appliance in a safe way and understand the hazards involved.
- Children between 3 and 8 years of age and persons with very extensive and complex disabilities shall be kept away from the appliance unless continuously supervised.
- Children of less than 3 years of age should be kept away from the appliance unless continuously supervised.
- Do not let children play with the appliance.
- Keep all packaging away from children and dispose of it appropriately.
- Keep children and pets away from the appliance when it operates or when it cools down. Accessible parts may become hot during use.
- If the appliance has a child safety device, it should be activated.
- Children shall not carry out cleaning and user maintenance of the appliance without supervision.

GENERAL SAFETY

- **WARNING:** The appliance and its accessible parts become hot during use. Care should be taken to avoid touching heating elements.
- **WARNING:** Unattended cooking on a hob with fat or oil can be dangerous and may result in fire.
- **NEVER** try to extinguish a fire with water, but switch off the appliance and then cover flame e.g. with a lid or a fire blanket.

- **CAUTION:** The appliance must not be supplied through an external switching device, such as a timer, or connected to a circuit that is regularly switched on and off by a utility.
- **CAUTION:** The cooking process has to be supervised. A short term cooking process has to be supervised continuously.
- **WARNING:** Danger of fire: Do not store items on the cooking surfaces.
- Metallic objects such as knives, forks, spoons and lids should not be placed on the hob surface since they can get hot.
- Do not use the appliance before installing it in the built-in structure.
- Do not use a steam cleaner to clean the appliance.
- If the glass ceramic surface / glass surface is cracked, switch off the appliance and unplug it from the mains. In case the appliance is connected to the mains directly using junction box, remove the fuse to disconnect the appliance from power supply. In either case contact the Authorised Service Centre.
- If the supply cord is damaged, it must be replaced by the manufacturer, an authorized Service or similarly qualified persons in order to avoid a hazard.
- **WARNING:** Use only hob guards designed by the manufacturer of the cooking appliance or indicated by the manufacturer of the appliance in the instructions for use as suitable or hob guards incorporated in the appliance. The use of inappropriate guards can cause accidents.

SAFETY INSTRUCTIONS

INSTALLATION



WARNING! Only a qualified person must install this appliance.



WARNING! Risk of injury or damage to the appliance.

- Remove all the packaging.
- Do not install or use a damaged appliance.
- Follow the installation instructions supplied with the appliance.
- Keep the minimum distance from other appliances and units.
- Always take care when moving the appliance as it is heavy. Always use safety gloves and enclosed footwear.
- Seal the cut surfaces with a sealant to prevent moisture to cause swelling.
- Protect the bottom of the appliance from steam and moisture.
- Do not install the appliance adjacent to a door or under a window. This prevents hot cookware falling from the appliance when the door or the window is opened.
- If the appliance is installed above drawers make sure that the space, between the bottom of the appliance and the upper drawer, is sufficient for air circulation.

- The bottom of the appliance can get hot. Make sure to install a separation panel made from plywood, kitchen carcass material or other non-flammable materials under the appliance to prevent access to the bottom.
- The separation panel has to cover the area under the hob completely.

ELECTRICAL CONNECTION



WARNING! Risk of fire and electric shock.

- All electrical connections should be made by a qualified electrician.
- The appliance must be earthed.
- Before carrying out any operation make sure that the appliance is disconnected from the power supply.
- Make sure that the parameters on the rating plate are compatible with the electrical ratings of the mains power supply.
- Make sure the appliance is installed correctly. Loose and incorrect electricity mains cable or plug (if applicable) can make the terminal become too hot.
- Use the correct electricity mains cable.
- Do not let the electricity mains cable tangle.
- Make sure that a shock protection is installed.
- Use the strain relief clamp on the cable.
- Make sure the mains cable or plug (if applicable) does not touch the hot appliance or hot cookware, when you connect the appliance to the near sockets.
- Do not use multi-plug adapters and extension cables.
- Make sure not to cause damage to the mains plug (if applicable) or to the mains cable. Contact our Authorised Service Centre or an electrician to change a damaged mains cable.
- The shock protection of live and insulated parts must be fastened in such a way that it cannot be removed without tools.
- Connect the mains plug to the mains socket only at the end of the installation. Make sure that there is access to the mains plug after the installation.
- If the mains socket is loose, do not connect the mains plug.
- Do not pull the mains cable to disconnect the appliance. Always pull the mains plug.
- Use only correct isolation devices: line protecting cut-outs, fuses (screw type fuses removed from the holder), earth leakage trips and contactors.
- The electrical installation must have an isolation device which lets you disconnect the appliance from the mains at all poles. The isolation device

must have a contact opening width of minimum 3 mm.

USE



WARNING! Risk of injury, burns and electric shock.

- Remove all the packaging, labelling and protective film (if applicable) before first use.
- This appliance is for household use only.
- Do not change the specification of this appliance.
- Make sure that the ventilation openings are not blocked.
- Do not let the appliance stay unattended during operation.
- Set the cooking zone to “off” after each use.
- Do not put cutlery or saucepan lids on the cooking zones. They can become hot.
- Do not operate the appliance with wet hands or when it has contact with water.
- Do not use the appliance as a work surface or as a storage surface.
- If the surface of the appliance is cracked, disconnect immediately the appliance from the power supply. This to prevent an electrical shock.
- When you place food into hot oil, it may splash.



WARNING! Risk of fire and explosion

- Fats and oil when heated can release flammable vapours. Keep flames or heated objects away from fats and oils when you cook with them.
- The vapours that very hot oil releases can cause spontaneous combustion.
- Used oil, that can contain food remnants, can cause fire at a lower temperature than oil used for the first time.
- Do not put flammable products or items that are wet with flammable products in, near or on the appliance.



WARNING! Risk of damage to the appliance.

- Do not keep hot cookware on the control panel.
- Do not put a hot pan cover on the glass surface of the hob.
- Do not let cookware boil dry.
- Be careful not to let objects or cookware fall on the appliance. The surface can be damaged.
- Do not activate the cooking zones with empty cookware or without cookware.
- Do not put aluminium foil on the appliance.

- Cookware made of cast iron, aluminium or with a damaged bottom can cause scratches on the glass / glass ceramic. Always lift these objects up when you have to move them on the cooking surface.
- This appliance is for cooking purposes only. It must not be used for other purposes, for example room heating.

CARE AND CLEANING

- Clean the appliance regularly to prevent the deterioration of the surface material.
- Deactivate the appliance and let it cool down before you clean it.
- Disconnect the appliance from the electrical supply before maintenance.
- Do not use water spray and steam to clean the appliance.
- Clean the appliance with a moist soft cloth. Use only neutral detergents. Do not use abrasive

products, abrasive cleaning pads, solvents or metal objects.

SERVICE

- To repair the appliance contact the Authorised Service Centre.
- Use original spare parts only.

DISPOSAL



WARNING! Risk of injury or suffocation.

- Contact your municipal authority for information on how to discard the appliance correctly.
- Disconnect the appliance from the mains supply.
- Cut off the mains electrical cable close to the appliance and dispose of it.

INSTALLATION



WARNING! Refer to Safety chapters.

BEFORE THE INSTALLATION

Before you install the hob, write down the information below from the rating plate. The rating plate is on the bottom of the hob.

Serial number

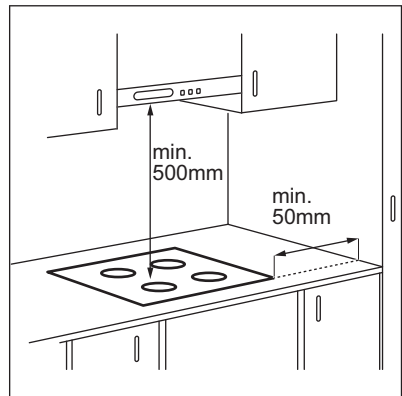
BUILT-IN HOBS

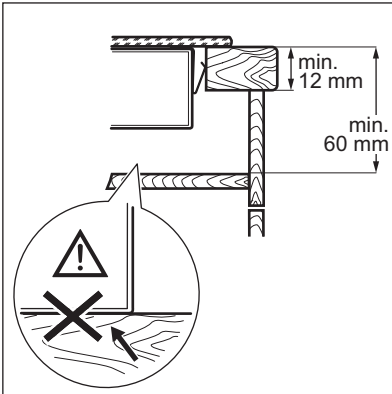
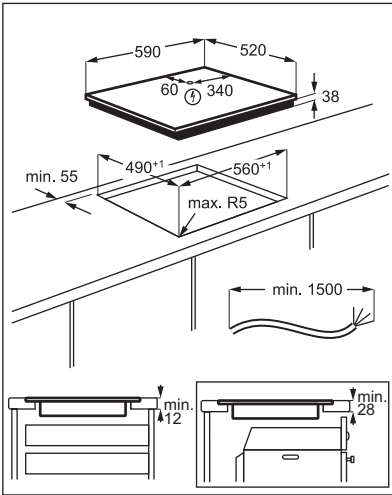
Only use the built-in hobs after you assemble the hob into correct built-in units and work surfaces that align to the standards.

CONNECTION CABLE

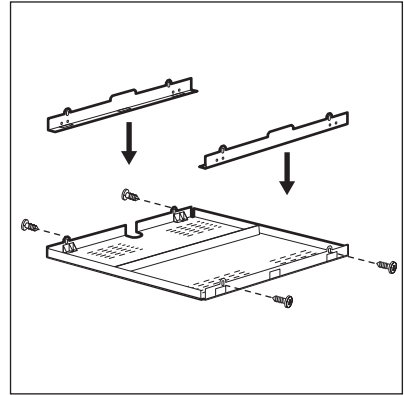
- The hob is supplied with a connection cable.
- To replace the damaged mains cable, use the cable type: H05V2V2-F which withstands a temperature of 90 °C or higher. Speak to your local Service Centre.

ASSEMBLY





PROTECTION BOX



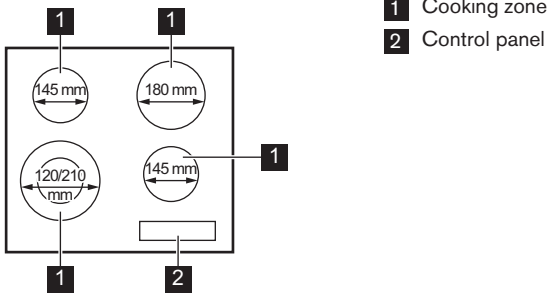
If you use a protection box (an additional accessory), the protective floor directly below the hob is not necessary. The protection box accessory may not be available in some countries. Please contact your local supplier.



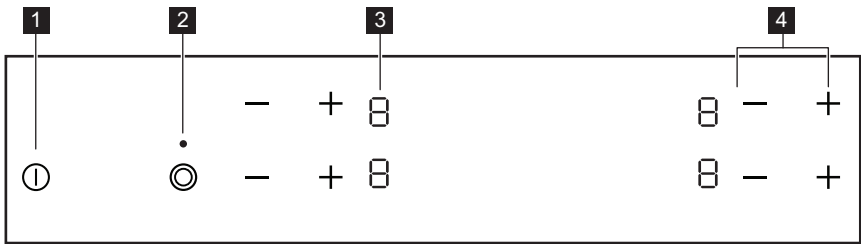
You can not use the protection box if you install the hob above an oven.

PRODUCT DESCRIPTION

COOKING SURFACE LAYOUT



CONTROL PANEL LAYOUT



Use the sensor fields to operate the appliance. The displays, indicators and sounds tell which functions operate.

	Sensor field	Function	Comment
1	⓪	ON / OFF	To activate and deactivate the hob.
2	⊙	-	To activate and deactivate the outer ring.
3	-	Heat setting display	To show the heat setting.
4	+ / -	-	To set a heat setting.

HEAT SETTING DISPLAYS

Display	Description
	The cooking zone is deactivated.
	The cooking zone operates.
+ digit	There is a malfunction.
	A cooking zone is still hot (residual heat).
	Child Safety Device operates.
	Automatic Switch Off operates.

RESIDUAL HEAT INDICATOR



WARNING! There is a risk of burns from residual heat.

The indicators show the level of the residual heat for the cooking zones you are currently using. The indicators may also come on for the neighbouring cooking zones even if you are not using them.

DAILY USE



WARNING! Refer to Safety chapters.

ACTIVATING AND DEACTIVATING

Touch for 1 second to activate or deactivate the hob.

AUTOMATIC SWITCH OFF

The function deactivates the hob automatically if:

- all cooking zones are deactivated,
- you do not set the heat setting after you activate the hob,
- you spill something or put something on the control panel for more than 10 seconds (a pan, a cloth, etc.). An acoustic signal sounds and the hob deactivates. Remove the object or clean the control panel.
- you do not deactivate a cooking zone or change the heat setting. After some time comes on and the hob deactivates.

The relation between the heat setting and the time after which the hob deactivates:

Heat setting	The hob deactivates after
1 - 2	6 hours
3 - 4	5 hours
5	4 hours
6 - 9	1.5 hour

THE HEAT SETTING

Touch to increase the heat setting. Touch to decrease the heat setting. Touch and at the same time to deactivate the cooking zone.

ACTIVATING AND DEACTIVATING THE OUTER RINGS

You can adjust the surface you cook to the dimension of the cookware.

Use sensor field:


To activate the outer ring: touch the sensor field. The indicator comes on.

To deactivate the outer ring: touch the sensor field until the indicator goes out.


CHILD SAFETY DEVICE

This function prevents an accidental operation of the hob.

To start the function: activate the hob with .



Do not set any heat setting. Touch  of the two front cooking zones at the same time for 4 seconds.

 comes on. Deactivate the hob with .

To stop the function: activate the hob with .

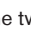

Do not set any heat setting. Touch  of the two

front cooking zones at the same time for 4 seconds.

 comes on. Deactivate the hob with .

To suspend the function for only one cooking

session: activate the hob with .  comes on.

Touch  of the two front cooking zones at the same time for 4 seconds. **Set the heat setting in 10 seconds.** You can operate the hob. When you deactivate the hob with  the function operates again.

HINTS AND TIPS



WARNING! Refer to Safety chapters.



Cookware made of enamelled steel and with aluminium or copper bottoms can cause a colour change on the glass-ceramic surface.

COOKWARE



The bottom of the cookware must be as thick and flat as possible. Ensure pan bases are clean and dry before placing on the hob surface.

EXAMPLES OF COOKING APPLICATIONS



The data in the table is for guidance only.

Heat setting	Use to:	Time (min)	Hints
1	Keep cooked food warm.	as necessary	Put a lid on the cookware.
1 - 2	Hollandaise sauce, melt: butter, chocolate, gelatine.	5 - 25	Mix from time to time.
1 - 2	Solidify: fluffy omelettes, baked eggs.	10 - 40	Cook with a lid on.
2 - 3	Simmer rice and milkbased dishes, heat up ready-cooked meals.	25 - 50	Add at least twice as much liquid as rice, mix milk dishes halfway through the procedure.
3 - 4	Steam vegetables, fish, meat.	20 - 45	Add a couple of tablespoons of liquid.
4 - 5	Steam potatoes.	20 - 60	Use max. ¼ l of water for 750 g of potatoes.
4 - 5	Cook larger quantities of food, stews and soups.	60 - 150	Up to 3 l of liquid plus ingredients.
6 - 7	Gentle fry: escalope, veal cordon bleu, cutlets, rissoles, sausages, liver, roux, eggs, pancakes, doughnuts.	as necessary	Turn halfway through.

Heat setting	Use to:	Time (min)	Hints
7 - 8	Heavy fry, hash browns, loin steaks, steaks.	5 - 15	Turn halfway through.
9	Boil water, cook pasta, sear meat (goulash, pot roast), deep-fry chips.		

CARE AND CLEANING



WARNING! Refer to Safety chapters.

GENERAL INFORMATION

- Clean the hob after each use.
- Always use cookware with a clean base.
- Scratches or dark stains on the surface have no effect on how the hob operates.
- Use a special cleaner suitable for the surface of the hob.
- Use a special scraper for the glass.

dirt can cause damage to the hob. Take care to avoid burns. Use a special hob scraper on the glass surface at an acute angle and move the blade on the surface.

- **Remove when the hob is sufficiently cool:** limescale rings, water rings, fat stains, shiny metallic discoloration. Clean the hob with a moist cloth and a non-abrasive detergent. After cleaning, wipe the hob dry with a soft cloth.
- **Remove shiny metallic discoloration:** use a solution of water with vinegar and clean the glass surface with a cloth.

CLEANING THE HOB

- **Remove immediately:** melted plastic, plastic foil, sugar and food with sugar, otherwise, the







TROUBLESHOOTING



WARNING! Refer to Safety chapters.

WHAT TO DO IF...

Problem	Possible cause	Remedy
You cannot activate or operate the hob.	The hob is not connected to an electrical supply or it is connected incorrectly.	Check if the hob is correctly connected to the electrical supply. Refer to the connection diagram.
	The fuse is blown.	Make sure that the fuse is the cause of the malfunction. If the fuse is blown again and again, contact a qualified electrician.
	You do not set the heat setting for 10 seconds.	Activate the hob again and set the heat setting in less than 10 seconds.

Problem	Possible cause	Remedy
	You touched 2 or more sensor fields at the same time.	Touch only one sensor field.
	There is water or fat stains on the control panel.	Clean the control panel.
An acoustic signal sounds and the hob deactivates. An acoustic signal sounds when the hob is deactivated.	You put something on one or more sensor fields.	Remove the object from the sensor fields.
The hob deactivates.	You put something on the sensor field  .	Remove the object from the sensor field.
Residual heat indicator does not come on.	The zone is not hot because it operated only for a short time or the sensor is damaged.	If the zone operated sufficiently long to be hot, speak to an Authorised Service Centre.
You cannot activate the outer ring.		First, activate the inner ring by changing the heat setting.
 There is a dark area on the multiple zone.	It is normal that there is a dark area on the multiple zone.	
The sensor fields become hot.	The cookware is too large or you put it too near to the controls.	Put large cookware on the rear zones, if possible.
 comes on.	Child Safety Device operates.	Refer to "Daily use".
 and a number come on.	There is an error in the hob.	Deactivate the hob and activate it again after 30 seconds. If  comes on again, disconnect the hob from the electrical supply. After 30 seconds, connect the hob again. If the problem continues, speak to an Authorised Service Centre.
You can hear a constant beep noise.	The electrical connection is incorrect.	Disconnect the hob from the electrical supply. Ask a qualified electrician to check the installation.
 comes on.	The second phase of the power supply is missing.	Check if the hob is correctly connected to the electrical supply. Remove the fuse, wait one minute, and insert the fuse again.

IF YOU CANNOT FIND A SOLUTION...

If you cannot find a solution to the problem yourself, contact your dealer or an Authorised Service

Centre. Give the data from the rating plate. Give also three digit letter code for the glass ceramic (it is in the corner of the glass surface) and an error

message that comes on. Make sure, you operated the hob correctly. If not the servicing by a service technician or dealer will not be free of charge, also during the warranty period. The instructions about

the Service Centre and conditions of guarantee are in the guarantee booklet.

TECHNICAL DATA

RATING PLATE

Model ZHRN642K
Typ 60 HAD 03 AO

Ser.Nr.
ZANUSSI

PNC 949 492 407 00
220 - 240 V / 400 V 2N 50 - 60 Hz
Made in Romania
6.4 kW



COOKING ZONES SPECIFICATION

Cooking zone	Nominal Power (Max heat setting) [W]	Cooking zone diameter [mm]
Left front	750 / 2200	120 / 210
Left rear	1200	145
Right front	1200	145
Right rear	1800	180

For optimal cooking results use cookware no larger than the diameter of the cooking zone.

ENERGY EFFICIENCY

PRODUCT INFORMATION ACCORDING TO EU 66/2014 VALID FOR EU MARKET ONLY

Model identification		ZHRN642K
Type of hob		Built-In Hob
Number of cooking zones		4
Heating technology		Radiant Heater
Diameter of circular cooking zones (Ø)	Left front Left rear Right front Right rear	21.0 cm 14.5 cm 14.5 cm 18.0 cm
Energy consumption per cooking zone (EC electric cooking)	Left front Left rear Right front Right rear	200.1 Wh / kg 188.0 Wh / kg 188.0 Wh / kg 191.6 Wh / kg
Energy consumption of the hob (EC electric hob)		191.9 Wh / kg

EN 60350-2 - Household electric cooking appliances - Part 2: Hobs - Methods for measuring performance


ENERGY SAVING


You can save energy during everyday cooking if you follow below hints.

- When you heat up water, use only the amount you need.
- If it is possible, always put the lids on the cookware.

- Before you activate the cooking zone put the cookware on it.
- The cookware bottom should have the same diameter as the cooking zone.
- Put the smaller cookware on the smaller cooking zones.
- Put the cookware directly in the centre of the cooking zone.
- Use the residual heat to keep the food warm or to melt it.

ENVIRONMENTAL CONCERNS

Recycle materials with the symbol . Put the packaging in relevant containers to recycle it. Help protect the environment and human health by recycling waste of electrical and electronic appliances. Do not dispose of appliances marked

with the symbol  with the household waste. Return the product to your local recycling facility or contact your municipal office.

INFORMATIONS DE SÉCURITÉ

Avant d'installer et d'utiliser cet appareil, lisez soigneusement les instructions fournies. Le fabricant ne pourra être tenu pour responsable des blessures et dégâts résultant d'une mauvaise installation ou utilisation. Conservez toujours les instructions dans un lieu sûr et accessible pour vous y référer ultérieurement.

SÉCURITÉ DES ENFANTS ET DES PERSONNES VULNÉRABLES

- Cet appareil peut être utilisé par des enfants de plus de 8 ans, ainsi que des personnes dont les capacités physiques, sensorielles et mentales sont réduites ou dont les connaissances et l'expérience sont insuffisantes, à condition d'être surveillés ou d'avoir reçu des instructions concernant l'utilisation sécurisée de l'appareil et de comprendre les risques encourus.
- Les enfants entre 3 et 8 ans et les personnes ayant un handicap très important et complexe doivent être tenus à l'écart de l'appareil, à moins d'être surveillés en permanence.
- Les enfants de moins de 3 ans doivent être tenus à l'écart de l'appareil, à moins d'être surveillés en permanence.
- Ne laissez pas les enfants jouer avec l'appareil.
- Ne laissez pas les emballages à la portée des enfants et jetez-les convenablement.
- Tenez les enfants et les animaux éloignés de l'appareil lorsqu'il est en cours de fonctionnement ou lorsqu'il refroidit. Les parties accessibles peuvent devenir chaudes en cours d'utilisation.
- Si l'appareil est équipé d'un dispositif de sécurité enfants, nous vous recommandons de l'activer.
- Les enfants ne doivent pas nettoyer ni entreprendre une opération de maintenance sur l'appareil sans surveillance.

SÉCURITÉ GÉNÉRALE

- **AVERTISSEMENT** : L'appareil et ses parties accessibles deviennent chauds pendant son fonctionnement. Veillez à ne pas toucher les éléments chauffants.

- **AVERTISSEMENT** : Il peut être dangereux de laisser chauffer de la graisse ou de l'huile sans surveillance sur une table de cuisson car cela pourrait provoquer un incendie.
- N'essayez **JAMAIS** d'éteindre un feu avec de l'eau. Éteignez l'appareil puis couvrez les flammes, par exemple avec un couvercle ou une couverture ignifuge.
- **ATTENTION** : L'appareil ne doit pas être branché à l'alimentation en utilisant un appareil de connexion externe comme un minuteur, ou branché à un circuit qui est régulièrement activé/désactivé par un fournisseur d'énergie.
- **ATTENTION** : Toute cuisson doit être surveillée. Une cuisson courte doit être surveillée en permanence.
- **AVERTISSEMENT** : Risque d'incendie ! N'entrez rien sur les surfaces de cuisson.
- Ne posez pas d'objets métalliques tels que couteaux, fourchettes, cuillères ou couvercles sur la table de cuisson car ils pourraient chauffer.
- N'utilisez pas l'appareil avant de l'avoir installé dans la structure encastrée.
- N'utilisez pas de nettoyeur vapeur pour nettoyer l'appareil.
- Si la surface vitrocéramique / en verre est fissurée, éteignez l'appareil et débranchez-le. Si l'appareil est branché à l'alimentation secteur directement en utilisant une boîte de jonction, retirez le fusible pour déconnecter l'appareil de l'alimentation secteur. Dans tous les cas, contactez le service après-vente agréé.
- Si le câble d'alimentation est endommagé, il doit être remplacé par le fabricant, un service de maintenance agréé ou un technicien qualifié afin d'éviter tout danger.
- **AVERTISSEMENT** : Utilisez uniquement les dispositifs de protection pour table de cuisson conçus ou indiqués comme adaptés par le fabricant de l'appareil de cuisson dans les instructions d'utilisation, ou les dispositifs de protection pour table de cuisson intégrés à l'appareil. L'utilisation de dispositifs de protection non adaptés peut entraîner des accidents.

CONSIGNES DE SÉCURITÉ

INSTALLATION



AVERTISSEMENT! L'appareil doit être installé uniquement par un professionnel qualifié.



AVERTISSEMENT! Risque de blessure corporelle ou de dommages matériels.

- Retirez l'intégralité de l'emballage.
 - N'installez pas et ne branchez pas un appareil endommagé.
 - Suivez scrupuleusement les instructions d'installation fournies avec l'appareil.
 - Respectez l'espacement minimal requis par rapport aux autres appareils et éléments.
 - Soyez toujours vigilants lorsque vous déplacez l'appareil car il est lourd. Utilisez toujours des gants de sécurité et des chaussures fermées.
 - Isolez les surfaces découpées à l'aide d'un matériau d'étanchéité pour éviter que la moisissure ne provoque de gonflements.
 - Protégez la partie inférieure de l'appareil de la vapeur et de l'humidité.
 - N'installez pas l'appareil près d'une porte ou sous une fenêtre. Les récipients chauds risqueraient de tomber de l'appareil lors de l'ouverture de celles-ci.
 - Si l'appareil est installé au-dessus de tiroirs, assurez-vous qu'il y a suffisamment d'espace entre le fond de l'appareil et le tiroir supérieur pour que l'air puisse circuler.
 - Le dessous de l'appareil peut devenir très chaud. Veillez à installer un panneau de séparation sous l'appareil pour en bloquer l'accès. Ce panneau peut être en contreplaqué, provenir d'un autre meuble de cuisine, et doit être composé d'un matériau non inflammable.
 - Le panneau de séparation doit couvrir entièrement l'espace sous la table de cuisson.
- Assurez-vous que l'appareil est bien installé. Un câble d'alimentation lâche et inapproprié ou une fiche (si présente) non serrée peuvent être à l'origine d'une surchauffe des bornes.
 - Utilisez le câble d'alimentation électrique approprié.
 - Ne laissez pas le câble d'alimentation s'emmêler.
 - Assurez-vous qu'une protection anti-électrocution est installée.
 - Utilisez un collier anti-traction sur le câble.
 - Assurez-vous que le câble d'alimentation ou la fiche (si présente) n'entrent pas en contact avec les surfaces brûlantes de l'appareil ou les récipients brûlants lorsque vous branchez l'appareil à des prises électriques situées à proximité.
 - L'appareil ne doit pas être raccordé à l'aide d'une prise multiple ou d'un prolongateur.
 - Veillez à ne pas endommager la fiche secteur (si présente) ni le câble d'alimentation. Contactez notre service après-vente agréé ou un électricien pour remplacer le câble d'alimentation s'il est endommagé.
 - La protection contre les chocs des parties sous tension et isolées doit être fixée de telle manière qu'elle ne puisse pas être enlevée sans outils.
 - Ne branchez la fiche d'alimentation à la prise de courant qu'à la fin de l'installation. Assurez-vous que la prise principale est accessible une fois l'appareil installé.
 - Si la prise de courant est lâche, ne branchez pas la fiche d'alimentation secteur.
 - Ne tirez jamais sur le câble d'alimentation électrique pour débrancher l'appareil. Tirez toujours sur la fiche de la prise secteur.
 - N'utilisez que des dispositifs d'isolation corrects : coupe-circuits de protection de ligne, fusibles. (les fusibles à visser doivent être retirés du support), un disjoncteur différentiel et des contacteurs.
 - L'installation électrique doit être équipée d'un dispositif d'isolement à coupure omnipolaire. Le dispositif d'isolement doit présenter une distance d'ouverture des contacts d'au moins 3 mm.

BRANCHEMENT ÉLECTRIQUE



AVERTISSEMENT! Risque d'incendie ou d'électrocution.

- L'ensemble des branchements électriques doit être effectué par un technicien qualifié.
- L'appareil doit être relié à la terre.
- Avant toute intervention, assurez-vous que l'appareil est débranché.
- Vérifiez que les paramètres figurant sur la plaque signalétique correspondent aux données électriques de votre réseau.

UTILISATION



AVERTISSEMENT! Risque de blessures, de brûlures ou d'électrocution.

- Avant la première utilisation, retirez les emballages, les étiquettes et les films de protection (si présents).
- Cet appareil est exclusivement destiné à une utilisation domestique.
- Ne modifiez pas les caractéristiques de cet appareil.
- Assurez-vous que les orifices de ventilation ne sont pas bouchés.
- Ne laissez jamais l'appareil sans surveillance pendant son fonctionnement.
- Éteignez les zones de cuisson après chaque utilisation.
- Ne posez pas de couverts ou de couvercles sur les zones de cuisson. Elles sont chaudes.
- N'utilisez jamais cet appareil avec les mains mouillées ou lorsqu'il est en contact avec de l'eau.
- N'utilisez jamais l'appareil comme plan de travail ou comme plan de stockage.
- Si la surface de l'appareil présente des fêlures, débranchez immédiatement l'appareil pour éviter tout risque d'électrocution.
- Lorsque vous versez un aliment dans de l'huile chaude, elle peut éclabousser.
- Prenez soin de ne pas laisser tomber d'objets ou de récipients sur l'appareil. Sa surface risque d'être endommagée.
- Ne faites jamais fonctionner les zones de cuisson avec des récipients de cuisson vides ou sans aucun récipient de cuisson.
- Ne placez jamais de papier aluminium sur l'appareil.
- N'utilisez pas de récipients en fonte ou en aluminium, ni de récipients dont le fond est endommagé et rugueux. Ils risqueraient de rayer le verre ou la surface vitrocéramique. Soulevez toujours ces objets lorsque vous devez les déplacer sur la surface de cuisson.
- Cet appareil est exclusivement destiné à un usage culinaire. Ne l'utilisez pas pour des usages autres que celui pour lequel il a été conçu, à des fins de chauffage par exemple.



AVERTISSEMENT! Risque d'incendie et d'explosion.

- Les graisses et l'huile chaudes peuvent dégager des vapeurs inflammables. Tenez les flammes ou les objets chauds éloignés des graisses et de l'huile lorsque vous vous en servez pour cuisiner.
- Les vapeurs dégagées par l'huile très chaude peuvent provoquer une combustion spontanée.
- L'huile qui a servi contient des restes d'aliments pouvant provoquer un incendie à température plus faible que l'huile n'ayant jamais servi.
- Ne placez pas de produits inflammables ou d'éléments imbibés de produits inflammables à l'intérieur ou à proximité de l'appareil, ni sur celui-ci.



AVERTISSEMENT! Risque d'endommagement de l'appareil.

- Ne laissez pas de récipients chauds sur le bandeau de commande.
- Ne posez pas de couvercle de casserole chaud sur la surface en verre de la table de cuisson.
- Ne laissez pas le contenu des récipients s'évaporer entièrement.

ENTRETIEN ET NETTOYAGE

- Nettoyez régulièrement l'appareil afin de maintenir le revêtement en bon état.
- Éteignez l'appareil et laissez-le refroidir avant de le nettoyer.
- Débranchez l'appareil de l'alimentation électrique avant toute opération de maintenance.
- Ne pulvérisez pas d'eau ni de vapeur pour nettoyer l'appareil.
- Nettoyez l'appareil avec un chiffon doux humide. Utilisez uniquement des produits de lavage neutres. N'utilisez pas de produits abrasifs, de tampons à récurer, de solvants ni d'objets métalliques.

MAINTENANCE

- Pour réparer l'appareil, contactez un service après-vente agréé.
- Utilisez exclusivement des pièces d'origine.

MISE AU REBUT



AVERTISSEMENT! Risque de blessure ou d'asphyxie.

- Contactez votre service municipal pour obtenir des informations sur la marche à suivre pour mettre l'appareil au rebut.
- Débranchez l'appareil de l'alimentation électrique.
- Coupez le câble d'alimentation au ras de l'appareil et mettez-le au rebut.

INSTALLATION



AVERTISSEMENT! Reportez-vous aux chapitres concernant la sécurité.

AVANT L'INSTALLATION

Avant d'installer la table de cuisson, notez les informations de la plaque signalétique ci-dessous. La plaque signalétique se trouve au bas de la table de cuisson.

Numéro de série

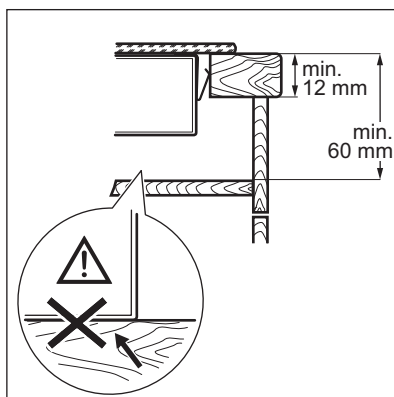
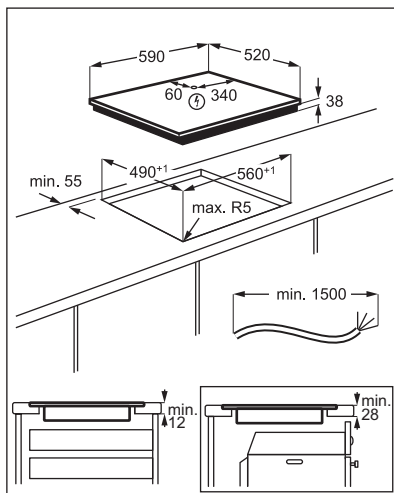
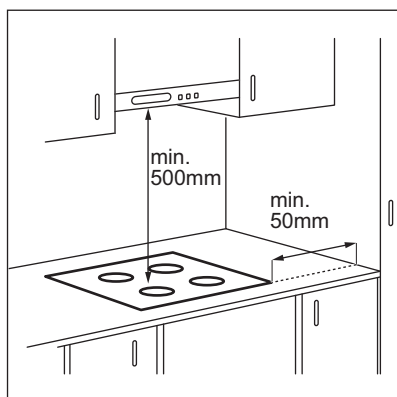
TABLES DE CUISSON INTÉGRÉES

Les tables de cuisson encastrables ne peuvent être mises en fonctionnement qu'après avoir été installées dans des meubles et sur des plans de travail homologués et adaptés.

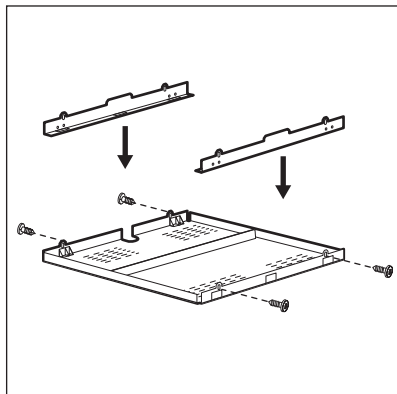
CÂBLE D'ALIMENTATION

- La table de cuisson est fournie avec un câble d'alimentation.
- Pour remplacer le câble d'alimentation endommagé, utilisez le type de câble suivant : H05V2V2-F qui doit supporter une température minimale de 90 °C. Contactez votre service après-vente.

MONTAGE



ENCEINTE DE PROTECTION



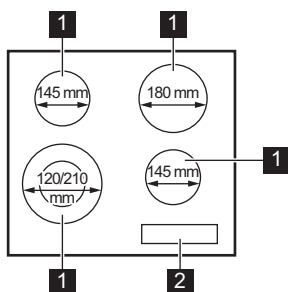
Si vous utilisez une enceinte de protection (accessoire supplémentaire), le fond de protection installé directement sous la table de cuisson n'est plus nécessaire. L'enceinte de protection n'est pas disponible dans tous les pays. Veuillez contacter votre revendeur local.



Vous ne pouvez pas utiliser l'enceinte de protection si vous installez la table de cuisson au-dessus d'un four.

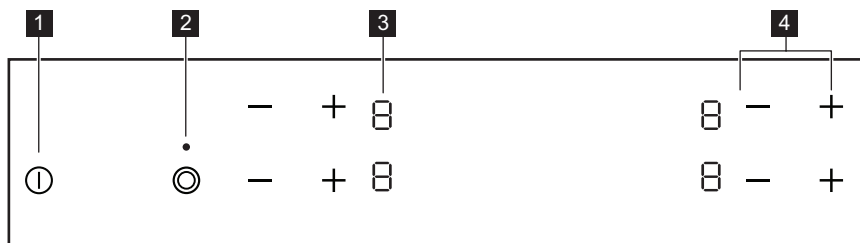
DESCRIPTION DE L'APPAREIL

DESCRIPTION DE LA TABLE DE CUISSON



- 1** Zone de cuisson
- 2** Bandeau de commande

DESCRIPTION DU BANDEAU DE COMMANDE



Les touches sensibles permettent de faire fonctionner l'appareil. Les affichages, les voyants et les signaux sonores indiquent les fonctions activées.

	Touche sensitive	Fonction	Commentaire
1	ⓘ	MARCHE/ARRÊT	Pour allumer et éteindre la table de cuisson.
2	☉	-	Pour activer ou désactiver le circuit extérieur de la zone de cuisson.
3	-	Indicateur du niveau de cuisson	Pour indiquer le niveau de cuisson.
4	+ / -	-	Pour sélectionner un niveau de cuisson.

AFFICHAGE DU NIVEAU DE CUISSON

Afficheur	Description
0	La zone de cuisson est désactivée.
1 - 9	La zone de cuisson est activée.
E + chiffre	Une anomalie de fonctionnement s'est produite.
H	Une zone de cuisson est encore chaude (chaleur résiduelle).
L	Dispositif de sécurité enfants est activée.
-	Arrêt automatique est activé.

INDICATEUR DE CHALEUR RÉSIDUELLE



AVERTISSEMENT!  Il y a risque de brûlures par la chaleur résiduelle.

Les voyants indiquent le niveau de chaleur résiduelle des zones de cuisson que vous utilisez

actuellement. Les voyants des zones voisines peuvent également s'allumer, même si vous ne les utilisez pas.

UTILISATION QUOTIDIENNE



AVERTISSEMENT! Reportez-vous aux chapitres concernant la sécurité.

ACTIVATION ET DÉSACTIVATION


Appuyez sur ⓘ pendant 1 seconde pour activer ou désactiver la table de cuisson.

ARRÊT AUTOMATIQUE

Cette fonction arrête la table de cuisson automatiquement si :

- toutes les zones de cuisson sont désactivées,
- vous ne réglez pas le niveau de cuisson après avoir allumé la table de cuisson,
- vous avez renversé quelque chose ou placé un objet sur le bandeau de commande pendant plus de 10 secondes (une casserole, un torchon, etc.). Un signal sonore retentit et la


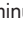


table de cuisson s'éteint. Enlevez l'objet ou nettoyez le bandeau de commande.

- vous ne désactivez pas la zone de cuisson ou ne modifiez pas le niveau de cuisson. Au bout de quelques instants,  s'allume et la table de cuisson s'éteint.

La relation entre le niveau de cuisson et la durée après laquelle la table de cuisson s'éteint :

Niveau de cuisson	La table de cuisson s'éteint au bout de
1 - 2	6 heures
3 - 4	5 heures
5	4 heures
6 - 9	1,5 heure

NIVEAU DE CUISSON

Appuyez sur  pour augmenter le niveau de cuisson. Appuyez sur  pour diminuer le niveau de cuisson. Appuyez simultanément sur  et  pour désactiver la zone de cuisson.

ACTIVATION ET DÉSACTIVATION DES CIRCUITS EXTÉRIEURS

Vous pouvez ajuster la surface de cuisson à la dimension de votre ustensile de cuisine.

Utilisez la touche sensitive : 

CONSEILS



AVERTISSEMENT! Reportez-vous aux chapitres concernant la sécurité.

RÉCIPIENTS




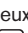


Le fond de l'ustensile de cuisson doit être aussi plat et épais que possible. Assurez-vous que le fond du récipient est propre avant de le placer sur la surface de la table de cuisson.





Pour activer le circuit extérieur : appuyez sur la touche sensitive. Le voyant s'allume.





Pour désactiver le circuit extérieur : appuyez sur la touche sensitive jusqu'à ce que le voyant s'éteigne.

DISPOSITIF DE SÉCURITÉ ENFANTS

Cette fonction permet d'éviter une utilisation involontaire de la table de cuisson.

Pour lancer la fonction : allumez la table de cuisson en appuyant sur . Ne sélectionnez pas de réglage de niveau de cuisson. Appuyez simultanément sur  des deux zones de cuisson avant pendant 4 secondes.  s'allume. Éteignez la table de cuisson en appuyant sur .

Pour arrêter la fonction : allumez la table de cuisson en appuyant sur . Ne sélectionnez pas de réglage de niveau de cuisson. Appuyez simultanément sur  des deux zones de cuisson avant pendant 4 secondes.  s'allume. Éteignez la table de cuisson en appuyant sur .

Pour suspendre la fonction le temps d'une cuisson : allumez la table de cuisson en appuyant sur .  s'allume. Appuyez simultanément sur  des deux zones de cuisson avant pendant 4 secondes. **Réglez le niveau de cuisson dans les 10 secondes qui suivent.** Vous pouvez utiliser la table de cuisson. Lorsque vous éteignez la table de cuisson avec , la fonction est de nouveau activée.



Les récipients de cuisson avec un fond en émail, en aluminium ou en cuivre peuvent laisser des traces sur la surface vitrocéramique.

EXEMPLES DE CUISSON



Les données du tableau sont fournies à titre indicatif uniquement.

Niveau de cuisson	Utilisation :	Durée (min)	Conseils
1	Conserver les aliments cuits au chaud.	au besoin	Placez un couvercle sur le récipient.
1 - 2	Sauce hollandaise, faire fondre : beurre, chocolat, gélatine.	5 - 25	Mélangez de temps en temps.
1 - 2	Solidifier : omelettes, œufs cocotte.	10 - 40	Couvrez pendant la cuisson.
2 - 3	Faire mijoter des plats à base de riz et de laitage, réchauffer des plats cuisinés.	25 - 50	Ajoutez au moins deux fois plus d'eau que de riz. Remuez les plats à base de lait durant la cuisson.
3 - 4	Cuire à la vapeur des légumes, du poisson et de la viande.	20 - 45	Ajoutez quelques cuillerées à soupe de liquide.
4 - 5	Cuire des pommes de terre à la vapeur.	20 - 60	Utilisez ¼ l d'eau max. pour 750 g de pommes de terre.
4 - 5	Cuire de grandes quantités d'aliments, des ragoûts et des soupes.	60 - 150	Ajoutez jusqu'à 3 litres de liquide, plus les ingrédients.
6 - 7	Faire revenir : escalopes, cordons bleus de veau, côtelettes, rissoles, saucisses, foie, roux, œufs, crêpes, beignets.	au besoin	Retournez à la moitié du temps.
7 - 8	Cuisson à température élevée des pommes de terre rissolées, filets, steaks.	5 - 15	Retournez à la moitié du temps.
9	Faire bouillir de l'eau, cuire des pâtes, griller de la viande (goulasch, bœuf braisé), cuire des frites.		

ENTRETIEN ET NETTOYAGE



AVERTISSEMENT! Reportez-vous aux chapitres concernant la sécurité.

INFORMATIONS GÉNÉRALES

- Nettoyez la table de cuisson après chaque utilisation.
- Utilisez toujours un récipient dont le fond est propre.
- Les rayures ou les taches sombres sur la surface n'ont aucune incidence sur le fonctionnement de la table de cuisson.
- Utilisez un nettoyeur spécialement adapté à la surface de la table de cuisson.
- Utilisez un racloir spécial pour la vitre.

NETTOYAGE DE LA TABLE DE CUISSON

- Enlevez immédiatement :** le plastique fondu, les feuilles de plastique, le sucre et les aliments contenant du sucre car la saleté peut endommager la table de cuisson. Veillez à ne pas vous brûler. Tenez le racloir spécial incliné sur la surface vitrée et faites glisser la lame du racloir pour enlever les salissures.
- Une fois que la table de cuisson a suffisamment refroidi, enlevez :** traces de calcaire et d'eau, projections de graisse, décolorations métalliques luisantes. Nettoyez la table de cuisson à l'aide d'un chiffon humide et d'un détergent non abrasif. Après le nettoyage, séchez la table de cuisson à l'aide d'un chiffon doux.

- **Pour retirer les décolorations métalliques brillantes** : utilisez une solution d'eau

additionnée de vinaigre et nettoyez la surface vitrée avec un chiffon.





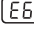
DÉPANNAGE



AVERTISSEMENT! Reportez-vous aux chapitres concernant la sécurité.

QUE FAIRE SI...

Problème	Cause possible	Solution
Vous ne pouvez pas allumer la table de cuisson ni la faire fonctionner.	La table de cuisson n'est pas connectée à une source d'alimentation électrique ou le branchement est incorrect.	Vérifiez que la table de cuisson est correctement branchée à une source d'alimentation électrique. Reportez-vous au schéma de branchement.
	Le fusible a disjoncté.	Vérifiez que le fusible est bien la cause de l'anomalie. Si les fusibles disjonctent de manière répétée, faites appel à un électricien qualifié.
	Vous ne réglez pas le niveau de cuisson dans les 10 secondes.	Allumez de nouveau la table de cuisson et réglez le niveau de cuisson en moins de 10 secondes.
	Vous avez appuyé sur plusieurs champs de capteur en même temps.	N'appuyez que sur une seule touche sensitive à la fois.
	Il y a de l'eau ou des taches de graisse sur le bandeau de commande.	Nettoyez le bandeau de commande.
Un signal sonore retentit et la table de cuisson s'éteint. Un signal sonore retentit lorsque la table de cuisson est éteinte.	Vous avez posé quelque chose sur une ou plusieurs touches sensibles.	Retirez l'objet des touches sensibles.
La table de cuisson s'éteint.	Vous avez posé quelque chose sur la touche sensitive ①.	Retirez l'objet de la touche sensitive.
Le voyant de chaleur résiduelle ne s'allume pas.	La zone de cuisson n'est pas chaude parce qu'elle n'a fonctionné que peu de temps ou le capteur est endommagé.	Si la zone a eu assez de temps pour chauffer, faites appel à votre service après-vente.
Impossible d'activer le circuit extérieur.		Activez d'abord le circuit intérieur en modifiant le niveau de puissance.

Problème	Cause possible	Solution
 Il y a une zone sombre sur la zone multiple.	Il est normal qu'il y ait une zone sombre sur la zone multiple.	
Les touches sensibles sont chaudes.	Le récipient est trop grand ou vous l'avez placé trop près des commandes.	Placez les récipients de grande taille sur les zones de cuisson arrière, si possible.
 s'allume.	Dispositif de sécurité enfants est activé.	Reportez-vous au chapitre « Utilisation quotidienne ».
 et un chiffre s'affichent.	Une erreur s'est produite dans la table de cuisson.	Éteignez la table de cuisson et rallumez-la au bout de 30 secondes. Si  s'affiche à nouveau, débranchez la table de cuisson de la prise électrique. Au bout de 30 secondes, rebranchez la table de cuisson. Si le problème persiste, contactez le service après-vente agréé.
Un bip constant se déclenche.	Le branchement électrique n'est pas adapté.	Débranchez l'appareil de l'alimentation électrique. Demandez à un électricien qualifié de vérifier l'installation.
 s'allume.	Il manque la seconde phase de l'alimentation électrique.	Vérifiez que la table de cuisson est correctement branchée à une source d'alimentation électrique. Retirez le fusible, attendez une minute, et remplacez le fusible.

SI VOUS NE TROUVEZ PAS DE SOLUTION...

Si vous ne trouvez pas de solution au problème, veuillez contacter votre revendeur ou un service après-vente agréé. Veuillez lui fournir les informations se trouvant sur la plaque signalétique. Donnez également la combinaison à 3 lettres et chiffres pour la vitrocéramique (située dans un des coins de la surface en verre) et le message d'erreur qui s'affiche. Assurez-vous d'utiliser correctement

l'appareil. En cas d'erreur de manipulation de la part de l'utilisateur, le déplacement du technicien du service après-vente ou du vendeur pourra être facturé, même en cours de garantie. Les instructions relatives au service après-vente et aux conditions de garantie figurent dans le livret de garantie.

CARACTÉRISTIQUES TECHNIQUES

PLAQUE SIGNALÉTIQUE

Modèle ZHRN642K
Type 60 HAD 03 AO

PNC 949 492 407 00
220 - 240 V / 400 V 2N 50 - 60 Hz
Fabriqué en Roumanie

CARACTÉRISTIQUES DES ZONES DE CUISSON

Zone de cuisson	Puissance nominale (niveau de cuisson max.) [W]	Diamètre de la zone de cuisson [mm]
Avant gauche	750 / 2200	120 / 210
Arrière gauche	1200	145
Avant droite	1200	145
Arrière droite	1800	180

Pour des résultats de cuisson optimaux, utilisez des récipients qui ne dépassent pas le diamètre de la zone de cuisson.

RENDEMENT ÉNERGÉTIQUE

INFORMATIONS SUR LE PRODUIT CONFORMÉMENT À LA NORME EU 66/2014 VALABLE POUR LE MARCHÉ EUROPÉEN UNIQUEMENT

Identification du modèle		ZHRN642K
Type de table de cuisson		Table de cuisson intégrée
Nombre de zones de cuisson		4
Technologie de chauffage		Chauffage par rayonnement
Diamètre des zones de cuisson circulaires (Ø)	Avant gauche Arrière gauche Avant droite Arrière droite	21,0 cm 14,5 cm 14,5 cm 18,0 cm
Consommation d'énergie selon la zone de cuisson (EC electric cooking)	Avant gauche Arrière gauche Avant droite Arrière droite	200,1 Wh / kg 188,0 Wh / kg 188,0 Wh / kg 191,6 Wh / kg
Consommation d'énergie de la table de cuisson (EC electric hob)		191,9 Wh / kg

EN 60350-2 - Appareils de cuisson domestiques électriques - Partie 2 : Tables de cuisson - Méthodes de mesure des performances


ÉCONOMIE D'ÉNERGIE


Vous pouvez économiser de l'énergie au quotidien en suivant les conseils suivants.

- Si vous faites chauffer de l'eau, ne faites chauffer que la quantité dont vous avez réellement besoin.
- Si possible, couvrez toujours les récipients de cuisson avec un couvercle pendant la cuisson.
- Activez toujours la zone de cuisson après avoir posé le récipient dessus.

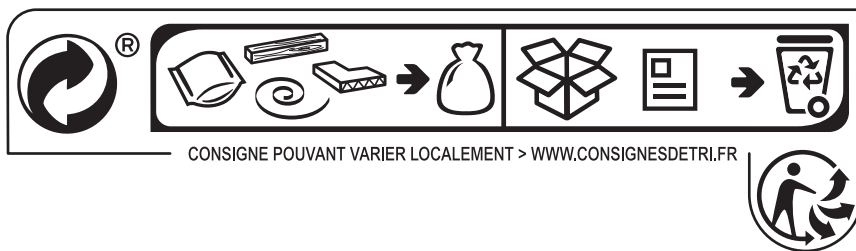
- Le fond du récipient doit avoir le même diamètre que la zone de cuisson.
- Placez les plus petits récipients sur les plus petites zones de cuisson.
- Posez directement le récipient au centre de la zone de cuisson.
- Vous pouvez utiliser la chaleur résiduelle pour conserver les aliments au chaud ou pour faire fondre.

EN MATIÈRE DE PROTECTION DE L'ENVIRONNEMENT

Recyclez les matériaux portant le symbole . Déposez les emballages dans les conteneurs prévus à cet effet. Contribuez à la protection de l'environnement et à votre sécurité, recyclez vos produits électriques et électroniques. Ne jetez pas

les appareils portant le symbole  avec les ordures ménagères. Emmenez un tel produit dans votre centre local de recyclage ou contactez vos services municipaux.

F FRANCE ONLY



SICHERHEITSHINWEISE

Lesen Sie vor der Montage und dem Gebrauch des Geräts zuerst die Bedienungsanleitung. Bei Verletzungen oder Schäden infolge nicht ordnungsgemäßer Montage oder Verwendung übernimmt der Hersteller keine Haftung. Bewahren Sie die Anleitung zum Nachschlagen an einem sicheren und zugänglichen Ort auf.

SICHERHEIT VON KINDERN UND SCHUTZBEDÜRFTIGEN PERSONEN

- Das Gerät kann von Kindern ab 8 Jahren und Personen mit eingeschränkten physischen, sensorischen oder geistigen Fähigkeiten oder mit mangelnder Erfahrung und/oder mangelndem Wissen nur dann verwendet werden, wenn sie durch eine für ihre Sicherheit zuständige Person beaufsichtigt werden oder in die sichere Verwendung des Geräts eingewiesen wurden und die mit dem Gerät verbundenen Gefahren verstanden haben.
- Kinder zwischen 3 und 8 Jahren und Personen mit schweren Behinderungen oder Mehrfachbehinderung müssen vom Gerät ferngehalten werden, wenn sie nicht ständig beaufsichtigt werden.
- Halten Sie Kinder unter 3 Jahren vom Gerät fern, wenn sie nicht ständig beaufsichtigt werden.
- Kinder dürfen nicht mit dem Gerät spielen.
- Halten Sie sämtliches Verpackungsmaterial von Kindern fern und entsorgen Sie es auf angemessene Weise.
- Halten Sie Kinder und Haustiere während des Betriebs oder der Abkühlphase vom Gerät fern. Die zugänglichen Geräteteile werden beim Betrieb sehr heiß.
- Falls Ihr Gerät mit einer Kindersicherung ausgestattet ist, empfehlen wir, diese einzuschalten.
- Kinder dürfen keine Reinigung und Wartung ohne Beaufsichtigung durchführen.

ALLGEMEINE SICHERHEIT

- **WARNUNG:** Das Gerät und die zugänglichen Geräteteile werden während des Betriebs heiß. Seien Sie vorsichtig und berühren Sie niemals die Heizelemente.
- **WARNUNG:** Kochen mit Fett oder Öl auf einem unbeaufsichtigten Kochfeld ist gefährlich und kann zu einem Brand führen.
- Versuchen Sie **NIEMALS**, ein Feuer mit Wasser zu löschen, sondern schalten Sie das Gerät aus und decken Sie die Flamme ab, z.B. mit einem Deckel oder einer Feuerlöschdecke.
- **VORSICHT:** Das Gerät darf nicht durch ein externes Schaltgerät, wie einer Zeitschaltuhr, mit Strom versorgt oder an einen Schaltkreis angeschlossen werden, der vom einem Programm regelmäßig ein- und ausgeschaltet wird.
- **VORSICHT:** Der Kochvorgang muss überwacht werden. Ein kurzer Kochvorgang muss kontinuierlich überwacht werden.
- **WARNUNG:** Brandgefahr: Legen Sie keine Gegenstände auf dem Kochfeld ab.
- Legen Sie keine Metallgegenstände wie Messer, Gabeln, Löffel oder Topfdeckel auf die Oberfläche des Kochfelds, da diese heiß werden können.
- Verwenden Sie das Gerät nicht, bevor es in den Einbauschränk gesetzt wird.
- Reinigen Sie das Gerät nicht mit einem Dampfstrahlreiniger.
- Hat die Glaskeramik-/Glasoberfläche einen Sprung, schalten Sie das Gerät aus und nehmen Sie es vom Stromnetz. Falls das Gerät direkt mit dem Stromnetz verbunden ist und nicht getrennt werden kann, nehmen Sie die Sicherung für den Anschluss heraus, um die Stromversorgung zu unterbrechen. Verständigen Sie in jedem Fall den autorisierten Kundendienst.
- Wenn das Netzkabel beschädigt ist, muss es vom Hersteller, seinem autorisierten Kundenservice oder einer gleichermaßen qualifizierten Person ausgetauscht werden, um Gefahrenquellen zu vermeiden.
- **WARNUNG:** Verwenden Sie nur Schutzabdeckungen des Herstellers des Kochgeräts, von ihm in der

Bedienungsanleitung als geeignete und empfohlene Schutzabdeckungen oder die im Gerät enthaltene Schutzabdeckung. Es besteht Unfallgefahr durch die Verwendung ungeeigneter Schutzabdeckungen.

SICHERHEITSANWEISUNGEN

MONTAGE



WARNUNG! Die Montage des Geräts darf nur von einer qualifizierten Fachkraft durchgeführt werden.



WARNUNG! Verletzungsgefahr sowie Risiko von Schäden am Gerät.

- Entfernen Sie das gesamte Verpackungsmaterial.
- Montieren Sie ein beschädigtes Gerät nicht und benutzen Sie es nicht.
- Halten Sie sich an die mitgelieferte Montageanleitung.
- Die Mindestabstände zu anderen Geräten und Küchenmöbeln sind einzuhalten.
- Seien Sie beim Umsetzen des Gerätes vorsichtig, da es sehr schwer ist. Tragen Sie stets Sicherheitshandschuhe und festes Schuhwerk.
- Dichten Sie die Ausschnittskanten mit einem Dichtungsmittel ab, um ein Aufquellen durch Feuchtigkeit zu verhindern.
- Schützen Sie die Geräteunterseite vor Dampf und Feuchtigkeit.
- Installieren Sie das Gerät nicht direkt neben einer Tür oder unter einem Fenster. So kann heißes Kochgeschirr nicht herunterfallen, wenn die Tür oder das Fenster geöffnet wird.
- Wird das Gerät über Schubladen eingebaut, achten Sie darauf, dass zwischen dem Geräteboden und der oberen Schublade ein ausreichender Abstand für die Luftzirkulation vorhanden ist.
- Der Boden des Geräts kann heiß werden. Achten Sie darauf eine feuerfeste Trennplatte aus Sperrholz, Küchenmöbelmaterial oder einem anderen nicht entflammaren Material unter dem Gerät anzubringen, damit der Boden nicht zugänglich ist.
- Die Trennplatte muss den gesamten Bereich unter dem Kochfeld abdecken.

ELEKTRISCHER ANSCHLUSS



WARNUNG! Brand- und Stromschlaggefahr.

- Alle elektrischen Anschlüsse sind von einem geprüften Elektriker vorzunehmen.
- Das Gerät muss geerdet sein.
- Vor der Durchführung jeglicher Arbeiten muss das Gerät von der elektrischen Stromversorgung getrennt werden.
- Stellen Sie sicher, dass die Daten auf dem Typenschild mit den elektrischen Nennwerten der Netzspannung übereinstimmen.
- Vergewissern Sie sich, dass das Gerät ordnungsgemäß installiert ist. Lockere und unsachgemäße Kabel oder Stecker (falls vorhanden) können die Klemme überhitzen.
- Stellen Sie sicher, dass Sie das richtige Kabel für den elektrischen Netzanschluss verwenden.
- Achten Sie darauf, dass das Netzkabel nicht lose hängt oder sich verheddert.
- Sorgen Sie dafür, dass ein Berührungsschutz installiert wird.
- Verwenden Sie die Zugentlastung für das Kabel.
- Stellen Sie beim elektrischen Anschluss des Gerätes sicher, dass das Netzkabel oder ggf. der Netzstecker nicht mit dem heißen Gerät oder heißem Kochgeschirr in Berührung kommt.
- Verwenden Sie keine Mehrfachsteckdosen oder Verlängerungskabel.
- Achten Sie darauf, Netzstecker (falls vorhanden) und Netzkabel nicht zu beschädigen. Wenden Sie sich zum Austausch eines beschädigten Netzkabels an unseren autorisierten Kundendienst oder eine Elektrofachkraft.
- Alle Teile, die gegen direktes Berühren schützen, sowie die isolierten Teile müssen so befestigt werden, dass sie nicht ohne Werkzeug entfernt werden können.
- Stecken Sie den Netzstecker erst nach Abschluss der Montage in die Steckdose. Stellen Sie sicher, dass der Netzstecker nach der Montage noch zugänglich ist.
- Falls die Steckdose lose ist, schließen Sie den Netzstecker nicht an.

- Ziehen Sie nicht am Netzkabel, wenn Sie das Gerät von der Stromversorgung trennen möchten. Ziehen Sie stets am Netzstecker.
- Verwenden Sie nur geeignete Trenneinrichtungen: Überlastschalter, Sicherungen (Schraubsicherungen müssen aus dem Halter entfernt werden können), Fehlerstromschutzschalter und Schütze.
- Die elektrische Installation muss eine Trenneinrichtung aufweisen, mit der Sie das Gerät allpolig von der Stromversorgung trennen können. Die Trenneinrichtung muss mit einer Kontaktöffnungsweite von mindestens 3 mm ausgeführt sein.

GEBRAUCH



WARNUNG! Verletzungs-, Verbrennungs- und Stromschlaggefahr.

- Entfernen Sie vor dem ersten Gebrauch das gesamte Verpackungsmaterial, die Aufkleber und Schutzfolie (falls vorhanden).
- Dieses Gerät ist ausschließlich zur Verwendung im Haushalt bestimmt.
- Nehmen Sie keine technischen Änderungen am Gerät vor.
- Die Lüftungsöffnungen dürfen nicht abgedeckt werden.
- Lassen Sie das Gerät bei Betrieb nicht unbeaufsichtigt.
- Schalten Sie die Kochzonen nach jedem Gebrauch aus.
- Legen Sie kein Besteck und keine Topfdeckel auf die Kochzonen. Anderenfalls werden sie sehr heiß.
- Bedienen Sie das Gerät nicht mit feuchten oder nassen Händen oder wenn es mit Wasser in Kontakt gekommen ist.
- Benutzen Sie das Gerät nicht als Arbeits- oder Abstellfläche.
- Hat die Geräteoberfläche einen Sprung, trennen Sie das Gerät umgehend von der Spannungsversorgung. Dies dient zur Vermeidung eines Stromschlags.
- Wenn Sie Nahrungsmittel in heißes Öl geben, kann dieses spritzen.



WARNUNG! Brand- und Explosionsgefahr

- Erhitzte Öle und Fette können brennbare Dämpfe freisetzen. Halten Sie Flammen und erhitzte Gegenstände beim Kochen mit Fetten und Ölen von diesen fern.
- Die von sehr heißem Öl freigesetzten Dämpfe können eine Selbstzündung verursachen.



WARNUNG! Risiko von Schäden am Gerät.

- Stellen Sie kein heißes Kochgeschirr auf das Bedienfeld.
- Legen Sie keine heißen Topfdeckel auf die Glasoberfläche des Kochfeldes.
- Lassen Sie das Kochgeschirr nicht leerkochen.
- Lassen Sie keine Gegenstände oder Kochgeschirr auf das Gerät fallen. Die Oberfläche könnte beschädigt werden.
- Schalten Sie die Kochzonen niemals ein, wenn sich kein Kochgeschirr darauf befindet, oder wenn das Kochgeschirr leer ist.
- Legen Sie keine Alufolie auf das Gerät.
- Kochgeschirr aus Gusseisen, Aluminium oder mit beschädigten Böden kann die Glas- bzw. Glaskeramikoberfläche verkratzen. Heben Sie das Kochgeschirr stets an, wenn Sie es auf der Kochfläche umsetzen möchten.
- Dieses Gerät ist nur zum Kochen bestimmt. Jeder andere Gebrauch ist als bestimmungsfremd anzusehen, zum Beispiel das Beheizen eines Raums.

REINIGUNG UND PFLEGE

- Reinigen Sie das Gerät regelmäßig, um eine Verschlechterung des Oberflächenmaterials zu verhindern.
- Schalten Sie das Gerät vor dem Reinigen aus und lassen Sie es abkühlen.
- Trennen Sie das Gerät vor Wartungsarbeiten von der Spannungsversorgung.
- Reinigen Sie das Gerät nicht mit Wasserspray oder Dampf.
- Reinigen Sie das Geräts mit einem weichen, feuchten Tuch. Verwenden Sie ausschließlich Neutralreiniger. Benutzen Sie keine Scheuermittel, scheuernde Reinigungsschwämmchen, Lösungsmittel oder Metallgegenstände.

SERVICE

- Wenden Sie sich zur Reparatur des Geräts an den autorisierten Kundendienst.
- Verwenden Sie ausschließlich Originalersatzteile.

ENTSORGUNG



WARNUNG! Verletzungs- und Erstickungsgefahr.

- Für Informationen zur ordnungsgemäßen Entsorgung des Geräts wenden Sie sich an die zuständige kommunale Behörde vor Ort.

- Trennen Sie das Gerät von der Stromversorgung.
- Schneiden Sie das Netzkabel in der Nähe des Geräts ab, und entsorgen Sie es.

MONTAGE



WARNUNG! Siehe Kapitel Sicherheitshinweise.

VOR DER MONTAGE

Notieren Sie vor der Montage des Kochfelds folgende Daten, die Sie auf dem Typenschild finden. Das Typenschild ist auf dem Boden des Kochfelds angebracht.

Seriennummer

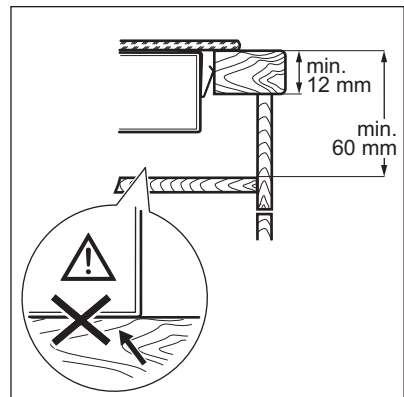
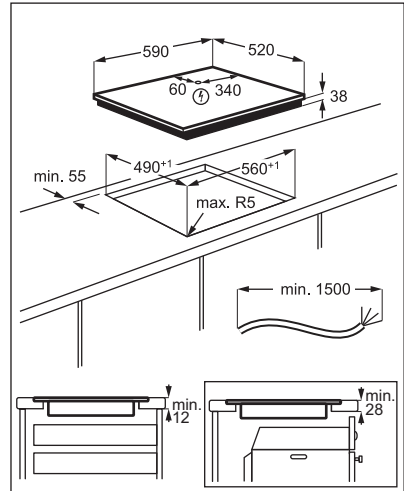
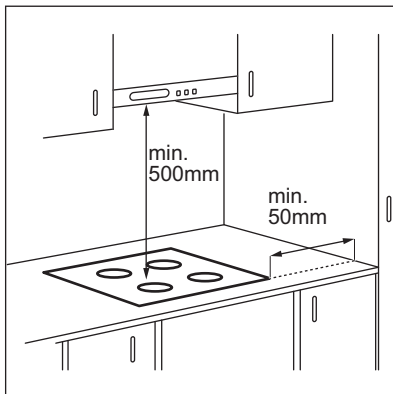
EINBAU-KOCHFELDER

Einbau-Kochfelder dürfen nur nach dem Einbau in normgerechte, passende Einbaumöbel und Arbeitsplatten betrieben werden.

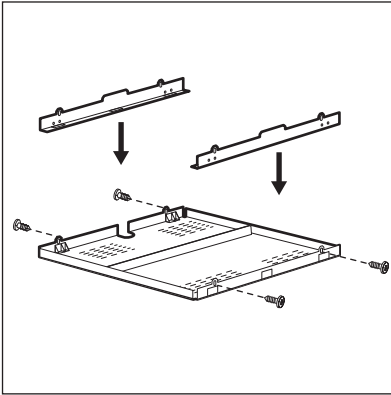
ANSCHLUSSKABEL

- Das Kochfeld wird mit einem Anschlusskabel geliefert.
- Ersetzen Sie ein defektes Netzkabel durch den Kabeltyp H05V2V2-F, der einer Temperatur von mindestens 90 °C standhält. Wenden Sie sich an den Kundendienst vor Ort.

MONTAGE



SCHUTZBODEN



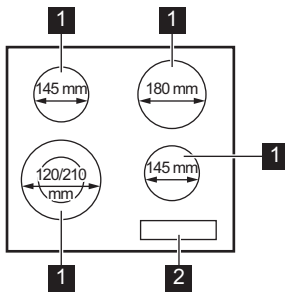
Falls Sie einen Schutzboden (optionales Zubehör) verwenden, ist die Schutzmatte direkt unter dem Gerät nicht nötig. Der Schutzboden ist möglicherweise in einigen Ländern nicht erhältlich. Wenden Sie sich an Ihren Händler vor Ort.



Wenn Sie das Kochfeld über einem Backofen einsetzen, können Sie den Schutzboden nicht verwenden.

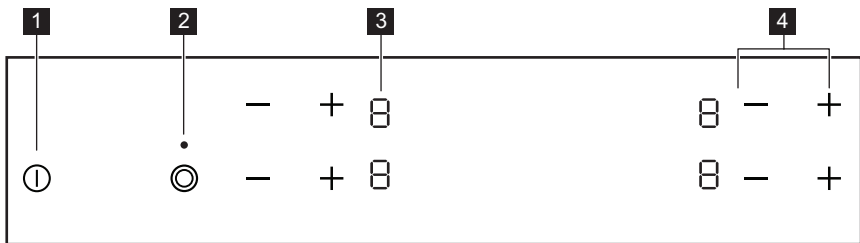
GERÄTEBESCHREIBUNG

KOCHFELDANORDNUNG



- 1** Kochzone
- 2** Bedienfeld

BEDIENFELDANORDNUNG



Bedienen Sie das Gerät über die Sensorfelder. Die Anzeigen, Kontrolllampen und akustischen Signale informieren Sie über die aktiven Funktionen.


	Sensorfeld	Funktion	Kommentar
1	①	EIN/AUS	Ein- und Ausschalten des Kochfeldes.
2	⊙	-	Ein- und Ausschalten des äußeren Kreises.
3	-	Kochstufenanzeige	Zeigt die Kochstufe an.
4	+ / -	-	Einstellen der Kochstufe.

ANZEIGE DER KOCHSTUFEN

Display	Beschreibung
0	Die Kochzone ist ausgeschaltet.
1 - 9	Die Kochzone ist eingeschaltet.
E + Zahl	Eine Störung ist aufgetreten.
H	Eine Kochzone ist noch heiß (Restwärme).
L	Kindersicherung ist eingeschaltet.
-	Abschaltautomatik ist eingeschaltet.

RESTWÄRMEANZEIGE



WARNUNG!  Es besteht Verbrennungsgefahr durch Restwärme.


Die Anzeigen zeigen den Restwärmegrad der Kochzonen an, die Sie gerade verwenden. Die Anzeigen der benachbarten Kochzonen können auch dann leuchten, wenn Sie sie nicht benutzen.

TÄGLICHER GEBRAUCH



WARNUNG! Siehe Kapitel Sicherheitshinweise.

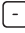
EIN- UND AUSSCHALTEN

Berühren Sie  1 Sekunde lang, um das Kochfeld ein- oder auszuschalten.

ABSCHALTAUTOMATIK

Mit dieser Funktion wird das Kochfeld in folgenden Fällen automatisch ausgeschaltet:

- Alle Kochzonen sind ausgeschaltet,

- Nach dem Einschalten des Kochfelds wird keine Kochstufe gewählt,
- Das Bedienfeld ist mehr als 10 Sekunden mit verschütteten Lebensmitteln oder einem Gegenstand bedeckt (Topf, Tuch usw.). Ein akustisches Signal ertönt und das Kochfeld schaltet ab. Entfernen Sie den Gegenstand oder reinigen Sie das Bedienfeld.
- Eine Kochzone wurde nicht ausgeschaltet bzw. die Kochstufe wurde nicht geändert. Nach einer Weile leuchtet  auf und das Kochfeld schaltet sich aus.

Verhältnis zwischen der Kochstufe und der Zeit, nach der das Kochfeld ausgeschaltet wird:

Kochstufe	Das Kochfeld wird ausgeschaltet nach
1 - 2	6 Std
3 - 4	5 Std
5	4 Std
6 - 9	1,5 Stunden

EINSTELLEN DER KOCHSTUFE

Berühren Sie **+**, um die Kochstufeneinstellung zu erhöhen. Berühren Sie **-**, um die Kochstufeneinstellung zu verringern. Berühren Sie zum Ausschalten der Kochzone **+** und **-** gleichzeitig.

EIN- UND AUSSCHALTEN DER ÄUSSEREN HEIZKREISE

Die Kochflächen können an die Größe des Kochgeschirrs angepasst werden.

Verwenden Sie das Sensorfeld: 

Einschalten des äußeren Heizkreises:

Berühren Sie das Sensorfeld. Die Kontrolllampe leuchtet auf.


Ausschalten des äußeren Heizkreises:

Berühren Sie das Sensorfeld, bis die Kontrolllampe erlischt.

KINDERSICHERUNG


Diese Funktion verhindert ein versehentliches Einschalten des Kochfelds.

Zum Starten der Funktion: Schalten Sie das

Kochfeld mit  ein. Stellen Sie keine Kochstufe ein. Berühren Sie **—** der beiden vorderen

Kochzonen gleichzeitig 4 Sekunden lang. 

leuchtet. Schalten Sie das Kochfeld mit  aus.

Zum Ausschalten der Funktion: Schalten Sie das Kochfeld mit  ein. Stellen Sie keine


Kochstufe ein. Berühren Sie **—** der beiden vorderen Kochzonen gleichzeitig 4 Sekunden lang.

 leuchtet. Schalten Sie das Kochfeld mit  aus.

Vorübergehendes Ausschalten der Funktion für einen einzelnen Kochvorgang: Schalten Sie

das Kochfeld mit  ein.  leuchtet. Berühren Sie

— der beiden vorderen Kochzonen gleichzeitig 4 Sekunden lang. **Stellen Sie die Kochstufe**

innerhalb von 10 Sekunden ein. Das Kochfeld kann jetzt bedient werden. Wenn Sie das Kochfeld mit  ausschalten, wird diese Funktion wieder eingeschaltet.

TIPPS UND HINWEISE



WARNUNG! Siehe Kapitel Sicherheitshinweise.



Kochgeschirr aus Stahlemaille oder mit Aluminium- oder Kupferböden kann Verfärbungen der Glaskeramikoberfläche verursachen.

KOCHGESCHIRR



Der Boden des Kochgeschirrs sollte so dick und flach wie möglich sein. Stellen Sie sicher, dass die Topfböden sauber sind, bevor Sie sie auf das Kochfeld stellen.

ANWENDUNGSBEISPIELE FÜR DAS GAREN



Bei den Angaben in der folgenden Tabelle handelt es sich um Richtwerte.

Kochstufe	Verwendung:	Dauer (Min.)	Hinweise
1	Warmhalten von gegarten Speisen.	Nach Bedarf	Legen Sie einen Deckel auf das Kochgeschirr.

Kochstufe	Verwendung:	Dauer (Min.)	Hinweise
1 - 2	Sauce Hollandaise, Schmelzen von: Butter, Schokolade, Gelatine.	5 - 25	Gelegentlich umrühren.
1 - 2	Stocken: Lockere Omeletts, gebackene Eier.	10 - 40	Mit Deckel garen.
2 - 3	Köcheln von Reis und Milchgerichten, Erhitzen von Fertiggerichten.	25 - 50	Mindestens doppelte Menge Flüssigkeit zum Reis geben, Milchgerichte nach der Hälfte der Zeit umrühren.
3 - 4	Dünsten von Gemüse, Fisch, Fleisch.	20 - 45	Einige Esslöffel Flüssigkeit zugeben.
4 - 5	Dampfgaren von Kartoffeln.	20 - 60	Max. ¼ l Wasser für 750 g Kartoffeln verwenden.
4 - 5	Kochen größerer Speisemengen, Eintopfgerichte und Suppen.	60 - 150	Bis zu 3 l Flüssigkeit plus Zutaten.
6 - 7	Bei geringer Hitze anbraten: Schnitzel, Cordon bleu, Kotelett, Frikadellen, Bratwürste, Leber, Mehlschwitze, Eier, Pfannkuchen, Donuts.	Nach Bedarf	Nach der Hälfte der Gardauer wenden.
7 - 8	Braten bei starker Hitze: Rösti, Lendenstücke, Steaks.	5 - 15	Nach der Hälfte der Gardauer wenden.
9	Aufkochen von Wasser, Nudeln kochen, Anbraten von Fleisch (Gulasch, Schmorbraten), Frittieren von Pommes frites.		

REINIGUNG UND PFLEGE



WARNUNG! Siehe Kapitel Sicherheitshinweise.

ALLGEMEINE INFORMATIONEN

- Reinigen Sie das Kochfeld nach jedem Gebrauch.
- Verwenden Sie stets Kochgeschirr mit sauberen Böden.
- Kratzer oder dunkle Flecken auf der Oberfläche beeinträchtigen die Funktionsfähigkeit des Kochfelds nicht.
- Verwenden Sie einen Spezialreiniger zur Reinigung der Kochfeldoberfläche.
- Verwenden Sie einen speziellen Reinigungsschaber für Glas.

REINIGEN DES KOCHFELDS

- **Folgendes muss sofort entfernt werden:** Geschmolzener Kunststoff, Plastikfolie, Zucker und zuckerhaltige Lebensmittel. Anderenfalls können die Verschmutzungen das Kochfeld beschädigen. Achten Sie darauf, dass sich niemand Verbrennungen zuzieht. Den speziellen Reinigungsschaber schräg zur Glasfläche ansetzen und über die Oberfläche bewegen.
- **Folgendes kann nach ausreichender Abkühlung des Kochfelds entfernt werden:** Kalk- und Wasserränder, Fettspritzer und metallisch schimmernde Verfärbungen. Reinigen Sie das Kochfeld mit einem feuchten Tuch und nicht scheuernden Reinigungsmittel. Wischen Sie das Kochfeld nach der Reinigung mit einem weichen Tuch trocken.
- **Entfernen Sie metallisch schimmernde Verfärbungen:** Benutzen Sie für die Reinigung


der Glasoberfläche ein mit einer Lösung aus Essig und Wasser angefeuchtetes Tuch.





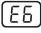
FEHLERSUCHE



WARNUNG! Siehe Kapitel Sicherheitshinweise.

WAS TUN, WENN...

Störung	Mögliche Ursache	Abhilfe
Das Kochfeld kann nicht eingeschaltet oder bedient werden.	Das Kochfeld ist nicht oder nicht ordnungsgemäß an die Spannungsversorgung angeschlossen.	Prüfen Sie, ob das Kochfeld ordnungsgemäß an die Spannungsversorgung angeschlossen ist. Nehmen Sie dazu den Anschlussplan zu Hilfe.
	Die Sicherung ist durchgebrannt.	Vergewissern Sie sich, dass die Sicherung der Grund für die Störung ist. Brennt die Sicherung wiederholt durch, wenden Sie sich an eine zugelassene Elektrofachkraft.
	Sie haben die Kochstufe nicht innerhalb von 10 Sekunden eingestellt.	Schalten Sie das Kochfeld erneut ein und stellen Sie innerhalb von 10 Sekunden die Kochstufe ein.
	Zwei oder mehr Sensorfelder wurden gleichzeitig berührt.	Berühren Sie nur ein Sensorfeld.
	Auf dem Bedienfeld befinden sich Wasser- oder Fettspritzer.	Wischen Sie das Bedienfeld ab.
Ein akustisches Signal ertönt und das Kochfeld schaltet ab. Wenn das Kochfeld ausgeschaltet wird, ertönt ein akustisches Signal.	Mindestens ein Sensorfeld wurde bedeckt.	Entfernen Sie den Gegenstand von den Sensorfeldern.
Das Kochfeld wird ausgeschaltet.	Sie haben etwas auf das Sensorfeld  gestellt.	Entfernen Sie den Gegenstand vom Sensorfeld.
Die Restwärmeanzeige funktioniert nicht.	Die Kochzone ist nicht heiß, da sie nur kurze Zeit in Betrieb war oder der Sensor ist beschädigt.	War die Kochzone lange genug eingeschaltet, um heiß zu sein, wenden Sie sich an den autorisierten Kundendienst.
Der äußere Heizkreis lässt sich nicht einschalten.		Schalten Sie zuerst den inneren Heizkreis durch Ändern der Kochstufe ein.

Störung	Mögliche Ursache	Abhilfe
 In der Mehrkreis-Kochzone befindet sich ein dunkler Bereich.	Es ist normal, dass sich in der Mehrkreis-Kochzone ein dunkler Bereich befindet.	
Die Sensorfelder werden heiß.	Das Kochgeschirr ist zu groß, oder Sie haben es zu nahe an die Bedienelemente gestellt.	Stellen Sie großes Kochgeschirr nach Möglichkeit auf die hinteren Kochzonen.
 leuchtet auf.	Kindersicherung ist eingeschaltet.	Siehe „Täglicher Gebrauch“.
 und eine Zahl werden angezeigt.	Es ist ein Fehler im Kochfeld aufgetreten.	Schalten Sie das Kochfeld aus und nach 30 Sekunden wieder ein. Wenn  erneut erscheint, trennen Sie das Kochfeld von der Spannungsversorgung. Schalten Sie nach 30 Sekunden das Kochfeld wieder ein. Tritt das Problem weiterhin auf, wenden Sie sich an den autorisierten Kundendienst.
Es ist ein konstanter Piepton zu hören.	Unsachgemäßer elektrischer Anschluss.	Trennen Sie das Kochfeld von der Stromversorgung. Wenden Sie sich an eine Elektrofachkraft zur Überprüfung der Installation.
 leuchtet auf.	Die zweite Phase der Spannungsversorgung ist nicht vorhanden.	Prüfen Sie, ob das Kochfeld ordnungsgemäß an die Spannungsversorgung angeschlossen ist. Nehmen Sie die Sicherung heraus, warten Sie eine Minute und setzen Sie die Sicherung wieder ein.

WENN SIE DAS PROBLEM NICHT LÖSEN KÖNNEN...

Wenn Sie das Problem nicht selbst lösen können, wenden Sie sich an Ihren Händler oder einen autorisierten Kundendienst. Geben Sie die Daten, die Sie auf dem Typenschild finden, an. Geben Sie dabei den dreistelligen Buchstaben-Code für die Glaskeramik (befindet sich in der Ecke der Glasfläche) und die angezeigte Fehlermeldung an.

Vergewissern Sie sich, dass Sie das Kochfeld korrekt bedient haben. Wenn Sie das Gerät falsch bedient haben, fällt auch während der Garantiezeit für die Reparatur durch einen Techniker oder Händler eine Gebühr an. Die Informationen zum Kundendienst und die Garantiebedingungen finden Sie im Garantieheft.

TECHNISCHE DATEN

TYPENSCHILD

Modell ZHRN642K
Typ 60 HAD 03 AO

Ser. Nr.
ZANUSSI

Produkt-Nummer (PNC) 949 492 407 00
220 - 240 V/400 V 2N 50 - 60 Hz
Made in Romania

6,4 kW


TECHNISCHE DATEN DER KOCHZONEN

Kochzone	Nennleistung (höchste Kochstufe) [W]	Durchmesser der Kochzone [mm]
Vorne links	750 / 2200	120 / 210
Hinten links	1200	145
Vorne rechts	1200	145
Hinten rechts	1800	180

Verwenden Sie für optimale Kochergebnisse kein Kochgeschirr, dessen Durchmesser größer als der der Kochzone ist.

ENERGIEEFFIZIENZ

PRODUKTINFORMATIONEN GEMÄSS EU 66/2014, NUR GÜLTIG FÜR DEN EU-MARKT

Modellidentifikation		ZHRN642K
Kochfeldtyp		Einbau-Kochfeld
Anzahl der Kochzonen		4
Heiztechnologie		Kochzone mit Strahlungsbeheizung
Durchmesser der kreisförmigen Kochzonen (Ø)	Vorne links Hinten links Vorne rechts Hinten rechts	21,0 cm 14,5 cm 14,5 cm 18,0 cm
Energieverbrauch pro Kochzone (EC electric cooking)	Vorne links Hinten links Vorne rechts Hinten rechts	200,1 Wh/kg 188,0 Wh/kg 188,0 Wh/kg 191,6 Wh/kg
Energieverbrauch des Kochfelds (EC electric hob)		191,9 Wh/kg


EN 60350-2 - Elektrische Kochgeräte für den Hausgebrauch - Teil 2: Kochfelder - Verfahren zur Messung der Gebrauchseigenschaften


ENERGIE SPAREN

Beachten Sie folgende Tipps, um beim täglichen Kochen Energie zu sparen.

- Wenn Sie Wasser erwärmen, verwenden Sie nur die benötigte Menge.
 - Decken Sie Kochgeschirr, wenn möglich, mit einem Deckel ab.
 - Stellen Sie Kochgeschirr auf die Kochzone, bevor Sie sie einschalten.
- Der Boden des Kochgeschirrs sollte denselben Durchmesser wie die Kochzone haben.
 - Stellen Sie kleineres Kochgeschirr auf die kleineren Kochzonen.
 - Stellen Sie das Kochgeschirr mittig auf die Kochzone.
 - Nutzen Sie die Restwärme, um die Speisen warm zu halten oder zu schmelzen.

UMWELTTIPPS

Recyclen Sie Materialien mit dem Symbol . Entsorgen Sie die Verpackung in den entsprechenden Recyclingbehältern. Recyclen Sie zum Umwelt- und Gesundheitsschutz elektrische und elektronische Geräte. Entsorgen Sie Geräte

mit diesem Symbol  nicht mit dem Hausmüll. Bringen Sie das Gerät zu Ihrer örtlichen Sammelstelle oder wenden Sie sich an Ihr Gemeindeamt.

WWW.ZANUSSI.COM/SHOP



CE

867357325-A-392019