

### DIGITAL RADIO DAB/FM

Operating Instructions GB  
Mode d'emploi FR

DAB DAB+

RDS

©2017 Sony Corporation Printed in China

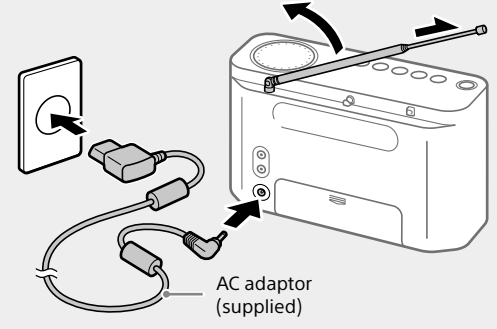
http://www.sony.net/

XDR-S61D

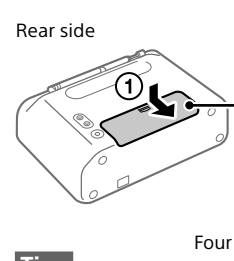
## Getting Started

**1** Connect the AC adaptor or insert four batteries. Then, extend the antenna.

When the AC adaptor is connected, even if batteries are inserted, the power source will automatically switch from batteries to AC power.



**To use the unit on batteries**



To use the unit on battery power, unplug the connector of the AC adaptor from the DC IN jack. The unit cannot be powered by batteries if the connector of the AC adaptor is plugged into the DC IN jack.

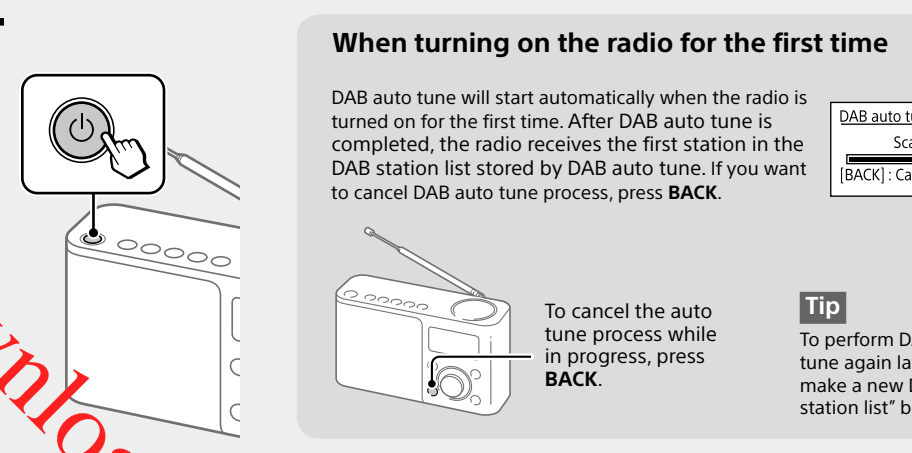
Insert the (+) side of the battery first.

Four LR6 (size AA) batteries (not supplied)

**Tips**

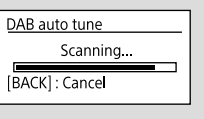
- The backlight will turn off if no operation is performed for about 30 seconds to minimize power consumption.
- Alkaline batteries are recommended. The use of manganese batteries is not recommended, since this type of battery has an extremely short usage time.

**2** Turn on the radio.



**When turning on the radio for the first time**

DAB auto tune will start automatically when the radio is turned on for the first time. After DAB auto tune is completed, the radio receives the first station in the DAB station list stored by DAB auto tune. If you want to cancel DAB auto tune process, press **BACK**.



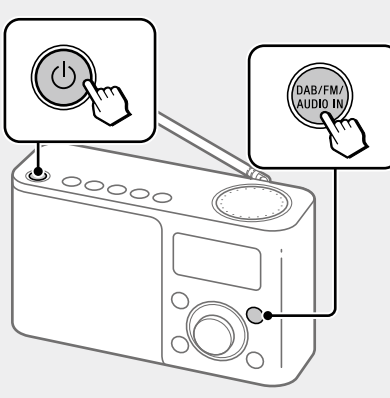
**Tip** To cancel the auto tune process while in progress, press **BACK**.

**Tip** To perform DAB auto tune again later, see "To make a new DAB/FM station list" below.

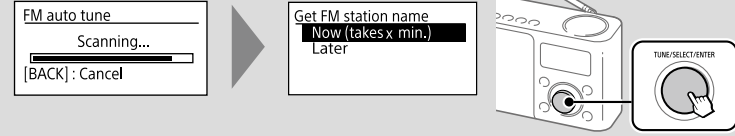
## Listening to the Radio

See "Setup menu options" for manual tuning.

**1** Turn on the radio, and then select the DAB or FM function.



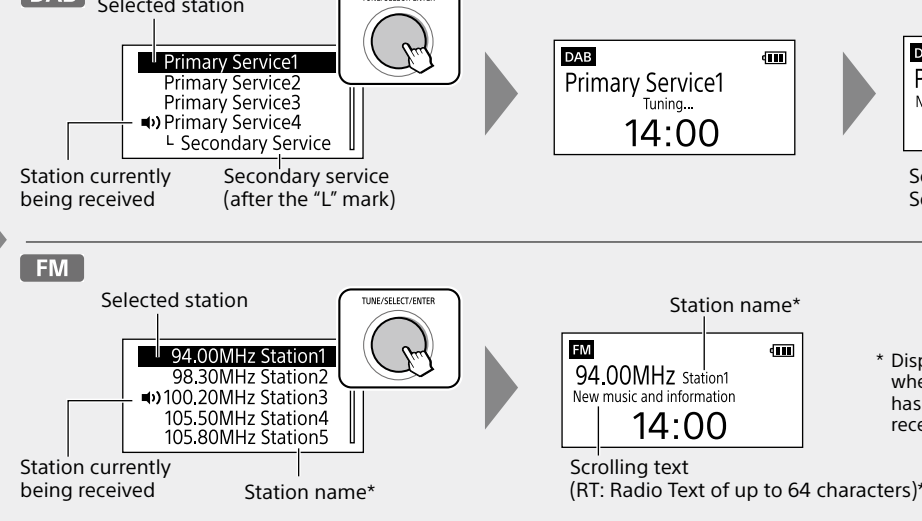
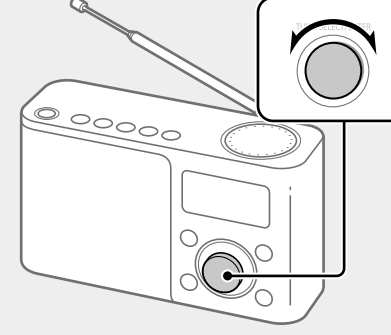
**When selecting the FM function for the first time**  
FM auto tune will start automatically when the FM function is selected for the first time.



- Tips**
- Even if you select "Later" on the "Get FM station name" screen, FM station names will be received and stored in the unit while you are listening to broadcasts.
  - FM station names may not be transmitted, depending on the station.

**2** Select the desired station or service.

Turn TUNE/SELECT/ENTER clockwise or counterclockwise to make a selection.



**About the FM auto tune process**

You can cancel the FM auto tune process that starts after the FM function is selected for the first time. However, if you want to tune to stations by station list, you will need to perform FM auto tune. For details on how to perform FM auto tune later, see "To make a new DAB/FM station list."

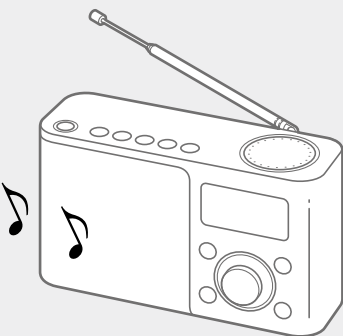
**Tip** To cancel the auto tune process while in progress, press **BACK**.

## Assigning Stations to the Preset Buttons

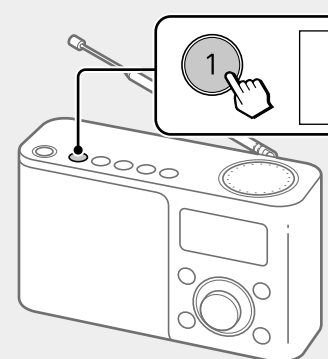
Assign your favourite stations to the 5 preset buttons. You can assign up to 5 stations each for DAB and FM functions.

**1** Tune to the station you want to preset.

Follow the steps in "Listening to the Radio" above.



**2** Press and hold the desired preset button (1 - 5) until "Station saved to preset x." appears on the display.



Example: Assigning a station to the preset button 1.

To assign other stations to the rest of the preset buttons, repeat the same procedure.

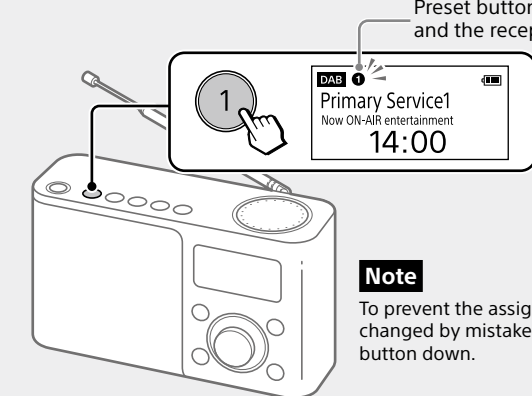
**To change button assignment**

- Tune to a new station.
- Press and hold the preset button you want to change until "Station saved to preset x." appears on the display. The previously assigned station on the selected button will be replaced by the new one.

**Tip** The button assignment information remains in the radio's memory even after DAB and FM auto tunes are performed.

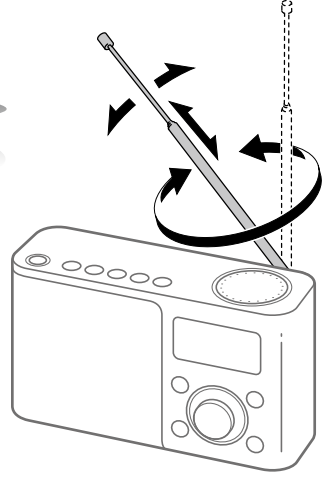
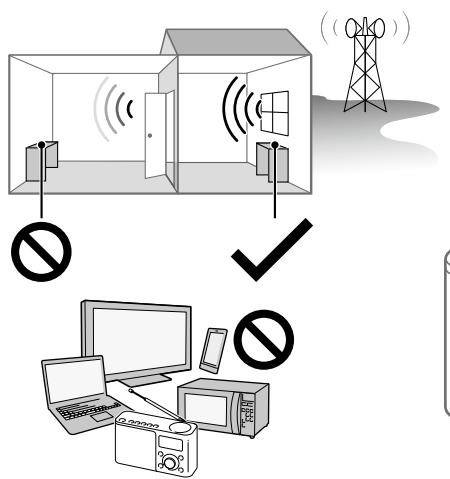
## Listening to an Assigned Station

Press the desired preset button (1 - 5).



**Note** To prevent the assigned station from being changed by mistake, do not hold the preset button down.

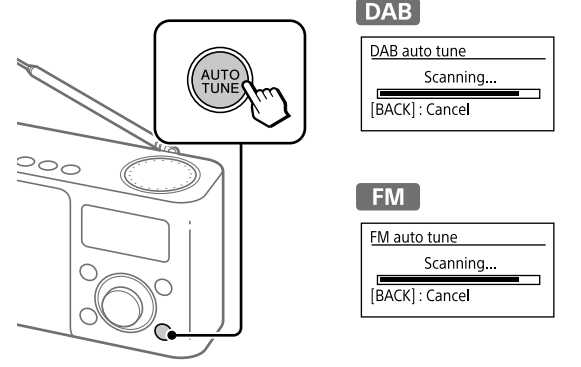
**To improve DAB/FM radio reception**



**Note** When adjusting the antenna, be sure to hold it by the bottom part. The antenna may be damaged if you move it with excessive force while holding it by the upper part.

**To make a new DAB/FM station list**

If you have moved to another region, perform DAB and FM auto tunes again. Select the DAB or FM function, then press **AUTO TUNE**.



The radio receives the first station in the new station list.

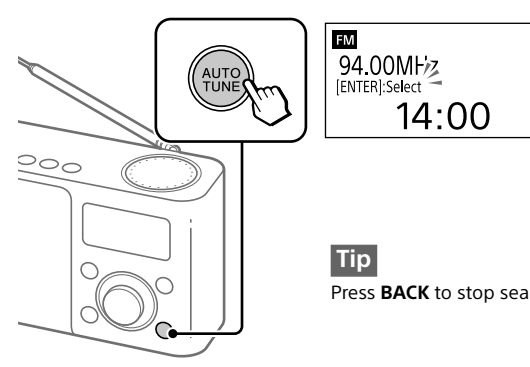
**Notes**

- The currently stored station list will be cleared once the auto tune process starts.
- When the setup menu is displayed, auto tune will not be performed even if **AUTO TUNE** is pressed.

**Note on FM auto tuning**  
Be sure to select "By station list" in "FM tune mode" before starting FM auto tune. When "Manual tune" is selected, scan tuning will start instead. See "Setup menu options" for details.

**To tune to FM stations automatically (frequency scan tuning)**

You can tune to receivable FM stations automatically by scanning FM frequencies in increments of 0.05 MHz. Select the FM function, then press **AUTO TUNE**. Be sure to select "Manual tune" in "FM tune mode" before using this function.

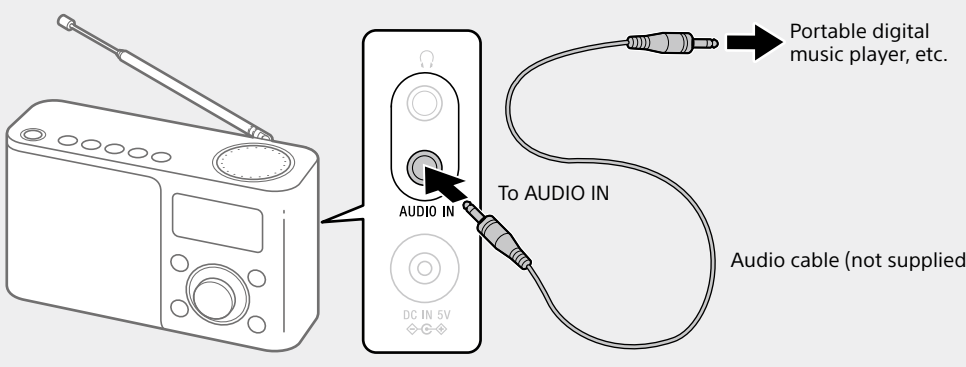


If a receivable station is found, "ENTER>Select" appears on the display. Press **TUNE/SELECT/ENTER** to select the station. (If you do not press **TUNE/SELECT/ENTER** within 3 seconds, searching will continue.)

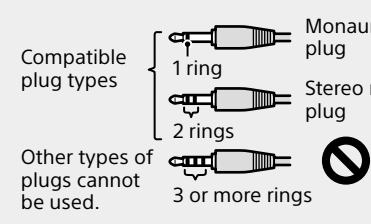
**Tip** Press **BACK** to stop searching FM stations.

## Listening to Audio from an External Device

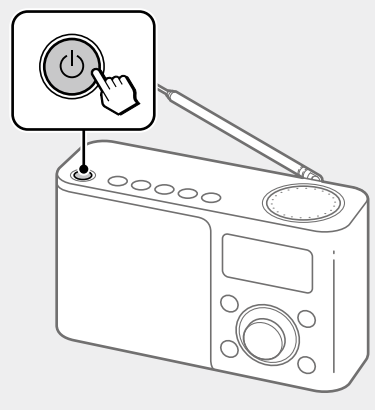
**1** Connect the external device to the radio.



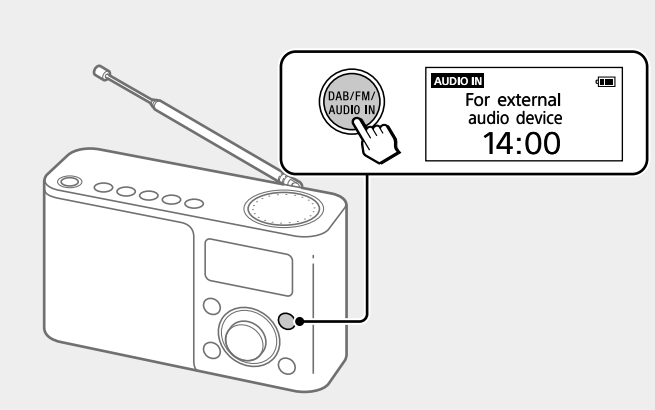
**Note** When connecting an external device to the unit, use audio cable with a stereo (3-pole) or monaural (2-pole) mini plug. If you use another type of plug, there may be noise interference or no sound may be heard.



**2** Turn on the radio.

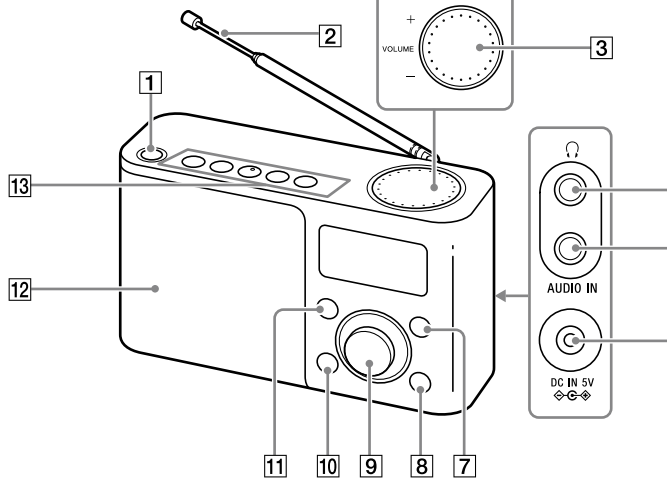


**3** Select the AUDIO IN function.



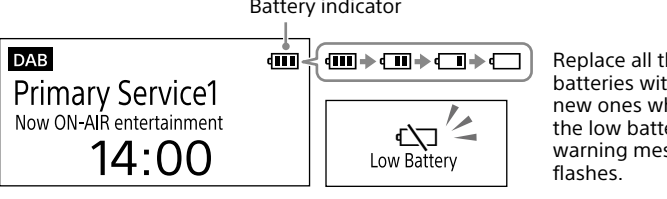
Start playing your selection on the connected device.

## Guide to parts and controls



- (power) button
- Antenna
- VOLUME control dial
- (headphones) jack
- AUDIO IN jack
- DC IN jack
- DAB/FM/AUDIO IN button
- AUTO TUNE button
- TUNE/SELECT/ENTER control dial
- BACK button
- MENU button
- Speaker
- Preset buttons\*

**Battery indicator**  
Battery indicator lights up when using the unit on batteries. The remaining battery power is displayed in 5 levels.



### Sleep

The radio automatically turns off after a set time has elapsed. Select the desired timer setting (minutes) from the following:  
**Off** (deactivated)/15 min./30 min./45 min./60 min.  
When the sleep timer is set, "SLEEP" lights up on the display.

### Information DAB

Displays information for the station to which you are listening. Turn TUNE/SELECT/ENTER clockwise or counterclockwise to scroll through the following information:

**Channel:** Channel and frequency (See the DAB frequency table in "Specifications.")

**Multiplex name:** Ensemble label (up to 16 characters long)

**Service name:** Station name

**PTY:** PTY label (See "PTY (programme type)" in "Specifications.")

**Bit rate:** Bit rate

**Signal level:** Displays the signal level for the DAB station to which you are listening, ranging from 0 (no signal) to 100 (maximum signal).

**Note** If there is no ensemble label or no station name, the space for label or name will be blank. If there is no PTY label, "No PTY" will appear on the display.

### FM tune mode FM

Select the tuning mode for FM.

**By station list:** You can select the desired station from the list of FM stations stored by auto tune.

When selecting this option, the display will change to the FM station list. Select the desired station from the list.

**Manual tune:** You can manually tune to the desired FM frequency in 0.05 MHz steps. Turn TUNE/SELECT/ENTER clockwise or counterclockwise to tune to the desired frequency. In "Manual tune" mode, you can use the scan tuning function (See "To tune to FM stations automatically (frequency scan tuning)" for details.)

### Edit FM station list FM

You can edit the FM station list.

**Get FM station name:** Perform this operation when you want to receive RDS information such as station names. Select "OK" to start scanning for RDS data.

**Notes**

- Set "FM tune mode" to "By station list" before you perform this operation.
- The currently stored RDS information will be cleared once scanning starts.
- It may take a long time to receive all the available RDS data.

### Delete FM station:

You can delete any unwanted stations from the FM station list.

**1** Turn TUNE/SELECT/ENTER clockwise or counterclockwise to select the station you want to delete, and then press it to confirm.

**2** Turn TUNE/SELECT/ENTER clockwise or counterclockwise to select "OK," and then press it to confirm.

**Add FM station:** When listening to a station not included in the FM station list, select "OK" to add the station to the list. Be sure to set "FM tune mode" to "Manual tune" before using this option.

### Backlight

**Auto:** The backlight will turn off automatically if no operation is performed for 30 seconds.

**Always ON:** The backlight will be on all the time.

### Time

**Set time:** "Auto (DAB)" is set by default. This enables the clock to synchronize with the DAB data being received. Select "Time setting" to set the clock manually by using TUNE/SELECT/ENTER.

**12H/24H:** Select the clock display mode, 12-hour clock or 24-hour clock.

### Beep

Select "On" to activate the beep sound when you operate the radio.

### DAB manual tune DAB

If the reception is poor and receivable DAB stations cannot be completely stored by DAB auto tune, try manual tuning.

Turn TUNE/SELECT/ENTER clockwise or counterclockwise to select the desired DAB channel, and then press it to confirm.

The radio starts scanning for receivable stations in the selected channel.

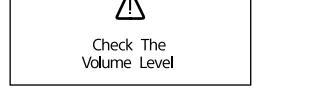
**Tip** The new station received by manual tuning is stored in the DAB station list.

### Initialize

Select "OK" to initialize the radio to the factory default settings. All settings, DAB and FM station lists and assignment information on the preset buttons will be deleted.

### Maintaining the moderate volume level

The radio limits the maximum volume to allow you to listen to the sound at a moderate volume level when using the headphones. When you try to adjust the volume to a level that exceeds the specified level, the "Check The Volume Level" message appears.



### Note

The volume is lowered automatically and the "Volume Lowered" message appears, if you do not lower the volume for the specified period of time after the "Check The Volume Level" message appears.

## About RDS Features

**What is RDS?**

Introduced by the European Broadcasting Union (EBU) in 1987, the Radio Data System (RDS) allows information such as station names to be received via the 57 kHz sub-carrier signal of FM broadcasts. However, the availability of RDS data varies depending on the area. It therefore may not be always possible to receive RDS information.

**Using the RDS functions**  
This radio supports the following RDS functions.

RDS function	Description
Station name	Displays the station name you are listening to.
RT (radio text)	Displays the free-form textual information.

**Notes**

- The RDS functions will not be activated if the FM station being received is not transmitting RDS data. They may also not work properly in areas where RDS transmissions are in the experimental stage.
- If the radio signal being received is weak, it may take time to receive the RDS data.

## Precautions

- Operate the unit only on the power sources specified in "Specifications." For battery operation, it is recommended that you use four LR6 (size AA) alkaline batteries. For AC operation, use only the supplied AC adaptor. Do not use any other type of AC adaptor.
- Failure to use the supplied AC adaptor may cause the unit to malfunction, as the polarity of the plugs of other manufacturers may be different.

- To use the unit on battery power, unplug the connector of the AC adaptor from the DC IN jack. The unit cannot be powered by batteries if the connector of the AC adaptor is plugged into the DC IN jack.
- Use the unit within a temperature range of 0°C to 40°C. If it is used in temperatures higher than this range, the display may gradually turn black. If it is used in temperatures lower than this range, the display may change very slowly. (These irregularities will disappear and there will be no damage to the unit when the unit is used in the recommended temperature range again.)
- Avoid exposure to temperature extremes, direct sunlight, moisture, sand, dust or mechanical shock. Never leave in a car parked in the sun.
- Do not use the unit to strong impact or excessive force. A glass material is used for the display in some models. If the glass chips or cracks, it may cause injury. In that case, stop using the unit immediately and make sure not to touch the damaged parts.
- Should any solid object or liquid fall into the unit, disconnect the AC adaptor and remove the batteries, and have the unit checked by a qualified personnel before operating it any further.
- Since a strong magnet is used for the speakers, keep personal credit cards using magnetic coding or spring-wound watches away from the unit to prevent possible damage from the magnetism.
- To clean the casing, use a soft dry cloth. Do not use any type of solvent, such as alcohol or benzene, which may damage the finish.
- Do not operate the unit with wet hands since it may cause a short circuit.
- Do not mix an old battery with a new one or mix different types of batteries.
- When you are not going to use the unit for a long time, remove the batteries to avoid damage from battery leakage and corrosion.
- Check if the batteries are inserted in the correct orientation (☉ and ☾) when the chips or cracks, it may cause injury. In that case, stop using the unit immediately and make sure not to touch the damaged parts.
- Batteries have a recommended use-by date for proper use. When using expired batteries, battery life will be extremely short. Check the use-by date on the batteries and if they are expired, replace them with new ones.

- Make sure not to splash water on the unit. This unit is not waterproof.
- Under certain circumstances, especially when the air is very dry, it is not uncommon to experience a discharge of static electricity, or shock, when your body comes in contact with another object. In this case the ear buds touching your eardrums. The energy from this natural discharge is extremely small and is not emitted by your product but rather a natural environmental occurrence.
- Listening at high volume levels over extended periods of time may harm your hearing. Be particularly careful when listening through headphones.
- Sudden loud output may harm your ears. Increase the volume gradually. Be particularly careful when listening through headphones.
- Do not use headphones while walking, driving a car or motorcycle, cycling, etc. A traffic accident may result.
- Do not use headphones in situations where being unable to hear ambient sound is dangerous, such as at railroad crossings, on train station platforms, and at construction sites.
- Excessive sound pressure from earphones and headphones can cause hearing loss.

**If you have any questions or problems concerning your unit, please consult your nearest Sony dealer.**

## Troubleshooting

Should any problem persist after you have made the following checks, consult your nearest Sony dealer.

### Display is dim, or no indication is displayed.

- The radio is being used in extremely high or low temperatures or in a place with excessive moisture.

**Very weak or interrupted sound, or unsatisfactory reception.**

- If you are in a building, listen near a window.
- Extend the antenna and adjust the length and the angle for best reception. See "To improve DAB/FM radio reception" for details.
- If a mobile phone is placed close to the radio, a loud noise may be heard from the radio. Keep the phone away from the radio.

**Battery gets exhausted very quickly.**

- Check the estimated battery life described in "Specifications" and be sure to turn off the radio when not using it.

## Messages

**Low Battery (flashes, and the power is turned off)**  
The batteries are exhausted. Replace all the batteries with new ones.

**No preset**  
No station in the selected band (DAB or FM) has been preset to the preset button.

**Service not available**  
The selected station or service is currently not broadcasting.

## Specifications

**Frequency range**  
DAB (Band-III): 174.928 MHz ~ 239.200 MHz  
RF: 87.5 MHz ~ 108 MHz (0.05 MHz step)

**DAB (Band-III) frequency table (MHz)**

Channel	Frequency	Channel	Frequency
5A	174.928	10A	209.936
5B	176.640	10B	211.648
5C	178.352	10C	213.360
5D	180.064	10D	215.072
6A	181.928	11A	216.928
6B	183.548	11B	218.548
6C	185.360	11C	220.352
6D	187.072	11D	222.064
7A	188.928	12A	223.936
7B	190.640	12B	225.648
7C	192.352	12C	227.360
7D	194.064	12D	229.072
8A	195.936	13A	230.784
8B	197.648	13B	232.496
8C	199.360	13C	234.208
8D	201.072	13D	235.920
9A	202.928	13E	237.488
9B	204.640	13F	239.200
9C	206.352		
9D	208.064		

**Speaker:** Approx. 80 mm dia., 4 Ω, monaural  
**Audio power output:** 1.5 W  
**Output:** (headphones) jack (ø 3.5 mm, stereo mini jack)

**Input:** AUDIO IN jack (ø 3.5 mm, stereo mini jack)

**Power requirements:** V DC, four LR6 (size AA) alkaline batteries

**External power source:** DC IN 5 V 0.7 A

**Battery life (JEITA)**  
DAB reception: Approx. 17 hours (using Sony (LR6SG) alkaline batteries)  
FM reception: Approx. 17 hours (using Sony (LR6SG) alkaline batteries)  
Approx. 7 hours (using Sony (NH-AA) Ni-MH 1,000 mAh batteries)  
AUDIO IN input: Approx. 28 hours (using Sony (LR6SG) alkaline batteries)  
Approx. 11 hours (using Sony (NH-AA) Ni-MH 1,000 mAh batteries)  
**Dimensions:** Approx. 227 mm x 139 mm x 95 mm (W/H/D) (incl. projecting parts)  
**Mass:** Approx. 1,040 g (incl. batteries)

**Supplied accessories:** AC adaptor (1)

\* When "Auto" is selected for the backlight setting and listening through the speaker. Measured by JEITA (Japan Electronics and Information Technology Industries Association) standards. The actual battery life varies significantly depending on battery type, usage and circumstances.

**Design and specifications are subject to change without notice.**

**PTY (programme type)**

This function indicates services in programme type, such as News or Sports, transmitted in the DAB.

If the service does not transmit the programme type, "No PTY" appears.

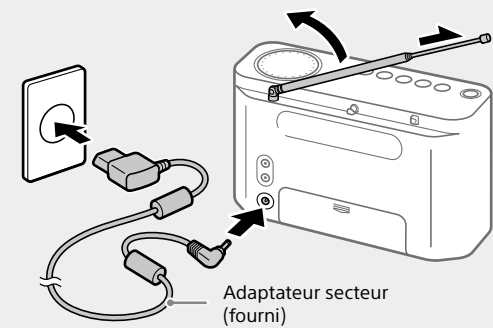
Programme type	Display
No programme type	No PTY
News	News
Current Affairs	Current Affairs
Information	Information
Sport	Sport
Education	Education
Drama	Drama
Culture	Arts
Science	Science
Varied	Talk
Pop Music	Pop Music



# Mise en route

## 1 Raccordez l'adaptateur secteur ou insérez quatre piles. Ensuite, déployez l'antenne.

Lorsque l'adaptateur secteur est connecté, même si des piles sont insérées, la source d'alimentation passe automatiquement des piles au secteur.



## Pour utiliser l'appareil sur piles



Pour utiliser l'unité sur piles, débranchez le connecteur de l'adaptateur secteur de la prise DC IN. Il est impossible de faire fonctionner l'unité sur piles si le connecteur de l'adaptateur secteur est raccorder à la prise DC IN.

Insérez d'abord le côté **(+)** de la pile.

Quatre piles LR6 (format AA) (non fournies)

### Astuces

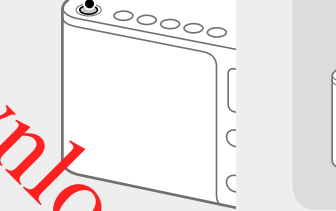
- Le rétroéclairage s'éteint si aucune opération n'est effectuée pendant environ 30 secondes, afin de réduire la consommation d'énergie.
- Il est recommandé d'utiliser des piles alcalines. L'utilisation de piles au manganèse n'est pas recommandée car ce type de pile a une durée de vie extrêmement limitée.

## 2 Allumez la radio.



## Lorsque vous allumez la radio pour la première fois

La synchronisation automatique DAB démarre automatiquement lors de la première mise sous tension de la radio. Une fois la synchronisation automatique DAB terminée, la radio reçoit la première station dans la liste des stations DAB mémorisées par la synchronisation automatique DAB. Si vous souhaitez annuler le processus de synchronisation automatique DAB, appuyez sur **BACK**.



Pour annuler le processus de synchronisation automatique en cours, appuyez sur **BACK**.

Pour réafficher ultérieurement la synchronisation automatique DAB, voir « Pour créer une nouvelle liste de stations DAB/FM » ci-dessous.

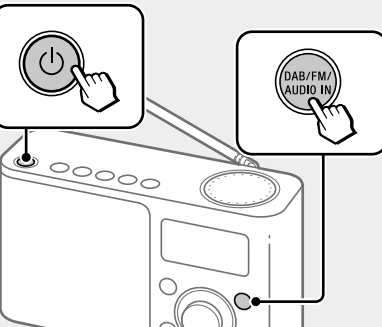
### Astuce

Pour annuler le processus de synchronisation automatique en cours, appuyez sur **BACK**.

# Écouter la radio

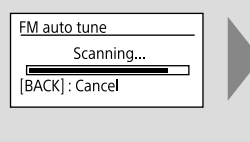
Pour des instructions sur la synchronisation manuelle, voir « Options du menu de configuration ».

## 1 Allumez la radio, puis sélectionnez la fonction DAB ou FM.



## Lorsque vous sélectionnez la fonction FM pour la première fois

La synchronisation automatique FM démarre automatiquement lors de la première sélection de la fonction FM.

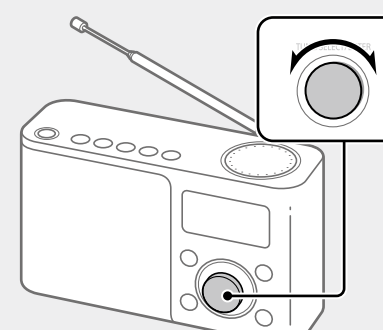


### Astuces

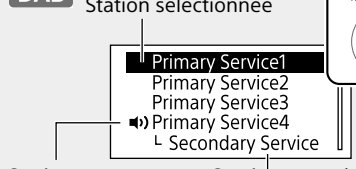
- Même si vous sélectionnez « Later » sur l'écran « Get FM station name », les noms de stations FM sont reçus et enregistrés dans l'appareil lorsque vous écoutez des diffusions.
- Les noms de certaines stations FM ne sont pas transmis.

## 2 Sélectionnez la station ou le service souhaité.

Faites tourner **TUNE/SELECT/ENTER** dans le sens des aiguilles d'une montre ou dans le sens contraire pour effectuer une sélection.



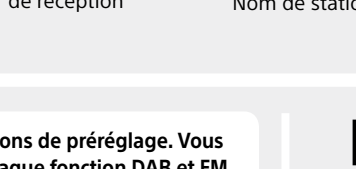
## DAB



Station sélectionnée

Service secondaire (après la marque « L »)

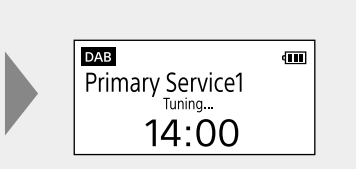
## FM



Station sélectionnée

Nom de station\*

## DAB



Station en cours de réception

Texte déroulant (DLS : Segment de libellé dynamique pouvant atteindre jusqu'à 128 caractères)

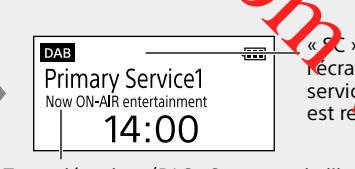
## FM



Station en cours de réception

Nom de station\*

## DAB



Station en cours de réception

Texte déroulant (RT : Texte de la radio pouvant atteindre jusqu'à 64 caractères)\*

## FM



Station en cours de réception

Nom de station\*

## À propos du processus de synchronisation automatique FM

Vous pouvez annuler le processus de synchronisation automatique FM qui démarre lors de la première sélection de la fonction FM. Toutefois, si vous voulez sélectionner des stations à l'aide de la liste de stations, vous devez effectuer la synchronisation automatique FM. Pour des informations détaillées sur l'exécution ultérieure de la synchronisation automatique FM, voir « Pour créer une nouvelle liste de stations DAB/FM ».

\* Ne s'affiche que lorsque les données RDS ont été reçues.

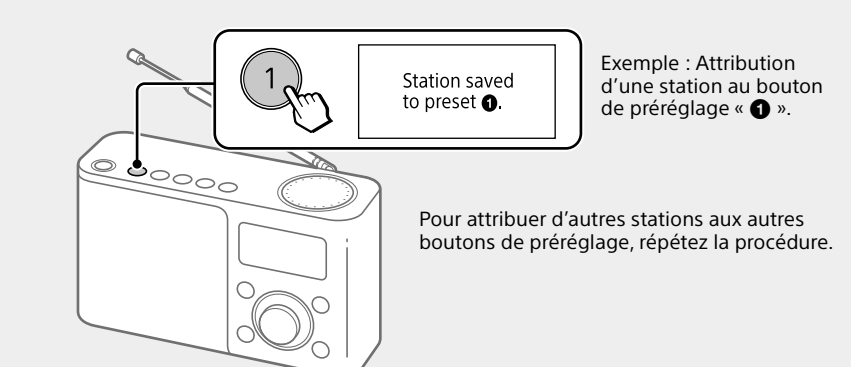
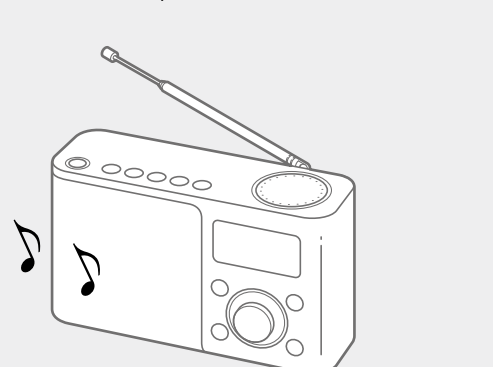
\* Pour annuler le processus de synchronisation automatique en cours, appuyez sur **BACK**.

# Attribution de stations aux boutons de pré-réglage

## 1 Sélectionnez la station que vous voulez pré-régler.

Exécutez les étapes de « Écouter la radio » ci-dessus.

## 2 Maintenez enfoncé le bouton de pré-réglage voulu (1 à 5) jusqu'à ce que « Station saved to preset x. » apparaisse sur l'écran.



## Attribuez vos stations préférées aux 5 boutons de pré-réglage. Vous pouvez attribuer jusqu'à 5 stations pour chaque fonction DAB et FM.

### Pour changer l'attribution des boutons

- Synchronisez-vous sur une nouvelle station.
- Appuyez sur le bouton de pré-réglage que vous voulez modifier et maintenez-le enfoncé jusqu'à ce que « Station saved to preset x. » s'affiche à l'écran. La station précédemment attribuée au bouton sélectionné est remplacée par la nouvelle.

### Astuce

Les informations d'attribution de boutons restent dans la mémoire de la radio même après l'exécution des synchronisations automatiques DAB et FM.

# Écoute d'une station attribuée

Appuyez sur le bouton de pré-réglage voulu (1 à 5).

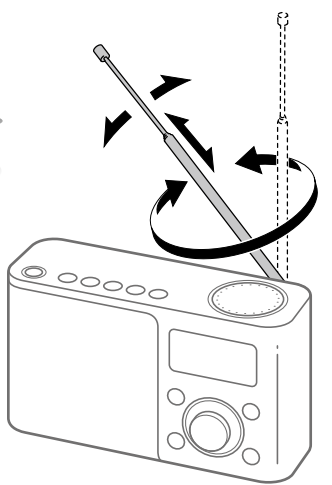
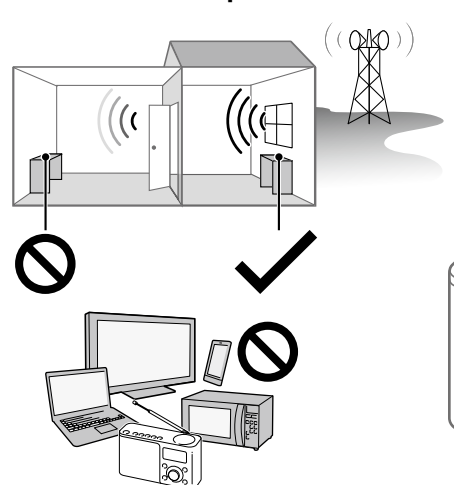
Le numéro du bouton de pré-réglage s'allume et l'écran de réception apparaît.



### Remarque

Pour éviter que la station attribuée soit changée par erreur, ne maintenez pas le bouton de pré-réglage enfoncé.

## Pour améliorer la réception des radios DAB/FM



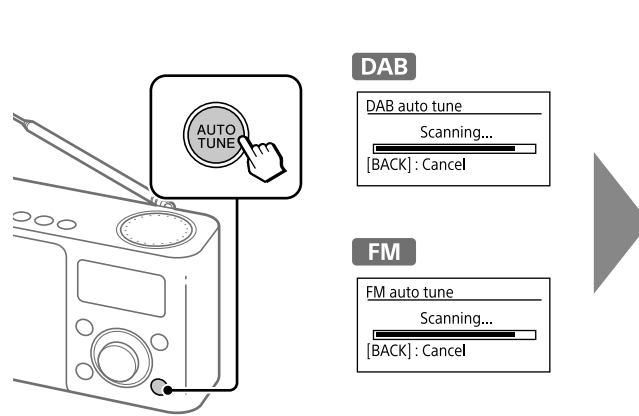
### Remarque

Lorsque vous réglez l'antenne, veillez à la tenir par la partie inférieure. Si vous déplacez l'antenne avec trop de force et en la tenant par la partie supérieure, vous risquez de l'endommager.

## Pour créer une nouvelle liste de stations DAB/FM

Si vous avez changé de région, recommencez les synchronisations automatiques DAB et FM.

Sélectionnez la fonction DAB ou FM, puis appuyez sur **AUTO TUNE**.



La radio reçoit la première station dans la nouvelle liste des stations.

### Remarques

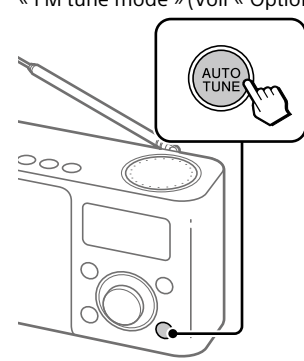
- La liste des stations actuellement enregistrées est effacée une fois le processus de synchronisation automatique démarré.
- Lorsque le menu de configuration s'affiche, la synchronisation automatique ne s'exécute pas même si **AUTO TUNE** est actionné.

### Remarque sur la synchronisation automatique FM

Veillez à sélectionner « By station list » dans « FM tune mode » avant de démarrer la synchronisation automatique FM. Lorsque « Manual tune » est sélectionné, c'est au contraire la synchronisation par défilement qui démarre. Voir « Options du menu de configuration » pour des informations détaillées.

## Pour synchroniser automatiquement les stations FM (synchronisation par défilement de fréquences)

Vous pouvez vous synchroniser automatiquement sur des stations FM pouvant être reçues en faisant défiler les fréquences FM par incréments de 0,05 MHz. Sélectionnez la fonction FM, puis appuyez sur **AUTO TUNE**. Veillez à sélectionner « Manual tune » dans « FM tune mode » (Voir « Options du menu de configuration ») avant d'utiliser cette fonction.

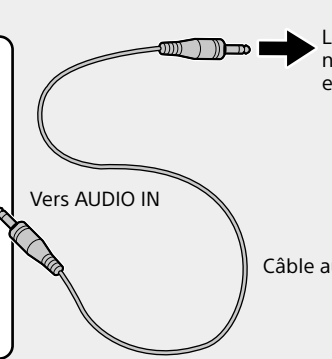
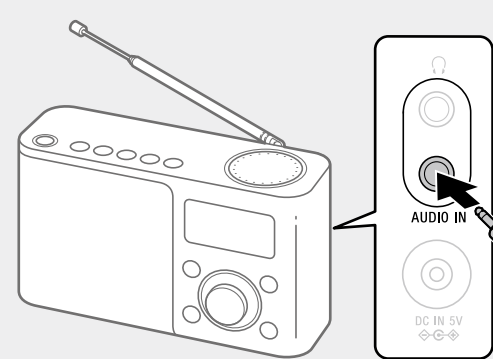


### Astuce

Appuyez sur **BACK** pour arrêter la recherche de stations FM.

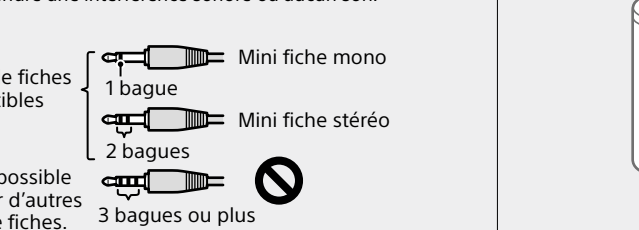
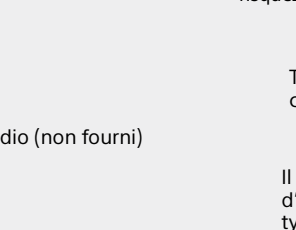
# Écouter le son d'un appareil externe

## 1 Connectez l'appareil externe à la radio.

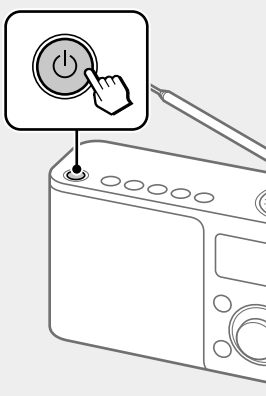


### Remarque

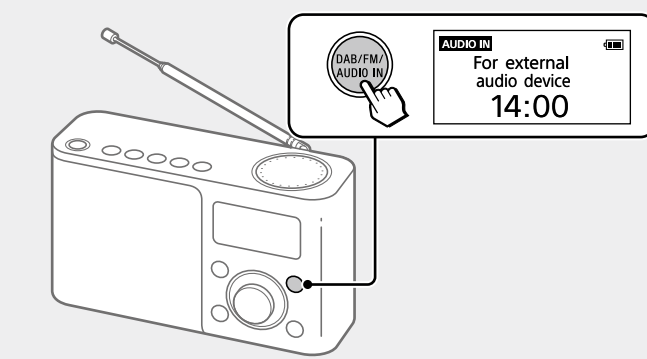
Lorsque vous connectez un appareil externe à l'unité, utilisez un câble audio doté d'une mini fiche stéréo (trois broches) ou mono (deux broches). Si vous utilisez un autre type de fiche, vous risquez d'entendre une interférence sonore ou aucun son.



## 2 Allumez la radio.

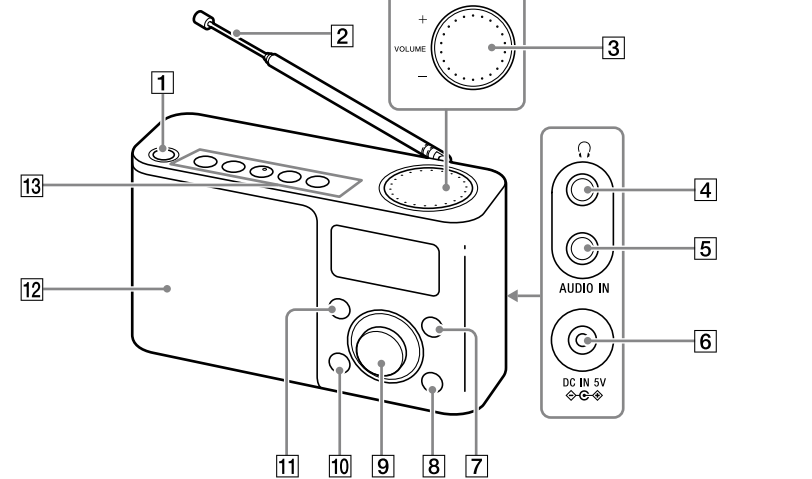


## 3 Sélectionnez la fonction AUDIO IN.



Commencez à jouer votre sélection sur l'appareil connecté.

# Guide des pièces et des contrôles

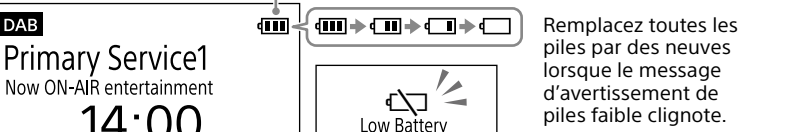


- Bouton **(marche)**
- Antenne
- Molette **VOLUME**
- Prise **(casque)**
- Prise **AUDIO IN**
- Prise **DC IN**
- Bouton **DAB/FM/AUDIO IN**
- Bouton **AUTO TUNE**
- Molette **TUNE/SELECT/ENTER**
- Prise **AUDIO IN**
- Bouton **MENU**
- Bouton **Haut-parleur**
- Boutons de pré-réglage\*

\* Le bouton de pré-réglage **(1 à 5)** présente un point tactile.

## Indicateur de piles

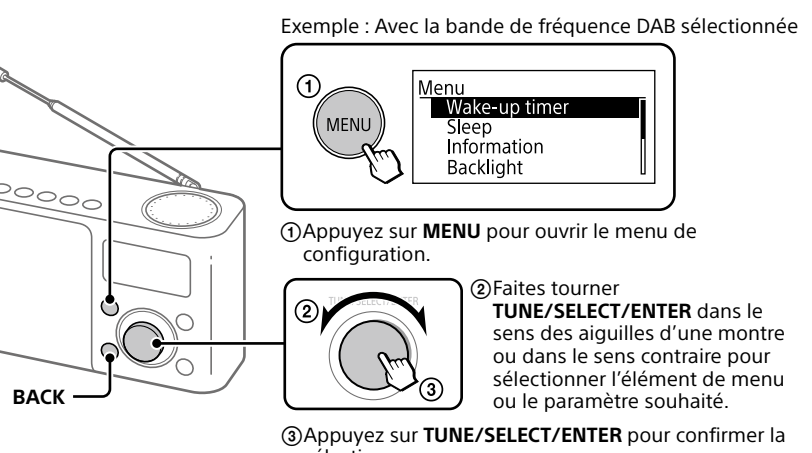
L'indicateur de piles s'allume lorsque vous utilisez l'appareil sur piles. La puissance restante des piles s'affiche selon 5 niveaux.



Remplacez toutes les piles par des neuves lorsque le message d'avertissement de piles faible clignote.

## Options du menu de configuration

Exemple : Avec la bande de fréquence DAB sélectionnée



Pour revenir au menu de niveau supérieur Appuyez sur **BACK**.

Pour sortir du menu de configuration Appuyez à nouveau sur **MENU**.

## Wake-up timer

Veillez à relier l'adaptateur secteur lorsque vous utilisez la minuterie de mise sous tension. Il est impossible d'utiliser la minuterie de mise sous tension lorsque l'appareil est utilisé sur piles.

**Enable :** Sélectionnez cette option pour utiliser la minuterie de mise sous tension.

**Disable :** Sélectionnez cette option pour ne pas utiliser la minuterie de mise sous tension.

**Wake-up timer setting :** Sélectionnez cette option pour régler la minuterie de mise sous tension. Vous pouvez régler la minuterie de mise sous tension comme suit.

1 Sélectionnez « Timer setting », puis réglez l'heure et les minutes.

2 Sélectionnez « Wake station » et réglez une station.

3 Sélectionnez « Volume setting » et faites tourner **TUNE/SELECT/ENTER** dans le sens des aiguilles d'une montre ou dans le sens contraire pour régler le volume.

4 Sélectionnez « Enable », puis appuyez sur **TUNE/SELECT/ENTER**. Lorsque la minuterie de mise sous tension est réglée, « **(1 à 5)** » s'allume sur l'écran.

Après avoir réglé le volume, appuyez sur **BACK** jusqu'à ce que l'affichage revienne au menu « Wake-up timer setting ».

Après avoir réglé le volume, appuyez sur **BACK** jusqu'à ce que l'affichage revienne au menu « Wake-up timer ».

Après avoir réglé le volume, appuyez sur **BACK** jusqu'à ce que l'affichage revienne au menu « Wake-up timer ».

Après avoir réglé le volume, appuyez sur **BACK** jusqu'à ce que l'affichage revienne au menu « Wake-up timer ».

## Sleep

La radio s'éteint automatiquement une fois un délai défini. Sélectionnez la durée souhaitée (en minutes) comme suit :

**Off (désactivé) / 15 min. / 30 min. / 45 min. / 60 min.**

Lorsque la minuterie de mise en veille est réglée, « **SLEEP** » s'allume à l'écran.

## Information DAB

Affiche les informations sur la station que vous écoutez. Faites tourner la molette **TUNE/SELECT/ENTER** dans le sens des aiguilles d'une montre ou dans le sens contraire pour faire défiler les informations suivantes :

**Channel :** Canal et fréquence (Voir le tableau des fréquences DAB à la section « Caractéristiques ».)

**Multiplex name :** Libellé de l'ensemble (jusqu'à 16 caractères)

**Service name :** Nom de la station

**PTY :** Libellé PTY (Voir « PTY (type de programme) » dans « Caractéristiques ».)

**Bit rate :** Vitesse de transmission

**Signal level :** Affiche l'intensité du signal de la station DAB que vous écoutez, de 0 (aucun signal) à 100 (intensité maximale).

## Remarque

S'il n'y a pas de libellé de l'ensemble ni de nom de station, l'espace du libellé ou du nom est vide. S'il n'y a pas de libellé PTY, « No PTY » s'affiche à l'écran.

## FM tune mode

Sélectionnez le mode de synchronisation par FM.

**By station list :** Vous pouvez sélectionner la station de votre choix dans la liste des stations FM enregistrées par synchronisation automatique. Lorsque vous sélectionnez cette option, l'écran change et affiche la liste des stations FM.

Sélectionnez la station de votre choix dans la liste.

**Manual tune :** Vous pouvez manuellement vous synchroniser à la fréquence FM souhaitée par intervalles de 0,05 MHz. Faites tourner la molette **TUNE/SELECT/ENTER** dans le sens des aiguilles d'une montre ou dans le sens contraire pour vous synchroniser à la fréquence de votre choix. En mode « Manual tune », vous pouvez utiliser la fonction de synchronisation par défilement (voir « Pour synchroniser automatiquement les stations FM (synchronisation par défilement de fréquences) » pour des informations détaillées.)

## Edit FM station list

Vous pouvez modifier la liste des stations FM.

**Get FM station name :** Effectuez cette opération lorsque vous souhaitez recevoir des informations RDS, par exemple les noms de stations. Sélectionnez « OK » pour démarrer le défilement des données RDS.

## Remarques

• Réglez « FM tune mode » sur « By station list » avant d'exécuter cette action.

• Les informations RDS actuellement mémorisées sont effacées une fois que le défilement démarre.

• La réception de toutes les données RDS disponibles peut prendre les minutes.

## Delete FM station

Vous pouvez supprimer les stations non souhaitées dans la liste des stations FM.

1 Faites tourner **TUNE/SELECT/ENTER** dans le sens des aiguilles d'une montre ou dans le sens contraire pour sélectionner la station à supprimer, puis appuyez dessus pour confirmer.

2 Faites tourner **TUNE/SELECT/ENTER** dans le sens des aiguilles d'une montre ou dans le sens contraire pour sélectionner « OK », puis appuyez dessus pour confirmer.

**Add FM station :** Lorsque vous écoutez une station synchronisée manuellement, vous pouvez l'ajouter à la liste des stations FM. Sélectionnez « OK » pour ajouter la station à la liste. Veillez à régler « FM tune mode » sur « Manual tune » avant d'utiliser cette option.

## Backlight

**Auto :** Le rétroéclairage s'éteint automatiquement s'il n'y a aucune activité pendant 30 secondes.

**Always ON :** Le rétroéclairage reste tout le temps allumé.

## Time

**Set time :** « Auto (DAB) » est la valeur réglée par défaut. Cela permet à l'horloge de se synchroniser avec les données DAB en cours de réception. Sélectionnez « Time setting » pour régler manuellement l'horloge en utilisant **TUNE/SELECT/ENTER**.

**12H/24H :** Sélectionnez le mode d'affichage de l'horloge, 12 heures ou 24 heures.

## Beep

Sélectionnez « On » pour activer le signal sonore lorsque vous appuyez sur la radio.

## DAB manual tune

Si la réception est de mauvaise qualité et qu'il est impossible d'enregistrer totalement les stations DAB pouvant être reçues par synchronisation automatique DAB, essayez la synchronisation manuelle.

Faites tourner **TUNE/SELECT/ENTER** dans le sens des aiguilles d'une montre ou dans le sens contraire pour sélectionner le canal DAB de votre choix, puis appuyez dessus pour confirmer.

La radio fait défiler les stations pouvant être reçues dans le canal sélectionné.

**Astuce** La nouvelle station reçue par la synchronisation manuelle est enregistrée dans la liste des stations DAB.

## Initialize

Sélectionnez « OK » pour réinitialiser la radio et rétablir les paramètres d'usine. Les paramètres, les listes de stations DAB et FM et les informations d'attribution des boutons de pré-réglage seront tous supprimés.

## Maintien d'un niveau de volume modéré

La radio limite le volume maximal pour vous permettre d'écouter le son à un niveau sonore modéré si vous utilisez le casque. Si vous essayez de régler le volume à un niveau supérieur au niveau spécifié, le message « Check The Volume Level » s'affiche.

• La liste des stations actuellement enregistrées est effacée une fois le processus de synchronisation automatique démarré.

• Lorsque le menu de configuration s'affiche, la synchronisation automatique ne s'exécute pas même si **AUTO TUNE** est actionné.

## Remarque sur la synchronisation automatique FM

Veillez à sélectionner « By station list » dans « FM tune mode » avant de démarrer la synchronisation automatique FM. Lorsque « Manual tune » est sélectionné, c'est au contraire la synchronisation par défilement qui démarre. Voir « Options du menu de configuration » pour des informations détaillées.

## Utilisation des fonctions RDS

La radio prend en charge les fonctions RDS suivantes.

**Fonction RDS**

**Description**

Affichage du nom de station

Affiche le nom de la station que vous écoutez.

RT (texte radio)

Affiche les informations textuelles au format libre.

## À propos des fonctionnalités RDS

**Qu'est-ce que RDS ?**

Lancé par l'EBU (European Broadcasting Union) en 1987, le système RDS (Radio Data System) permet de recevoir des informations, par exemple les noms de station, via le signal de sous-porteuse 57 kHz des diffusions FM. Toutefois, la disponibilité des données RDS varie selon le lieu géographique. Il n'est donc pas toujours possible de recevoir les informations RDS.

**Utilisation des fonctions RDS**

La radio prend en charge les fonctions RDS suivantes.

• Les fonctions RDS ne sont pas activées si la station FM reçue ne transmet pas de données RDS. Elles risquent également de ne pas fonctionner correctement dans les lieux où les transmissions RDS sont en phase expérimentale.

• Si le signal radio reçu est de faible intensité, la réception des données RDS peut prendre du temps.

• Vérifiez que les piles sont ins