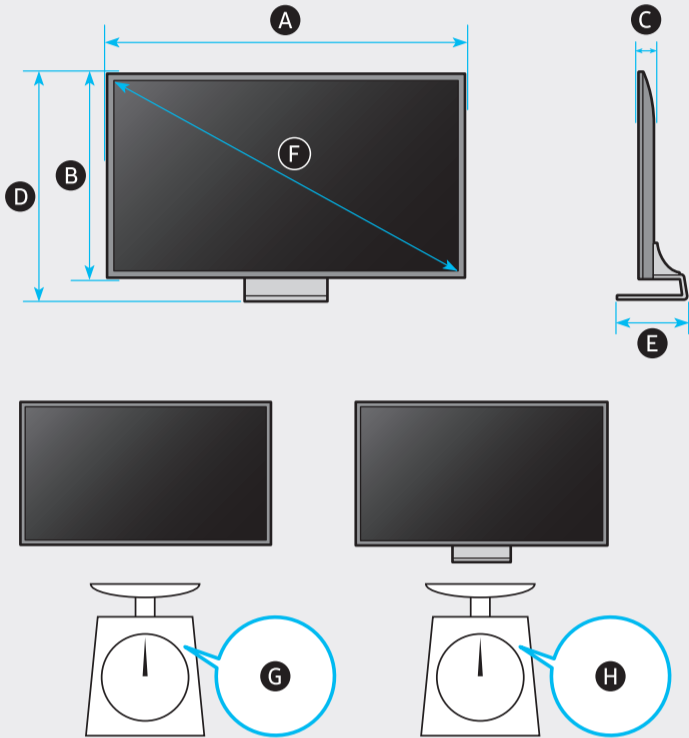
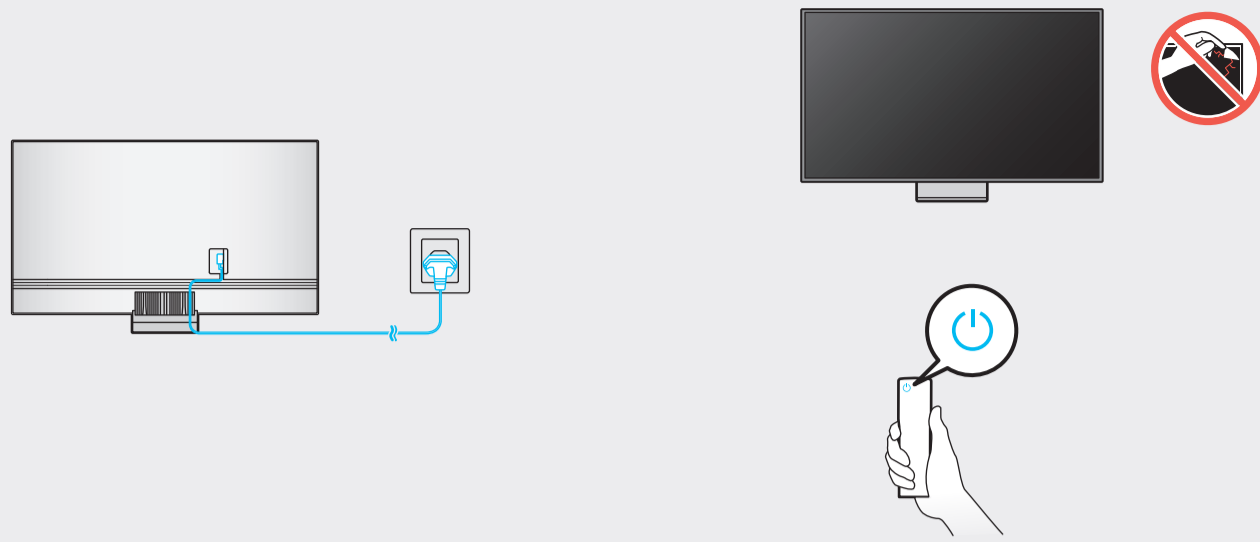
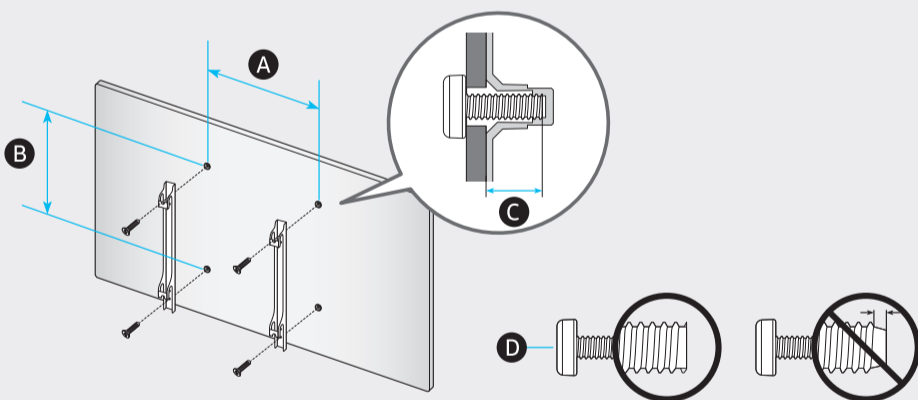


9



	A	B	C	D	E	F	G	H
98QN9*A 98QNA9*	86.0 inches (2185.1 mm)	49.2 inches (1249.3 mm)	1.2 inches (30.9 mm)	51.9 inches (1319.0 mm)	14.4 inches (366.9 mm)	97.5 inches (247 cm)	135.4 lbs (61.4 kg)	166.9 lbs (75.7 kg)

\*: 0-9, A-Z

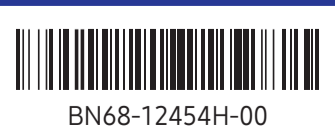


	VESA A x B (mm)	C (mm)	D x 4
98QN9*A 98QNA9*	600 x 400	11-13	M8

\*: 0-9, A-Z

**SAMSUNG**

QUICK SETUP GUIDE  
 GUIDE D'INSTALLATION RAPIDE  
 GUÍA RÁPIDA DE CONFIGURACIÓN  
 GUIA RÁPIDO DE INSTALAÇÃO  
 KURZANLEITUNG ZUR KONFIGURATION  
 GUIDA DI INSTALLAZIONE RAPIDA



BN68-12454H-00

