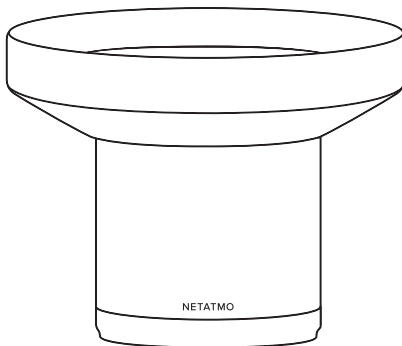


# NETATMO

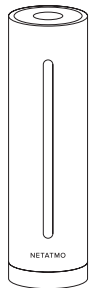
## rain gauge

Welcome / Bienvenido / Bienvenue / Willkommen

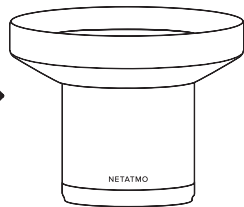
Benvenuto / Welkom / 欢迎 / 歡迎 / 歡迎



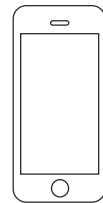
1



← →  
<10 cm / < 4 in

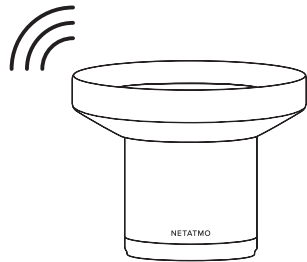
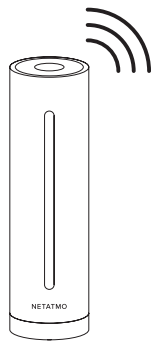


2

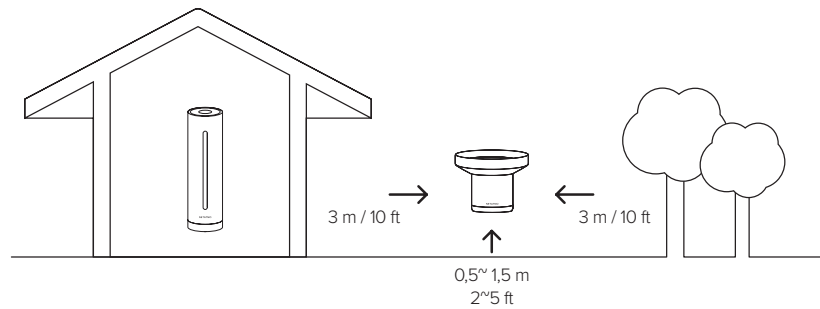


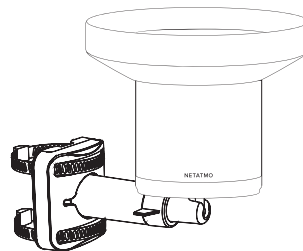
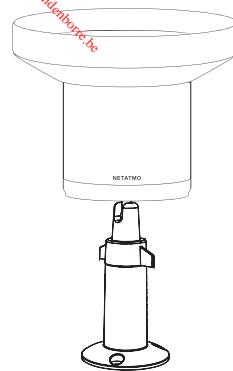
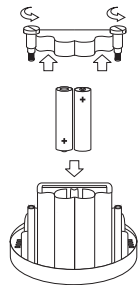
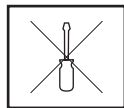
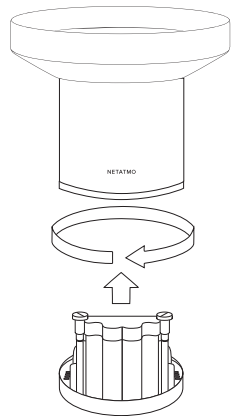
<http://add.netatmo.com>

3



4





Sold separately / Vendu séparément / Separat erhältlich / Vendido por separado /  
Venduto separatamente / Afzonderlijk verkocht / 单独出售 / 單獨出售 / 別売

<http://netatmo.com/mount>

#### EU Declaration of Conformity

Hereby, Netatmo declares that this NRG02 is in compliance with the essential requirements and other relevant provisions of Directive 1999/5/EC and ROHS 2011/65/EC.

#### Български [Bulgarian]

Netatmo декларира, че това NRG02 е в съответствие със съществените изисквания и другите приложими правила на Директива 1999/5/EC и ROHS 2011/65/ES.

#### Česky [Czech]

Netatmo tímto prohlašuje, že tento NRG02 je ve shodě se základními požadavky a dalšími příslušnými ustanoveními směrnice 1999/5/ES a ROHS 2011/65/ES.

#### Dansk [Danish]

Undertegnede Netatmo erklærer herved, at følgende udstyr NRG02 overholder de væsentlige krav og øvrige relevante krav i direktiv 1999/5/EF og ROHS 2011/65/EF.

#### Deutsch [German]

Hiermit erklärt Netatmo, dass sich das Gerät NRG02 in Übereinstimmung mit den grundlegenden Anforderungen und den übrigen einschlägigen Bestimmungen der Richtlinie 1999/5/EG und ROHS 2011/65/EG befindet.

#### Eesti [Estonian]

Käesolevaga kinnitab Netatmo seadme NRG02 vastavust direktiivi 1999/5/EÜ ja ROHS 2011/65/EÜ põhinõuetele ja nimetatud direktiivist tulenevatele teistele asjakohastele sätetele.

#### Español [Spanish]

Por medio de la presente Netatmo declara que el NRG02 cumple con los requisitos esenciales y cualesquiera otras disposiciones aplicables o exigibles de la Directiva 1999/5/CE y ROHS 2011/65/EC.

#### Ελληνική [Greek]

ΜΕ ΤΗΝ ΠΑΡΟΥΣΑ Netatmo ΔΗΛΩΝΕΙ ΟΤΙ ΝRG02 ΣΥΜΜΟΡΦΩΝΕΤΑΙ ΠΡΟΣ ΤΙΣ ΟΥΣΙΩΔΕΙΣ ΑΠΑΙΤΗΣΕΙΣ ΚΑΙ ΤΙΣ ΛΟΙΠΕΣ ΣΧΕΤΙΚΕΣ ΔΙΑΤΑΞΕΙΣ ΤΗΣ ΟΔΗΓΙΑΣ 1999/5/ΕΚ και ROHS 2011/65/ΕΚ.

#### Français [French]

Par la présente Netatmo déclare que l'appareil NRG02 est conforme aux exigences essentielles et aux autres dispositions pertinentes de la directive 1999/5/CE et ROHS 2011/65/CE.

#### Hrvatski [Croatian]

Ovime, Netatmo izjavljuje da je ovaj NRG02 u skladu s osnovnim zahtjevima i drugim relevantnim odredbama Direktive 1999/5/EC i ROHS 2011/65/EC.

#### Italiano [Italian]

Con la presente Netatmo dichiara che questo NRG02 è conforme ai requisiti essenziali ed alle altre disposizioni pertinenti stabilite dalla direttiva 1999/5/CE e ROHS 2011/65/CE.

#### Latviski [Latvian]

Ar šo Netatmo deklarē, ka NRG02 atbilst Direktīvas 1999/5/EK un ROHS 2011/65/EK būtiskajām prasībām un citiem ar to saistītajiem noteikumiem.

#### Lietuvių [Lithuanian]

Šiuo Netatmo deklaruoja, kad šis NRG02 atitinka esminius reikalavimus ir kitas 1999/5/EB ir ROHS 2011/65/EB Direktyvos nuostatas.

#### Nederlands [Dutch]

Hierbij verklaart Netatmo dat het toestel NRG02 in overeenstemming is met de essentiële eisen en de andere relevante bepalingen van richtlijn 1999/5/EG en ROHS 2011/65/EG.

#### Malti [Maltese]

Hawnhekk, Netatmo, jiddikjara li dan NRG02 jikkonforma mal-ftiġġiet essenzjali u ma provvedimenti oħrajn relevanti li hemm fid-Dirrettiva 1999/5/EC u ROHS 2011/65/EC.

#### Magyar [Hungarian]

Alulírott, Netatmo nyilatkozom, hogy a NRG02 megfelel a vonatkozó alapvető követelményeknek és az 1999/5/EC i ROHS 2011/65/EC irányelv egyéb előírásainak.

#### Norsk [Norwegian]

Netatmo erklærer herved at dette NRG02 er i samsvar med de grunnleggende kravene og øvrige relevante krav i EU-direktivet 1999/5/EF og ROHS 2011/65/EC.

#### Polski [Polish]

Niniejszym Netatmo oświadcza, że NRG02 jest zgodny z zasadniczymi wymogami oraz pozostałymi stosownymi postanowieniami Dyrektywy 1999/5/EC i ROHS 2011/65/EC.

#### Português [Portuguese]

Netatmo declara que este NRG02 está conforme com os requisitos essenciais e outras disposições da Directiva 1999/5/CE e ROHS 2011/65/CE.

#### Română [Romanian]

Prin prezenta, Netatmo declară că acest NRG02 este în conformitate cu cerințele esențiale și cu celelalte prevederi relevante ale Directivei 1999/5/CE și ROHS 2011/65/EC.

#### Slovensko [Slovenian]

Netatmo izjavlja, da je ta NRG02 v skladu z bistvenimi zahtevami in ostalimi relevantnimi določili direktive 1999/5/ES in ROHS 2011/65/ES.

#### Slovensky [Slovak]

Netatmo týmto vyhlasuje, že NRG02 spĺňa základné požiadavky a všetky príslušné ustanovenia Smernice 1999/5/ES a ROHS 2011/65/ES.

#### Suomi [Finnish]

Netatmo vakuuttaa täten että NRG02 tyypinen laite on direktiivin 1999/5/EY ja ROHS 2011/65/EY oleellisten vaatimusten ja sitä koskevien direktiivin muiden ehtojen mukainen.

#### Svenska [Swedish]

Härmed intygar Netatmo att denna NRG02 står lövensstämme med de väsentliga egenskapskrav och övriga relevanta bestämmelser som framgår av direktiv 1999/5/EG och ROHS 2011/65/EG.

<http://www.netatmo.com/declaration/nrg>

Netatmo SAS  
93, rue nationale – 92100 Boulogne-Billancourt

Boulogne-Billancourt, 22/12/2016  
CEO  
Frédéric POTTER



## FCC Statement

This equipment has been tested and found to comply with the limits for a Class B digital device, pursuant to part 15 of the FCC rules. These limits are designed to provide reasonable protection against harmful interference in a residential installation.

This equipment generates, uses and can radiate radio frequency energy and, if not installed and used in accordance with the instructions, may cause harmful interference to radio communications. However, there is no guarantee that interference will not occur in a particular installation.

If this equipment does cause harmful interference to radio or television reception, which can be determined by turning the equipment off and on, the user is encouraged to try to correct the interference by one or more of the following measures:

- Reorient or relocate the receiving antenna.
- Increase the separation between the equipment and receiver.
- Connect the equipment into an outlet on a circuit different from that to which the receiver is connected.
- Consult the dealer or an experienced radio/TV technician for help.

Should you need further certification information (FCC ID, IC) please open the product from the bottom.

## FCC Radiation Exposure Statement

This equipment complies with FCC RF radiation exposure limits set forth for an uncontrolled environment. This transmitter should be installed and operated with a minimum distance of 20 centimeters between the radiator and your

body and must not be co-located or operating in conjunction with any other antenna or transmitter. This equipment complies with Part 15 of the FCC Rules. Operation is subject to the following two conditions:

- (1) This device may not cause harmful interference, and
- (2) This device must accept any interference received, including interference that may cause undesired operation.

## Caution!

Any changes or modifications to this unit not expressly approved by the party responsible for compliance could void the user's authority to operate the equipment.

## Legal notice

"Made for iPod", "Made for iPhone", "Made for iPad" mean that an electronic accessory has been designed to connect specifically to iPod, iPhone and iPad and has been certified by the developer to meet Apple performance standards. Apple is not responsible for the operation of this device or its compliance with safety and regulatory standards. Please note that the use of this accessory with iPhone may affect wireless performance.

## Safety warnings

This device is not intended for use by persons (including children) with reduced physical, sensory or mental capabilities, or lack of experience and knowledge, unless they have been given supervision or instruction concerning use of the appliance by a person responsible for their safety. Children should be supervised to ensure that they do not play with the appliance.

Before inserting the batteries, check that the contacts in the device and on the batteries are clean, and clean them if necessary. Note the polarity (+/-) when inserting the batteries. Do not throw the batteries into a fire, short-circuit it or dismantle it. Keep children away from batteries. Seek medical attention immediately if a battery is swallowed.

## Consignes de sécurité

Cet appareil n'est pas destiné à être utilisé par des personnes (notamment des enfants) dont les capacités physiques, sensorielles ou mentales sont réduites, ou qui n'ont pas d'expérience et de connaissances, à moins qu'elles ne soient surveillées ou instruites concernant l'utilisation de l'appareil par une personne responsable de leur sécurité. Les enfants doivent être surveillés pour s'assurer qu'ils ne jouent pas avec l'appareil.

Avant d'insérer les piles, vérifiez que les contacts de l'appareil et des piles sont propres, et nettoyez-les si nécessaire. Respectez la polarité (+/-) lors de l'insertion des piles.

Ne pas jeter les piles dans un incendie, créer de court-circuit ou les démanteler. Gardez les enfants loin des piles. Consulter immédiatement un médecin si une pile est avalée.

## Canadian Compliance Statement

This device complies with Industry Canada license-exempt RSS standard(s). Operation is subject to the following two conditions: (1) this device may not cause interference, and (2) this device must accept any interference, including interference that may cause undesired operation of the device.

*Cet appareil est conforme aux normes CNR exemptes de licence d'Industrie Canada. Le fonctionnement est soumis aux deux conditions suivantes: (1) cet appareil ne doit pas provoquer d'interférences et (2) cet appareil doit accepter toute interférence, y compris celles susceptibles de provoquer un fonctionnement non souhaité de l'appareil.*

This Class B digital apparatus complies with Canadian ICES-003.

*Cet appareil numérique de la classe B est conforme à la norme NMB-003 du Canada.*

This device and its antenna(s) must not be co-located or operating in conjunction with any other antenna or transmitter.

Cet appareil et son antenne (s) ne doit pas être co-localisés ou fonctionnant en conjonction avec une autre antenne ou transmetteur.

Copyright Netatmo (c) 2016. All rights reserved.  
Reproduction and distribution prohibited without  
written authorization from Netatmo.



Product Model: NRG02  
FCC ID: N3A-NWS02RG  
IC: 10860A-NWS02RG

# NETATMO

① <http://support.netatmo.com>