



User manual
Washing machine

HW70-BP1439N

GB

Haier

Thank you for purchasing a Haier Product.

Please read these instructions carefully before using this appliance. The instructions contain important information which will help you get the best out of the appliance and ensure safe and proper installation, use and maintenance.

Keep this manual in a convenient place so you can always refer to it for the safe and proper use of the appliance.

If you sell the appliance, give it away, or leave it behind when you move house, make sure you also pass this manual so that the new owner can become familiar with the appliance and safety warnings.

Legend



Warning – Important Safety information

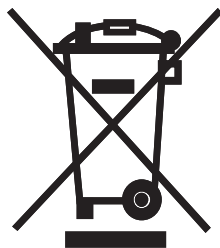


General information and tips



Environmental information

Disposal



Help protect the environment and human health. Put the packaging in applicable containers to recycle it. Help to recycle waste of electrical and electronic appliances. Do not dispose appliances marked with this symbol with the household waste. Return the product to your local recycling facility or contact your municipal office.



WARNING!

Risk of injury or suffocation!

Disconnect the appliance from the mains supply. Cut off the mains cable and dispose of it. Remove the door catch to prevent children and pets to get closed in the appliance.

1-Safety information.....	4
2-Product description	7
3-Control panel	8
4-Programmes	11
5-Consumption.....	12
6-Daily use	13
7-Eco-friendly washing	18
8-Care and cleaning	19
9-Troubleshooting	22
10-Installation.....	25
11-Technical data.....	29
12-Customer service.....	30

Before switching on the appliance for the first time read the following safety hints!



WARNING!

Before first use

- ▶ Make sure there is no transport damage.
- ▶ Make sure all transport bolts are removed.
- ▶ Remove all packaging and keep out of children's reach.
- ▶ Handle the appliance always with at least two persons because it is heavy.

Daily use

- ▶ This appliance can be used by children aged from 8 years and above and persons with reduced physical, sensory or mental capabilities or lack of experience and knowledge if they have been given supervision or instruction concerning use of the appliance in a safe way and understand the hazards involved.
- ▶ Keep away children under 3 years of age from the appliance unless they are constantly supervised.
- ▶ Children shall not play with the appliance.
- ▶ Do not let children or pets come close to the appliance when the door is open.
- ▶ Store washing agents out of reach of children.
- ▶ Pull up zips, fix loose threads and take care for small items to prevent laundry from being entangled. If necessary, use an appropriate bag or net.
- ▶ Do not touch or use the appliance when barefoot or with wet or damp hands or feet.
- ▶ Do not cover or encase the appliance during operation or afterwards to allow any moisture or dampness to evaporate.
- ▶ Do not place heavy objects or sources of heat or damp on top of the appliance.
- ▶ Do not use or store flammable detergent or dry cleaning agent in close vicinity to the appliance.
- ▶ Do not use any flammable sprays in close vicinity to the appliance.
- ▶ Do not wash any garments treated with solvents in the appliance without having dried them previously in the air.

**WARNING!****Daily use**

- ▶ Do not remove or insert the plug in the presence of flammable gas.
- ▶ Do not hot wash foam rubber or sponge-like materials.
- ▶ Do not wash any laundry which is polluted with flour.
- ▶ Do not open detergent drawer during any wash cycle.
- ▶ Do not touch the door during the washing process, it gets hot.
- ▶ Do not open the door if the water level is visibly over the porthole.
- ▶ Do not force the door to open. The door is fitted with a self-lock device and will open shortly after the washing procedure is ended.
- ▶ Switch off the appliance after each wash programme and before undertaking any routine maintenance and disconnect the appliance from the electrical supply to save electricity and for safety.
- ▶ Hold the plug, not the cable, when unplugging the appliance.

Maintenance / cleaning

- ▶ Make sure children are supervised if they carry out cleaning and maintenance.
- ▶ Disconnect the appliance from the electrical supply before undertaking any routine maintenance.
- ▶ Keep the lower part of the porthole clean and open door and detergent drawer if appliance is not in use to prevent odours.
- ▶ Do not use water spray or steam to clean the appliance.
- ▶ Replace a damaged supply cord only by the manufacturer, its service agent or similarly qualified persons in order to avoid a hazard.
- ▶ Do not try to repair the appliance by yourself. In case of repair please contact our customer service.

Installation

- ▶ The appliance should be placed in a well-ventilated place. Ensure a location which allows opening the door fully.
- ▶ Never install the appliance outdoors in a damp place, or in an area which may be prone to water leaks such as under or near a sink unit. In the event of a water leak cut power supply and allow the machine to dry naturally.



WARNING!

Installation

- ▶ Install or use the appliance only where the temperature is above 5 °C.
- ▶ Do not place the appliance directly on a carpet, or close to a wall or furniture.
- ▶ Do not install the appliance in direct sunlight or in the near of heat sources(e.g. stoves, heaters).
- ▶ Make sure that the electrical information on the rating plate agrees with the power supply. If it does not, contact an electrician.
- ▶ Do not use multi-plug adapters and extension cables.
- ▶ Make sure only the delivered electric cable and hose set are used.
- ▶ Make sure not to damage the electric cable and the plug. If damaged have it replaced by an electrician.
- ▶ Use a separate earthed socket for the power supply which is easy accessible after installation. The appliance must be earthed.
- ▶ Make sure the hose joints and connections are firm and there is no leakage.

Intended use


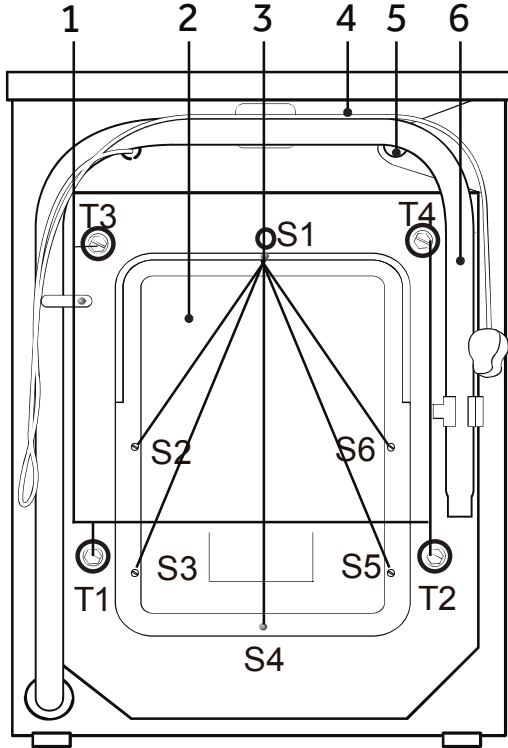
This appliance is intended for washing machine-washable laundry only. Anytime follow the instructions given on the label of each garment label. It is designed exclusively for domestic use inside the house. It is not intended for commercial or industrial use.

Changes or modifications to the device are not allowed. Unintended use may cause hazards and loss of of all warranty and liability claims.

Note:



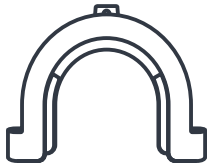
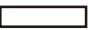


Due to technical changes and different models, the illustrations in the following chapters may differ from your model.

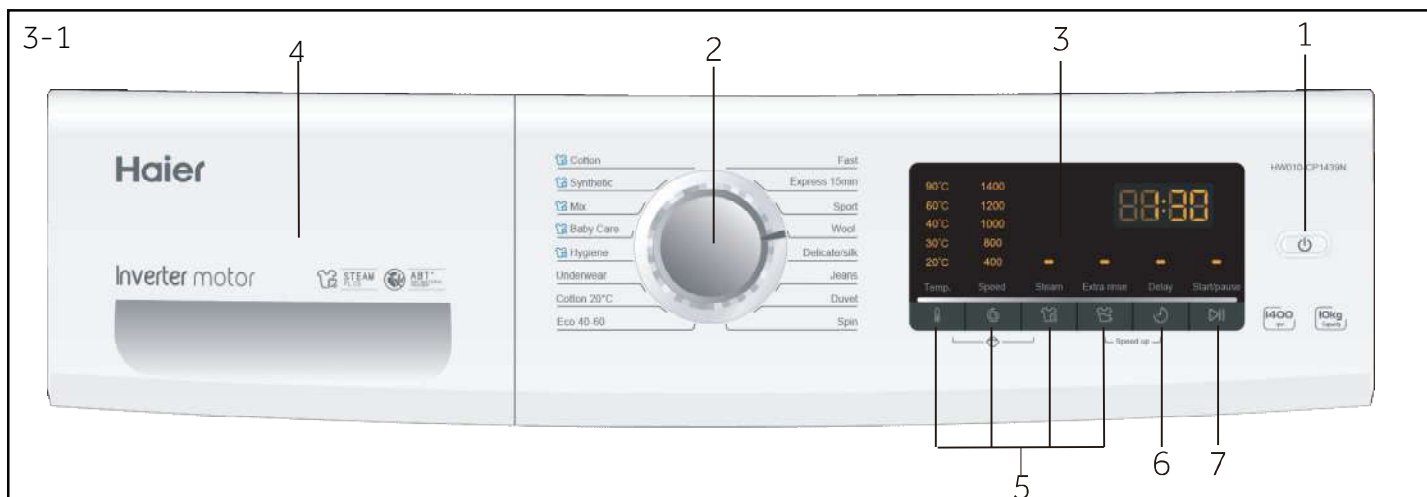
2.1 Picture of appliance

<p>2-1</p>  <ol style="list-style-type: none"> 1. Detergent / Softener drawer 2. Programme selector 3. Worktop 4. Display 5. Rating plate 6. Service flap 7. Adjustable feet 	<p>2-2</p>  <ol style="list-style-type: none"> 1. Transportation bolts (T1-T4) 2. Back cover 3. Back cover screws (S1-S6) 4. Power cord 5. Water inlet valve 6. Drain hose
---	---

2.2 Accessories

Check the accessories and literature in accordance with this list (Fig.2-3):

			2x 		 2-3
Inlet hose-assembly	5 Blanking plugs	Drain hose bracket	Noise reduction pads	Warranty-card	User manual



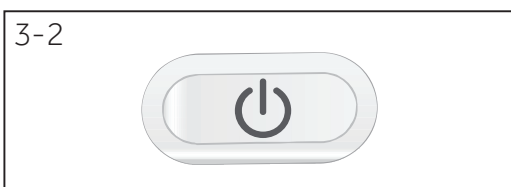
- 1 "On/Off" button
- 2 Programme selector
- 3 Display
- 4 Detergent /Softener drawer
- 5 Function buttons
- 6 "Delay" button
- 7 "Start/Pause" button

Note : Acoustic signal

In following cases, an acoustic signal is no sounds by default:

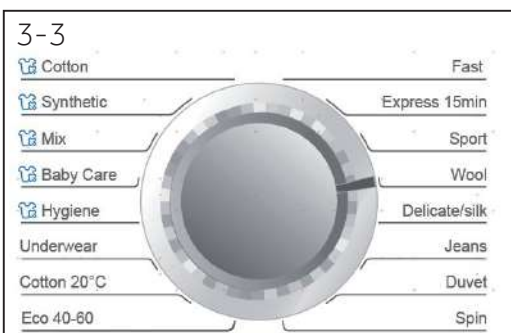
- ▶ when pressing a button
- ▶ when turning the programme selector
- ▶ at the end of programme

The acoustic signal can be selected if necessary ; see DAILY USE.



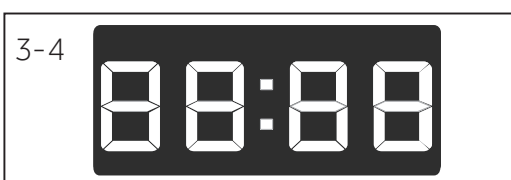
3.1 "On/Off" button

Press this button (Fig. 3-2) gently to switch on, the display is shining, the indicator of the "Start/Pause" button is flashing. Press it again for about 2 seconds to switch off. If no panel element or programme is activated after a while machine will shut down automatically.



3.2 Programme selector

By turning the knob (Fig. 3-3) one of 16 programmes can be selected, related LED will light up, its default settings will be displayed.



3.3 Display

The display (Fig. 3-4) shows following information:

- ▶ Washing time
- ▶ End time delay
- ▶ Error codes and service information

3.4 Detergent drawer

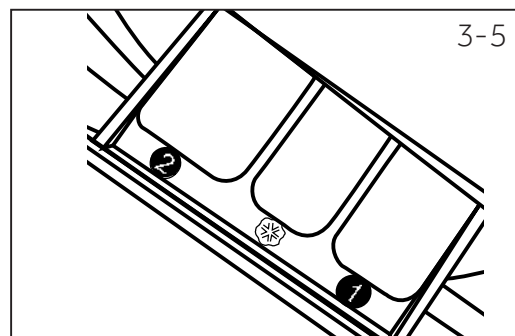
Open the drawer, three compartments can be seen (Fig. 3-5):

Compartment 1 : Water inlet only, no detergent

Compartment 2 : Detergent for programme

Compartment  : Softener, Conditioning agent etc.

The recommendation on the type of detergents is suitable for the various washing temperatures, please refer to the manual of detergent.



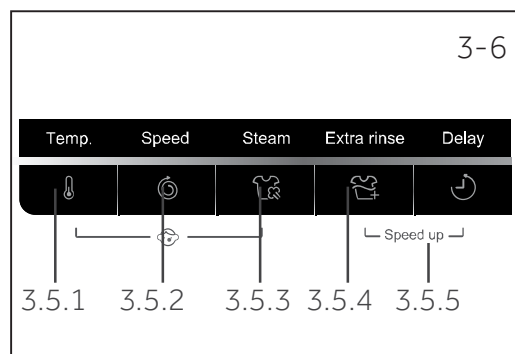
3.5 Function buttons

The function buttons (Fig. 3-6) enable additional options in the selected programme before programme starts. The related indicators are displayed.

By switching off the appliance or setting a new programme, all options are disabled.

If a button has multiple options, the desired option can be selected by pressing the button sequentially.

To delete the setting or to cancel the setting process, press the function button until the desired LED lights or -in case of only one option- the LED switches off.



Note: Factory settings

To get best results in each programme Haier has well defined specific default settings. If there is no special requirement default settings are recommended.

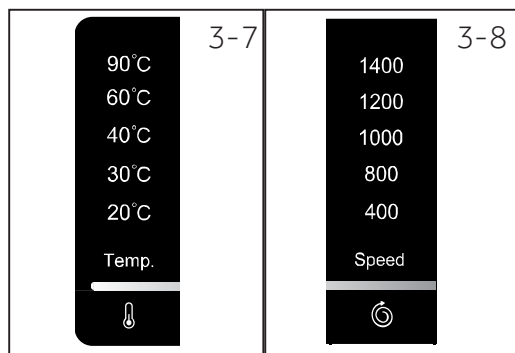
3.5.1-Function button "Temp."

Press this button (Fig. 3-7) to change the washing temperature of the programme. If no value is illuminated the water will not be heated.

In conjunction with the "Steam" button, the child lock function can be switch on/off (see CHILD LOCK).

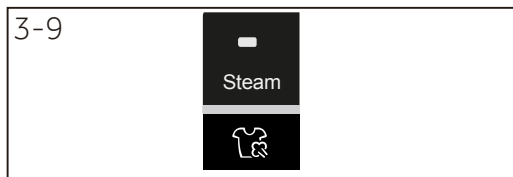
3.5.2-Function button "Speed"

Press this button (Fig. 3-8) to change or deselect the spin of the programme. If no value is illuminated the laundry will not spun.

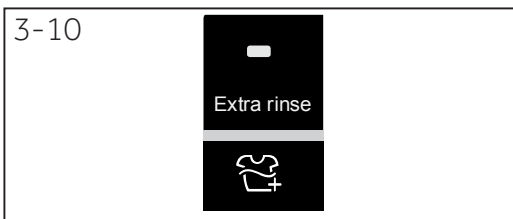


3.5.3-Function button "Steam"

Press this button (Fig. 3-9) to activate the steam function. When this function is activated the default temperature is the maximum temperature of the programme selected. This function can be activated only with the following programmes: Cotton, Synthetic, Mix, Baby Care, Hygiene. When the function is activated the led above the button will light up. Pushing again this button the function can be deactivated and the led above the button will turn off. When the function is activated the temperature of the programme cannot be changed.



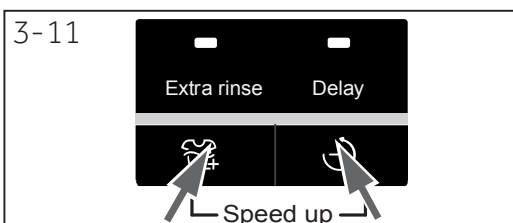
If "Temp." button is pushed the "Steam" function will be deactivated. You can activate "Steam" function only before to start any programme. You cannot activate "Steam" function while the appliance is already executing a programme.



3.5.4 Function button "Extra rinse"

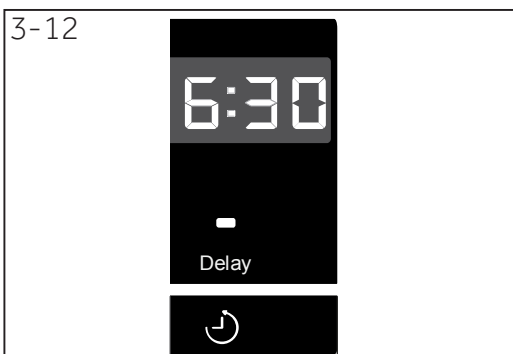
Press this button (Fig. 3-10) to rinse the laundry more intense with fresh water. This is recommended for people with sensitive skin.

By pressing the button several times one to three additional cycles can be selected. They appear in the display with **P--1/P--2/P--3**.



3.5.5 Function "Speed up"

This function saves time and energy. Preferable if laundry is slightly soiled. Press simultaneously button "Extra rinse" and "Delay" (Fig. 3-11) for about 3 seconds to activate the "Speed up" function; **SPEED UP** is displayed. This function is not available in all programmes (see PROGRAMMES).

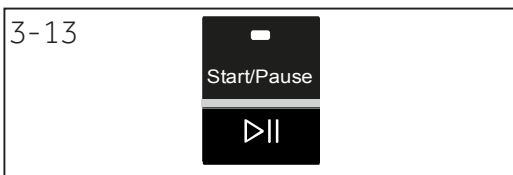


3.6 Function button "Delay"

Press this button (Fig. 3-12) to start the programme with a delay. End time delay could be increased in steps of 30 minutes from 0.5-24h. (add time to the original programme time). For example display off **6:30** means end of programme cycle will be in 6 hours and 30 minutes. Press "Start/Pause" button to activate delay. It is not applicable to programme Spin, Eco 40-60.

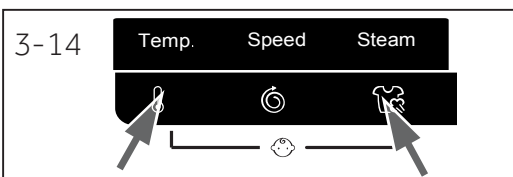
Note: Liquid detergent

If using liquid detergent, it is not recommended to activate the end time delay.



3.7 "Start/Pause" button

Press this button (Fig. 3-13) gently to start or interrupt the currently displayed programme. During programme setting and during programme run the LED above the button is shining, or if interrupted blinking.

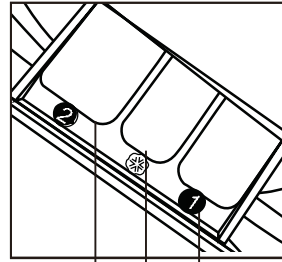


3.8 Child lock

Press button "Temp." and "Steam" (Fig. 3-14) for 3 seconds simultaneously to block all panel elements against activation. For unlocking please press again the two buttons.



The display shows **CLrd** (Fig. 3-15) if a button will be pressed, when the child lock is activated. The change is not running.



Detergent compartment for:

- ① Water inlet only, no detergent
- ② Detergent
- ☼ Softener or care product

● Yes, ○ Optional, / No

Programme	Max. load ¹⁾ in kg	Temperature in °C selectable range	Preset	Detergent compartment			Fabric type	Preset spin speed in rpm	Function		
				②	☼	①			Steam	Extra rinse	Speed up
Cotton	7	* to 90 ²⁾	40	●	○	/	Cotton	1400	●	●	●
Synthetic	3.5	* to 60	40	●	○	/	Synthetics or mixed fabric	1200	●	●	●
Mix	7	* to 60	30	●	○	/	Lightly soiled mixed-laundry of cotton and synthetics	1000	●	●	●
Baby Care	3.5	* to 90 ²⁾	40	●	○	/	Cotton/Synthetics	1000	●	●	●
Hygiene	3.5	90	90	●	○	/	Cotton	1000	●	●	/
Underwear	3.5	* to 60	40	●	○	/	Underwear	1000	/	●	●
Cotton 20°C	7	20	20	●	○	/	Cotton	1400	/	●	●
Eco 40-60	7	/	/	●	○	/	Cotton	/	/	/	/
Fast ³⁾	3.5	* to 40	40	●	○	/	Lightly soiled laun- dry made of cot- ton or synthetics	1000	/	●	/
Express ³⁾ 15min	1	* to 40	*	●	○	/	Cotton / Syn- thetics	1000	/	●	/
Sport	3.5	* to 40	20	●	○	/	Sports wear	800	/	●	/
Wool	1	* to 40	*	●	/	/	Machine-washa- ble fabric made of wool or with wool content	800	/	●	/
Delicate	1	* to 30	30	●	/	/	Delicate laundry and silk	400	/	●	/
Jeans	3.5	* to 60	30	●	○	/	Cotton	1000	/	●	●
Duvet	1	* to 40	40	●	/	/	Duvet	800	/	●	●
Spin	7	/	/	/	/	/	all fabrics	1000	/	/	/

¹⁾ Relating to dry laundry.

²⁾ Choose 90 °C wash temperature only for special hygiene requirements. *: water will not be heated (no value is illuminated).

³⁾ Reduce detergent amount because programme duration is short.

Scan QR code on energy label for energy consumption information.

The actual energy consumption may differ from the declared one according to local conditions.

EU1015/2010 program

Select Eco 40-60, press "speed" 10s, then adjust to 60°C/40°C with max. spin speed.

The standard 60°C and 40°C cotton programmes are suitable to clean normally soiled cotton laundry. They are the most efficient programmes in terms of combined energy and water consumption for cotton laundry. Actual water temperature may differ from declared cycle temperature.



Note: Auto Weight

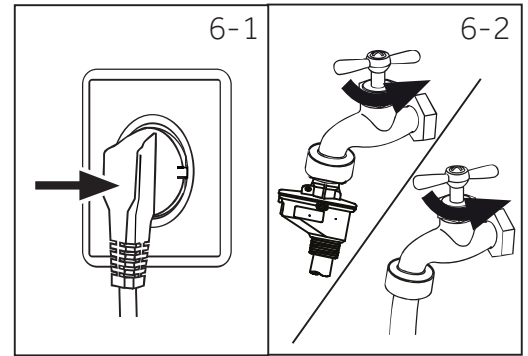
The appliance is equipped with a loading recognition. At low loading, energy, water and washing time will be reduced automatically in some programs. The display shows **AUTO**.

6.1 Power supply

Connect the washing machine to a power supply (220V to 240V~/50Hz; Fig. 6-1). Please refer also to section INSTALLATION.

6.2 Water connection

- ▶ Before connecting check the cleanliness and clarity of the water inlet.
- ▶ Turn on the tap (Fig.6-2).

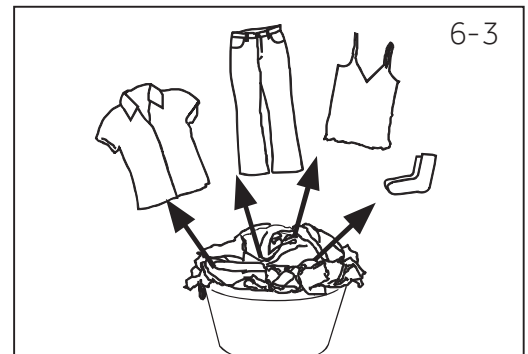


Note: Tightness

Before use check for leakage in the joints between the tap and the inlet hose by turning on the tap.

6.3 Preparing laundry

- ▶ Sort out clothes according to fabric (cotton, synthetics, wool or silk etc.) and to how dirty they are (Fig. 6-3). Pay attention to the care labelling of washing labels.
- ▶ Separate white clothes from coloured ones. Wash coloured textiles first by hand to check if they fade or run.
- ▶ Empty pockets (keys, coins, etc.) and remove harder decorative objects (e.g. brooches).
- ▶ Garments without hems, delicates and finely woven textile such as fine curtains are to be put into a wash bag to care for this delicate laundry (hand or dry cleaning would be better).
- ▶ Close zippers, velco fastener and hooks, make sure the buttons are sewn on tightly.
- ▶ Place sensitive items like laundry without firm hem, delicate underwear (Dessous) and small items such as socks, belts, bras, etc. in a wash bag.
- ▶ Unfold large pieces of fabric such as bed sheets, bedspreads etc.
- ▶ Turn jeans and printed, decorated or color-intensive textiles inside out; possibly wash separately.



CAUTION!

Non-textile, as well as small, loose or sharp-edged items may cause malfunctions and damage of clothes and appliance.

Care chart

Washing		
 Washable up to 95°C normal process	 Washable up to 60°C normal process	 Washable up to 60°C mild process
 Washable up to 40°C normal process	 Washable up to 40°C mild process	 Washable up to 40°C very mild process
 Washable up to 30°C normal process	 Washable up to 30°C mild process	 Washable up to 30°C very mild process
 Wash by hand max. 40°C	 Do not wash	
Bleaching		
 Any bleaching allowed	 Only oxygen/non-chlorine	 Do not bleach
Drying		
 Tumble drying possible normal temperature	 Tumble drying possible lower temperature	 Do not tumble dry
 Line drying	 Flat drying	
Ironing		
 Iron at a maximum temperature up to 200 °C	 Iron at a medial temperature up to 150°C	 Iron at a low temperature up to 110 °C; without steam (steam ironing may cause irreversible damage)
 Do not iron		
Professional Textile Care		
 Dry cleaning in tetra-chloroethene	 Dry cleaning in hydrocarbons	 Do not dry clean
 Professional wet clean	 Do not professional wet clean	

6.4 Loading the appliance

- ▶ Put in the laundry piece by piece.
- ▶ Don't overload. Note the different maximum load according to programmes! Rule of thumb for maximum load: Keep six inches between load and drum top.
- ▶ Close the door carefully. Make sure that no pieces of laundry are pinched.

6.5 Selecting detergent

- ▶ Washing efficiency and performance is determined by used detergent quality.
- ▶ Use only machine wash approved detergent.
- ▶ If needed use specific detergents, e.g. for synthetic and woolen fabric.
- ▶ Mind always detergent manufacturer recommendations.
- ▶ Do not use dry cleaning agents such as trichloroethylene and similar products.

Choose the best detergent

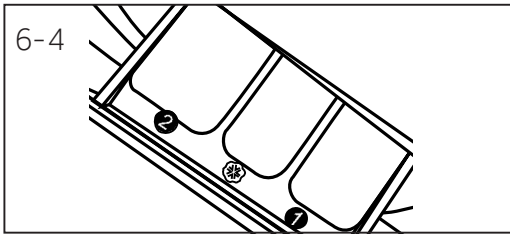
Programme	Kind of detergent				
	Universal	Colour	Delicate	Special	Softener
Cotton	L/P	L/P	-	-	0
Synthetic	-	L/P	-	-	0
Mix	L	L/P	-	-	0
Baby Care	-	-	L/P	L/P	0
Hygiene	L/P	L/P	-	-	0
Underwear	-	-	L/P	L/P	0
Cotton 20°C	L/P	L/P	-	-	0
Eco 40-60	L/P	L/P	-	-	0
Fast	L/P	L	-	-	0
Express 15 min	L	L	-	-	0
Sport	-	-	L/P	L/P	0
Wool	-	-	L/P	L/P	0
Delicate/silk	-	-	L/P	L/P	0
Jeans	L	L	-	-	0
Duvet	-	-	L	L/P	-
Spin	-	-	-	-	-

L = gel-/liquid detergent P = powder detergent O = optional - = no
 If using liquid detergent, it is not recommended to activate the time delay.

We recommend by using:

- ▶ Laundry powder: 20°C to 90°C* (best use: 40-60°C)
- ▶ Color detergent: 20°C to 60°C (best use: 30-60°C)
- ▶ Wool/delicate detergent: 20°C to 30°C (best use: 20-30°C)

* Choose 90 °C wash temperature only for special hygienic requirements.

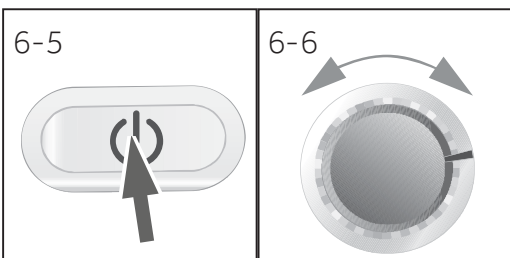


6.6 Adding detergent

1. Slide out the detergent drawer.
2. Put the required chemicals into corresponding compartments (Fig. 6-4).
3. Push back the drawer gently.

i Note:

- ▶ Remove detergent residues before next wash cycle from the detergent drawer.
- ▶ Do not overuse detergent or softener.
- ▶ Please follow the instruction on the detergent package.
- ▶ Always fill the detergent just before the beginning of the wash cycle.
- ▶ Concentrated liquid detergent should be diluted before adding into compartment 2.
- ▶ The best use of liquid detergent is by using a dosing ball, which is given with the laundry into the washing machine.
- ▶ Do not use liquid detergent if "end time delay" is selected.
- ▶ Carefully choose the programme settings according to the care symbols on all laundry labels and according to the programme table.



6.7 Switch on the appliance

Press the "on/off" button to switch on the appliance (Fig. 6-5). The LED of the "Start/Pause" button is flashing.

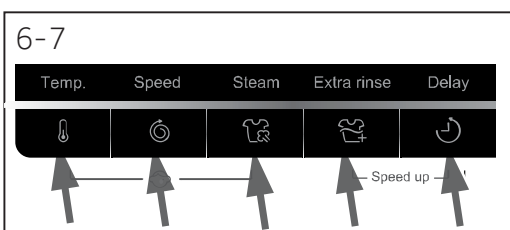
6.8 Select a programme

To get the best washing results, select a programme which fits the degree of soiling and sort of laundry type.

Turn the programme knob (Fig. 6-6) to select the right programme. Related programme LED lights up and the default settings are displayed.

i Note: Odour removal

Before first use we recommended to run programme HYGIENE with no load and small amount of detergent in washing agent compartment (2) or special machine cleaner to remove possibly corruptive residues.



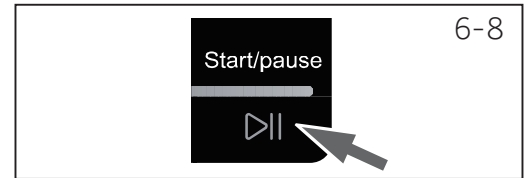
6.9 Add individual selections

Select required options and settings (Fig. 6-7); refer to CONTROL PANEL.

6.10 Start wash programme

Press "Start/Pause" button (Fig. 6-8) to start. The LED of the "Start/Pause" button stops flashing and lights up continuously.

Appliance operates according to present settings. Changes are only possible by cancelling the programme.



6.11 Interrupt / cancel wash programme

To interrupt a running programme press gently "Start/Pause". The LED above the button is flashing. Press it again to resume operation.

To cancel a running programme and all its individual settings:

1. Press "Start/Pause" button to interrupt the running programme.
2. Press "On/Off" button for about 2 seconds to switch the appliance off.
3. Press "On/Off" button to turn on the appliance, select programme Spin and then select "no Speed" (speed lights are off), start the machine to drain the water.
4. After closing the program to restart the appliance, select a new programme and start it.

6.12 After washing

Note: Door lock

- ▶ For safety reasons the door is locked partially during the washing cycle. It is only possible to open the door at the end of the programme or after the programme was cancelled correctly (see description above).
- ▶ In case of high water level, high water temperature and during spinning it is not possible to open the door; **Locl-** is displayed.

1. At programme cycle end **End** is displayed.
2. The appliance switches off automatically.
3. Remove laundry as soon as possible to go easy on it and to prevent more wrinkling.
4. Turn off the water supply.
5. Unplug the power cord.
6. Open the door to prevent formation of moisture and odours. Let it open while not used.

Note: Standby mode / energy-saving mode

The switched on appliance will go into standby mode if it will not be activated within 2 minutes before starting the program or at the end of program. The display switches off. This saves energy. To interrupt the standby mode push "Start/Pause" button.

6.13 Activate or deactivate the buzzer

The acoustic signal can be selected if necessary:

1. Switch on the appliance.
2. Select the SPIN programme.
3. Press the "Steam" button and "Extra rinse" button at the same time for about 3 seconds. **"bEEP OFF"** will be displayed and the buzzer will be deactivated.

For activating the buzzer press these two buttons at the same time again. **"bEEP ON"** will be displayed.



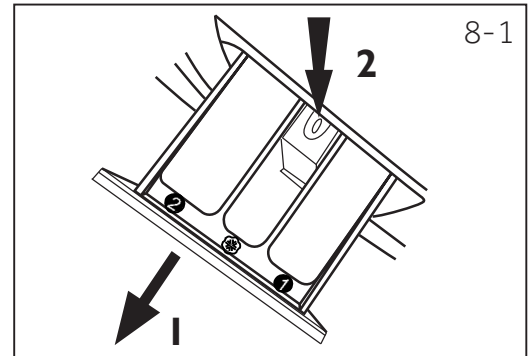
Environmentally responsible use

- ▶ To achieve best use of energy, water, detergent and time you should use the recommended maximum load size.
- ▶ Do not overload (hand width clearance above laundry).
- ▶ For slightly soiled laundry select the Express 15min programme.
- ▶ Apply exact dosages of each washing agent.
- ▶ Choose the lowest adequate washing temperature - modern detergents are efficiently cleaning below 60°C.
- ▶ Raise default settings only due to heavy staining.
- ▶ Select maximum spinning speed if a domestic dryer is used.

8.1 Cleaning the detergent drawer

Take always care there are no detergent residues. Clean the drawer regularly (Fig. 8-1):

1. Pull out the drawer until it stops.
2. Press the release button and remove the drawer.
3. Flush the drawer with water until it is clean and insert the drawer back in the appliance.



8.2 Cleaning the machine

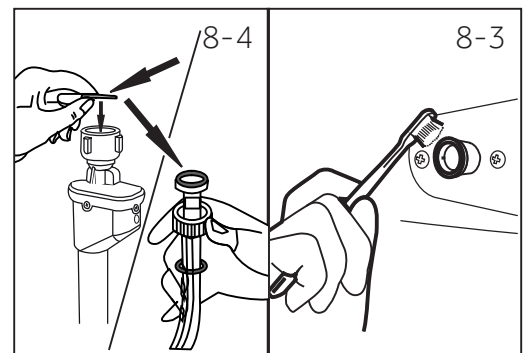
- ▶ Unplug the machine during cleaning and maintenance.
- ▶ Use a soft cloth with soap liquid to clean the machine case (Fig. 8-2) and rubber components.
- ▶ Do not use organic chemicals or corrosive solvents.



8.3 Water inlet valve and inlet valve filter

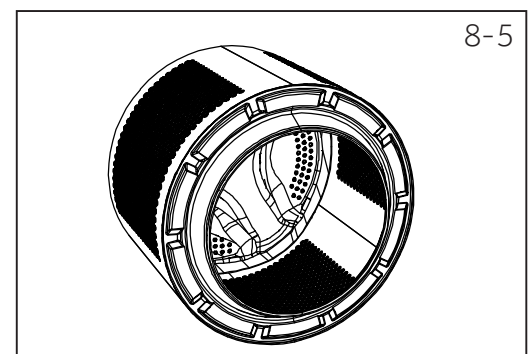
To prevent blockage of water supply by solid substances like lime clean regularly the inlet valve filter.

- ▶ Unplug the power cord and turn off the water supply.
- ▶ Unscrew the water inlet hose at the back (Fig. 8-3) of the appliance as well as on the tap.
- ▶ Flush the filters with water and a brush (Fig. 8-4).
- ▶ Insert the filter and install the inlet hose.



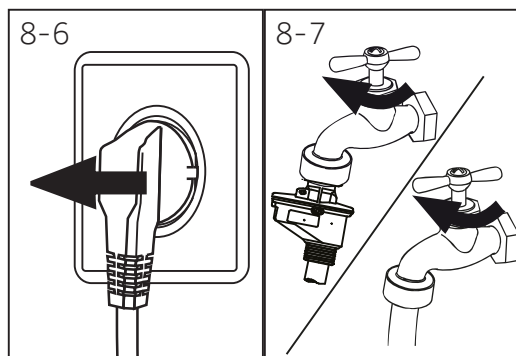
8.4 Cleaning the drum

- ▶ Remove accidentally washed metal parts such as pins, coins, etc. from the drum (Fig. 8-5) because they cause rust stains and damage.
- ▶ Use a non-chloride cleaner for removing rust stains. Observe the warning hints of the cleaning agent manufacturer.
- ▶ Do not use any hard objects or steel wool for cleaning.



Note: Hygiene

For regular maintenance we recommend to run programme HYGIENE with no load in order to remove possible corruptive residues quarterly. Add a small amount of detergent in washing agent compartment (2) or use a special machine cleaner.



8.5 Long periods of disuse

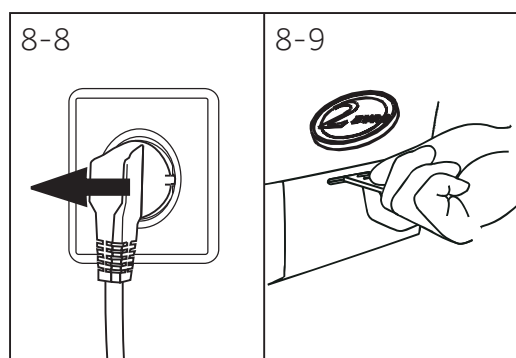
If the appliance is left idle for a longer period:

1. Pull out the electrical plug (Fig. 8-6).
2. Turn off water supply (Fig. 8-7).
3. Open the door to prevent formation of moisture and odours. Let door open while not used.

Before next usage check carefully power cord, water inlet and drain hose. Make sure everything is properly installed and without leakage.

i Note: Hygiene

After long periods of disuse we recommended to run programme HYGIENE with no load and small amount of detergent in washing agent compartment (2) or special machine cleaner to remove possibly corruptive residues.



8.6 Pump filter

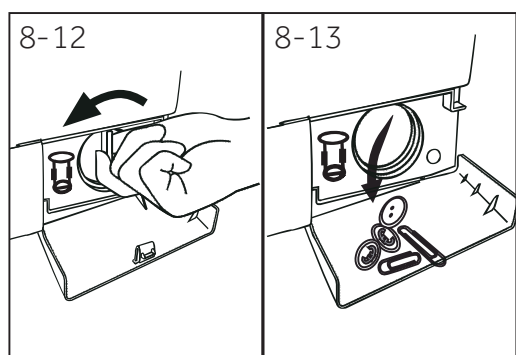
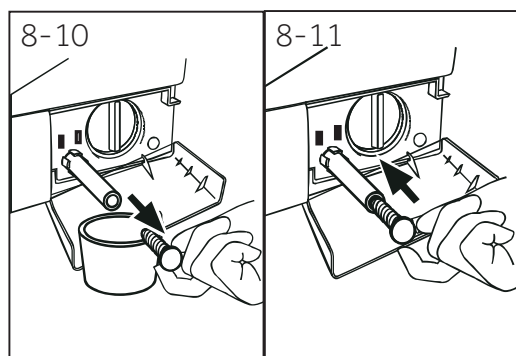
Clean the filter once a month and check the pump filter for instance if the appliance:

- ▶ Doesn't drain the water.
- ▶ Doesn't spin.
- ▶ Cause unusual noise while running.



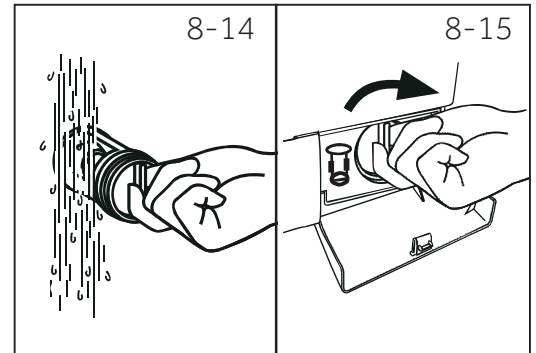
WARNING!

Scalding Risk! Water in the pump filter can be very hot! Before any action please ensure water has cooled down.



1. Turn off and unplug the machine (Fig. 8-8).
2. Open service flap. You can either use a coin or a screwdriver (Fig. 8-9).
3. Provide a flat container to catch leach water (Fig. 8-10). There could be bigger amounts!
4. Pull the drainhose out and hold its end above the container (Fig. 8-10).
5. Take the sealing plug out of the drainhose (Fig. 8-10).
6. After complete drainage close drainhose and push it back into the machine (Fig. 8-11).
7. Unscrew and remove counter clockwise the pump filter (Fig. 8-12).
8. Remove contaminants and dirt (Fig. 8-13).

9. Clean carefully pump filter, e.g. using running water (Fig. 8-14).
10. Refix it thoroughly (Fig. 8-15).
11. Close service flap.

**CAUTION!**

- ▶ Pump filter sealing has to be clean and unhurt. If the lid is not full tightened, water can escape.
- ▶ The filter must be in place, or it may lead to leakage.

Many occurring problems could be solved by yourself without specific expertise. In case of a problem please check all shown possibilities and follow below instructions before you contact an after sales service. See CUSTOMER SERVICE.



WARNING!

- ▶ Before maintenance, deactivate the appliance and disconnect the mains plug from the mains socket.
- ▶ Electrical equipment should be serviced only by qualified electrical experts, because improper repairs can cause considerable consequential damages.
- ▶ A damaged power cable should only be replaced by the manufacturer, its service agent or similarly qualified persons in order to avoid a hazard.

9.1 Information codes

Following codes are displayed only for information referring to the washing cycle. No measures must be performed.

Code	Message
1:25	The remaining wash cycle time will be 1 hour and 25 minutes.
6:30	The remaining wash cycle time including chosen end-time delay will be 6 hours and 30 minutes.
P-- 1/2/3	1/2/3 additional rinses are chosen (see FUNCTION BUTTONS "Extra rinse").
End	The washing cycle is finished. The appliance shuts off automatically.
cLrd	Function child lock is activated.
Loct	Door is closed because of high water level, high water temperature or spinning cycle.
bEEP OFF	The buzzer is deactivated.
bEEP ON	The buzzer is activated.
SPEED UP	Function "Speed up" is activated.

9.2 Troubleshooting with display code

Problem	Cause	Solution
CLr FLtr	<ul style="list-style-type: none"> • Drainage error. 	<ul style="list-style-type: none"> • Clean pump filter. • Check drain hose installation.
E2	<ul style="list-style-type: none"> • Lock error. 	<ul style="list-style-type: none"> • Shut the door properly.
E4	<ul style="list-style-type: none"> • Water level not reached. • Drain hose is self-siphoning. 	<ul style="list-style-type: none"> • Make sure that tap is fully opened and water pressure is normal. • Check drain hose installation.
EE	<ul style="list-style-type: none"> • Water protective level error. 	<ul style="list-style-type: none"> • Contact the After sales service.

Program	Cause	Solution
F8	<ul style="list-style-type: none"> Water level sensor error. 	<ul style="list-style-type: none"> Contact the After sales service.
F3	<ul style="list-style-type: none"> Temperature sensor error. 	<ul style="list-style-type: none"> Contact the After sales service.
F4	<ul style="list-style-type: none"> Heating error. 	<ul style="list-style-type: none"> Contact the After sales service.
F7	<ul style="list-style-type: none"> Motor error. 	<ul style="list-style-type: none"> Contact the After sales service.
FE0, FE1 or FE2	<ul style="list-style-type: none"> Abnormal communication error. 	<ul style="list-style-type: none"> Contact the After sales service.
Unb	<ul style="list-style-type: none"> Unbalanced load error. 	<ul style="list-style-type: none"> Check and balance laundry load in the drum. Reduce the load.

9.3 Troubleshooting without display code

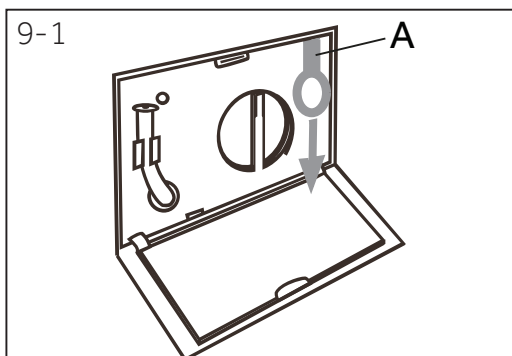
Problem	Cause	Solution
Washing machine fails to operate.	<ul style="list-style-type: none"> Programme is not yet started. Door is not properly closed. Machine has not been switched on. Power failure. Child lock is activated. 	<ul style="list-style-type: none"> Check programme and start it. Close the door properly. Switch the machine on. Check power supply. Deactivate child lock.
Washing machine will not be filled with water.	<ul style="list-style-type: none"> No water. Inlet hose is kinked. Inlet hose filter is blocked. Water pressure is less than 0.03 MPa. Door is not properly closed. Water supply failure. 	<ul style="list-style-type: none"> Check water tap. Check inlet hose. Unblock inlet hose filter. Check water pressure. Close the door properly. Ensure the water supply.
Machine is draining while being filled.	<ul style="list-style-type: none"> Height of drain hose is below 80 cm. Drain hose end could reach into water. 	<ul style="list-style-type: none"> Make sure that drain hose is properly installed. Make sure the drain hose is not in water.
Drainage failure.	<ul style="list-style-type: none"> Drain hose is blocked. Pump filter is blocked. Drain hose end is higher than 100 cm above floor level. 	<ul style="list-style-type: none"> Unblock drain hose. Clean pump filter. Make sure that drain hose is properly installed.
Strong vibration while spinning.	<ul style="list-style-type: none"> Not all transportation bolts have been removed. Appliance has no solid position. Machine load is not correct. 	<ul style="list-style-type: none"> Remove all transportation bolts. Ensure solid ground and a levelled position. Check load weight and balance.
Operation stops before completing wash cycle.	<ul style="list-style-type: none"> Water or electric failure. 	<ul style="list-style-type: none"> Check power and water supply.
Operation stops for a period of time.	<ul style="list-style-type: none"> Appliance displays error code. Problem due to load pattern. Programme performs soaking cycle. 	<ul style="list-style-type: none"> Consider display codes. Reduce or adjust load. Cancel programme and restart.

Problem	Cause	Solution
Excessive foam floats drum and/or detergent drawer.	<ul style="list-style-type: none"> • Detergent is not appropriate. • Excessive use of detergent. 	<ul style="list-style-type: none"> • Check detergent recommendations. • Reduce amount of detergent.
Automatic adjustment of washing time.	<ul style="list-style-type: none"> • Washing programme duration will be adjusted. 	<ul style="list-style-type: none"> • This is normal and doesn't affect functionality.
Spinning fails.	<ul style="list-style-type: none"> • Unbalance of laundry. 	<ul style="list-style-type: none"> • Check machine load and laundry and run a spinning programme again.
Unsatisfactory washing result.	<ul style="list-style-type: none"> • Degree of pollution does not agree with selected programme. • Detergent quantity was not sufficient. • Maximum load has been exceeded. • Laundry was unevenly distributed in the drum. 	<ul style="list-style-type: none"> • Select an other programme. • Choose the detergent according to the degree of pollution and according to manufacturer specifications. • Reduce loading. • Loose the laundry.
Washing powder residues are on the laundry.	<ul style="list-style-type: none"> • Insoluble particles of detergent can remain as white spots on the laundry. 	<ul style="list-style-type: none"> • Perform extra rinse. • Try to brush the points from the dry laundry. • Choose an other detergent.
Laundry has grey patches.	<ul style="list-style-type: none"> • Caused by fats such as oils, creams or ointments. 	<ul style="list-style-type: none"> • Pretreat the laundry with a special cleaner.

i Note: Foam formation

If too much foam is inspected during spin cycle, motor stops and drain pump will be activated for 90 seconds. If that elimination of foam fails up to 3 times, programme ends without spinning.

Should the error messages reappear even after the taken measures, switch off the appliance, disconnect the power supply and contact the customer service.



9.4 In case of power failure

The current programme and its setting will be saved. When power supply is restored operation will be resumed.

In case of power failure during programme run door opening is mechanically blocked. If the laundry is to be removed, the water level must not be visible in the glass door. Danger of scalding!

- ▶ Lower the water level according to step 1 to 6 of chapter CARE AND CLEANING (PUMP FILTER).
- ▶ Pull lever (A) beneath service flap (Fig. 9-1) until door is unlocked by a gentle click.
- ▶ Fix all parts and close the service flap.

10.1 Preparation

- ▶ Take the appliance out of the packaging.
- ▶ Remove all packaging material including polystyrene base, keep them out of childrens reach. While opening the package, water drops may be seen on plastic bag and port-hole. This normal phenomenon results from water tests in the factory.



Note: Packaging disposal

Keep all packaging materials out of children's reach and dispose them in an environmentally friendly manner.

10.2 Noise resuction pads installation instructions

1. When opening the shrink package, you will find noise reduction pads.

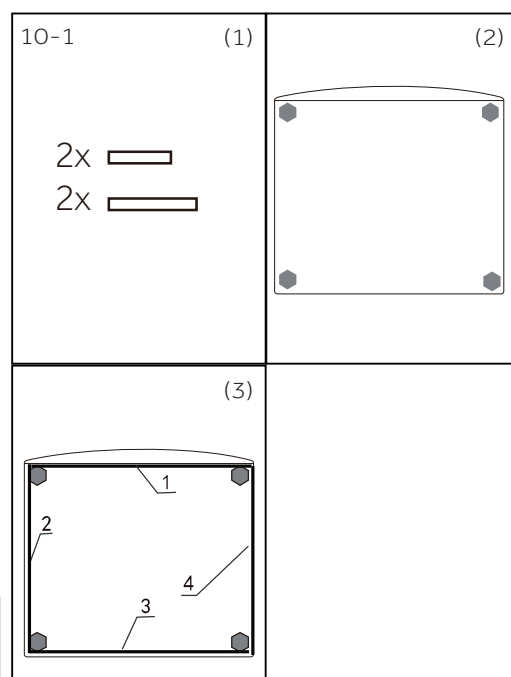
These are used for reducing noise. (Fig. 10-1)

2. Lay the washing machine down to its side, porthole pointing upwards, bottom side towards operator.

3. Take out the noise reduction pads and remove the double-sided adhesive protective film; the noise reduction pads under the washing machine cabinet as shown in Figure 10.1(3), two longer pads in position 1 and 3, two shorter pads in position 2 and 4. Finally set the machine upright again.

Warm tip:

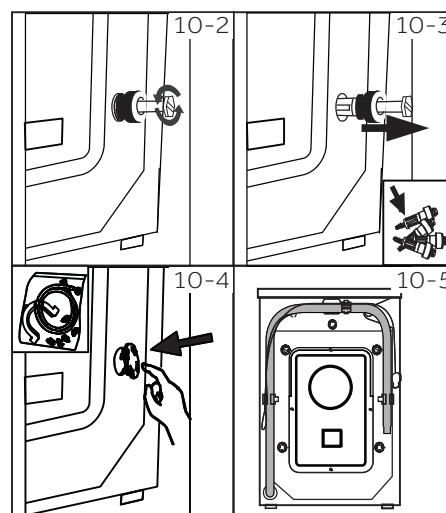
Noise reduction pad is optional, could help to reduce noise, please assemble it or not according to your own demand.



10.3 Dismantle the transportation bolts

The transportation bolts are designed for clamping anti-vibration components inside the appliance during transportation to prevent inner damage.

1. Remove all 4 bolts on the rear side and take out plastic spacers (Fig. 10-2)(Fig. 10-3).
2. Fill left holes with blanking plugs (Fig. 10-4)(Fig. 10-5).





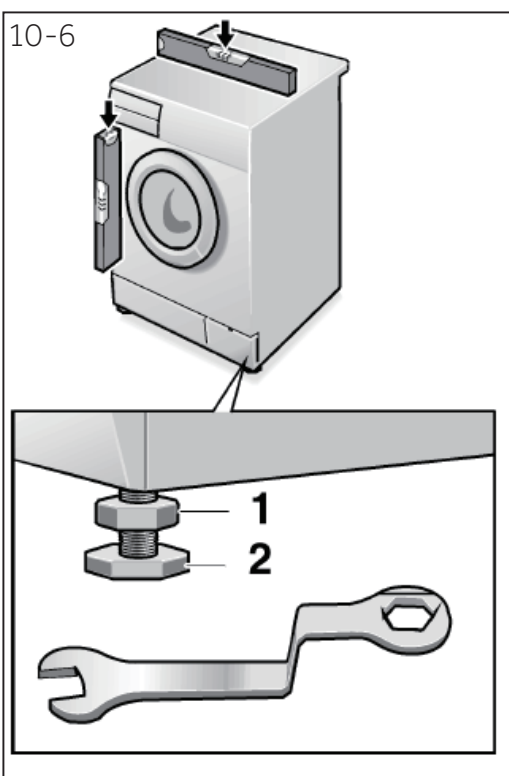
Note: Keep in safe place

Keep the transportation bolts in a safe place for later use. Whenever the appliance is to be moved at first reinstall the bolts.

10.4 Moving the appliance

If the machine is to be moved to a distant location, replace the transportation bolts removed before installation to prevent damage:

1. Remove the blanking plugs.
2. Remove the back cover.
3. Insert the plastic spacers and the transportation bolts.
4. Tighten the bolts with a spanner.
5. Replace the back cover.



10.5 Aligning the appliance

Adjust all feet (Fig. 10-6) to achieve a complete level position. This will minimize vibrations and thus noise during use. It will also reduce wear and tear. We recommend to use a spirit level for adjustment. Floor should be as stable and flat as possible.

1. Loose the locknut (1) by using a wrench.
2. Adjust the high by turning the foot (2).
3. Tighten locknut (1) against the housing.

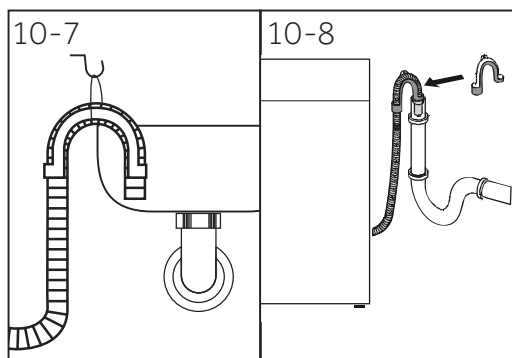
10.6 Drain water connection

Fix the water drain hose properly to the piping. The hose has to reach at one point a height between 80 and 100 cm above the appliance bottom line! If possible keep always drain hose fixed to the clip at the appliance back.



WARNING!

- ▶ Use only the supplied hose set for the connection.
- ▶ Never reuse old hose sets!
- ▶ Only connect to cold water supply.
- ▶ Before connection, check whether the water is clean and clear.



Following connections are possible:

10.6.1 Drain hose to sink

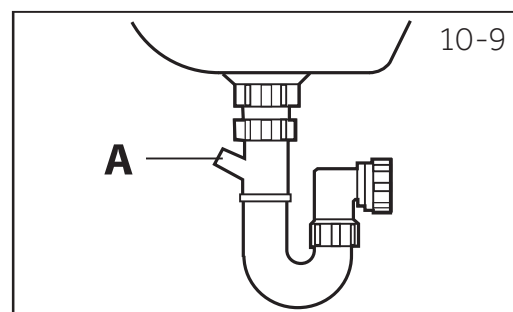
- ▶ Hang the drain hose with the U-support over the edge of a sink with adequate size (Fig. 10-7).
- ▶ Protect the U-support sufficiently against slipping.

10.6.2 Drain hose to waste water connection

- ▶ The internal diameter of the stand pipe with vent-hole must be minimum 40 mm.
- ▶ Put the drain hose for approx. 80 mm in the wastewater pipe.
- ▶ Attach the U-support and secure it sufficiently (Fig. 10-8).

10.6.3 Drain hose to sink connection

- ▶ The junction must lie above the siphon.
- ▶ A spigot connection is usually closed by a pad (A). That must be removed to prevent any disfunction (Fig. 10-9).
- ▶ Secure the drain hose with a clamp.



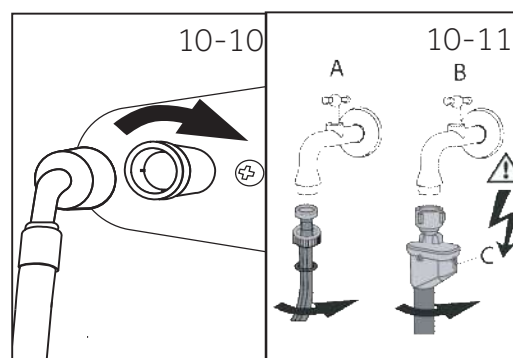
CAUTION!

- ▶ The drain hose should not be submerged in water and should be securely fixed and leak-free. If the drain hose is placed on the ground or if the pipe is at a height of less than 80 cm, the washing machine will continuously drain while being filled (self-siphoning).
- ▶ Drain hose is not to be extended. If necessary contact after sales service.

10.7 Fresh water connection

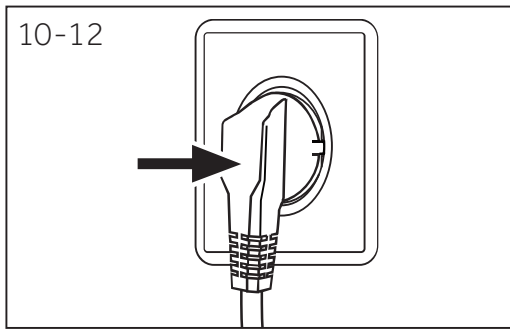
Make sure that the gaskets are inserted.

1. Connect the water inlet hose with the angled end to the appliance (Fig. 10-10). Tighten the screw joint by hand.
2. The other end connect to a water tap with a 3/4" thread (Fig. 10-11).



Note: Aqua-stop system:

Some models are equipped with an aqua-stop inlet hose (B). The aqua-stop system protects against water damage by automatically cutting the fresh water supply in case of a leaking hose. This is indicated by a red marker (C). The hose must be replaced.



10.8 Electrical connection

Before each connection check if:

- ▶ Power supply, socket and fusing are appropriate to the rating plate.
- ▶ The power socket is earthed and no multi-plug or extension are used.
- ▶ The power plug and socket are strictly according.
- ▶ **Only UK:** The UK plug meets BS1363A standard.

Put the plug into the socket (Fig. 10-12).



WARNING!

- ▶ Ensure always that all connections (power supply, drain and fresh water hose) are firm, dry and leak free!
- ▶ Take care these parts are never to be crushed, kinked, or twisted.
- ▶ If the supply cord is damaged, it must be replaced by the service agent (see warranty card) in order to avoid a hazard.



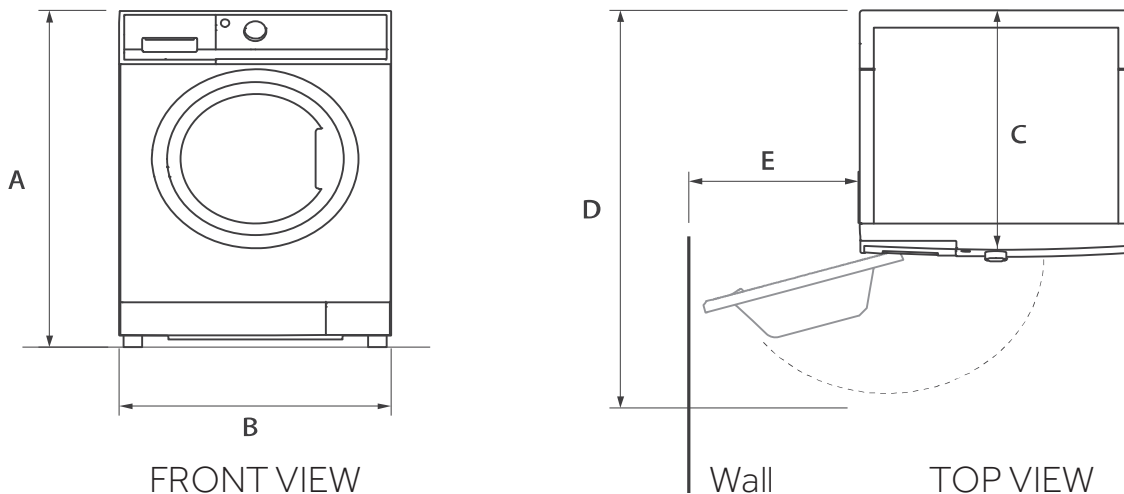
Note: Hygiene

After each installation or long periods of disuse, before first use and for regular maintenance run programme HYGIENE with no load and small amount of detergent in washing agent compartment (2) or with special machine cleaner to remove possibly correlative residues.

11.1 Additional technical data

	HW70-BP1439N
Voltage in V	220-240 V~/50Hz
Current in A	10
Max power in W	1900
Water pressure in MPa	$0.03 \leq P \leq 1$
Netto weight in kg	64

11.2 Product dimensions



PRODUCT DIMENSIONS	HW70-BP1439N
A Overall height of product mm	850
B Overall width of product mm	595
C Overall depth of product (To main control board size) mm	460
D Depth of door open mm	960
E Minimum door clearance to adjacent wall mm	400

Note: The exact height of your washer is dependent on how far the feet are extended from the base of the machine. The space where you install your washer needs to be at least 40mm wider and 20mm deeper than its dimensions.

11.3 Standards and Directives **CE**

This product meets the requirements of all applicable EC directives with the corresponding harmonised standards, which provide for CE marking.

We recommend our Haier Customer Service and the use of original spare parts.
If you have a problem with your appliance, please first check section TROUBLESHOOTING.

If you cannot find a solution there, please contact:

- ▶ your local dealer.
- ▶ the Service & Support area at www.haier.com where you can find telephone numbers and FAQs and where you can activate the service claim.

To contact our Service, ensure that you have the following data available.
The information can be found on the rating plate.

Model _____ Serial No. _____

Also check the Warranty Card supplied with the product in case of warranty.


For general business enquiries please find below our addresses in Europe:

European Haier addresses			
Country*	Postal address	Country*	Postal address
Italy	Haier Europe Trading SRL Via De Cristoforis, 12 21100 Verese ITALY	France	Haier France SAS 3-5 rue des Gravieres 92200 Neuilly sur Seine FRANCE
Spain Portugal	Haier Iberia SL Pg. Garcia Faria, 49-51 08019 Barcelona SPAIN	Belgium-FR Belgium-NL Netherlands Luxembourg	Haier Benelux SA Anderlecht Route de Lennik 451 BELGIUM
Germany Austria	Haier Deutschland GmbH Konrad-Zuse-Platz 6 81829 München GERMANY	Poland Czechia Hungary Greece Romania Russia	Haier Poland Sp. zo.o. Al. Jerozolimskie 181B 02-222 Warszawa POLAND
United Kingdom	Haier Appliances UK Co.Ltd. One Crown Square Church Street East Woking, Surrey, GU21 6HR UK		

*For more information please refer to www.haier.com



Haier



Manuel d'utilisation
du lave-linge

HW70-BP1439N

FR

Haier

Nous vous remercions d'avoir acheté un produit Haier.

Veillez lire attentivement ces instructions avant d'utiliser l'appareil. Ces instructions sont des informations utiles vous permettant de mieux exploiter cet appareil, et vous assurer une installation, une utilisation et un entretien sécurisés et adéquats.

Veillez bien garder ce manuel et toujours vous y référer pour une utilisation sécurisée et adéquate de l'appareil.

Si vous devez vendre, donner ou abandonner l'appareil pour cause de déménagement, assurez-vous également de laisser ce manuel afin que le prochain utilisateur puisse maîtriser l'appareil, notamment les règles de sécurité.

Légende



Attention - Règles importantes de sécurité

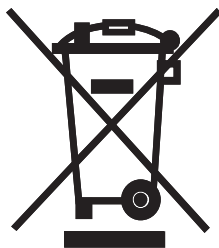


Généralités et conseils



Informations sur l'environnement

Mise au rebut



Contribuez à la protection de l'environnement et de la santé humaine. Veuillez mettre les emballages au rebut dans les espaces conformes pour leur recyclage. Contribuez à recycler les déchets d'appareils électriques et électroniques. Ne mettez pas au rebut les appareils marqués de ce symbole avec les déchets ménagers. Veuillez déposer l'appareil à votre usine de recyclage locale, ou prendre contact avec votre bureau municipal.



AVERTISSEMENT !

Risque de blessure ou d'asphyxie !

Débranchez l'appareil de toute alimentation principale. Coupez les câbles primaires et mettez-les au rebut. Retirez le verrou de la porte pour éviter qu'un enfant ou un animal domestique ne soit coincé dans l'appareil.

1-Consignes de sécurité.....	4
2-Description du produit	7
3-Panneau de commande.....	8
4-Programmes	11
5-Consommation.....	12
6-Utilisation quotidienne	13
7-Lavage écologique	18
8-Entretien et nettoyage	19
9-Dépannage.....	22
10-Installation.....	26
11-Informations techniques.....	30
12-Service clientèle.....	32

Avant de mettre l'appareil en marche pour la première fois, veuillez lire les consignes de sécurité ci-après ! :



AVERTISSEMENT !

Avant la première utilisation

- ▶ Vérifiez que l'appareil n'a subi aucun dommage lié au transport.
- ▶ Retirez tous les boulons de transport.
- ▶ Retirez tous les emballages et tenez-les hors de portée des enfants.
- ▶ Il faut toujours au moins deux personnes pour la manipulation de l'appareil car il est lourd.

Utilisation quotidienne

- ▶ Cet appareil peut être utilisé par des enfants âgés d'au minimum 8 ans, ainsi que par des personnes avec des capacités physiques, sensorielles ou mentales réduites ou sans expérience et connaissances, si elles sont supervisées ou ont été formées à l'utilisation sécurisée de l'appareil et comprennent les risques relatifs à son usage.
- ▶ Tenez les enfants de moins de 3 ans hors de portée de l'appareil, sauf s'ils sont en permanence surveillés.
- ▶ Les enfants ne doivent pas jouer avec l'appareil.
- ▶ Ne laissez pas un enfant ou un animal domestique s'approcher de l'appareil lorsque la porte est ouverte.
- ▶ Tenez les produits de lavage hors de la portée des enfants.
- ▶ Remontez les fermetures à glissière, recousez les éléments mal fixés et faites attention aux petits articles pour éviter que le linge ne s'emmêle. Si nécessaire, utilisez un sac ou un filet approprié.
- ▶ Évitez de toucher ou d'utiliser l'appareil pieds nus ou lorsque vos mains ou vos pieds sont mouillés ou humides.
- ▶ Évitez de couvrir l'appareil pendant qu'il fonctionne ou après utilisation, pour laisser l'humidité s'évaporer.
- ▶ Évitez de déposer des objets lourds ou des sources de chaleur ou d'humidité sur l'appareil.
- ▶ Évitez d'utiliser ou de conserver du détergent inflammable ou des agents de nettoyage à sec à proximité de l'appareil.
- ▶ Évitez d'utiliser un pulvérisateur inflammable à proximité de l'appareil.
- ▶ Évitez de laver des vêtements traités avec des solvants dans l'appareil sans les avoir préalablement séchés à l'air.
- ▶ Évitez de retirer ou d'insérer la prise en présence de gaz inflammables



AVERTISSEMENT !

Utilisation quotidienne

- ▶ Évitez de laver des matériaux du type caoutchouc ou éponge à des températures élevées.
- ▶ Évitez d'ouvrir le bac à lessive pendant le cycle de lavage.
- ▶ Évitez de toucher la porte pendant le lavage, car elle devient chaude.
- ▶ Évitez d'ouvrir la porte si l'eau est visible à travers le hublot.
- ▶ Évitez d'ouvrir la porte en la forçant. Elle est équipée d'un système de verrouillage et s'ouvre quelques instants après la fin du cycle de lavage.
- ▶ Arrêtez l'appareil après chaque programme de lavage et avant d'entreprendre tout entretien, et débranchez l'appareil de l'alimentation électrique pour économiser l'énergie et pour des fins de sécurité.
- ▶ Tenez la prise et non le cordon pour débrancher l'appareil.

Entretien et nettoyage

- ▶ Assurez-vous que les enfants sont sous surveillance lors du nettoyage et de l'entretien.
- ▶ Débranchez l'appareil de l'alimentation électrique avant d'entreprendre tout entretien.
- ▶ Gardez la partie inférieure du hublot propre et évitez d'ouvrir la porte et le bac à lessive lorsque l'appareil est en marche.
- ▶ N'utilisez pas un pulvérisateur d'eau ou nettoyant à vapeur pour nettoyer l'appareil.
- ▶ Faites remplacer le cordon d'alimentation endommagé par le fabricant, son représentant ou par des personnes qualifiées uniquement afin d'éviter tout risque.
- ▶ N'essayez pas de réparer vous-même l'appareil. En cas de réparation, veuillez contacter notre service clientèle.

Installation

- ▶ Placez l'appareil dans un endroit bien ventilé. Choisissez un emplacement qui permet d'ouvrir complètement la porte.
- ▶ N'installez jamais l'appareil à l'extérieur dans un endroit humide, ou dans un lieu qui serait sujet à des fuites d'eau, comme en dessous ou à proximité d'un bloc-évier. En cas de fuite d'eau, coupez l'alimentation électrique et laissez le lave-linge sécher naturellement.
- ▶ Installez ou utilisez l'appareil uniquement dans des endroits où la température est supérieure à 5 °C.



AVERTISSEMENT !

Installation

- ▶ Évitez de placer l'appareil directement sur un tapis ou près d'un mur ou d'un meuble.
- ▶ N'installez pas l'appareil en direction des rayons solaires ou à proximité des sources de chaleur (par exemple, les cuisinières, chauffe-eau).
- ▶ Vérifiez que les informations électriques sur la plaque signalétique sont conformes à l'alimentation électrique. Si ce n'est pas le cas, veuillez contacter un électricien.
- ▶ N'utilisez pas des adaptateurs multiprises et des rallonges.
- ▶ Assurez-vous d'utiliser uniquement l'ensemble de cordon électrique et de flexible d'arrivée d'eau livré.
- ▶ Assurez-vous que le cordon d'alimentation et la prise ne sont pas endommagés. S'ils sont endommagés, veuillez les faire remplacer par un électricien.
- ▶ Pour l'alimentation électrique, utilisez une prise avec mise à la terre différente, facilement accessible après l'installation. Mettez à la terre cet appareil.

Uniquement pour le Royaume-Uni : Cet appareil est équipé d'un cordon d'alimentation avec fiche à 3 fils (mise à la terre), répondant aux normes de la prise à 3 fils (mise à la terre). Ne coupez jamais ou ne démontez jamais le troisième fil (mise à la terre). Une fois l'appareil installé, la prise doit être accessible.

- ▶ Assurez-vous que les joints et raccords du flexible d'arrivée d'eau sont serrés et qu'il n'y a pas de fuite.

Utilisation prévue

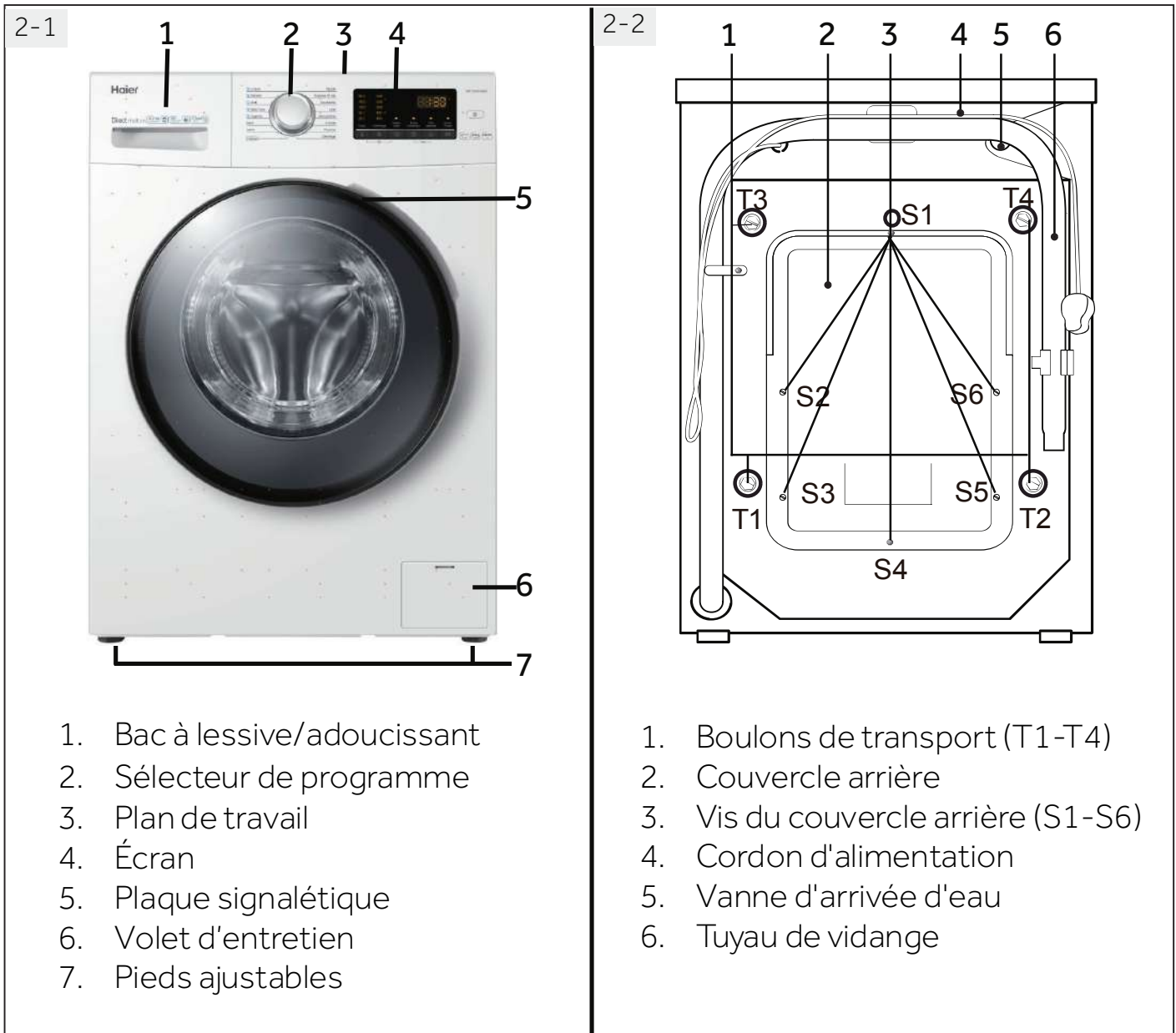
Cet appareil est conçu pour le linge lavable au lave-linge uniquement. Suivez à chaque fois les instructions fournies sur l'étiquette de chaque vêtement. Il est également conçu exclusivement pour un usage domestique à l'intérieur de la maison. Il n'est pas destiné à un usage commercial ou industriel.

Aucune modification ou altération de cet appareil n'est autorisée. Toute utilisation inadéquate vous expose à des risques et la perte de tous les droits de garantie et d'actions en responsabilité.

i Remarque :

En raison des modifications techniques et des divers modèles, les illustrations des chapitres suivants peuvent être différentes de votre modèle.

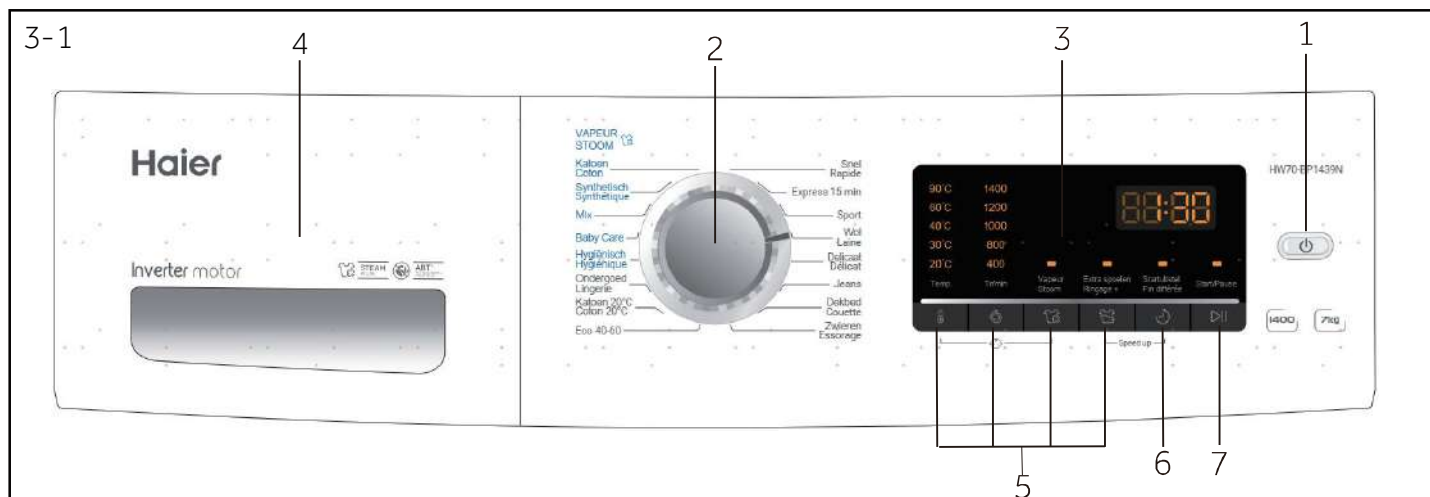
2.1 Description de l'appareil



2.2 Accessoires

Vérifiez les accessoires et la documentation suivant cette liste (Fig. 2-3) :





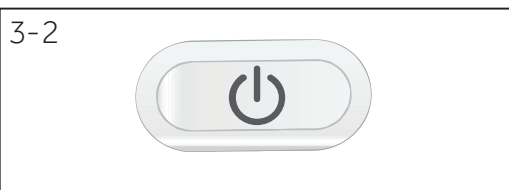
- 1 Bouton « Marche/Arrêt » 3 Écran
- 2 Sélecteur de programme 4 Bac à lessive/adoucissant
- 5 Boutons de fonctions
- 6 Bouton de « Fin différée »
- 7 Bouton « Start/Pause »

i Remarque : Signal sonore

Dans les cas suivants, un signal acoustique ne produit aucun son par défaut:

- ▶ lorsque vous appuyez sur un bouton ;
- ▶ lorsque vous tournez le sélecteur de programme ;
- ▶ à la fin d'un programme ;

Le signal acoustique peut être sélectionné si nécessaire: voir la section UTILISATION QUOTIDIENNE.

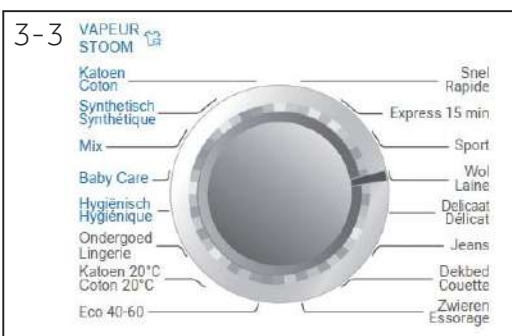


3.1 "Bouton On/Off"(Marche/Arrêt)

Appuyez sur ce bouton (Fig. 3-2) pour mettre l'appareil en marche. L'écran s'allume et le voyant du bouton "Start/Pause" (Départ/Pause) clignote. Appuyez à nouveau pendant environ 2 secondes pour éteindre l'appareil. Si aucun élément du panneau ou aucun programme n'est activé au bout d'un moment, l'appareil s'éteint automatiquement.

3.2 Sélecteur de programme

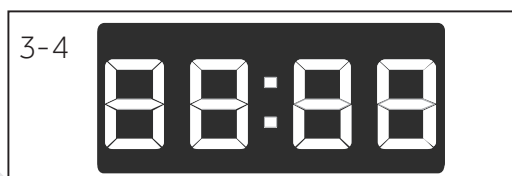
Vous pouvez sélectionner l'un des 16 programmes en tournant le bouton (Fig. 3-3). La LED correspondant s'allume et les paramètres par défaut s'affichent.



3.3 Écran

L'écran (Fig. 3-4) affiche les informations suivantes :

- ▶ Durée du lavage
- ▶ Fin différée
- ▶ Codes d'erreur et informations sur l'entretien




3.4 Bac à lessive

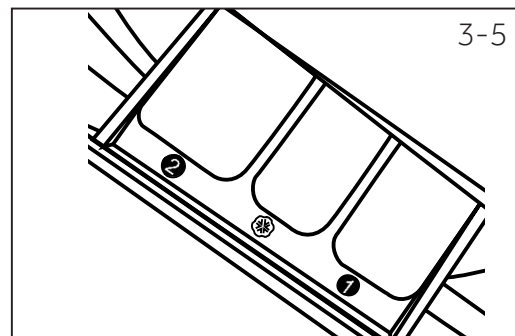
Ouvrez le tiroir. Il contient trois compartiments (Fig. 3-5) :

Compartiment 1: Arrivée d'eau uniquement, pas de lessive

Compartiment 2: Lessive pour programme

Compartiment : Adoucissant, agent de conditionnement, etc.

Merci de vous référer à la bouteille de détergent pour savoir si celui-ci convient aux températures de lavage.



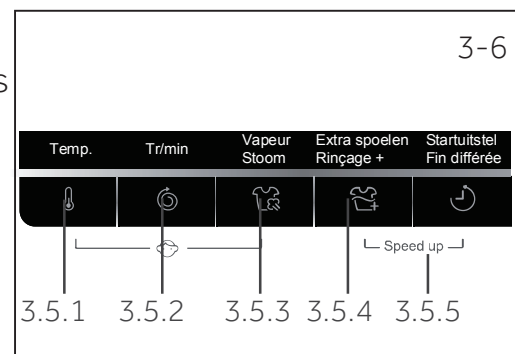
3.5. Boutons de fonctions

Les boutons de fonctions (Fig. 3-6) activent des options supplémentaires du programme sélectionné avant son démarrage. Les indicateurs correspondants s'affichent à l'écran.

Toutes les fonctions se désactivent lorsque vous éteignez l'appareil ou lorsque vous configurez un nouveau programme.

Si un bouton dispose de plusieurs options, vous pouvez sélectionner l'option souhaitée en appuyant de manière séquentielle sur le bouton.

Pour supprimer le paramètre ou annuler le processus de paramétrage, appuyez sur le bouton de fonction jusqu'à ce que les voyants LED s'allument ou, dans le cas d'une seule option, les voyants LED s'éteignent.



Remarque : Paramètres d'usine

Pour garantir des résultats optimaux dans chaque programme, Haier a défini avec précision les paramètres par défaut. En l'absence d'indications particulières, nous vous recommandons d'utiliser les paramètres par défaut.

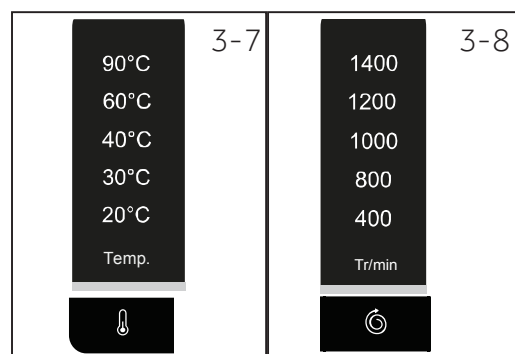
3.5.1- Bouton de fonction « Temp. »

Appuyez sur ce bouton (Fig. 3-7) pour changer la température de lavage du programme. Si aucune valeur ne s'illumine, l'eau ne sera pas chauffée.

En combinaison avec le bouton « Vapeur », la fonction de verrouillage enfant peut être activée/désactivée (voir SÉCURITÉ ENFANTS).

3.5.2- Bouton de fonction « Tr/min »

Appuyez sur ce bouton (Fig. 3-8) pour changer ou désélectionner le programme d'essorage. Si aucune valeur ne s'illumine, le linge ne sera pas essoré.



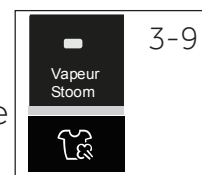
3.5.3- Bouton de fonction « Vapeur »

Appuyez sur le bouton (Fig. 3-9) pour activer la fonction vapeur.

Quand cette fonction est activée, la température par défaut est la température maximum du programme sélectionné. Cette fonction peut être activée uniquement sur les programmes suivants : Coton, Synthétique, Mixte, Bébé Coton, Hygiène.

Quand la fonction est activée, la LED au-dessus du bouton clignotera.

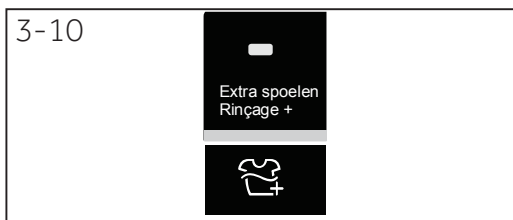
Appuyez encore sur ce bouton pour désactiver la fonction. La LED s'éteindra.



Quand la fonction est activée, la température ne peut pas être modifiée.

Si vous appuyez sur le bouton « temp », la fonction « Vapeur » sera désactivée.

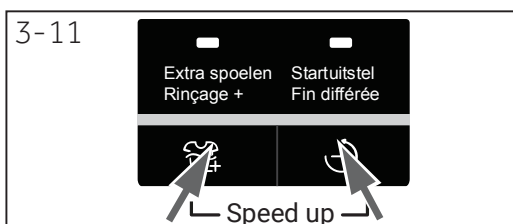
Vous pouvez activer cette fonction uniquement avant de démarrer un des programmes concernés. Vous ne pouvez pas lancer cette fonction si un programme est déjà en cours.



3.5.4 Bouton de fonction « Rincage+ »

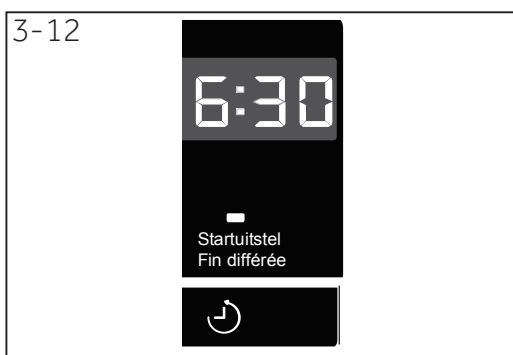
Appuyez sur ce bouton (Fig. 3-10) pour rincer le linge plus intensément avec de l'eau douce. Cette fonction est recommandée pour les personnes à la peau sensible.

Vous pouvez sélectionner un à trois cycles en appuyant sur le bouton plusieurs fois. Ils s'affichent sur l'écran avec l'extension **P--1/P--2/P--3**.



3.5.5 Fonction « Speed up »

Cette fonction permet d'économiser du temps et de l'énergie. Recommandée si le linge est légèrement sale. Appuyez simultanément sur les boutons "Rincage +" et "Fin différée" (Fig. 3-11) pendant environ 3 secondes pour activer la fonction "Speed up". L'indicateur **SPEED UP** s'affiche sur l'écran. Cette fonction n'est pas disponible pour tous les programmes (voir PROGRAMMES).

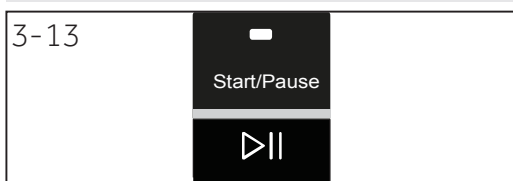


3.6 Bouton "Fin différée"

Appuyez sur ce bouton (Fig. 3-12) pour démarrer le programme avec une fin différée. Vous pouvez repousser la fin du programme par incrément de 30 minutes, de 0,5 à 24 h. Par exemple, si l'écran affiche **6 : 30** le cycle du programme s'achève dans 6 heures et 30 minutes. Appuyez sur le bouton « Départ/Pause » pour activer le délai de fin différée. Ne s'applique pas au programme ESSORAGE、ECO 40-60.

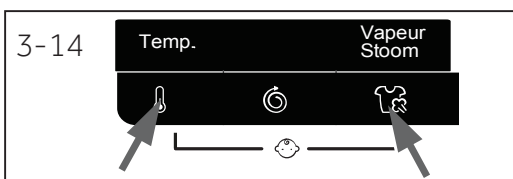
i Remarque : Détergent liquide

Si vous utilisez un détergent liquide, il n'est pas recommandé d'activer la fin différée.



3.7 Bouton «Start/Pause »

Appuyez légèrement sur ce bouton (Fig. 3-13) pour démarrer ou arrêter le programme actuellement affiché. Le voyant LED au dessus du bouton s'allume pendant le réglage, l'exécution ou l'interruption soudaine du programme.



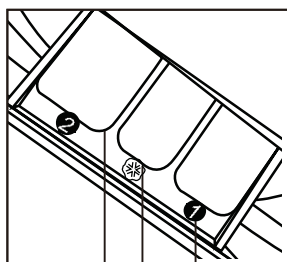
3.8 Sécurité enfants

Appuyez simultanément sur le bouton « Temp. » et « Vapeur » (Fig. 3-14) pendant 3 secondes pour bloquer l'activation des éléments du panneau. Pour déverrouiller, appuyez à nouveau sur les deux boutons.



L'écran affiche **CLrd** (Fig. 3-15) si vous appuyez sur le bouton, lorsque la sécurité enfants est activée. Aucun changement ne s'opère.

• Oui, ◦ En option, / No



Compartiment à détergent pour :

- ① Arrivée d'eau uniquement, pas de lessive
- ② Lessive
- ☼ Adoucissant ou produit d'entretien

Programme	Charge max. ¹⁾ en kg	Température en °C plage sélec- tionnable	Préréglage				Type de fibre	Vitesse d'es- sorage pré- glée en trs/ min	Fonction		
				2	☼	1			Vapeur	Rinçage +	Speed up
Coton	7	* à 90 ²⁾	40	•	◦	/	Coton	1400	•	•	•
Synthé- tique	3.5	* à 60	40	•	◦	/	Tissu synthétique ou mélangé	1200	•	•	•
Mix	7	* à 60	30	•	◦	/	Mélange de linge en coton et synthétique légèrement sale	1000	•	•	•
Baby Care	3.5	* à 90 ²⁾	40	•	◦	/	Coton/Synthétique	1000	•	•	•
Hygiénique	3.5	90	90	•	◦	/	Coton/Synthétique	1000	•	•	/
Lingerie	3.5	* à 60	40	•	◦	/	Coton/Synthétique	1000	/	•	•
Coton 20°C	7	20	20	•	◦	/	Coton	1400	/	•	•
Eco 40-60	7	/	/	•	◦	/	Coton	/	/	/	/
Rapide ³⁾	3.5	* à 40	40	•	◦	/	Coton/Synthétique	1000	/	•	/
Express 15 min ³⁾	1	* à 40	*	•	◦	/	Coton/Synthétique	1000	/	•	/
Sport	3.5	* à 40	20	•	◦	/	Vêtements de sport	800	/	•	/
Laine	1	* à 40	*	•	/	/	Tissu en laine ou à teneur en laine lavable en machine	800	/	•	/
Délicat	1	* à 30	30	•	/	/	Linge délicat et soie	400	/	•	/
Jeans	3.5	* à 60	30	•	◦	/	Jeans	1000	/	•	•
Couette	1	* à 40	40	•	/	/	Coton	800	/	•	•
Essorage	7	/	/	/	/	/	Tous les tissus	1000	/	/	/

¹⁾Concernant le linge sec.

²⁾Choisissez 90 °C comme température de lavage uniquement pour des exigences hygiéniques particulières. *: l'eau ne chauffe pas (aucune valeur ne s'illumine)

³⁾Réduisez la quantité de détergent parce que la durée du programme est courte.

Scannez le QR code sur l'étiquette énergétique pour obtenir des informations sur la consommation d'énergie.

La consommation d'énergie réelle peut différer de celle déclarée en fonction des conditions locales.

Programme EU1015 / 2010

Sélectionnez Eco 40-60, appuyez sur "Essorage" 10s, puis ajustez à 60 ° C / 40 ° C avec essorage maximal. Les programmes coton standard à 60°C et 40°C conviennent pour nettoyer les salissures normales.

Ce sont les programmes les plus efficaces en termes de consommation combinée d'énergie et d'eau pour le linge en coton. La température réelle de l'eau peut différer de la température du cycle déclarée.



Remarque : Pesage automatique

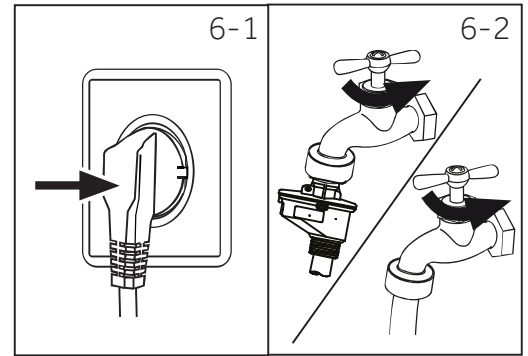
L'appareil est équipé d'une option de détection de la charge. Lorsque la charge est faible, l'énergie, l'eau et le temps de lavage sont réduits de manière automatique dans certains programmes. L'écran affiche **AUTO**.

6.1 Alimentation

Raccordez le lave-linge à une alimentation (220 V à 240 V~/50 Hz ; Fig. 6-1). Veuillez également vous référer à la section INSTALLATION.

6.2 Raccordement d'eau

- ▶ Avant le raccordement, assurez-vous de la propreté et de la clarté du dispositif d'arrivée d'eau.
- ▶ Ouvrez le robinet (Fig. 6-2).

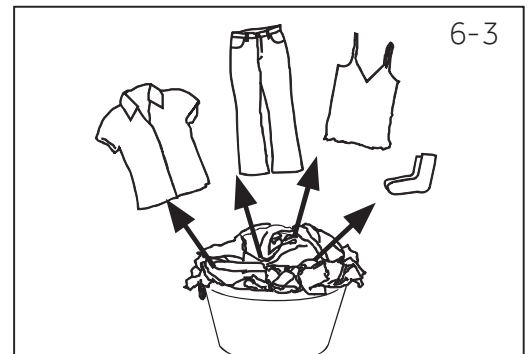


Remarque : Étanchéité

Avant l'utilisation, vérifiez la présence de fuites sur les joints entre le robinet et le flexible d'arrivée d'eau en ouvrant le robinet.

6.3 Préparation du linge

- ▶ Triez les vêtements en fonction du tissu (coton, synthétique, laine ou soie) et de leur niveau de saleté (Fig. 6-3). Faites attention aux consignes d'entretien des étiquettes de lavage.
- ▶ Séparez les vêtements blancs des vêtements de couleur. Lavez d'abord les textiles de couleur à la main pour savoir s'ils se décolorent ou s'abîment.
- ▶ Videz les poches (clés, pièces de monnaie, etc.) et retirez les objets de décoration très durs (broches).
- ▶ Pour l'entretien des vêtements sans ourlets, du linge délicat et les textiles finement tissés comme les rideaux, mettez-les dans un sac de lavage (le nettoyage à la main ou à sec est plus indiqué).
- ▶ Fermez les fermetures à glissières, les attaches et les crochets velcro et assurez-vous que les boutons sont solidement cousus.
- ▶ Placez les vêtements sans ourlets solides, les sous-vêtements délicats (Dessous) et les petits articles tels que les chaussettes, les ceintures, les soutiens-gorge, etc. dans un sac de lavage.
- ▶ Dépliez les grandes pièces de tissu telles que les draps de lit et les couvre-lits, etc.
- ▶ Retournez les jeans et les tissus imprimés, décorés ou aux couleurs vives ; lavez-les séparément si possible.



ATTENTION !

Les articles non textiles, desserrés ou tranchants peuvent causer des dysfonctionnements ainsi qu'endommager les vêtements et l'appareil.

Tableau d'entretien

Lavage		
 Température de lavage maximale 95 °C normal	 Température de lavage maximale 60 °C normal	 Température de lavage maximale 60 °C doux
 Température de lavage maximale 40 °C normal	 Température de lavage maximale 40 °C doux	 Température de lavage maximale 40 °C très doux
 Température de lavage maximale 30 °C normal	 Température de lavage maximale 30 °C doux	 Température de lavage maximale 30 °C très doux
 Température maximale de lavage à la main 40 °C	 Ne lavez pas	
Blanchiment		
 Agents de blanchiment autorisés	 Oxygène uniquement/ non chloré	 N'utilisez pas d'agent de blanchiment
Séchage		
 Sèche-linge autorisé température normale	 Sèche-linge autorisé température basse	 Ne passez pas au sèche-linge
 Séchage sur corde	 Séchage à plat	
Repassage		
 Repassage à une température maximale de 200 °C	 Repassage à une température moyenne de 150 °C	 Repassage à une température basse de 110 °C ; sans vapeur (le repassage à la vapeur peut provoquer des dommages irréversibles)
 Ne repassez pas		
Entretien professionnel des textiles		
 Nettoyage à sec au tétrachloréthène	 Nettoyage à sec aux hydrocarbures	 Évitez tout nettoyage à sec
 Nettoyage professionnel par voie humide	 Évitez tout nettoyage professionnel par voie humide	

6.4 Chargement de l'appareil

- ▶ Insérez le linge, pièce par pièce
- ▶ Ne surchargez pas l'appareil. Notez les différentes charges maximales en fonction des programmes ! Règle générale pour la charge maximale : Gardez une distance de six pouces entre la charge et la partie supérieure du tambour.
- ▶ Fermez bien la porte. Assurez-vous qu'aucune pièce de linge n'est pincée.

6.5 Sélection du détergent

- ▶ L'efficacité et la performance du lavage dépendent de la qualité du détergent utilisé.
- ▶ Utilisez exclusivement un détergent homologué pour le lavage en machine.
- ▶ Le cas échéant, utilisez des détergents spéciaux (par exemple, pour les synthétiques et les lainages.)
- ▶ Respectez les recommandations du fabricant du détergent.
- ▶ N'utilisez pas d'agents de nettoyage à sec tels que le trichloréthylène ou tout autre produit similaire.

Choisissez le détergent le mieux adapté

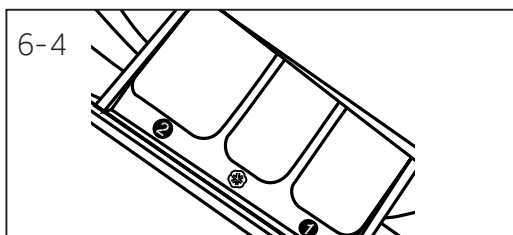
Programme	Type de détergent				
	Universel	Couleur	Délicat	Spécial	Adoucissant
Coton	L/P	L/P	-	-	O
Synthétique	-	L/P	-	-	O
Mix	L	L/P	-	-	O
Baby Care	-	-	L/	L/P	O
Hygiénique	L/P	L/P	-	-	O
Lingerie	-	-	L/	L/P	O
Coton 20°C	L/P	L/P	-	-	O
Eco 40-60	L/P	L/P	-	-	O
Rapide	L/P	L	-	-	O
Express 15 min	L	L	-	-	O
Sport	-	-	L/P	L/P	O
Laine	-	-	L/P	L/P	O
Délicat	-	-	L/P	L/P	O
Jeans	L	L	-	-	O
Couette	-	-	L	L/P	-
Essorage	-	-	-	-	-

L = détergent liquide ou en gel P = détergent en poudre O = facultatif - = non
Si vous utilisez un détergent liquide, il n'est pas recommandé d'activer la fin différée.

Voici nos recommandations :

- ▶ Détergent en poudre : 20 °C à 90 °C* (utilisation optimale : 40-60 °C)
- ▶ Détergent couleur : 20 °C à 60 °C (utilisation optimale : 30-60 °C)
- ▶ Détergent laine/vêtement délicat : 20 °C à 30 °C (utilisation optimale :20-30 °C)

* Choisissez 90 °C comme température de lavage uniquement pour des exigences hygiéniques particulières.



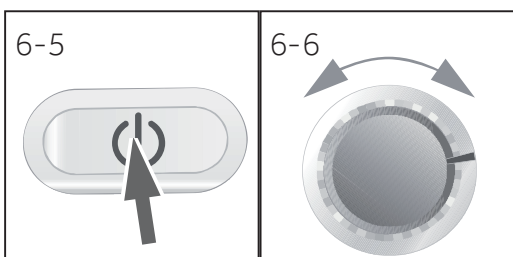
6.6 Ajout de détergent

1. Faites glisser le bac à lessive hors de son emplacement.
2. Ajoutez la quantité de détergent nécessaire dans les compartiments respectifs (Fig. 6-4).
3. Repoussez doucement le bac.



Remarque :

- ▶ Retirez les résidus de détergent du bac à lessive avant le prochain cycle de lavage.
- ▶ N'utilisez pas trop de détergent ou d'adoucissant.
- ▶ Veuillez suivre les instructions spécifiées sur l'emballage du détergent.
- ▶ Remplissez toujours le détergent avant de lancer le cycle de lavage.
- ▶ Diluez le détergent liquide concentré avant de l'ajouter dans le compartiment 2.
- ▶ Pour que le détergent liquide se diffuse bien, utilisez la boule de dosage fournie avec le linge et mettez-la dans le lave-linge.
- ▶ N'utilisez pas de détergent liquide si vous avez sélectionné « Fin différée ».
- ▶ Choisissez avec soin les réglages du programme en fonction des symboles d'entretien indiqués sur toutes les étiquettes de linge et selon le tableau de programme.



6.7 Mettez l'appareil en marche.

Appuyez sur le bouton « Marche/Arrêt » pour mettre l'appareil en marche (Fig. 6-5). Le voyant LED du bouton "Start/Pause" clignote.

6.8 Sélection d'un programme

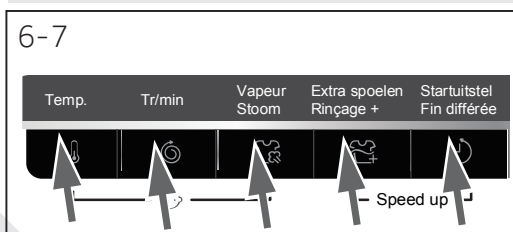
Pour obtenir des résultats optimaux lors du lavage, sélectionnez un programme qui convient au degré de salissure et au type de linge.

Tournez le bouton des programmes (Fig. 6-6) pour sélectionner le programme adéquat. Le voyant LED correspondant au programme sélectionné s'allume et les paramètres par défaut s'affichent.



Remarque : Suppression des odeurs

Avant la première utilisation, nous vous recommandons de lancer le programme HYGIÉNIQUE à vide et avec une petite quantité de détergent dans le compartiment du produit de lavage (2) ou un nettoyant spécial machine pour éliminer les résidus potentiellement gênants.

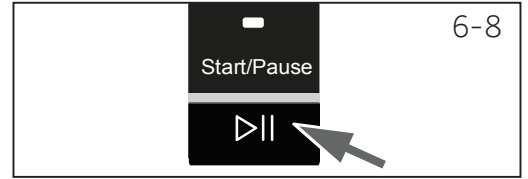


6.9 Ajout de sélections individuelles

Sélectionnez les options et les paramètres requis (Fig. 6-7) ; reportez-vous à la section PANNEAU DE COMMANDE.

6.10 Démarrage du programme de lavage

Appuyez sur le bouton « Start/Pause » (Fig. 6-8) pour lancer le programme. Le voyant LED du bouton "Start/Pause" s'allume continuellement. L'appareil fonctionne selon les réglages actuels. Pour effectuer des modifications, vous devez annuler le programme.



6.11 Interruption - annulation du progr

Pour interrompre un programme en cours, appuyez doucement sur « Départ/Pause ». Le voyant LED au dessus du bouton clignote. Appuyez à nouveau sur ce bouton pour reprendre l'opération.

Pour annuler un programme en cours et tous ses paramètres individuels

1. Appuyez sur le bouton « Start/Pause » pour interrompre le programme.
2. Appuyez sur le bouton « Marche/Arrêt » pendant 2 secondes environ pour arrêter l'appareil.
3. Exécutez le programme ESSORAGE et sélectionnez « pas de vitesse » (tous les voyants éteints) pour évacuer l'eau.
4. Sélectionnez un nouveau programme et démarrez-le.

6.12 Après le lavage



Remarque : Verrouillage de la porte

- ▶ Pour des raisons de sécurité, la porte du lave-linge est temporairement verrouillée pendant les cycles de lavage. Vous ne pouvez ouvrir la porte qu'à la fin du programme ou qu'après son annulation correcte (voir la description ci-dessus).
- ▶ En cas de niveau d'eau élevé ou de température d'eau élevée ou pendant l'essorage, il est impossible d'ouvrir la porte ; le symbole **Lock** s'affiche

1. À la fin du cycle du programme **End** s'affiche.
2. La machine s'arrête automatiquement.
3. Retirez le linge le plus tôt possible pour le faire avec précaution et pour éviter autant que possible qu'il ne se plisse davantage.
4. Fermez l'arrivée d'eau.
5. Débranchez la prise d'alimentation.
6. Ouvrez la porte pour éviter toute formation d'humidité et l'apparition d'odeurs. Laissez-la ouverte lorsque vous n'utilisez pas la machine.



Remarque : Mode Veille / Économiseur d'énergie

Une fois l'appareil mis en marche, il rentre en mode Veille si vous ne l'utilisez pas au bout de 2 minutes avant le lancement du programme ou à la fin de celui-ci. L'écran s'éteint pour économiser l'énergie. Appuyez sur le bouton « Départ/Pause » pour désactiver le mode Veille.

6.13 Activation ou désactivation de l'alarme

Vous pouvez désactiver le signal sonore en cas de besoin :

1. Mettez l'appareil en marche.
2. Sélectionnez le programme Essorage.
3. Appuyez simultanément sur les boutons « Vapeur » et « Rinçage + » pendant 3 secondes environ. « **bEEP OFF** » s'affiche et l'alarme se désactive.

Pour activer l'alarme, appuyez une nouvelle fois sur ces deux boutons simultanément. « **bEEP ON** » s'affiche.



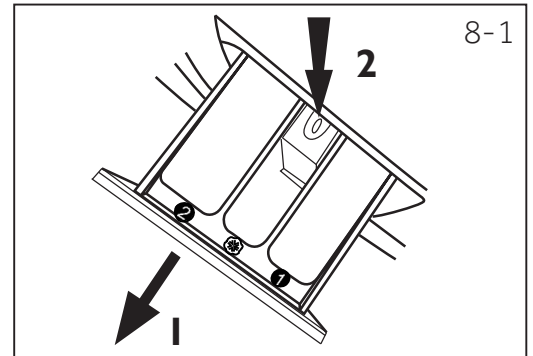
Utilisation respectueuse de l'environnement

- ▶ Pour une meilleure utilisation de l'énergie, de l'eau, du détergent et du temps, tenez-vous en à la charge maximale recommandée.
- ▶ Ne surchargez pas l'appareil (à l'aide de la main, faites un dégagement en largeur au-dessus du linge).
- ▶ Pour le linge légèrement sale, sélectionnez le programme Express 15 min.
- ▶ Mettez les doses exactes de chaque produit de lavage.
- ▶ Choisissez la température de lavage adéquate la plus basse - les détergents modernes nettoient efficacement en dessous de 60 °C.
- ▶ Optimisez les paramètres par défaut uniquement pour les taches importantes.
- ▶ Sélectionnez la vitesse d'essorage maximale en cas d'utilisation d'un sèche-linge domestique.

8.1 Nettoyage du bac à lessive

Veillez toujours à ce qu'il ne reste pas de résidus de détergent. Nettoyez régulièrement le bac à lessive (Fig. 8-1) :

1. Tirez le bac jusqu'à la butée.
2. Appuyez sur le bouton d'ouverture pour le retirer.
3. Nettoyez ensuite le bac avec de l'eau et remettez-le en place dans l'appareil.



8.2 Nettoyage de la machine

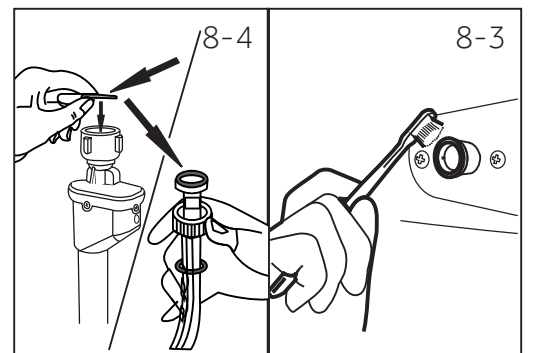
- ▶ Débranchez la machine pendant le nettoyage et l'entretien.
- ▶ Utilisez un chiffon doux imbibé de savon liquide pour nettoyer la machine (Fig. 8-2) et les composants en caoutchouc.
- ▶ N'utilisez pas de produits chimiques organiques ou de solvants corrosifs.



8.3 Vanne et filtre d'arrivée d'eau

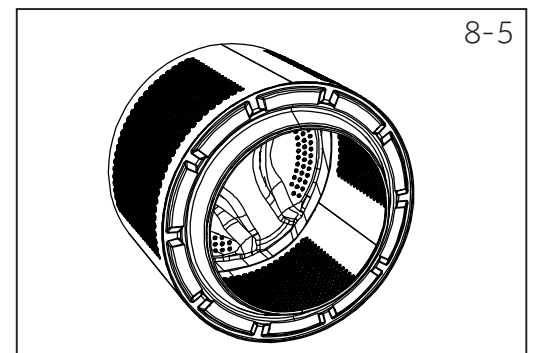
Pour éviter toute obstruction de l'alimentation en eau par des matières solides telles que le calcaire, nettoyez régulièrement son filtre.

- ▶ Débranchez le cordon d'alimentation et fermez l'arrivée d'eau.
- ▶ Démontez le flexible d'arrivée d'eau à l'arrière (Fig. 8-3) de l'appareil, ainsi que le robinet.
- ▶ Rincez le filtre avec de l'eau et une brosse (Fig. 8-4).
- ▶ Insérez le filtre et installez le flexible d'arrivée d'eau.



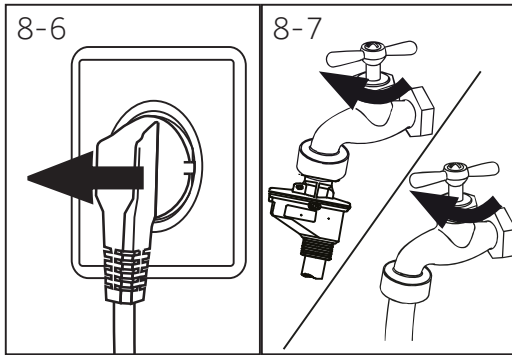
8.4 Nettoyage du tambour

- ▶ Retirez les pièces métalliques introduites accidentellement dans le tambour (fig. 8-5), notamment les épingles, les pièces de monnaie, etc., car elles peuvent causer des taches de rouille et des dommages.
- ▶ Utilisez un nettoyant sans chlorure pour éliminer les taches de rouille. Respectez les consignes de sécurité du fabricant de l'agent de nettoyage.
- ▶ N'utilisez pas d'objet dur ou de laine d'acier pour le nettoyage.



Remarque : Hygiène

Pour un entretien régulier, nous vous recommandons de lancer le programme HYGIÈNE à vide pour éliminer les résidus potentiellement gênants tous les trois mois. Ajoutez une petite quantité de détergent dans le compartiment du produit de lavage (2) ou utilisez un nettoyant spécial machine



8.5 Périodes de non-utilisation prolongées

Si l'appareil n'est pas utilisé pendant une longue période :

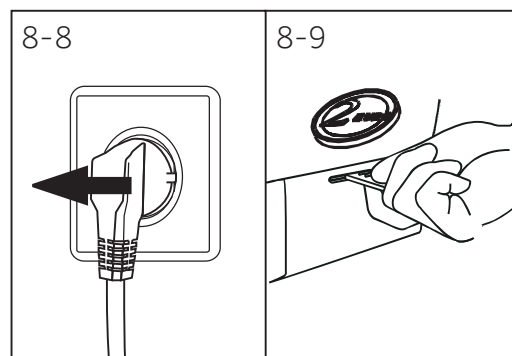
1. Débranchez la prise électrique (fig. 8-6).
2. Fermez l'arrivée d'eau (fig. 8-7).
3. Ouvrez la porte pour éviter toute formation d'humidité et l'apparition d'odeurs. Laissez la porte ouverte lorsque vous n'utilisez pas la machine.

Avant le prochain usage, vérifiez soigneusement le cordon d'alimentation, l'arrivée d'eau et le tuyau de vidange. Assurez-vous que tout est correctement installé et qu'il n'y a pas de fuite.



Remarque : Hygiène

Après une période de non-utilisation prolongée, nous vous recommandons de lancer le programme HYGIÈNE à vide et avec une petite quantité de détergent dans le compartiment du produit de lavage (2) ou un nettoyant spécial machine particulier pour éliminer les résidus potentiellement gênants.



8.6 Filtre de la pompe

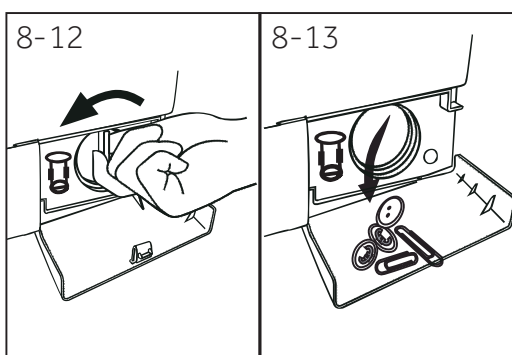
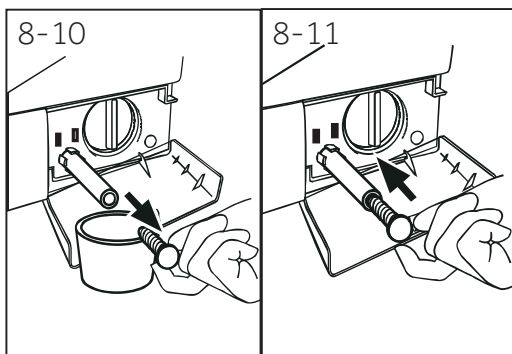
Nettoyez le filtre une fois par mois et inspectez le filtre de la pompe, pour vérifier par exemple si l'appareil :

- ▶ ne vidange pas l'eau ;
- ▶ n'essore pas ;
- ▶ émet un bruit inhabituel en cours de fonctionnement.



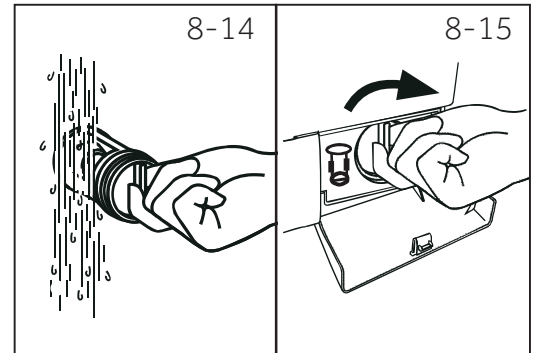
AVERTISSEMENT !

Risque de brûlure ! L'eau contenue dans le filtre de la pompe peut être très chaude ! Avant toute intervention, assurez-vous que l'eau a refroidi.



1. Éteignez la machine et débranchez-la (Fig. 8-8).
2. Ouvrez le volet d'entretien. Vous pouvez utiliser une pièce de monnaie ou un tournevis (Fig. 8-9).
3. Placez un récipient plat pour recueillir l'eau de vidange (Fig. 8-10). La quantité d'eau pourrait être plus importante que prévu !
4. Tirez le tuyau de vidange et maintenez-en l'extrémité au-dessus du récipient (Fig. 8-10).
5. Retirez le bouton d'étanchéité du tuyau de vidange (Fig. 8-10).
6. Une fois la vidange terminée, fermez le tuyau de vidange (Fig. 8-11) et remettez-le dans la machine.
7. Démontez et retirez le filtre de la pompe en le tournant dans le sens antihoraire (Fig. 8-12).
8. Retirez les impuretés et la poussière (Fig. 8-13).

9. Nettoyez soigneusement le filtre de la pompe à l'eau courante, par exemple (Fig. 8-14).
10. Remontez-le soigneusement (Fig. 8-15).
11. Fermez le volet d'entretien.



ATTENTION !

- ▶ Le bouchon du filtre de la pompe doit être nettoyé et en bon état. Si le bouchon n'est pas bien serré, l'eau peut s'échapper.
- ▶ Le filtre doit être en place, sinon une fuite peut se produire.

Vous pouvez résoudre la plupart des problèmes qui pourraient survenir sans expertise précise. En cas de problème, veuillez vérifier toutes les solutions possibles en suivant les instructions ci-dessous avant de contacter un service après-vente. Voir SERVICE CLIENT-TELE.



AVERTISSEMENT !

- ▶ Avant tout entretien, veuillez arrêter l'appareil et débranchez-le du secteur.
- ▶ Les appareils électriques doivent être entretenus uniquement par des experts en électricité, car une mauvaise intervention pourrait causer des dommages considérables.
- ▶ Pour éviter tout risque, faites remplacer le cordon d'alimentation endommagé uniquement par le fabricant, son représentant ou par des personnes qualifiées similaires.

9.1 Codes d'informations

Les codes suivants s'affichent uniquement à titre d'information par rapport au cycle de lavage. Aucune action ne doit être entreprise.

Code	Message
1:25	Le temps restant du cycle de lavage est évalué à 1 heure et 25 minutes
6:30	Le temps restant du cycle de lavage incluant la durée sélectionnée pour la fin différée est évalué à 6 heures et 30 minutes
P-- 1/2/3	1/2/3 Rinçages supplémentaires sélectionnés (voir BOUTONS DE FONCTION „Rinçage +e”).
End	Le cycle de lavage est terminé. L'appareil s'éteint automatiquement.
cLrd	La fonction Sécurité enfants est activée
Loc l-	La porte est fermée à cause du niveau d'eau ou de température élevé ou du déroulement de l'essorage.
bEEP OFF	L'avertisseur sonore est désactivé
bEEP ON	L'avertisseur sonore est activé
SPEED UP	La fonction "Speed up" est activée.

9.2 Dépannage avec affichage de code

Problème	Cause	Solution
CLr FLr	<ul style="list-style-type: none"> • Erreur de vidange. 	<ul style="list-style-type: none"> • Nettoyez le filtre de la pompe. • Vérifiez l'installation du tuyau de vidange.
E2	<ul style="list-style-type: none"> • Verrouillage - erreur. 	<ul style="list-style-type: none"> • Fermez correctement la porte.
E4	<ul style="list-style-type: none"> • Le niveau d'eau n'a pas été atteint. • Le tuyau de vidange s'auto-siphonne. 	<ul style="list-style-type: none"> • Assurez-vous que le robinet est entièrement ouvert et que la pression de l'eau est normale. • Vérifiez l'installation du tuyau de vidange.

Problème	Cause	Solution
FR	<ul style="list-style-type: none"> Capteur de niveau d'eau-erreur 	<ul style="list-style-type: none"> Contactez le service après-vente.
EB	<ul style="list-style-type: none"> Niveau de sécurité de l'eau - erreur. 	<ul style="list-style-type: none"> Contactez le service après-vente.
F3	<ul style="list-style-type: none"> Capteur de température - erreur. 	<ul style="list-style-type: none"> Contactez le service après-vente.
F4	<ul style="list-style-type: none"> Erreur de chauffage 	<ul style="list-style-type: none"> Contactez le service après-vente.
F7	<ul style="list-style-type: none"> Moteur - erreur. 	<ul style="list-style-type: none"> Contactez le service après-vente.
FE1 ou FE2	<ul style="list-style-type: none"> Erreur de communication anormale 	<ul style="list-style-type: none"> Contactez le service après-vente.
Unb	<ul style="list-style-type: none"> Charge déséquilibrée - erreur. 	<ul style="list-style-type: none"> Vérifiez et équilibrez la charge de linge dans le tambour. Réduisez la charge de linge.

9.3 Dépannage sans affichage de code

Problème	Cause	Solution
Le lave-linge ne fonctionne pas.	<ul style="list-style-type: none"> Le programme n'a pas encore démarré. La porte n'est pas correctement fermée. La machine n'a pas été mise sous tension Panne de courant. Le Verrouillage enfant est activé. 	<ul style="list-style-type: none"> Vérifiez le programme et démarrez-le. Fermez correctement la porte. Mettez la machine sous tension. Vérifiez l'alimentation. Désactivez la sécurité enfants.
Le lave-linge ne se remplit pas d'eau.	<ul style="list-style-type: none"> Il n'y a pas d'eau. Le flexible d'alimentation est tordu. Le filtre du flexible d'alimentation est bouché. La pression de l'eau est inférieure à 0,03 MPa. La porte n'est pas correctement fermée. Coupure d'eau. 	<ul style="list-style-type: none"> Vérifiez le robinet d'eau. Vérifiez le flexible d'alimentation. Débouchez le filtre du flexible d'alimentation. Vérifiez la pression de l'eau. Fermez correctement la porte. Vérifiez l'arrivée d'eau.
La machine se vidange pendant qu'on y introduit de l'eau.	<ul style="list-style-type: none"> La hauteur du tuyau de vidange est inférieure à 80 cm. L'extrémité du tuyau de vidange pourrait baigner dans l'eau. 	<ul style="list-style-type: none"> Assurez-vous que le tuyau de vidange est correctement installé. Vérifiez que le tuyau de vidange n'est pas plongé dans l'eau.
Problème de vidange.	<ul style="list-style-type: none"> Le tuyau de vidange est obstrué. Le filtre de la pompe est bouché. L'extrémité du tuyau de vidange se trouve à une hauteur supérieure à 100 cm au-dessus du sol. 	<ul style="list-style-type: none"> Débouchez le tuyau de vidange. Nettoyez le filtre de la pompe. Assurez-vous que le tuyau de vidange est correctement installé.

Problème	Cause	Solution
Forte vibration pendant l'essorage.	<ul style="list-style-type: none"> • Certains boulons de transport n'ont pas été retirés. • L'appareil n'est pas installé sur une surface stable. • La charge de la machine n'est pas correcte. 	<ul style="list-style-type: none"> • Retirez tous les boulons de transport. • Assurez-vous que l'appareil est placé sur une surface stable et plane. • Vérifiez le poids et l'équilibre de la charge.
L'opération s'arrête avant la fin du cycle de lavage.	<ul style="list-style-type: none"> • Coupure d'eau ou panne de courant. 	<ul style="list-style-type: none"> • Vérifiez le branchement électrique et l'alimentation en eau.
L'opération s'arrête pendant un certain temps.	<ul style="list-style-type: none"> • Un code d'erreur s'affiche à l'écran. • Problème lié à la quantité de linge chargé • Le programme effectue le cycle de trempage 	<ul style="list-style-type: none"> • Vérifiez les codes affichés. • Réduisez ou ajustez la charge. • Annulez le programme et redémarrez.
Une quantité excessive de mousse flotte dans le tambour et/ou le tiroir à lessive.	<ul style="list-style-type: none"> • Le détergent n'est pas adapté. • Quantité excessive de détergent. 	<ul style="list-style-type: none"> • Vérifiez les recommandations en matière de lessive. • Réduisez la quantité de lessive.
Ajustement automatique du temps de lavage.	<ul style="list-style-type: none"> • La durée du programme de lavage est ajustée. 	<ul style="list-style-type: none"> • Ce phénomène est normal et n'affecte pas le fonctionnement.
Échec de l'essorage.	<ul style="list-style-type: none"> • Mauvaise répartition du linge. 	<ul style="list-style-type: none"> • Vérifiez la charge de la machine et la répartition du linge, puis relancez un programme d'essorage.
Résultat de lavage insatisfaisant.	<ul style="list-style-type: none"> • Le degré de salissure ne correspond pas au programme sélectionné. • La quantité de lessive est insuffisante. • La charge maximale est dépassée. • Le linge est inégalement réparti dans le tambour. 	<ul style="list-style-type: none"> • Sélectionnez un autre programme. • Choisissez le linge selon le degré de salissure et selon les spécifications du fabricant. • Réduisez la charge. • Détachez le linge.
Il existe des résidus de lessive en poudre sur le linge.	<ul style="list-style-type: none"> • Des particules insolubles de détergent peuvent persister sous forme de taches blanches sur le linge. 	<ul style="list-style-type: none"> • Rincez à nouveau. • Essayez de broser les points sur le linge sec. • Choisissez un autre détergent.
Le linge contient des taches grises	<ul style="list-style-type: none"> • provenant des graisses telles que les huiles, les crèmes ou les onguents. 	<ul style="list-style-type: none"> • Prétraitez le linge à l'aide d'un nettoyant spécial.



Remarque : Formation de mousse

En cas de formation d'une quantité importante de mousse durant l'essorage, le moteur s'arrête et la pompe de vidange est activée pendant 90 secondes. Après 3 échecs d'élimination de la mousse, le programme s'achève sans essorage.

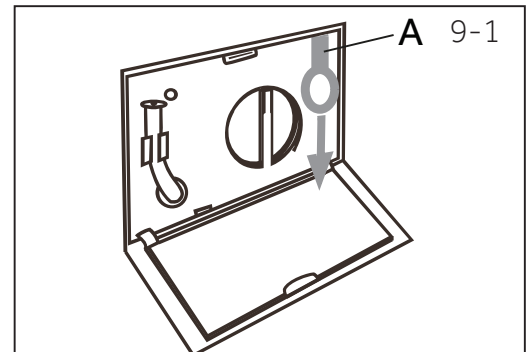
Si les messages d'erreur réapparaissent après les mesures prises, éteignez l'appareil, débranchez-le et contactez le service clientèle.

9.4 En cas de panne de courant

Le programme en cours et ses paramètres seront enregistrés. Lorsque l'alimentation électrique est rétablie, le fonctionnement reprend.

En cas de panne de courant pendant un programme, l'ouverture de la porte se bloque mécaniquement. Si vous devez retirer le linge, le niveau d'eau ne doit pas être visible sur la porte en verre. - Risque de brûlure !

- ▶ Réduisez le niveau d'eau suivant l'étape 1 à 6 du chapitre ENTRETIEN ET NETTOYAGE (FILTRE DE LA POMPE).
- ▶ Tirez le levier (A) situé en dessous du volet d'entretien (Fig. 9-1) jusqu'à ce que la porte se déverrouille en émettant un petit clic.
- ▶ Fixez toutes les pièces et fermez le volet d'entretien.



10.1 Préparation

- ▶ Sortez l'appareil de l'emballage.
- ▶ Retirez tous les matériaux d'emballage, y compris la base en polystyrène et tenez-les hors de la portée des enfants. Lors de l'ouverture de l'emballage, vous pourriez voir des gouttes d'eau sur le sac en plastique et le hublot. Ce phénomène normal résulte des essais à l'eau effectués à l'usine.



Remarque : Mise au rebut des emballages

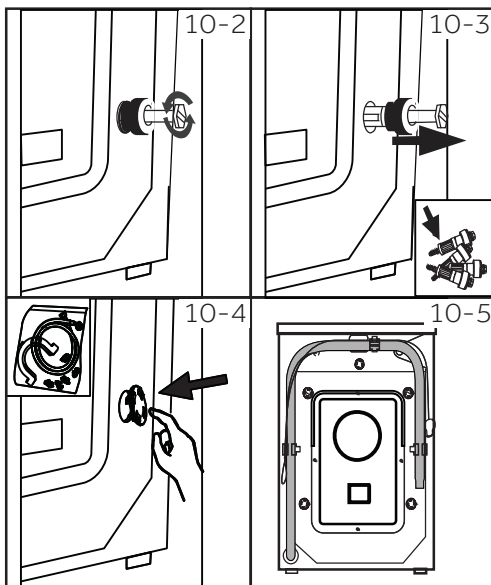
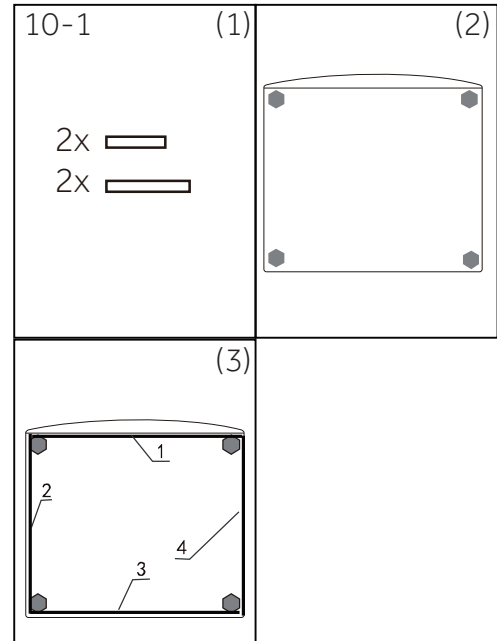
Tenez tous les emballages hors de portée des enfants et mettez-les au rebut dans le respect de l'environnement.

10.2 Instructions relatives à l'installation des tampons anti-bruit

Conseil relatif à l'émission de chaleur :

Le tampon anti-bruit est facultatif mais peut aider à réduire le bruit, veuillez l'assembler ou non selon votre besoin.

1. En ouvrant l'emballage thermo-rétractable, vous y trouverez des tampons anti-bruit. Ceux-ci sont utilisés pour réduire le bruit. (Fig. 10-1)
2. Inclinez la machine à laver sur le côté, hublot dirigé vers le haut et partie inférieure de la machine vers vous.
3. Retirez les tampons anti-bruit ainsi que le film protecteur adhésif double face et les tampons anti-bruit sous la carrosserie de la machine à laver comme indiqué à la Figure 3 (deux tampons plus longs en positions 1 et 3, deux tampons plus courts en positions 2 et 4). Remettez la machine à l'endroit.



10.3 Démontez les boulons de transport

Les boulons de transport sont conçus pour fixer les composants anti-vibration à l'intérieur de l'appareil durant le transport afin d'éviter des dommages internes.

1. Retirez les 4 boulons à l'arrière, puis enlevez les éléments séparateurs en plastique (Fig. 10-2) (Fig. 10-3).
2. Fermez les trous de gauche avec des bouchons obturateurs (Fig. 10-4) (Fig. 10-5).



Remarque : Conservez-les en lieu sûr

Conservez les boulons de transport dans un endroit sûr pour une utilisation ultérieure. Chaque fois que vous souhaitez déplacer l'appareil, remontez d'abord les boulons.

10.4 Déplacement de l'appareil

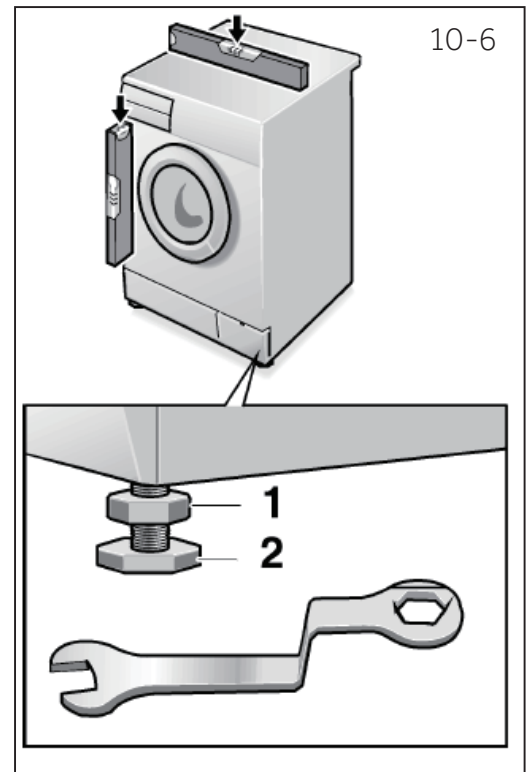
Si vous souhaitez déplacer l'appareil sur une grande distance, remettez les boulons de transport retirés avant l'installation pour éviter tout dommage :

1. Retirez les bouchons obturateurs.
2. Retirez le couvercle arrière.
3. Insérez les éléments séparateurs en plastique et les boulons de transport.
4. Serrez les boulons à l'aide d'une clé.
5. Remplacez le couvercle arrière.

10.5 Alignement de l'appareil

Régalez tous les pieds (Fig. 10-6) pour obtenir un nivellement complet. Cela réduira les vibrations et le bruit pendant l'utilisation, de même que l'usure. Nous recommandons d'utiliser un niveau à bulle pour le réglage. Le sol doit être aussi stable et plat que possible.

1. Desserrez le contre-écrou (1) à l'aide d'une clé.
2. Réglez la hauteur en tournant le pied (2).
3. Serrez le contre-écrou (1) contre le boîtier.



10.6 Raccordement de drainage

Fixez correctement le tuyau de vidange à la tuyauterie. Le tuyau doit atteindre en un point une hauteur comprise entre 80 et 100 cm au-dessus de la ligne inférieure de l'appareil ! Laissez toujours le tuyau de vidange fixé au clip à l'arrière de l'appareil si possible.



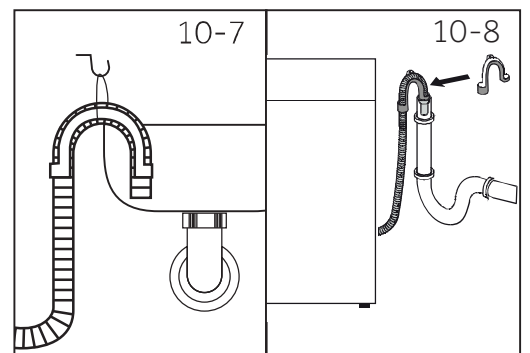
AVERTISSEMENT !

- ▶ Utilisez uniquement l'ensemble de raccordement fourni pour le raccordement.
- ▶ Ne réutilisez jamais d'ensemble de raccordement usagé !
- ▶ Raccordez l'appareil uniquement à une alimentation d'eau froide.
- ▶ Avant le raccordement, vérifiez si l'eau est propre et claire.

Les raccordements suivants sont possibles :

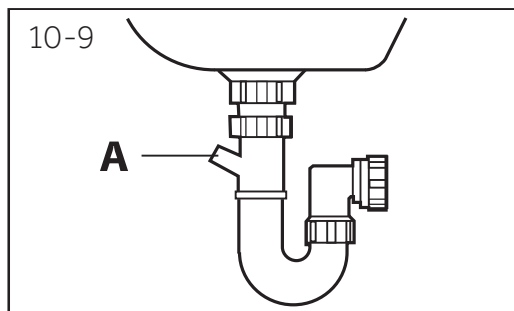
10.6.1 Tuyau de vidange à l'évier

- ▶ Suspendez le tuyau de vidange au rebord d'un évier de taille adéquate, à l'aide du support en U (Fig. 10-7).
- ▶ Protégez convenablement le support en U contre tout glissement.



10.6.2 Tuyau de vidange au raccordement d'évacuation des eaux usées

- ▶ Le diamètre interne du réservoir au sol (tranquilliseur) avec le trou d'aération doit être au minimum de 40 mm.
- ▶ Placez le tuyau de vidange à environ 80 mm des conduits d'eaux usées.
- ▶ Fixez le support en U et attachez-le solidement (Fig. 10-8).



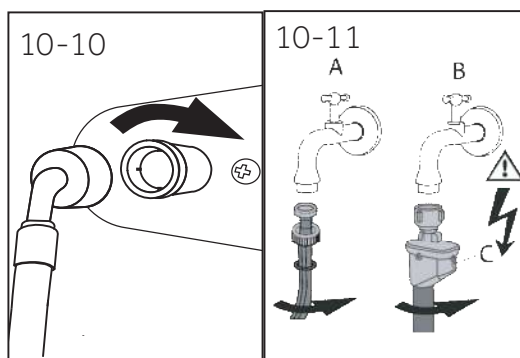
10.6.3 Raccordement du tuyau de vidange à l'évier

- ▶ Le raccordement doit se situer au-dessus du siphon
- ▶ Un raccord à embout est habituellement fermé par un bloc (A). Vous devez le retirer pour éviter tout dysfonctionnement (Fig. 10-9).
- ▶ Fixez le tuyau de vidange à l'aide d'une pince.



ATTENTION !

- ▶ Le tuyau de vidange ne doit pas être submergé par l'eau, et doit être fixé solidement et exempt de fuite. Si le tuyau de vidange est au sol, ou si le conduit est à une hauteur de moins de 80 cm, le lave-linge se vidange de manière continue lorsqu'on le remplit (siphonnement automatique).
- ▶ Le tuyau de vidange n'est pas allongé. Au besoin, contactez le service après-vente.



10.7 Raccordement d'eau douce

Assurez-vous que les joints sont insérés.

1. Raccordez le flexible d'arrivée d'eau à la pointe biseautée de l'appareil (Fig. 10-10). Resserrez manuellement le joint à vis.
2. L'autre extrémité est raccordée à un robinet d'eau avec un filetage de 3/4 po (Fig. 10-11).



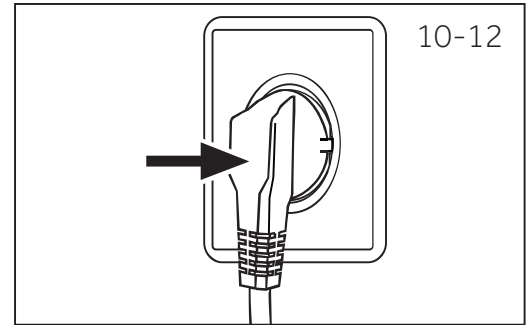
Remarque : Système Aqua stop :

Certains modèles sont équipés d'un flexible d'entrée aquastop (B). Le système Aquastop protège contre les dommages causés par l'eau en coupant automatiquement l'alimentation en eau potable lorsque le flexible fuit. Il est indiqué par un marqueur rouge (A). Vous devez remplacer le flexible.

10.8 Raccordement électrique

Avant chaque branchement, vérifiez si :

- ▶ l'alimentation électrique, la prise et le fusible sont les mêmes que sur la plaque.
- ▶ la prise d'alimentation est mise à la terre et aucune fiche multiple ou rallonge n'est utilisée ;
- ▶ la prise et la prise d'alimentation correspondent parfaitement.
- ▶ **Uniquement au Royaume-Uni :** La prise pour le Royaume-Uni est conforme à la norme BS1363A.



Branchez la prise d'alimentation à la prise murale (Fig. 10-12).

AVERTISSEMENT !

- ▶ Assurez-vous toujours que toutes les connexions (alimentation électrique, le tuyau d'évacuation et flexible d'arrivée d'eau potable) sont solides, sèches et ne présentent aucune fuite !
- ▶ Veillez à ce que ces pièces ne soient jamais piétinées, pliées ou tordues.
- ▶ Si le cordon d'alimentation est endommagé, faites-le remplacer par le fabricant (voir la carte de garantie) afin d'éviter tout risque. .

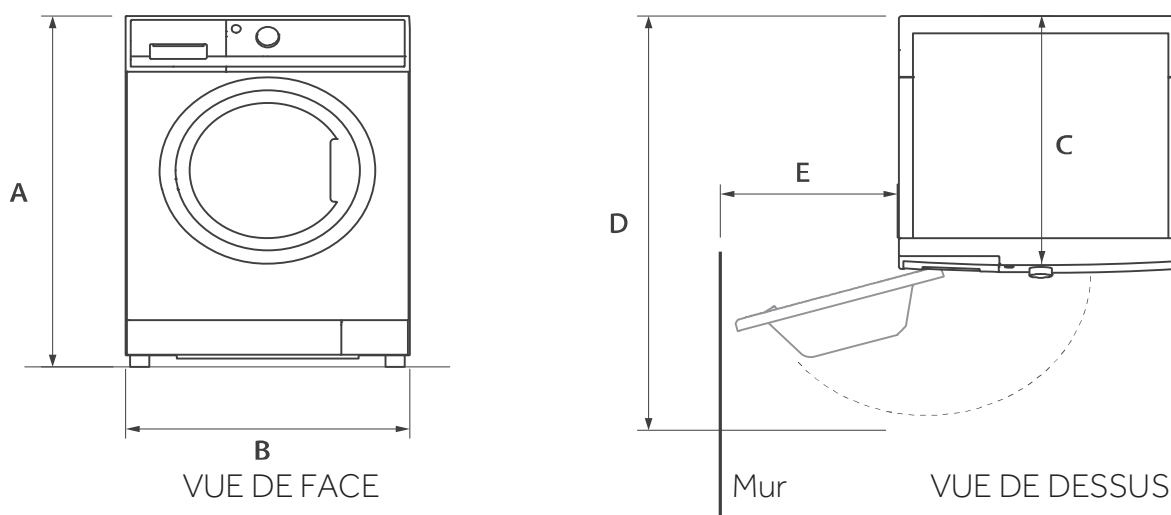
Remarque : Hygiène

Après chaque installation ou une période d'inactivité prolongée, nous vous recommandons, avant la première utilisation, de lancer le programme HYGIÈNE à vide et d'insérer une petite quantité de détergent dans le compartiment du produit de lavage (2) ou un nettoyant spécial machine pour éliminer les résidus potentiellement gênants.

11.1 Autres données techniques

	HW70-BP1439N
Tension en V	220-240 V~/50 Hz
Courant en A	10
Puissance maximale en W	1900
Pression d'eau en MPa	$0,03 \leq P \leq 1$
Poids net en kg	64

11.2 Product dimensions



Dimensions du produit	HW70-BP1439N
A hauteur totale du produit mm	850
B largeur totale du produit mm	595
C profondeur totale du produit mm	460
D profondeur avec porte ouverte mm	960
E dégagement de porte minimum mur adjacent mm	400

Remarque: La hauteur exacte de votre machine dépend de la distance des pieds par rapport au centre de la machine. L'espace où vous installez votre machine doit être d'au moins 40 mm plus large et 20 mm plus profond que ses dimensions.

11.3 Normes et directives

Ce produit répond aux exigences de toutes les directives CE applicables ainsi que les normes harmonisées correspondantes, qui prévoient le marquage CE.

Nous vous recommandons notre service clients Haier et l'utilisation de pièces de rechange d'origine.

Si vous avez un problème avec l'appareil, veuillez vous référer à la section DÉPANNAGE.

Si vous ne trouvez pas de solution, veuillez contacter

- ▶ votre vendeur local
- ▶ rendez-vous sur le site www.haier.com, dans la zone Service et support, vous trouverez des numéros de téléphone et une FAQ. Vous pourrez également contacter le service de réclamation.

Pour contacter notre Service, rassurez-vous que les informations ci-après sont disponibles.

Ces informations sont disponibles sur la plaque signalétique.

Modèle _____ N° de série _____

Vérifiez également la Carte de garantie fournie avec le produit en cas de garantie.

Pour des renseignements généraux concernant les entreprises, vous trouverez ci-jointes nos adresses en Europe :

Adresses de Haier en Europe

Pays*	Adresse postale	Pays*	Adresse postale
Italie	Haier Europe Trading S.R.L. Via De Cristoforis, 12 21100 Verese ITALIE	France	Haier France SAS 3-5 rue des Graviers 92200 Neuilly sur Seine FRANCE
Espagne Portugal	Haier Iberie SL Pg. Garcia Faria, 49-51 08019 Barcelone ESPAGNE	Belgique-FR Belgique-NL Pays-Bas Luxembourg	Haier Bénélux SA Anderlecht Route de Lennik 451 BELGIQUE
Allemagne Autriche	Haier Deutschland GmbH Konrad-Zuse-Platz 6 81829 München GERMANY	Pologne République Tchèque Hongrie Grèce Roumanie Russie	Haier Pologne Sp. zo.o. Al. Jerozolimskie 181B 02-222 Warszawa POLOGNE
Royaume-Uni	Haier Appliances UK Co.Ltd. One Crown Square Church Street East Woking, Surrey, GU21 6HR Royaume-Uni		

*Pour de plus amples informations, veuillez consulter le site www.haier.com



Haier



Gebruikshandleiding
Wasmachine

HW70-BP1439N

NL

Haier

Dank u voor uw aankoop van dit Haier product.

Lees deze handleiding grondig voor u het apparaat in gebruik neemt. De handleiding bevat belangrijke informatie die u zal helpen uw apparaat optimaal te gebruiken en het veilig en correct te installeren, gebruiken en onderhouden.

Bewaar deze handleiding zodat u hem steeds kunt raadplegen voor het veilig en correct gebruik van het apparaat.

Als u het apparaat verkoopt, wegschenkt, of achterlaat wanneer u verhuist, moet u deze handleiding ook meegeven zodat de nieuwe eigenaar vertrouwd kan raken met het apparaat en de veiligheidswaarschuwingen.

Legende



Waarschuwing - Belangrijke veiligheidsinformatie

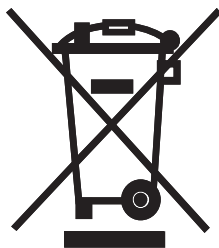


Algemene informatie en tips



Milieu-informatie

Verwijdering



Help het milieu en de gezondheid te beschermen. Plaats de verpakking in de geschikte containers om het te recyclen. Help afval van elektrische en elektronische apparaten recyclen. Gooi apparaten die voorzien zijn van dit symbool niet weg met huishoudelijk afval. Retourneer het product naar uw lokale instelling of neem contact op met uw gemeentelijk kantoor.



WAARSCHUWING!

Risico op letsels of verstikking!

Ontkoppel het apparaat van het netwerk. Snijd het netsnoer door en verwijder het. Verwijder de scharnieren om te vermijden dat kinderen of huisdieren in het apparaat vastgeklemd kunnen raken.

1-Veiligheidsinformatie.....	4
2-Productbeschrijving.....	7
3-Bedieningspaneel.....	8
4-Programma's.....	11
5-Verbruik.....	12
6-Dagelijks gebruik.....	13
7-Milieuvriendelijk wassen.....	18
8-Zorg en reiniging.....	19
9-Probleemoplossen.....	22
10-Installatie.....	26
11-Technische gegevens.....	30
12-Klantendienst.....	31

Voor u het apparaat de eerste maal inschakelt, moet u het veiligheidsadvies lezen!:



WAARSCHUWING!

Voor de eerste ingebruikname

- ▶ Zorg ervoor dat er geen schade is opgetreden tijdens het transport.
- ▶ Zorg ervoor dat alle transportbouten verwijderd zijn.
- ▶ Verwijder alle verpakking en buiten de buurt van kinderen bewaren.
- ▶ Het apparaat moet altijd door minimum twee personen worden gedragen omdat het zo zwaar is.

Dagelijks gebruik

- ▶ Dit apparaat mag worden gebruikt door kinderen van 8 jaar en ouder en personen met een verminderde fysiek, gevoelsmatig en mentaal vermogen of een gebrek aan ervaring en kennis als ze onder toezicht staan of instructies krijgen met betrekking tot het veilige gebruik van het apparaat en de betrokken risico's.
- ▶ Houd het apparaat uit de buurt van kinderen jonger dan 3 jaar oud tenzij ze onder constant toezicht staan.
- ▶ Kinderen mogen niet spelen met het apparaat.
- ▶ Laat kinderen of huisdieren niet dichtbij het apparaat komen als de deur geopend is.
- ▶ Bewaar alle wasmiddelen uit de buurt van kinderen.
- ▶ Sluit ritssluitingen, bevestig losse draden en let erop dat kleine items niet verstrikt kunnen raken. Indien noodzakelijk moet u een zak of net gebruiken.
- ▶ U mag niet op het apparaat drukken of het gebruiken op blote voeten of met natte of vochtige handen of voeten.
- ▶ U mag het apparaat niet afdekken of omwikkelen tijdens de werking of achteraf zodat eventueel vocht kan verdampen.
- ▶ U mag geen zware voorwerpen of bronnen van warmte of vocht bovenop het apparaat plaatsen.
- ▶ Gebruik of bewaar geen ontvlambaar wasmiddel of stomerij reinigingsmiddel dichtbij het apparaat.
- ▶ Gebruik geen ontvlambaar sprays dichtbij het apparaat.
- ▶ Was geen kledingstukken die behandeld werden met oplosmiddelen in het apparaat zonder ze vooraf in de lucht te hebben laten drogen.



WAARSCHUWING!

Dagelijks gebruik

- ▶ U mag de stekker niet verwijderen of invoeren in de aanwezigheid van ontvlambaar gas
- ▶ U mag schuimrubber of sponsachtig materiaal wassen in heet water.
- ▶ U mag geen wasgoed wassen dat vuil is met bloem.
- ▶ U mag de lade met het wasmiddel niet openen tijdens een wascyclus.
- ▶ Druk niet op de deur tijdens een wascyclus. Ze wordt namelijk heet.
- ▶ U mag de deur niet openen als het waterniveau zichtbaar is door het kijkvenster.
- ▶ U mag de deur niet open forceren. De deur is uitgerust met een zelfgrendelend mechanisme en ze opent kort aan het einde van de wasprocedure.
- ▶ Schakel het apparaat uit na elk programma en voor u routine onderhoudswerken uitvoeren. Verwijder de stekker uit het stopcontact om elektriciteit te besparen en uit veiligheidsoverwegingen.
- ▶ U mag nooit aan het netsnoer trekken om de stekker uit het stopcontact te verwijderen.

Onderhoud & reinigen

- ▶ Zorg ervoor dat kinderen onder toezicht staan als ze het apparaat reinigen of onderhouden.
- ▶ Verwijder de stekker uit het stopcontact voor u onderhoudswerkzaamheden uitvoert.
- ▶ Houd het onderste deel van het kijkvenster schoon en open de deur en de lade met het wasmiddel als het apparaat niet in gebruik is om geurtjes te voorkomen.
- ▶ Gebruik geen waterspray of stoom om het apparaat te reinigen.
- ▶ Als het netsnoer beschadigd is, moet het worden vervangen door de fabrikant, zijn onderhoudsdienst of dergelijk gekwalificeerde personen om ieder risico uit te sluiten.
- ▶ Probeer het apparaat nooit zelf te repareren. Neem contact op met onze klantendienst om reparaties te laten uitvoeren.



WAARSCHUWING!

Installatie

- ▶ Het apparaat moet in een goed geventileerde locatie worden geplaatst. Zorg voor een locatie die toelaat de deur volledig te openen.
- ▶ Installeer het apparaat nooit buiten op een vochtige locatie, of in een locatie waar waterlekken kunnen optreden, zoals onder of dichtbij een wastafel. In het geval van een waterlek moet u de elektrische voeding loskoppelen en de machine natuurlijk laten drogen.
- ▶ Installeer of gebruik het apparaat enkel als de temperatuur hoger is dan 5 °C.
- ▶ Plaats het apparaat niet rechtstreeks op een tapijt of dichtbij een muur of meubelstuk.
- ▶ U mag het apparaat niet installeren in direct zonlicht of in de buurt van warmtebronnen (bijv. fornuizen, verwarming).
- ▶ Zorg ervoor dat de elektrische informatie op het naamplaatje overeenstemt met de stroomtoevoer. Zo niet moet u contact opnemen met een elektricien.
- ▶ Gebruik geen multi-stekker adapters of verlengsnoeren.
- ▶ Zorg ervoor dat enkel het geleverde netsnoer en slangset worden gebruikt.
- ▶ Zorg ervoor dat het netsnoer en de stekker niet beschadigd zijn. Indien beschadigd moet het worden vervangen door een elektricien.
- ▶ Gebruik een afzonderlijke aardgeleider voor de voeding die eenvoudig toegankelijk moet zijn na de installatie. Het apparaat moet geaard worden.

Enkel voor het VK: Het netsnoer van het apparaat is uitgerust met een driepolige stekker (aarding) die past in een driepolige (geaarde) stekker. Snij de derde pin (aarding) nooit weg of demonteer ze niet. De stekker moet ook na de installatie toegankelijk zijn.

- ▶ Zorg ervoor dat de naden en de verbindingen van de slang stevig zijn aangebracht en dat er geen lekken zijn.

Beoogd gebruik

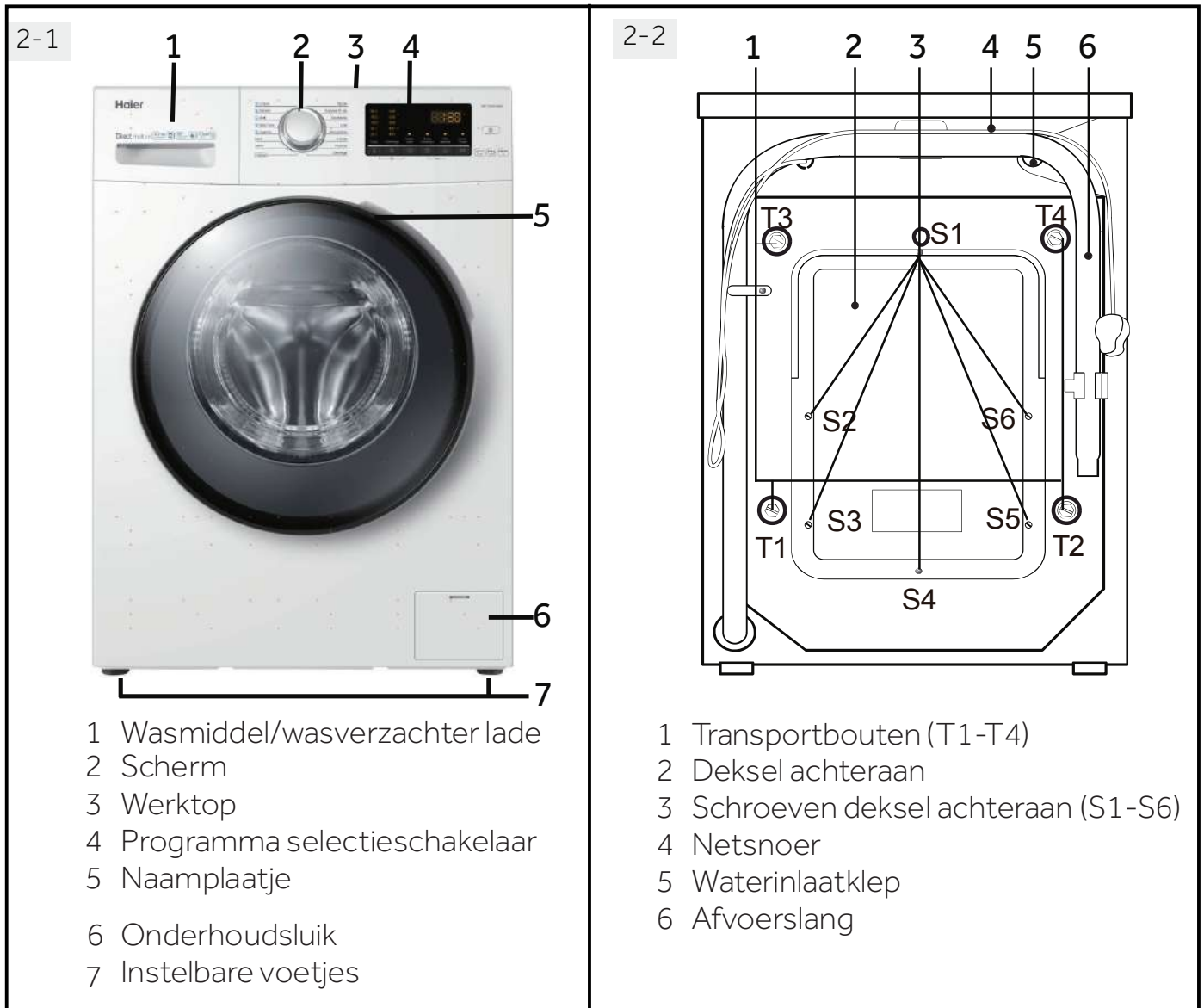
Dit apparaat is enkel bedoeld voor wasgoed dat in de wasmachine mag worden gewassen. U moet altijd de instructies volgen vermeld op het etiket van elk kledingstuk. Het is uitsluitend bedoeld voor gebruik binnen in huis. Het is niet bedoeld voor commercieel of industrieel gebruik.

Wijzigingen aan het apparaat zijn niet toegelaten. Onbedoeld gebruik kan gevaar en het verlies van de garantie en aansprakelijkheidsclaims betekenen.

i Opmerking:

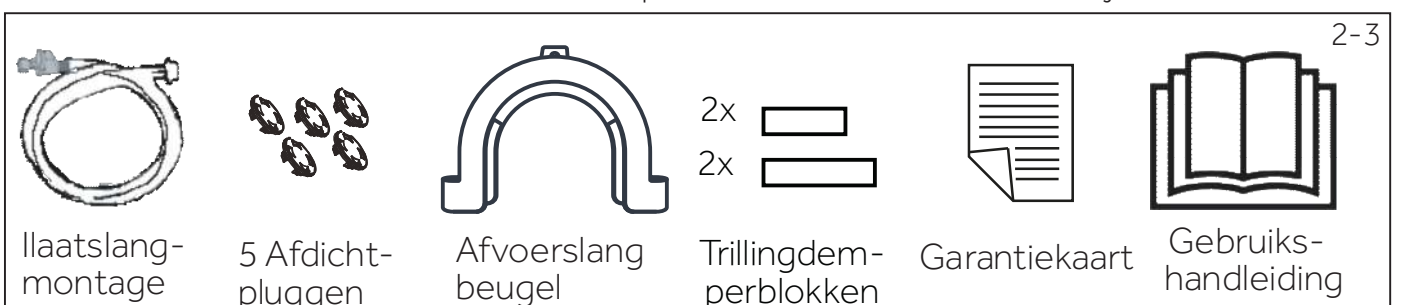
Omwille van technische wijzigingen en uiteenlopende modellen kunnen de illustraties in de volgende hoofdstukken verschillen van uw model.

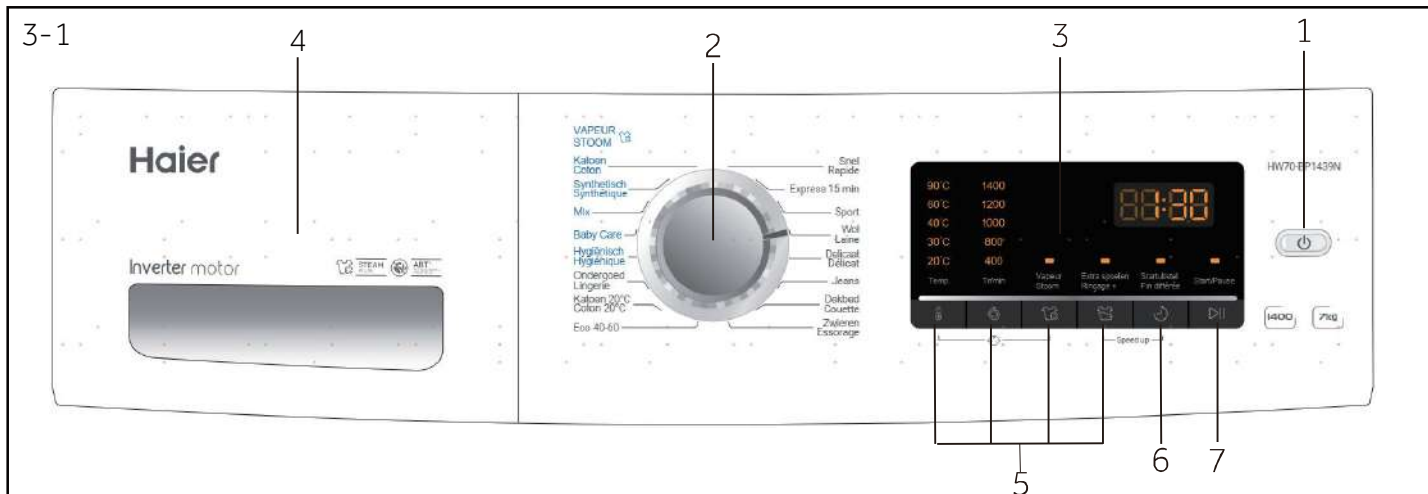
2.1 Afbeelding van het apparaat



2.2 Accessoires

Controleer de accessoires en literatuur op basis van de onderstaande lijst (Afb. 2-3):





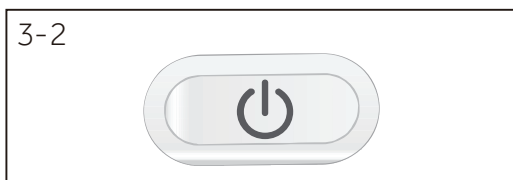
- 1 "Knop Aan/Uit"
- 2 Programma selectieschakelaar
- 3 Scherm
- 4 Wasmiddel/wasverzachter lade
- 5 Functieknoppen
- 6 "Start/uitstel" knop
- 7 "Start/Pause" knop

i Opmerking: Geluidssignaal

In de volgende gevallen geeft een akoestisch signaal standaard geen geluid:

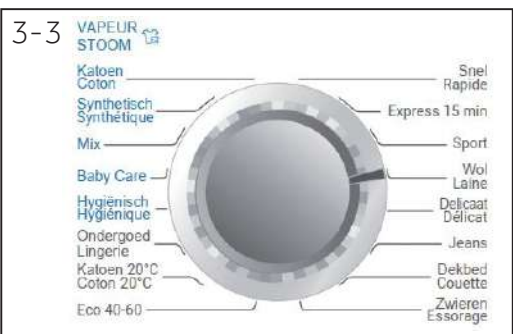
- ▶ wanneer een knop wordt ingedrukt
- ▶ aan het einde van een programma
- ▶ wanneer men aan de programma selectieschakelaar draait

Het geluidssignaal kan indien noodzakelijk worden gedeselecteerd; zie DAGELIJKS GEBRUIK.



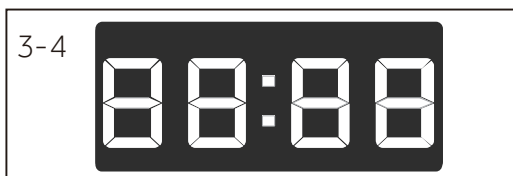
3.1 "Aan/Uit" knop

Druk zacht op de knop (Afb. 3-2) om in te schakelen. Het scherm licht op, de indicator van de "Start/Pause" knop begint te knipperen. Druk opnieuw op de knop gedurende ca. 2 seconden om uit te schakelen. Als er geen onderdeel van het paneel of programma wordt ingeschakeld, zal de machine automatisch uitschakelen.



3.2 Programmaselectie

Met kan één van 16 programma's selecteren met de knop (Afb. 3-3). Het LED-lampje van het programma licht op en de standaardinstellingen worden weergegeven.



3.3 Scherm

Het scherm (Afb. 3-4) geeft de volgende informatie weer:

- ▶ Wasduur
- ▶ Eindtijd startuitstel
- ▶ Foutcodes en onderhoudsinformatie

3.4 Wasmiddel lade

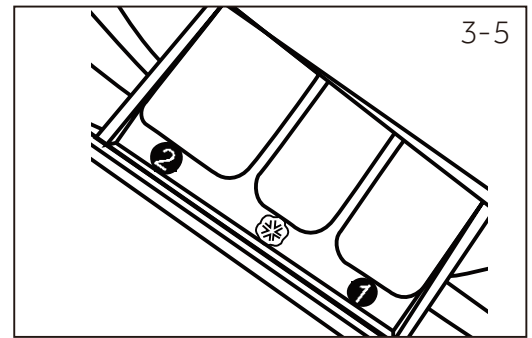
Open de lade, er zijn drie compartimenten zichtbaar (Afb. 3-5):

Compartiment 1: Enkel waterinlaat, geen wasmiddel

Compartiment 2: Oplosmiddel voor programma

Compartiment : Wasverzachter, conditioner, etc.

De aanbeveling van het type oplosmiddelen is geschikt voor uiteenlopende wastemperaturen. Raadpleeg de handleiding van het oplosmiddel.



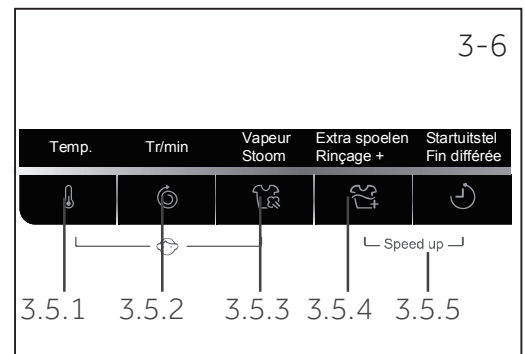
3.5 Functieknoppen

De functieknoppen (Afb. 3-6) schakel bijkomende opties in voor het geselecteerde programma voor de start van het programma. De betrokken indicatoren worden weergegeven.

Als het apparaat wordt uitgeschakeld of een nieuw programma ingesteld, worden alle opties uitgeschakeld.

Als een knop meerdere opties heeft, kan de gewenste optie worden geselecteerd door de knop achtereenvolgens in te drukken.

Om de instelling te verwijderen of de instellingprocedure te annuleren, drukt u op de functieknop tot de gewenste LED-lampjes of - in het geval van slechts één optie - het LED-lampje uitschakelt.



Opmerking: Fabrieksinstellingen

Voor een optimaal resultaat in elk programma heeft Haier goed gedefinieerde specifieke standaardinstellingen. Als er geen speciale vereiste is, worden standaardinstellingen aanbevolen.

3.5.1-Functieknop "Temp."

Druk op deze knop (Afb. 3-7) om de wastemperatuur van het programma te wijzigen. Als er geen waarde oplicht, wordt het water niet opgewarmd.

In combinatie met de "Vapeur/stoom" knop kan de kinderslotfunctie in/uitgeschakeld worden (zie KINDER-SLOT).

3.5.2-Functieknop "Tr/min"

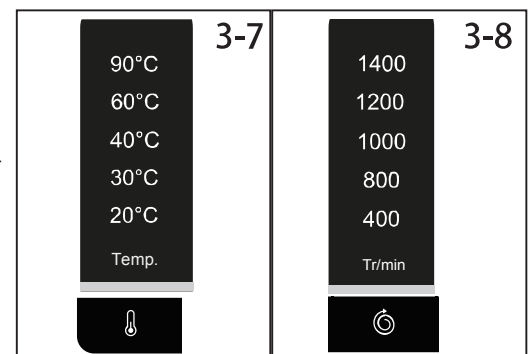
Druk op deze knop (Afb. 3-8) om de toeren/ minuut van het programma te wijzigen of te deselecteren. Als er geen waarde oplicht, wordt het wasgoed niet gewierd.

3.5.3-Functieknop "Vapeur/stoom"

Druk op deze knop (Fig. 3-9) om de stoomfunctie te activeren.

Wanneer deze functie is geactiveerd, is de standaard temperatuur de maximum temperatuur van het geselecteerde programma.

Deze functie kan alleen worden geactiveerd met de volgende programma's: Hygienisch, Babykleding, Mix Synthetisch, Katoen. Wanneer de functie is geactiveerd, gaat het lampje boven de knop branden. Als u nogmaals op deze knop drukt, kan de functie worden gedeactiveerd en wordt het



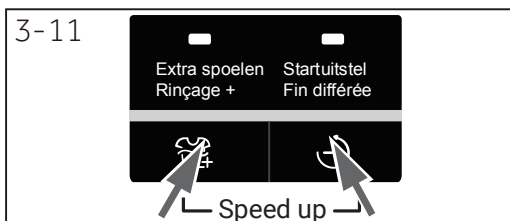
lampje boven de knop uitgeschakeld. Wanneer de functie is geactiveerd, kan de temperatuur van het programma niet worden gewijzigd. Als de "Temp" -knop wordt ingedrukt, wordt de "Stoom"-functie gedeactiveerd. U kunt de "Stoom"-functie alleen activeren voordat u een programma start. U kunt de "Stoom"-functie niet activeren terwijl het apparaat al een programma uitvoert.



3.5.4-Functieknop "Extra spoelen"

Druk op deze knop (Afb. 3-10) om het wasgoed intensiever te spoelen met fris water. Dit wordt aanbevolen voor personen met een gevoelige huid.

Door de knop meerdere malen in te drukken, kan men één tot drie bijkomende cycli selecteren. Ze verschijnen op het scherm met **P-- 1/P-- 2/P-- 3**



3.5.5-Functieknop "Speed up"

Deze functie bespaart tijd en energie. Bij voorkeur wasgoed dat licht vuil is. Druk gelijktijdig op de knop "Extra spoelen." en "Startuitstel" (Afb. 3-11) gedurende ca. 3 seconden om de "Speed up" functie in te schakelen; **SPEED UP** verschijnt. Deze functie is niet beschikbaar in alle programma's (zie PROGRAMMA'S).

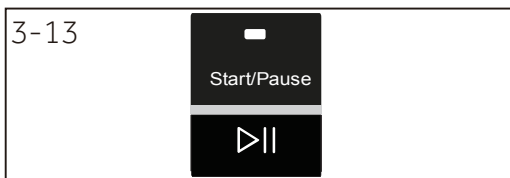


3.6 "Startuitstel" knop

Druk op deze knop (Afb. 3-12) om het programma te starten met startuitstel. Het eindtijd startuitstel kan worden verhoogd in stappen van 30 minuten van 0,5-24u. Bijvoorbeeld, scherm ui **6:30** betekent dat het wasprogramma zal eindigen binnen 6 uur en 30 minuten. Druk op de "Start/Pause" knop om het startuitstel te starten. Dit is niet van toepassing op het ZWIJEREN, Eco 40-60 programma.

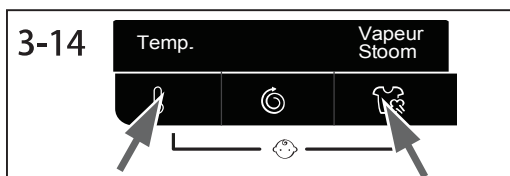
Opmerking: Vloeibaar wasmiddel

Als u vloeibaar wasmiddel gebruikt, wordt het afgeraden het startuitstel in te schakelen.



3.7 "Start/Pause" knop

Druk zacht op deze knop (Fig. 3-13) om het momenteel weergegeven programma te starten of te onderbreken. Tijdens de instelling en uitvoering van het programma licht het LED-lampje boven de knop op, of indien onderbroken begint het te knipperen.



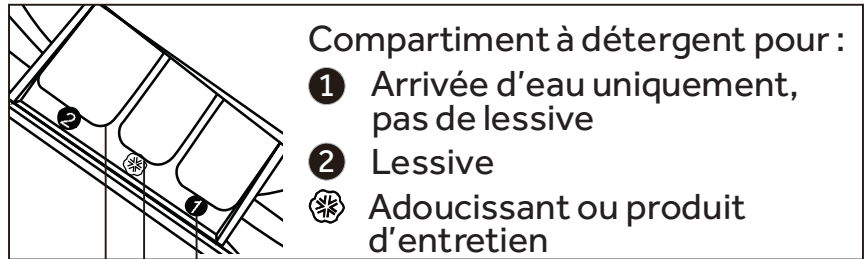
3.8 Kinderslot

Druk gelijktijdig op de knop "Temp." en "Vapeur/Stoom" (Afb. 3-14) gedurende 3 seconden om alle onderdelen van het paneel te blokkeren tegen inschakeling. Om te ontgrendelen, drukt u opnieuw op beide knoppen.



Het scherm geeft **Child Lock** weer (Afb. 3-15) als een knop wordt ingedrukt wanneer het kinderslot ingeschakeld is. De wijziging is niet actief.

• Oui, ◦ En option, / No



Programme	Charge max. ¹⁾ en kg	Température en °C plage sélec- tionnable	Préréglage	Compartiment à détergent			Type de fibre	Vitesse d'es- sorage prére- glée en trs/ min	Fonction		
				2	❄	1			Vapeur	Rinçage +	Speed up
Katoen	7	* tot 90 ²⁾	40	•	◦	/	Katoen	1400	•	•	•
Synthetisch	3.5	* tot 60	40	•	◦	/	Synthetische of ge- mengde stoffen	1200	•	•	•
Mix	7	* tot 60	30	•	◦	/	Licht vuil gemengd wasgoed van katoen en synthetische stoffen	1000	•	•	•
Baby Care	3.5	* tot 90 ²⁾	40	•	◦	/	Machine wasbare stof van wol of met wol-inhoud	1000	•	•	•
Hygiënisch	3.5	90	90	•	◦	/	Katoen	1000	•	•	/
Ondergoed	3.5	* tot 60	40	•	◦	/	Katoen	1000	/	•	•
Katoen 20°C	7	20	20	•	◦	/	Katoen	1400	/	•	•
Eco 40-60	7	/	/	•	◦	/	Katoen	/	/	/	/
Snel ³⁾	3.5	* tot 40	40	•	◦	/	Licht vuil wasgoed van katoen of syn- thetische stoffen	1000	/	•	/
Express 15 min ³⁾	1	* tot 40	*	•	◦	/	Katoen / Synthetisch	1000	/	•	/
Sport	3.5	* tot 40	20	•	◦	/	Sportkledij	800	/	•	/
Wol	1	* tot 40	*	•	/	/	Katoen / Synthe- tisch	800	/	•	/
Delicaat	1	* tot 30	30	•	/	/	Delicaat wasgoed en zijde	400	/	•	/
Jeans	3.5	* tot 60	30	•	◦	/	Jeans	1000	/	•	•
Dekbed	1	* tot 40	40	•	/	/	Katoen	800	/	•	•
Zwieren	7	/	/	/	/	/	alle stoffen	1000	/	/	/

*: water wordt niet opgewarmd (er is geen waarde opgelicht).

¹⁾ Met betrekking tot droog wasgoed.

²⁾ Kies 90 °C enkel als wastemperatuur voor hygiënische vereisten

³⁾ Verminder de hoeveelheid wasmiddel omdat het over een korte programmaduur gaat.

Scan QR-code op energielabel voor informatie over energieverbruik.

Het werkelijke energieverbruik kan verschillen van het aangegeven energieverbruik, afhankelijk van de plaatselijke omstandigheden.

EU 1015/2010 programma

Selecteer Eco 40-60, druk op "Tr/min" 10s, en stel vervolgens in op 60 °C / 40 °C met max. omwentelingsnelheid.

De standaard 60°C en 40°C katoenprogramma 's zijn geschikt om normaal vuil katoenen wasgoed te wassen. Dit zijn de meest efficiënte programma's voor gecombineerd energie en waterverbruik voor katoenen wasgoed. De gebruikte watertemperatuur kunnen verschillen van de vermelde temperatuur van de cyclus.



Opmerking: Automatisch gewicht

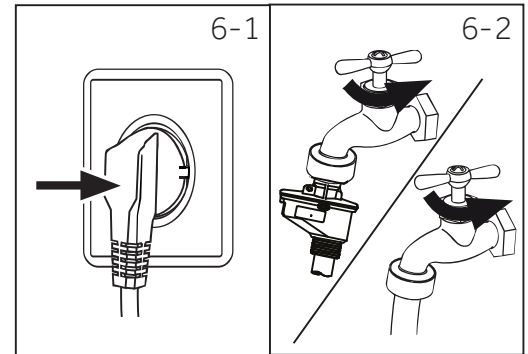
Het apparaat is uitgerust met een lading herkenning. Met een kleine lading wordt de energie, het water en de wasduur automatisch verminderd in sommige programma's. Het display toont **AUTO**.

6.1 Voeding

Sluit de wasmachine aan op het elektrisch net (220V tot 240V~/50Hz; Afb. 6-1). Raadpleeg ook de sectie **INSTALLATIE**.

6.2 Waterverbinding

- ▶ Voor u de verbinding tot stand brengt, moet u de schoonheid en helderheid van de waterinlaat controleren.
- ▶ Draai de kraan open (Afb.6-2).

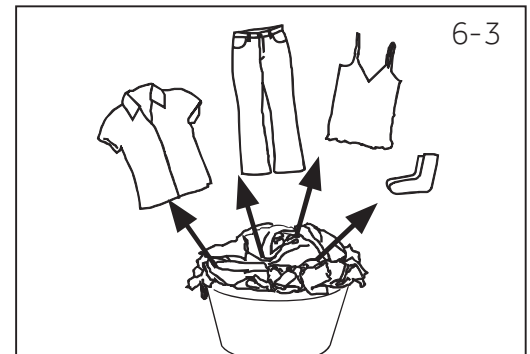


i Opmerking: Strakheid

Voor gebruik moet u controleren op lekken in de verbindingen tussen de kraan en de inlaatslang door de kraan open te draaien.

6.3 Wasgoed voorbereiden

- ▶ Sorteert de kledij naargelang de stof (katoen, synthetisch, wol of zijde) en hoe vuil ze is (Afb. 6-3). Let op de onderhoudssymbolen op de etiketten.
- ▶ Scheid witte kledij van gekleurde kledingstukken. Was gekleurde textiel eerst met de hand om te controleren of de kleuren verbleken of uitlopen.
- ▶ Maak de zakken leeg (sleutels, munten, etc.) en verwijder hardere decoratieve voorwerpen (bijv. spelden).
- ▶ Kledingstukken zonder zomen, delicaat wasgoed en fijn gewoven textiel zoals fijne gordijnen moeten in een waszak worden geplaatst (handwassen of de stomerij zijn betere opties).
- ▶ Sluit ritssluitingen, velcro bevestigingen en haken, zorg ervoor dat de knoppen stevig zijn aangehaaid.
- ▶ Plaats gevoelige items zoals wasgoed zonder een stevige zoom, delicaat ondergoed en kleine items zoals sokken, riemen, beha's, etc. in een waszak.
- ▶ Ontvouw grote stukken wasgoed zoals beddenlakens, spreien, etc.
- ▶ Draai jeans, gedecoreerde of kleur-intensieve textiel binnenste buiten; was ze mogelijk afzonderlijk.



! OPGELET!

Niet-textielen en kleine, losse items, of items met een scherpe rand kunnen defecten veroorzaken en schade toebrengen aan de kledij en het apparaat.

Onderhoudstabel

Reinigen		
 Wasbaar tot 95°C normaal proces	 Wasbaar tot 60°C normaal proces	 Wasbaar tot 60°C zacht proces
 Wasbaar tot 40°C normaal proces	 Wasbaar tot 40°C zacht proces	 Wasbaar tot 40°C heel zacht proces
 Wasbaar tot 30°C normaal proces	 Wasbaar tot 30°C zacht proces	 Wasbaar tot 30°C heel zacht proces
 Handwassen max. 40°C	 Niet wassen	
Bleken		
 Bleken toegelaten	 Enkel zuurstof/ niet-chloor	 Niet bleken
Drogen		
 Trommeldrogen mogelijk normale temperatuur	 Trommeldrogen mogelijk lagere temperatuur	 Niet trommeldrogen
 Drogen aan de waslijn	 Plat drogen	
Strijken		
 Strijken aan een maxi- mum temperatuur tot 200 °C	 Strijken aan een gemiddelde tempe- ratuur tot 150°C	 Strijken aan een lage temperatuur tot 110 °C; zonder stoom (stoomstrijken kan onherroepelijke schade veroorzaken)
 Niet strijken		
Professionele textielverzorging		
 Stomen in tretrach- looretheen	 Stomen in koolwa- terstoffen	 Niet stomen
 Professioneel nat reinigen	 Niet professioneel nat reinigen	

6.4 Het apparaat laden

- ▶ Plaats het wasgoed stuk voor stuk in de trommel
- ▶ Niet overladen. Let op de verschillende maximum lading naargelang het programma! De algemene regel voor de maximale lading: Laat vijftien centimeter tussen de lading en trommel.
- ▶ Sluit het deksel voorzichtig. Zorg ervoor dat er geen wasgoed tussen de deur geklemd raakt.

6.5 Het wasmiddel selecteren

- ▶ De efficiëntie en de prestatie van het wasprogramma wordt bepaald door de kwaliteit van het wasmiddel.
- ▶ Gebruik enkel wasmiddel dat is goedgekeurd voor machinewas.
- ▶ Indien noodzakelijk moet u specifieke wasmiddelen gebruiken, bijv. voor synthetische stoffen of wol.
- ▶ Let altijd op de aanbevelingen van de wasmiddel fabrikant.
- ▶ Gebruik geen stoom reinigingsmiddelen zoals trichloroethyleen en gelijkaardige producten.

Kies het beste wasmiddel

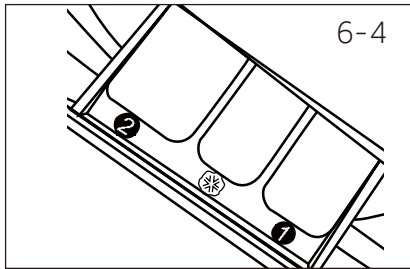
Programma	Type wasmiddel				
	Universeel	Kleur	Delicate	Speciaal	Wasverzachter
Katoen	L/P	L/P	-	-	○
Synthetisch	-	L/P	-	-	○
Mix	L	L/P	-	-	○
Baby Care	-	-	L/P	L/P	○
Hygiënisch	L/P	L/P	-	-	○
Ondergoed	-	-	L/P	L/P	○
Katoen 20°C	L/P	L/P	-	-	○
Eco 40-60	L/P	L/P	-	-	○
Snel	L/P	L	-	-	○
Express 15 min	L	L	-	-	○
Sport	-	-	L/P	L/P	○
Wol	-	-	L/P	L/P	○
Delicaat	-	-	L/P	L/P	○
Jeans	L	L	-	-	○
Dekbed	-	-	L	L/P	-
Zwieren	-	-	-	-	-

L = gel-/vloeibaar wasmiddel P = poeder wasmiddel O = optioneel - = nee

Als u vloeibaar wasmiddel gebruikt, wordt het afgeraden het startuitstel in te schakelen. We raden aan de volgende producten te gebruiken:

- ▶ Waspoeder: 20°C tot 90°C* (optimaal gebruik: 40-60°C)
- ▶ Kleur wasmiddel: 20°C tot 60°C* (optimaal gebruik: 30-60°C)
- ▶ Wol/delicaat wasmiddel: 20°C tot 30°C* (= optimaal gebruik:)

* Kies 90 °C enkel als wastemperatuur voor hygiënische vereisten.

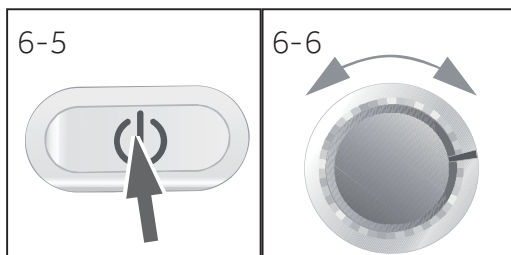


6.6 Wasmiddel toevoegen

1. Open de wasmiddellade.
2. Plaats de vereiste chemicaliën in de overeenstemmende compartimenten (Afb. 6-4)
3. Duw de lade zachtjes in.

i Opmerking:

- ▶ Verwijder wasmiddelresten voor de volgende wascyclus uit de wasmiddellade.
- ▶ Gebruik niet te veel wasmiddel of wasverzachter.
- ▶ Volg de instructie op de verpakking van het wasmiddel.
- ▶ Vul het wasmiddel altijd bij net voor het begin van de wascyclus.
- ▶ Geconcentreerd vloeibaar wasmiddel moet worden opgelost voor het wordt toegevoegd aan compartiment 2.
- ▶ Het beste gebruik van vloeibaar wasmiddel is door een doseringbal te gebruiken die in de wasmachine wordt geplaatst.
- ▶ Gebruik geen vloeibaar wasmiddel als "einde startuitstel" geselecteerd is.
- ▶ Kies de programma-instellingen zorgvuldig in overeenstemming met de onderhoudsymbolen op alle etiketten in overeenstemming met de programmatabel.



6.7 Het apparaat inschakelen

Druk op de "Aan-uit" knop om het apparaat in te schakelen (Afb. 6-5). Het LED-lampje van de "Start/Pause" knop knippert.

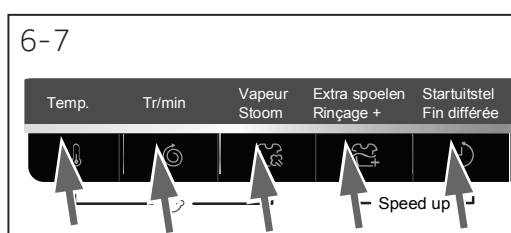
6.8 Selecteer een programma

Voor een optimaal wasresultaat selecteert u een programma dat past bij de graad van vervuiling en het type wasgoed.

Draai aan de programmaknop (Afb. 6-6) om het correcte programma te selecteren. Het relevante LED-lampje licht op en de standaardinstellingen worden weergegeven.

i Opmerking: Geurtjes verwijdering

Voor het eerste gebruik raden we aan het programma DEKBED te gebruiken zonder lading en met een kleine hoeveelheid wasmiddel in het wasmiddel compartiment (2) of met speciale machinereiniger om mogelijke corrumperende resten te verwijderen.

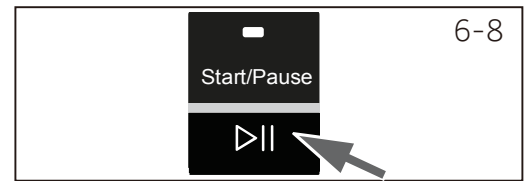


6.9 Individuele selecties toevoegen

Selecteer de vereiste opties en instellingen (Afb. 6-7); raadpleeg BEDIENINGSPANEEL.

6.10 Het wasprogramma starten

Druk op de "Start/Pause" knop (Afb. 6-8) om het programma te starten. Het LED-lampje van de "Start/Pause" knop knipperen en brandt voortdurend. Het apparaat werkt in overeenstemming met de aanwezige instellingen. Wijzigingen zijn enkel mogelijk door het programma te annuleren.



6.11 Wasprogramma onderbreken - annuleren

Een actief programma onderbreken drukt u zacht op de "Start/Pause" knop. Het LED-lampje boven de knop knippert. Druk opnieuw op de knop om het programma te hervatten.

Om een actief programma en alle individuele instellingen te annuleren

1. Druk op de knop "Start/Pause" knop om het actieve programma te onderbreken.
2. Druk op de "Aan-uit" knop gedurende ca. 2 seconden om het apparaat uit te schakelen.
3. Schakel het ZWIJEREN programma in en selecteer "geen Snelheid" (alle lampjes zijn uitgeschakeld) om het water te draineren.
4. Selecteer een nieuw programma en start het.

6.12 Na het wassen



Opmerking: Deurvergrendeling

- ▶ Uit veiligheidsoverwegingen wordt de deur gedeeltelijk vergrendeld tijdens de wascyclus. Het is enkel mogelijk de deur te openen aan het einde van het programma of na de annulering van het programma (zie bovenstaande beschrijving).
- ▶ In het geval van een hoog waterniveau, een hoge watertemperatuur en tijdens het zwieren is het niet mogelijk de deur te openen; **Lock**-verschijnt.

1. Aan het einde van het programma verschijnt **End**.
2. Het apparaat schakelt automatisch uit.
3. Verwijder het wasgoed zo snel mogelijk voor een goede zorg en om meer kreuken te voorkomen.
4. Schakel de watertoevoer uit.
5. Ontkoppel het netsnoer.
6. Open de deur om de opbouw van vocht en geurtjes te voorkomen. Laat ze open wanneer de machine niet in gebruik is.



Opmerking: Stand-bymodus / energiebesparende modus

Het ingeschakelde apparaat schakelt over op de stand-bymodus als het niet wordt ingeschakeld binnen 2 minuten voor de start van het programma of aan het einde van het programma. Het scherm schakelt uit. Dit bespaart energie. Om de stand-bymodus te onderbreken, drukt u op de "Start/Pause" knop.

6.13 De zoemer in- of uitschakelen

Het geluidssignaal kan indien noodzakelijk worden gedeselecteerd:

1. Het apparaat inschakelen.
 2. Selecteer het ZWIJEREN programma.
 3. Druk gelijktijdig op de knop "Startuitstel/Fin différée" en "Extra spoelen/Rinçage +" gedurende ca. 3 seconden. **“BEEP OFF”** verschijnt en de zoemer wordt uitgeschakeld.
- Om de zoemer in te schakelen, drukt u opnieuw gelijktijdig op deze beide knoppen. **“BEEP ON”** verschijnt.



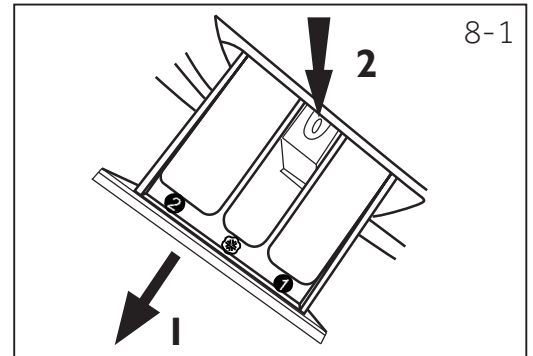
Milieuverantwoordelijk gebruik

- ▶ Voor een optimaal gebruik van energie, water, wasmiddel en de tijdsduur moet u de aanbevolen maximum lading grootte gebruiken.
- ▶ Niet overladen (handbreedte tussenruimte boven wasgoed).
- ▶ Voor licht vervuild wasgoed selecteert u het Express 15 min programma.
- ▶ Gebruik exacte doseringen van elk wasmiddel.
- ▶ Kies het laagste geschikte wastemperatuur - moderne wasmiddelen reinigen efficiënt onder 60°C.
- ▶ Verhoog de standaardinstellingen enkel als er veel vlekken zijn.
- ▶ Select max. zwiersnelheid als men een binnenlandse droogmachine gebruikt.

8.1 De wasmiddellade reinigen

U moet altijd goed opletten of er geen wasmiddelresten zijn. Reinig de lade regelmatig (Afb. 8-1):

1. Trek de lade uit tot ze stopt.
2. Druk op de vrijgave knop en verwijder de lade.
3. Spoel daarna de lade tot ze schoon is en plaats de lade opnieuw in het apparaat.



8-1

8.2 De machine reinigen

- ▶ Verwijder de stekker uit het stopcontact tijdens de reiniging en het onderhoud.
- ▶ Gebruik een zachte doek met vloeibare zeep om de machine behuizing te reinigen (Afb. 8-2) en rubberen onderdelen.
- ▶ Gebruik geen organische chemicaliën of schurende oplosmiddelen.

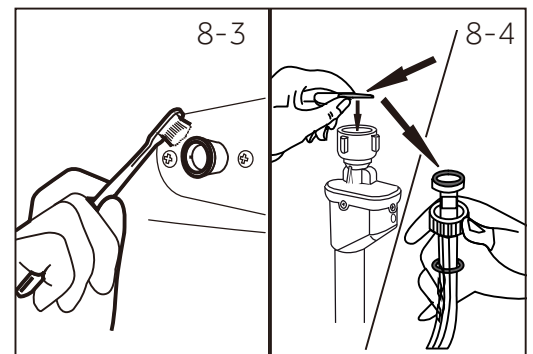
8.3 Waterinlaatklep en inlaatklepfilter

Om blokkeringen van de watertoevoerleiding door vaste stoffen zoals kalk te voorkomen, moet u het inlaatklepfilter regelmatig reinigen.

- ▶ Ontkoppel het netsnoer en sluit de watertoevoer.
- ▶ Schroef de waterinlaatslang los aan de achterzijde (Afb. 8-3) van het apparaat en de kraan.
- ▶ Spoel de filters met water en een borstel (Afb. 8-4).
- ▶ Voer het filter in en installeer de inlaatslang.



8-2

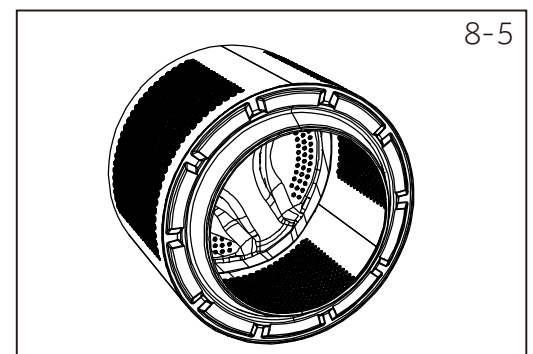


8-3

8-4

8.4 De trommel reinigen

- ▶ Verwijder per ongeluk gewassen metalen onderdelen zoals spelden, munten, etc. uit de trommel (Afb. 8-5) omdat ze roestvlekken en schade veroorzaken.
- ▶ Gebruik een chloorvrij reinigingsmiddel om roestvlekken te verwijderen. Observeer de waarschuwingen van de fabrikant van het reinigingsmiddel.
- ▶ Gebruik geen harde voorwerpen of staalwol voor de reiniging.

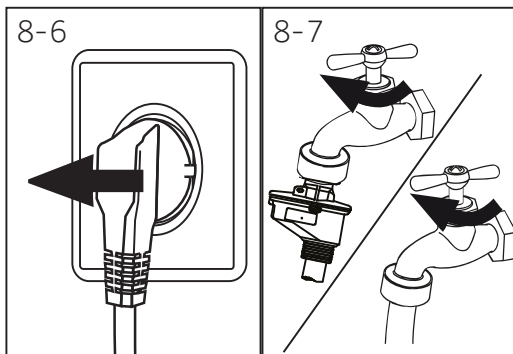


8-5



Opmerking: Hygiëne

Voor regelmatig onderhoud raden we aan elke drie maanden het HYGIËNISCH uit te voeren zonder lading om eventuele schadelijke resten te verwijderen. Voeg een kleine hoeveelheid wasmiddel toe in het wasmiddelvak (2) - of gebruik een speciale machine-reiniger



8.5 Lange perioden van inactiviteit

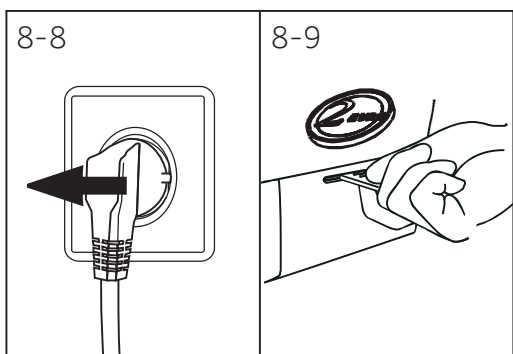
Als het apparaat niet wordt gebruikt gedurende een lange periode:

1. Verwijder de stekker (Afb. 8-6).
2. Schakel de watertoevoer uit (Afb. 8-7).
3. Open de deur om de opbouw van vocht en geurtjes te voorkomen. Laat de deur open wanneer de machine niet in gebruik is.

Voor het volgende gebruik moet u het netsnoer, water invoerleiding en afvoerslang zorgvuldig controleren. Zorg ervoor dat alles correct geïnstalleerd is en dat er geen lekken zijn.

i Opmerking: Hygiëne

Als de machine gedurende lange perioden niet wordt gebruikt raden we aan het programma HYGIËNISCH te gebruiken zonder lading en met een kleine hoeveelheid wasmiddel in het wasmiddel compartiment (2) of met speciale machinereiniger om mogelijke corrumperende resten te verwijderen.



8.6 Pompfilter

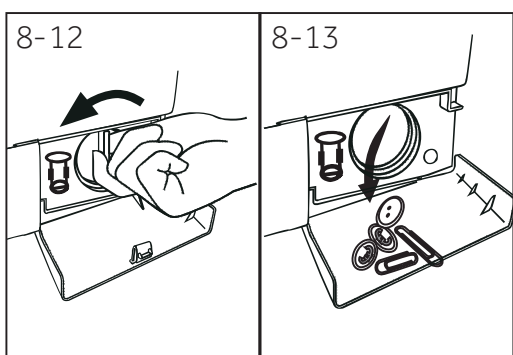
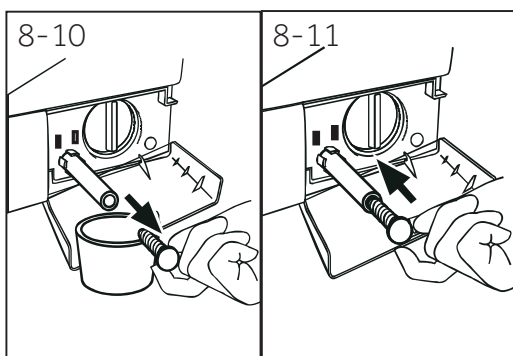
Reinig het filter één maal per maand en controleer het pompfilter bijvoorbeeld als het apparaat:

- ▶ geen water afvoert.
- ▶ niet zwiert.
- ▶ abnormaal lawaai veroorzaakt tijdens de werking.



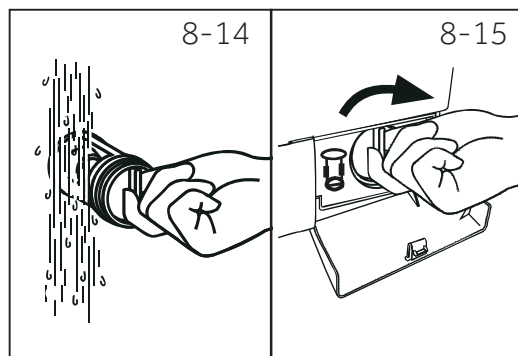
WAARSCHUWING!

Gevaar van brandwonden! Water in het pompfilter kan heel warm worden ! Voor u een handeling uitvoert, moet u het water laten afkoelen.



1. Schakel de machine uit en verwijder de stekker uit het stopcontact (Afb. 8-8).
2. Open de service klep. U kunt een muntstuk of een schroevendraaier gebruiken (Afb. 8-9).
3. Gebruik een vlakke container om het uitloogwater op te vangen (Afb. 8-10). Dit kan een grote hoeveelheid water zijn!
4. Verwijder de afvoerslang en houd de uiteinden boven de container (Afb. 8-10).
5. Verwijder de afdichting stop uit de afvoerslang (Afb. 8-10).
6. Nadat u al het water gedraineerd hebt, sluit u de afvoerslang (Afb. 8-11) en brengt u ze opnieuw aan in de machine.
7. Schroef de schroeven los en verwijder het pompfilter tegen wijzerzin (Afb. 8-12).
8. Verwijder verontreinigingen en vuil (Afb. 8-13).

9. Reinig het pompfilter zorgvuldig, bijv. onder stromend water (Afb. 8-14).
10. Breng het opnieuw stevig aan (Afb. 8-15).
11. Sluit de service klep.



OPGELET!

- ▶ De afdichting van het pompfilter moet schoon en onbeschadigd zijn. Als het deksel niet volledig aangedraaid is, kan water ontsnappen.
- ▶ Het filter moet aangebracht zijn, zo niet kan dit tot lekken leiden.

Veel van de voorkomende problemen kunt u zelf oplossen zonder specifieke expertise. In het geval van een probleem moet u alle weergegeven mogelijkheden controleren en de onderstaande instructies volgen voor u contact opneemt met de dienst na verkoop. Zie KLANTENDIENST.



WAARSCHUWING!

- ▶ Voor ieder onderhoud moet u het apparaat uitschakelen en de stekker verwijderen uit het stopcontact.
- ▶ Elektrische apparaten mogen uitsluitend door gekwalificeerde elektrische experts worden onderhouden. Incorrecte reparaties kunnen aanzienlijke gevolgschade veroorzaken.
- ▶ Als het netsnoer beschadigd is, moet het worden vervangen door de fabrikant, zijn onderhoudsdienst of dergelijk gekwalificeerde personen om ieder risico uit te sluiten.

9.1 Informatiecodes

De volgende codes worden enkel weergegeven ter informatie met verwijzing naar de wascyclus. Er hoeven geen maatregelen te worden uitgevoerd.

Code	Bericht
1:25	De resterende wasduur is 1 uur en 25 minuten
6:30	De resterende wasduur, inclusief het gekozen eindtijd startuitstel, is 6 uur en 30 minuten
P-- 1/2/3	1/2/3 bijkomende spoelingen worden gekozen (zie FUNCTIEKNOPPEN "Extra spoelen").
End	De wascyclus is beëindigd. Het apparaat schakelt automatisch uit.
cLrd	Kinderslotfunctie ingeschakeld
Loc l-	Deur is gesloten omwille van het hoge waterniveau, hoge watertemperatuur of zwiercyclus.
bEEP OFF	De zoemer wordt uitgeschakeld
bEEP On	De zoemer wordt ingeschakeld
SPEED uP	Functie "Versnellen" wordt ingeschakeld

9.2 Probleemoplossing met weergavecode

Probleem	Oorzaak	Oplossing
CLr FLtr	<ul style="list-style-type: none"> • Draineringsfout, water wordt niet volledig afgevoerd binnen 6 minuten 	<ul style="list-style-type: none"> • Reinig de pompfilter. • Controleer de installatie van de afvoerslang.
E2	<ul style="list-style-type: none"> • Vergrendeling - fout. 	<ul style="list-style-type: none"> • Sluit de deur correct.
E4	<ul style="list-style-type: none"> • Het waterniveau niet bereikt na 8 minuten. • Afvoerslang blijft doorlopend overhevelen. 	<ul style="list-style-type: none"> • Zorg ervoor dat de kraan volledig geopend is en dat de waterdruk normaal is. • Controleer de installatie van de afvoerslang.

Probleem	Oorzaak	Oplossing
E8	<ul style="list-style-type: none"> Water beschermingsniveau - fout. 	<ul style="list-style-type: none"> Neem contact op met de klantendienst.
F3	<ul style="list-style-type: none"> Temperatuursensor - fout. 	<ul style="list-style-type: none"> Neem contact op met de klantendienst.
F4	<ul style="list-style-type: none"> Verwarmingsfout 	<ul style="list-style-type: none"> Neem contact op met de klantendienst.
F7	<ul style="list-style-type: none"> Motor - fout. 	<ul style="list-style-type: none"> Neem contact op met de klantendienst.
FA	<ul style="list-style-type: none"> Waterniveau sensor - fout 	<ul style="list-style-type: none"> Neem contact op met de klantendienst.
FE1 of FE2	<ul style="list-style-type: none"> Abnormale communicatiefout 	<ul style="list-style-type: none"> Neem contact op met de klantendienst.
Unb	<ul style="list-style-type: none"> Lading niet in evenwicht - fout. 	<ul style="list-style-type: none"> Controleer en breng de lading in evenwicht in de trommel. Verminder de lading.

9.3 Probleemoplossen zonder weergavecode

Probleem	Oorzaak	Oplossing
Wasmachine werkt niet.	<ul style="list-style-type: none"> Programma is nog niet gestart. Deur is niet correct gesloten. Machine is niet ingeschakeld. Stroompanne. Kinderslotfunctie ingeschakeld. 	<ul style="list-style-type: none"> Controleer het programma en start het. Sluit de deur correct. Schakel de machine aan. Controleer de voeding. Schakel kinderslot uit.
Wasmachine niet gevuld met water.	<ul style="list-style-type: none"> Geen water. Inlaatslang is gebogen. Inlaatslangfilter is geblokkeerd. Waterdruk is minder dan 0,03 MPa. Deur is niet correct gesloten. Watertoevoer defect. 	<ul style="list-style-type: none"> Controleer de waterkraan. Controleer de inlaatslang. Verwijder de blokkering uit het inlaatslangfilter. Controleer de waterdruk. Sluit de deur correct. Controleer de watertoevoer.
De machine draïneert terwijl ze wordt opgevuld.	<ul style="list-style-type: none"> De afvoerslang hangt lager dan 80 cm. Het uiteinde van de afvoerslang kan in het water hangen. 	<ul style="list-style-type: none"> Zorg ervoor dat de afvoerslang correcte geïnstalleerd is. Zorg ervoor dat de afvoerslang niet in het water hangt.
Fout tijdens drainering.	<ul style="list-style-type: none"> Afvoerslang is geblokkeerd. Het pompfilter is geblokkeerd. Het uiteinde van de afvoerslang is hoger dan 100 cm boven de vloer. 	<ul style="list-style-type: none"> U moet de blokkering verwijderen uit de afvoerslang. Reinig de pompfilter. Zorg ervoor dat de afvoerslang correcte geïnstalleerd is.
Sterke trillingen tijdens het zwieren.	<ul style="list-style-type: none"> Niet alle transportbouten werden verwijderd. Het apparaat staat niet op een stevige ondergrond. De lading in de machine is niet correct. 	<ul style="list-style-type: none"> Verwijder alle transportbouten. Zorg voor een stevige ondergrond en een genivelleerde plaatsing. Controleer het gewicht en het evenwicht van de lading.

Probleem	Oorzaak	Oplossing
De werking stopt voor het einde van de wascyclus.	<ul style="list-style-type: none"> Water of elektrische fout. 	<ul style="list-style-type: none"> Controleer de stroom- en wattertoevoer.
De machine stopt gedurende een bepaalde periode.	<ul style="list-style-type: none"> Het apparaat geeft een foutcode weer. Probleem omwille van het ladingpatroon. Programma voert de spoelcyclus uit. 	<ul style="list-style-type: none"> Overweeg de weergavecodes. Verminder de lading of pas ze aan. Annuleer het programma en start het opnieuw.
Overtollig schuim drijft in de trommel en/of de wasmiddellade.	<ul style="list-style-type: none"> Wasmiddel is niet geschikt. Overmatig gebruik van wasmiddel. 	<ul style="list-style-type: none"> Controleer de wasmiddel aanbevelingen. Verminder de hoeveelheid wasmiddel.
Automatische aanpassing van de wasduur.	<ul style="list-style-type: none"> Wasduur wordt aangepast. 	<ul style="list-style-type: none"> Dit is normaal en heeft geen impact op de werking.
Zwieren mislukt.	<ul style="list-style-type: none"> Wasgoed niet in evenwicht. 	<ul style="list-style-type: none"> Controleer de lading en het wasgoed en laat het zwierprogramma opnieuw draaien.
Ontoereikend wasresultaat.	<ul style="list-style-type: none"> Graad van vervuiling stemt niet overeen met het geselecteerde programma. Onvoldoende wasmiddel aanwezig. Maximum lading is overschreden. Wasgoed was ongelijkmatig verdeeld in de trommel. 	<ul style="list-style-type: none"> Selecteer een ander programma. Kies het wasmiddel in overeenstemming met de graad van vervuiling en de specificaties van de fabrikant. Verminder de lading. Breng het wasgoed losser aan.
Er zijn waspoeder resten aanwezig op het wasgoed.	<ul style="list-style-type: none"> Onoplosbare deeltjes wasmiddel kunnen als witte puntjes achterblijven op het wasgoed. 	<ul style="list-style-type: none"> Extra spoelen uitvoeren. Probeer de puntjes weg te borstelen van uw droge wasgoed. Kies een ander wasmiddel.
Wasgoed heeft grijze vlekken.	<ul style="list-style-type: none"> Veroorzaakt door vetten zoals oliën, crèmes of zalfjes. 	<ul style="list-style-type: none"> Behandel het wasgoed vooraf met een speciaal reinigingsmiddel.



Opmerking: Schuimvorming

Als er te veel schuim aanwezig is tijdens het zwieren, stopt de motor en de draineerpomp wordt gedurende 90 seconden ingeschakeld. Als die verwijdering van het schuim niet geslaagd is na 3 pogingen eindigt het programma zonder zwieren.

Als de foutberichten opnieuw verschijnen, zelfs na het nemen van maatregelen, moet u het apparaat uitschakelen, de voeding loskoppelen en Neem contact op met de klantendienst.

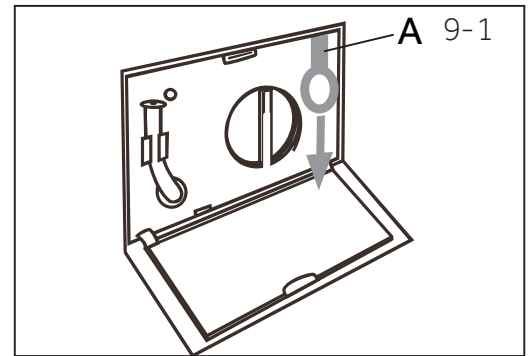
9.4 In het geval van een stroompanne

Het huidige programma en de instelling worden opgeslagen. Als de stroom hersteld is, kunt u de bewerking hervatten.

In het geval van een stroompanne als de machine ingeschakeld is, wordt het openen van de deur mechanisch geblokkeerd. Als er wasgoed moet worden verwijderd, mag het water niet zichtbaar zijn door de glazen deur.

- Gevaar van brandwonden!

- ▶ Laat het waterniveau zakken in overeenstemming met stap 1 tot 6 van hoofdstuk ZORG EN REINIGING (POMPFILTER).
- ▶ Trek aan de hendel (A) onder de onderhoudsklep (Afb. 9-1) tot de deur ontgrendeld is met een zachte klik.
- ▶ Bevestig alle onderdelen en sluit de onderhoudsklep.



10.1. Voorbereiding

- ▶ Verwijder het apparaat uit de verpakking.
- ▶ Verwijder al het verpakkingsmateriaal, inclusief de polystyreen basis, houd ze buiten het bereik van kinderen. Wanneer u de verpakking opent, kunnen waterdruppels zichtbaar zijn op de plastic zak en het kijkvenster. Dit normale fenomeen is het resultaat van watertests in de fabriek.



Opmerking: Weggooien van de verpakking

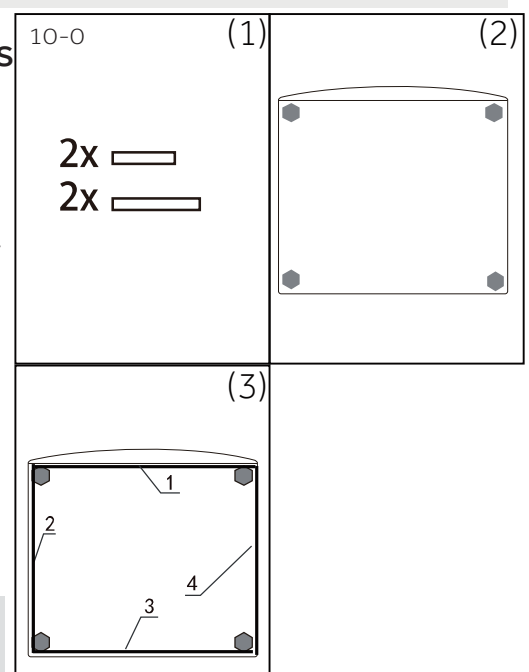
Houd alle verpakking buiten het bereik van kinderen en gooi ze weg op een milieuvriendelijke wijze.

10.2 Noise Resuction Pads Installation Instructions

1. Wanneer u de krimpfolie verpakking opent, zult u een aantal geluiddempende pads zien. Deze dienen om het geluid te dempen. (Afb. 10-0)
2. Leg de wasmachine op de zijkant, met het kijkvenster naar boven en de onderzijde naar de operator gericht.
3. Verwijder de geluiddempende pads en verwijder de dubbelzijdige klevende beschermende folie; Plak de geluiddempende pads onder de wasmachine zoals weergegeven in Afbeelding 3 (twee langere pads in positie 1 en 3 kortere pads in positie 2 en 4). Zet de machine opnieuw recht.

Nuttige tip:

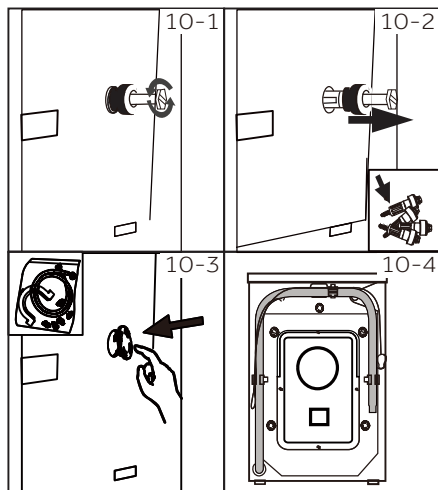
De geluiddempende pads zijn optioneel. Ze kunnen helpen met het dempen van lawaai, maar u kunt zelf beslissen of u ze al of niet wenst te installeren.



10.3 Ontmantelt de transportbouten

De transportbouten zijn ontworpen om trillingsdempende onderdelen in het apparaat te klemmen tijdens het transport om interne schade te voorkomen.

1. verwijder alle 4 bouten aan de achterkant en verwijder de plastic afstandsstukken (Afb.10-1) (Afb.10-2)
2. Vul de linkergaten met afdichtpluggen (Afb.10-3) (Afb.10-4)



Opmerking: Bewaren op een veilige locatie

Houd de transportbouten op een veilige plaats voor later gebruik. Als het apparaat moet worden verplaatst, moet u eerst de bouten opnieuw monteren.

10.4 Het apparaat verplaatsen

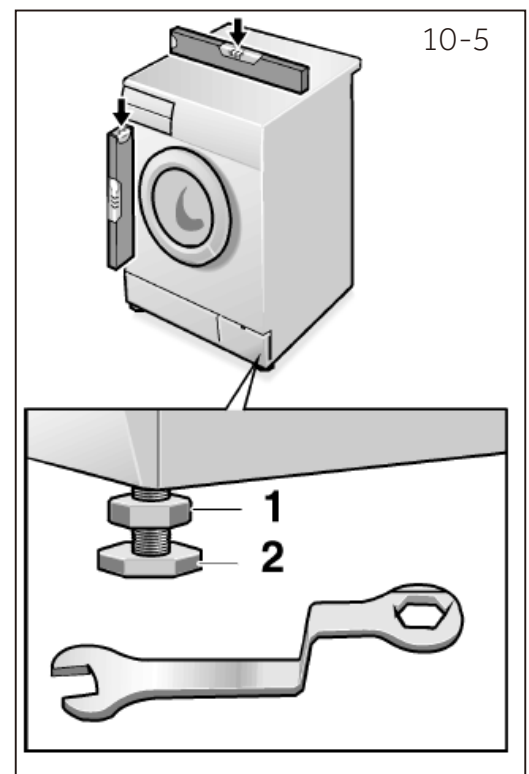
Als de machine naar een verre locatie moet worden verplaatst, moet u de transportbouten opnieuw aanbrengen die u hebt verwijderd voor de installatie om schade te vermijden:

1. Verwijder de afdichtpluggen.
2. Verwijder het deksel achteraan
3. Breng de plastic tussenringen en de transportbouten aan.
4. Draai de bouten aan met een sleutel.
5. Breng het deksel achteraan opnieuw aan.

10.5 Het apparaat uitlijnen

Pas alle voetjes aan (Afb. 10-5) om een volledige horizontale positie te bereiken. Dit herleidt de trillingen en dus het lawaai tot een minimum tijdens het gebruik. Dit vermindert ook de slijtage. We raden aan een waterpas te gebruiken voor de bijstelling. De vloer moet zo stabiel en vlak mogelijk zijn.

1. Schroef de borgmoer (1) los met een sleutel.
2. Pas de hoogte aan door te draaien aan de voetjes (2).
3. Draai de borgmoer (1) aan tegen de behuizing.



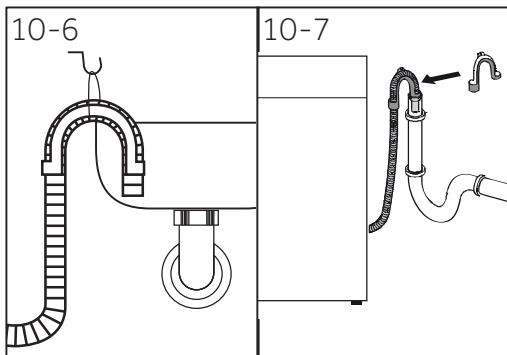
10.6 Draineerwater verbinding

Bevestig de waterafvoerslang correct op de leidingen. De slang moet een punt bereiken tussen 80 en 100 cm boven de onderste lijn van het apparaat! Indien mogelijk, moet u de afvoerslang altijd bevestigd houden met de klep op de achterzijde van het apparaat.



WAARSCHUWING!

- ▶ Gebruik enkel het geleverde slangenset voor de aansluiting.
- ▶ U mag nooit oude slangensets opnieuw gebruiken!
- ▶ Uitsluitend aansluiten op een toevoer van koud water.
- ▶ U moet controleren of het water zuiver en helder is voor u de verbinding tot stand brengt.



De volgende verbindingen zijn mogelijk:

10.6.1 Afvoerslang naar wastafel

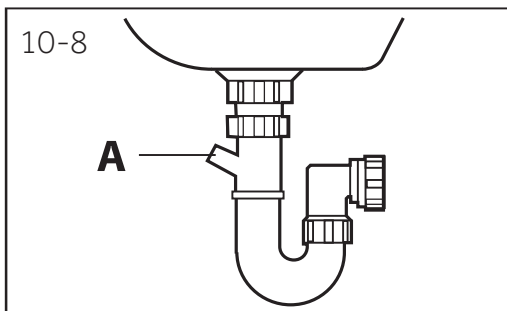
- ▶ Hang de afvoerslang met de U-steun over de rand van een voldoende grootte wastafel (Afb. 10-6).
- ▶ Bescherm de U-steun voldoende tegen slippen.

10.6.2 Afvoerslang naar afvalwaterverbinding

- ▶ De interne diameter van de standpijp met ventilatieopening moet minimum 40 mm zijn.
- ▶ Plaats de afvoerslang ca. 80 mm in de afvalwaterleiding.
- ▶ Bevestig de U-steun en beveilig hem (Afb. 10-7).

10.6.3 Afvoerslang naar wastafel aansluiting

- ▶ De verbinding moet boven de sifon
- ▶ Een tapkraanverbinding wordt gewoonlijk afgesloten met een dop (A). Deze moet worden verwijderd om defecten te voorkomen (Afb. 10-8).
- ▶ Beveilig de afvoerslang met een klem.



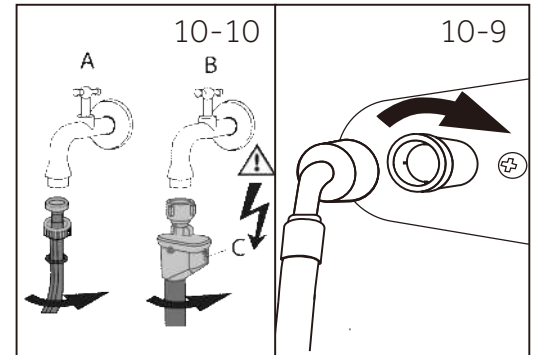
OPGELET!

- ▶ De afvoerslang moet ondergedompeld zijn in water en ze moet beveiligd worden en lekvrij zijn. Als de afvoerslang op de vloer wordt geplaatst of als de leiding op minder dan 80 cm hoog wordt aangebracht, zal de wasmachine doorlopend blijven draineren terwijl ze wordt opgevuld (zelf-overheveling).
- ▶ Afvoerslang mag niet worden verlengd. Indien noodzakelijk neemt u contact op met de dienst na verkoop.

10.7 Zoetwater verbinding

Zorg ervoor dat de pakkingen ingevoegd zijn.

1. Verbind de waterinlaatslang met het gehoekte uiteinde op het apparaat (Afb. 10-9). Schroef de schroeven vast met de hand.
2. Het andere uiteinde wordt verbonden op een waterkraan met een 3/4" draad (Afb. 10-10).



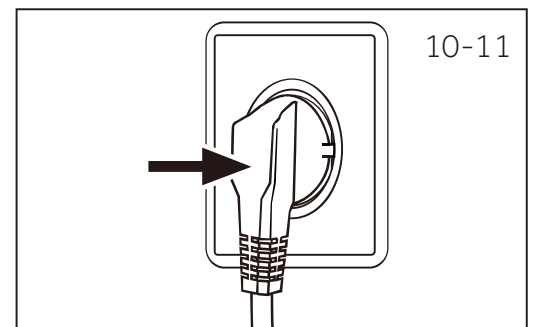
i Opmerking: Aqua-stop-systeem:

Sommige modellen zijn uitgerust met een aqua-stop inlaatslang (B). het aqua-stop systeem beschermt tegen waterschade door de watertoevoer automatisch af te sluiten als de slang lekken vertoont. Dit wordt aangegeven met een rode markering (C). De slang moet worden vervangen.

10.8 Elektrische verbinding

Voor elke aansluiting moet u controleren of:

- ▶ het elektrisch net, stopcontact en de zekeringen overeenstemmen met de informatie op het naamplaatje.
- ▶ het stopcontact geaard is en er geen multi-stekker of verlengsnoer wordt gebruikt.
- ▶ de stekker en het stopcontact overeenstemmen.
- ▶ **Enkel UK:** De UK stekker voldoet aan de BS1363A norm.



Voer de stekker in het stopcontact (Afb. 10-11).

! WAARSCHUWING!

- ▶ Zorg er altijd voor dat alle verbindingen (voeding, afvoer- en zoetwaterslag) stevig zijn aangebracht en dat ze droog zijn en geen lekken vertonen!
- ▶ Zorg ervoor dat deze onderdelen nooit worden samengedrukt, verwrongen of gebogen
- ▶ Als het netsnoer beschadigd is, moet het worden vervangen door de onderhouds-agent (zie garantiekaart) om elk risico uit te sluiten. .

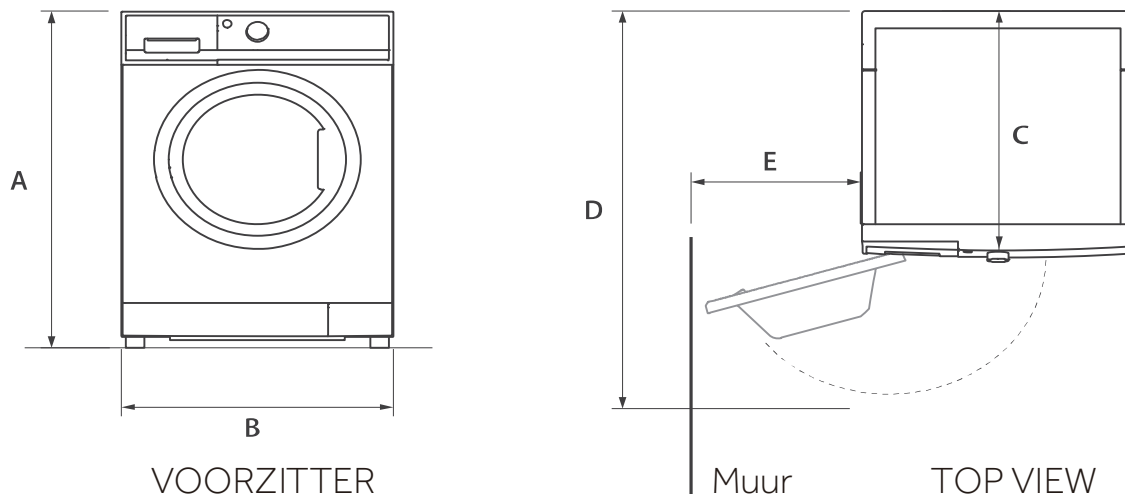
i Opmerking: Hygiëne

Na elke installatie of als het apparaat gedurende lange perioden niet wordt gebruikt, voor het eerste gebruik en voor regelmatige onderhoudswerken kunt u het programma HYGIËNISCH gebruiken zonder lading en met een kleine hoeveelheid wasmiddel in het wasmiddel compartiment (2) of met speciale machinereiniger om mogelijke corrumperende resten te verwijderen.

11.1 Bij komende technische gegevens

	HW70-BP1439N
Voltage in V	220-240 V~/50Hz
Stroom in A	10
Max vermogen in W	1900
Waterdruk in MPa	$0.03 \leq P \leq 1$
Nettogewicht in kg	64

11.2 Omvang van het product



OMVANG VAN HET PRODUCT	HW70-BP1439N
A Totale hoogte van het product mm	850
B Algehele breedte van het product mm	595
C Algehele diepte van het product (Naar de grootte van de hoofdbestuur) mm	460
D Diepte van de deur open mm	960
E Minimale deuropening naar aangrenzende muur mm	400

Merk op: De exacte hoogte van uw wasmachine is afhankelijk van hoe ver de voeten van de basis van de machine. De ruimte waar u uw wasmachine installeert moet op zijn minst 40mm breder en 20mm dieper dan zijn afmetingen.

11.3 Normen en richtlijnen

Dit product stemt overeen met de vereisten van alle toepasselijke EU-richtlijnen met de overeenstemmende geharmoniseerde normen die gelden voor de CE-markering.

We raden onze Haier klantendienst aan en het gebruik van originele reserveonderdelen. Als u een probleem ondervindt met uw apparaat moet u eerst de sectie PROBLEEMOPLOSSEN controleren.

Als u daar geen oplossing vindt, kunt u contact opnemen met

- ▶ uw lokale verdeler
- ▶ de Onderhoud & Ondersteuning zone op www.haier.com waar u telefoonnummers en VGV kunt vinden en waar uw service claim kunt activeren.

Wanneer u contact opneemt met onze service moet u de volgende informatie bij de hand hebben.

De informatie staat vermeld op het naamplaatje.

Model _____ Serienr. _____

Controleer ook het garantiokaartje dat wordt geleverd met het product met betrekking tot de garantie.

Voor algemene zakelijke vragen vindt u hieronder onze adressen in Europa:

Europese Haier adressen			
Land*	Postadres	Land*	Postadres
Italië	Haier Europe Trading SRL Via De Cristoforis, 12 21100 Verese ITALIË	Frankrijk	Haier France SAS 3-5 rue des Graviers 92200 Neuilly sur Seine FRANKRIJK
Spanje Portugal	Haier Iberia SL Pg. Garcia Faria, 49-51 08019 Barcelona SPANJE	België-FR België-NL Nederland Luxemburg	Haier Benelux SA Anderlecht Route de Lennik 451 BELGIË
Duitsland Oostenrijk	Haier Deutschland GmbH Hewlett-Packard-Str. 4 D-61352 Bad Homburg DUITSLAND	Polen Tsjechië Hongarije Griekenland Roemenië Rusland	Haier Poland Sp. zo.o. Al. Jerozolimskie 181B 02-222 Warszawa POLEN
Verenigd Koninkrijk	Haier Appliances UK Co.Ltd. One Crown Square Church Street East Woking, Surrey, GU21 6HR UK		

*Voor meer informatie verwijzen wij u naar www.haier.com



Haier

0020509288G