



**important** safety instructions and manufacturer's warranty



---

## contents

---

<b>USA</b> English	3 - 8
<b>ES</b> Spanish	9 - 14
<b>FR</b> Français	15 - 20

USA

ghd curve  
safety instructions and manufacturer's warranty

# important safety instructions

When using electrical appliances, especially when children are present, basic safety precautions should always be followed, including the following:

## READ ALL INSTRUCTIONS BEFORE USING

### DANGER: KEEP AWAY FROM WATER

**DANGER:** As with most electrical appliances electrical parts are electrically live even when the switch is off.



### DANGER: THIS PRODUCT SHOULD NOT BE USED BY CHILDREN

#### To reduce the risk of death by electric shock:

1. Always unplug it immediately after using.
2. Do not use while bathing or showering.
3. Do not place or store appliance where it can fall or be pulled into a tub or sink or anywhere else that may contain water.

4. Do not place in or drop into water or any other liquid.
5. If an appliance falls into water, unplug it immediately. Do not reach into the water.

#### WARNING – To reduce the risk of burns, electrocution, fire, or injury to persons:

1. An appliance should never be left unattended when plugged in.
2. This product should not be used by children. Close supervision is necessary when this appliance is used by, on, or near children or individuals with certain disabilities.
3. Use this appliance only for its intended use, as described in this manual. Do not use attachments not recommended by the manufacturer.
4. Never operate this appliance if it has a damaged cord or plug, if it is not working properly, or if it has been damaged, or dropped into water. Return the appliance to a service center for examination and repair.
5. Keep the cord away from heated surfaces. Do not wrap the cord around the appliance.
6. Never block the air openings of the appliance or place it on a soft surface, such as a bed or couch, where the air openings may be blocked. Keep the air openings free of lint, hair, and the like.

7. Never use while sleeping.
8. Never drop or insert any object into any opening or hose.
9. Do not use outdoors or operate where aerosol (spray) products are being used or where oxygen is being administered.
10. Do not use an extension cord with this appliance.
11. Do not operate with a voltage converter.
12. The ghd curve contains high tech sensitive components therefore please ensure that the product is not dropped. Do not insert foreign objects, paint, burn or disassemble your ghd curve. Do not use your ghd curve if it has been damaged – for example if the styler casing is cracked. If your product is damaged through mis-use or abuse, this will not be covered under your warranty. This does not affect your statutory rights.

#### WARNING: hot surfaces

The ghd curve barrel is hot for effective styling.

#### To reduce the risk of burns:

1. NEVER touch the barrel of ghd curve.
2. Do not allow the heater barrel to touch textiles, plastic material, or other heat sensitive surfaces.
3. When not styling always lay the ghd curve on a flat heat-resistant surface such as a ghd styler heat mat.

4. When styling is complete, always switch off the ghd curve and unplug it from the power supply.
5. Wait for the ghd curve to cool before storing.
6. After styling the heater barrel remains hot – for safe cooling cover the plates with the heat proof plate guard.
7. When the ghd curve has cooled, fold the power cord in the same way as it was first delivered in its packaging. Do not wind it around your hand or the body of the ghd curve as this can lead to early failure of the power cord.

#### Servicing of double-insulated appliances

Your ghd product is a (class II) double insulated electrical appliance and should not be connected to an earth connection.



In a double-insulated appliance, two systems of insulation are provided instead of grounding. No grounding means is provided on a double-insulated appliance, nor should a means for grounding be added to the appliance. Servicing a double-insulated appliance requires extreme care and knowledge of the system, and should be done only by qualified service personnel. Replacement parts for a double-insulated appliance must be identical to the parts they replace.

A double-insulated appliance is marked with the words “DOUBLE INSULATION” or “DOUBLE INSULATED”. The symbol (square within a square) may also be marked on the appliance.

## save these instructions

#### Operating instructions

This appliance has a polarized plug (one blade is wider than the other). As a safety feature, this plug will fit in a polarized outlet only one way. If the plug does not fit fully in the outlet, reverse the plug. If it still does not fit, contact a qualified electrician. Do not attempt to defeat this safety feature.

#### Application Leakage Circuit Interrupter

Your appliance is equipped with an Application Leakage Circuit Interrupter (ALCI) protection device that may make the appliance inoperable under some abnormal conditions (such as immersion of the appliance). To ensure that the ALCI plug is functioning correctly the following test can be performed:

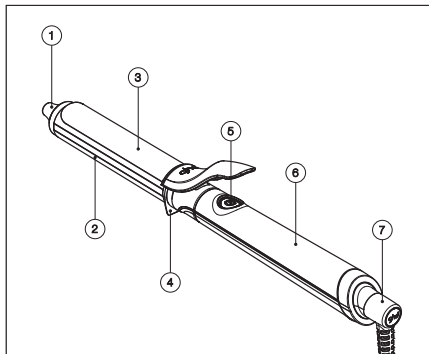
1. Plug in your appliance and press the yellow test button on the plug.
2. This will cause the appliance to stop working.
3. To reset the appliance press the red reset button.

If the ALCI protection device becomes inoperable or starts to malfunction, please contact ghd Professional, North America Inc. at 877-GHD-ANGEL (1-887-443-2643) for further advice.

**Every time you use your appliance you should check that the ALCI protection device functions correctly.**

## operation

Ensure that hair is completely dry before using the ghd curve appliance.



- ① Cool tip
- ② Barrel
- ③ Lever (tong only)
- ④ Stand
- ⑤ ON/OFF Switch
- ⑥ Handle
- ⑦ Power cord

1. Plug your ghd curve into the power supply. The switch surround will flash white for less than 1 second to indicate that it is now connected to mains electricity. The appliance is now in standby mode.
2. To heat up the ghd curve for styling, press and hold the ON/OFF button for at least 2 seconds to turn the appliance on. Your ghd curve will play a short start up tune, followed by lights which pulse every 2 seconds to indicate the appliance is heating up.
3. **IMPORTANT:** ghd curve reaches the required temperature in seconds, so don't touch the hot appliance barrel! Once the ghd curve appliance has reached operating temperature – the “at temperature” tune will sound – this is 1 beep. The ghd curve appliance lights will then illuminate continuously around the switch to indicate that the appliance is at temperature and ready for you to begin styling.
4. When you have finished your styling session,

press and hold the ON/OFF button for more than 2 seconds to turn the appliance off. A shut down tune will play to indicate the appliance has been turned off. Once turned off, it is best practice to unplug the appliance from the mains electricity and allow it to cool in a safe place. For safe cooling place the appliance on a ghd heat proof mat using the built-in safety stand and allow to cool.

**WARNING: while the appliance is cooling down do not touch the barrel or allow children or those with reduced physical, sensory or mental capabilities, or lack of experience and knowledge to touch the appliance whilst it is cooling.**

**ghd curve has the following safety features:**

1. **Sleep mode:** if your ghd curve has been left on and has not been used for more than 30 minutes a safety feature will automatically put the appliance into sleep mode for 10mins, the appliance will start to cool and the lights around the button will pulse slowly. After this period of sleep mode has been exceeded the appliance will then revert to standby mode. The appliance lights will turn off at the same time.
  - a. Note that although ghd curve is turned off, it is

still connected to the mains and should be unplugged from mains electricity at the earliest opportunity.

**b.** To restart the appliance while it is in sleep mode, simply turn it on by pressing and holding down the ON/OFF button for more than 1 second.

- 2. Fail safe:** in the unlikely event of a control system error, for safety the heaters will be turned off, ghd curve will emit rapid beeps and the red lights around the switch will flash at 1 sec intervals. Switch off the appliance at the mains and restart. If the unit does not restart contact ghd Customer Services for advice.

---

## user-maintenance instructions

---

### Cleaning your ghd curve

1. Unplug the ghd curve from the mains power supply.
2. Always allow the ghd curve to cool before attempting to clean it.
3. Never immerse the appliance in water.
4. Wipe the outside of the ghd curve with a damp cloth. Do not use sharp or abrasive detergents or

corrosive products.

### Storage

1. Always allow the ghd curve to cool down before storing away.
2. When the ghd curve has cooled down, fold the power cord in the same way as it was first delivered in its packaging. Do not wrap the supply cord around the ghd curve as this can strain the cord and cause premature supply cord failure.

### Failure to operate

Your ghd styling appliance is a high performance product and if the unit is subjected to large fluctuation in mains power during use it may go into fail-safe mode to protect the unit from damage. Therefore, in the unlikely event that your ghd product does not operate correctly, check that the ghd product and mains power supply are switched on, and that power is available.

If your product stops working and the red fault light flashes, please follow the procedure below:

1. Switch off the unit
2. Unplug the unit from the plug socket
3. Wait for 5 seconds and then plug the unit back into the wall
4. Switch the unit back on

If this occurs repeatedly, please contact your local ghd service centre.

If your product doesn't switch on, push the yellow test button followed by the red reset button on the ground fault plug.

If in doubt, consult a qualified electrician or an approved ghd retailer, or contact ghd Professional, North America Inc. at 877-GHD-ANGEL (1-887-443-2643) for further advice.

---

## adapters

---

For use in other countries a travel adaptor may be required. A converter is not needed.

---

## manufacturer's warranty

---

All ghd electrical products are individually tested before leaving the factory. However in the unlikely event of the product proving defective due to faulty workmanship or

materials, then, at its sole discretion, ghd will repair or replace the product at no charge with an identical or equivalent product within two years from the original date of purchase. A replacement product assumes the remaining guarantee of the original product or 180 days, whichever provides longer coverage for you.



When a product is exchanged, any replacement item becomes your property and the replaced item becomes property of ghd. To claim under this warranty please visit '[ghdhair.com/us/returns](http://ghdhair.com/us/returns)' and follow the onscreen instructions to complete your return. Please ensure that you include a proof of purchase with any returned product. Therefore please ensure you keep your proof of purchase in a safe place.

This warranty only applies to genuine ghd products purchased through ghd-approved stockists, and does not cover products repaired or serviced by anyone other than ghd personnel or ghd representatives. Note that this guarantee may be invalidated where serial numbers or identification have been erased, damaged or modified. This does not affect your statutory rights.

\*If you do not have access to the internet please contact ghd Professional, North America Inc. at 877-GHD-ANGEL (1-887-443-2643).

## recycling and disposal

Your ghd electrical product is classified as 'Household Hazardous Waste', and must not be disposed of with other household or commercial waste at the end of its working life. When you have no further use for your ghd product, please dispose of it according to your local authority's recycling procedure. For more information contact your local authority or the retailer from whom you purchased the product.

### Product disposal

When you have no further use for your ghd curve, please dispose of it according to your local authority's recycling procedure. For more information, contact your local authority or the retailer from whom you purchased the product.

## compliance

All electrical products from ghd Professional North America Inc. are subjected to independent compliance testing by government and USA-approved bodies. All electrical products from ghd comply with Household Electric Personal Grooming Appliances – ANSI/UL 859. Other approvals include the EU, Australia/New Zealand and South Africa, which all comply with EN 60335-2-23.



---

## ghd Professional North America Inc.

---

877-GHD-ANGEL (443-2643)

**ghd Professional North America Inc.**

310 N. Westlake Blvd. #140,  
Westlake Village,  
CA 91362

[ghdhair.com](http://ghdhair.com)<sup>TM</sup>

ghd and ghd are registered trademarks of  
Jemella Group Limited.

© Jemella Group Limited 2014.

Designed in Cambridge, UK. Made in China.

Patent pending.



# instrucciones importantes de seguridad

Cuando se utilizan aparatos eléctricos, sobre todo en presencia de niños, deben respetarse las siguientes precauciones básicas de seguridad:

## LEA TODAS LAS INSTRUCCIONES ANTES DE UTILIZAR EL APARATO

### PELIGRO: MANTENERLO ALEJADO DEL AGUA

**PELIGRO:** como en la mayoría de aparatos eléctricos, los componentes permanecen eléctricamente activos incluso cuando se apagan.

### PELIGRO: ESTE PRODUCTO NO DEBE SER UTILIZADO POR NIÑOS

**Para reducir el riesgo de muerte por descarga eléctrica:**



1. Desenchúfelo siempre inmediatamente después de utilizarlo.
2. No lo utilice mientras toma un baño o una ducha.
3. No lo coloque ni lo guarde en un lugar desde el que pueda caer a la bañera, el lavabo, o cualquier otro lugar que pudiera contener agua.
4. No lo moje ni lo sumerja en agua ni en ningún otro líquido.
5. Si el aparato cae al agua, desenchúfelo inmediatamente y no se moje.

### ADVERTENCIA – Para reducir el riesgo de sufrir quemaduras, electrocución, incendios u otras heridas personales:

1. El aparato nunca debe dejarse sin supervisión mientras permanece enchufado.
2. Este producto no debe ser utilizado por niños. La supervisión deberá ser más cuidadosa todavía cuando el aparato está siendo utilizado o esté cerca de un niño/a o una persona discapacitada.
3. El aparato sólo deberá utilizarse para su uso previsto, tal como se describe en este manual. No deberán utilizarse accesorios que no estén recomendados por el fabricante.
4. No lo utilice nunca si el cable o el enchufe están en mal estado, si no funciona correctamente, o si se ha estropeado o se ha caído al agua. En ese caso, llévelo al centro de asistencia para que lo examinen y lo reparen.
5. Mantenga el cable alejado de superficies calientes. No lo enrolle alrededor del secador.
6. No bloquee nunca las entradas y salidas de aire ni coloque el secador sobre una superficie blanda, como una cama o un sofá, ya que podrían bloquearse. Dichas entradas y salidas también deberán mantenerse libres de polvo, cabellos y pelusa.
7. Nunca deberá utilizarse durante el sueño.
8. No introduzca ningún objeto en ninguna de las entradas ni en las boquillas.
9. No lo utilice en el exterior ni en lugares donde se estén utilizando aerosoles (sprays) o donde haya poco oxígeno.
10. No utilice alargos con este aparato.
11. No lo utilice con un conversor de voltaje.
12. La ghd curve contiene componentes de alta tecnología y sensibilidad, por lo tanto, por favor asegúrese de que el producto no se caiga. No introduzca objetos extraños, pinte, queme o desmonte la ghd curve. No utilice la ghd curve si se ha dañado - por ejemplo, si el cuerpo de la styler está agrietada. Si el producto está dañado por mal uso o abuso, esto no será cubierto por su garantía. Esto no afecta sus derechos legales.

### **ADVERTENCIA - superficies calientes**

Las placas de la ghd curve se calientan para conseguir un peinado eficaz.

#### **Para reducir el riesgo de quemaduras:**

1. NUNCA toque las placas de la styler cuando estén calientes.
2. No permitas que las placas calientes toquen telas, materiales de plástico u otras superficies sensibles al calor.
3. Cuando no esté utilizando la ghd curve, colóquela sobre una superficie resistente al calor, como la alfombrilla del estuche térmico ghd.
4. Cuando termine de utilizar la ghd curve, apague siempre el aparato y desenchúfelo de la red eléctrica.
5. Deje que la ghd curve se enfríe antes de guardarla.
6. Después del uso de la ghd curve sus placas permanecen calientes. Para un enfriamiento seguro, proteja las placas con su protector de placas.
7. Una vez que la ghd curve se haya enfriado, doble el cable de la misma manera que estaba cuando la sacó de su embalaje por primera vez. No lo enrolle en la mano o en el cuerpo de la ghd curve, ya que esto puede hacer que el cable se averíe de forma prematura.

### **Mantenimiento de aparatos con doble aislamiento**

Su producto ghd es un aparato eléctrico con doble aislamiento (clase II) y no deberá conectarse a una toma de tierra.



En los aparatos con doble aislamiento, como su propio nombre indica, se utilizan dos sistemas de aislamiento en lugar de la toma de tierra por lo que no hace falta toma de tierra ni tampoco añadirla al dispositivo. Las tareas de mantenimiento de un aparato con doble aislamiento requieren mucho cuidado y un elevado conocimiento del sistema y deberán llevarlas a cabo personal cualificado solamente. Las piezas de recambio de los aparatos con doble aislamiento deberán ser idénticas a las piezas originales.

Los aparatos con doble aislamiento van marcados con las palabras "DOBLE AISLAMIENTO" y con el símbolo de un cuadrado dentro de otro.

# conserve estas instrucciones

### **Instrucciones de funcionamiento**

Este producto cuenta con un enchufe polarizado (una pata es más ancha que la otra). Como medida de seguridad, el enchufe sólo entra en una dirección en una clavija polarizada. Si cuando lo va a enchufar no entra, inténtelo al revés. Si sigue sin entrar, póngase en contacto con un electricista cualificado. No intente esquivar esta medida de seguridad.

### **Interruptor De Fuga De Corriente**

Su secador dispone de un interruptor de fuga de corriente. Se trata de una protección que hace que no funcione en determinadas condiciones anormales (si se sumerge, por ejemplo). Para garantizar que el interruptor de fuga de corriente funciona. Correctamente, puede llevarse a cabo el siguiente test:

1. Enchufe el secador y pulse el botón de test amarillo.
2. Es posible que el secador deje de funcionar.
3. Para reiniciarlo, pulse el botón de reinicio rojo.

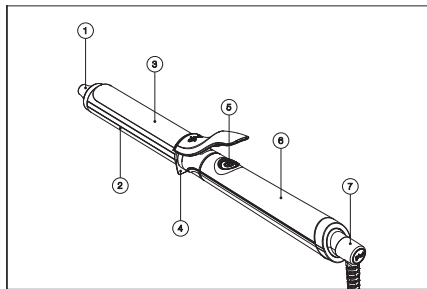
ES

Si el interruptor de fuga de corriente no funciona o si empieza a funcionar mal, póngase en contacto con ghd Professional, North America Inc., al teléfono 877-GHD-ANGEL (1-887-443-2643) para recibir más información.

**Cada vez que utilice el secador deberá comprobar que el interruptor de fuga de corriente funciona correctamente.**

## funcionamiento

Asegúrese de que el cabello esté completamente seco antes de usar la ghd curve.



- |                                 |                         |
|---------------------------------|-------------------------|
| ① Punta fría                    | ⑤ Interruptor ON / OFF  |
| ② Barril                        | ⑥ Asa                   |
| ③ Solapa (tenacilla únicamente) | ⑦ Cable de alimentación |
| ④ Soporte                       |                         |

1. Enchufe la ghd curve a la red eléctrica. Verá un destello de luz momentáneo durante menos de 1 segundo en el interruptor y el panel interior para indicar que está conectada a la red eléctrica. El

2. Para calentar la ghd curve, mantenga presionado el botón ON/OFF durante al menos 1 segundo. La ghd curve emitirá un corto pitido seguido de una luz que parpadeará cada 2 segundos para indicar que la styler se está calentando.
3. **IMPORTANTE:** la ghd curve llega a la temperatura deseada en cuestión de segundos, por lo que ¡no toque las placas de la styler! Cuando la ghd curve ha alcanzado la temperatura idónea, sonará una serie de pitidos cortos y la luz del interruptor permanecerá encendida de manera continuada para indicar que está lista para ser utilizada.
4. Cuando haya terminado su sesión de peinado, presione y mantenga presionado el botón ON / OFF durante más de 2 segundos para apagar la styler. Una melodía indicará que se ha apagado la ghd curve. Una vez apagada lo mejor es desconectar la ghd curve del enchufe y deje que se enfríe en un lugar seguro. Para un enfriamiento seguro cubra las placas con el protector de placas.

**ADVERTENCIA: incluso con el protector de placas colocado, las placas de la styler están todavía muy calientes, no toque las placas ni permita que lo hagan los niños o personas con discapacidades físicas, sensoriales o**

mentales sin experiencia y desconocimiento de la styler mientras se está enfriando.

La ghd curve cuenta con las siguientes características de seguridad:

- 1. Modo de suspensión:** si la ghd curve no se utiliza durante 30 minutos ó hubiese pequeñas fluctuaciones en la corriente, la styler se apagará como medida de seguridad. Los calentadores o placas comenzarán a enfriarse. Y las luces de la ghd curve también se apagarán.  
**a.** Tenga en cuenta que, aunque los calentadores estén apagados, la styler ghd aún estará conectada a la red eléctrica; por lo que debería apagarse y desenchufarse lo antes posible.  
**b.** Para encender de nuevo la ghd curve desde el modo de suspensión, basta con mantener pulsado el botón ON/OFF durante más de 1 segundo.
- 2. A prueba de fallos:** en el caso de que se produzca un error en el sistema de control, por seguridad, las placas de la ghd curve se apagarán, emitirá pitidos rápidos y las luces se encenderán cada 10 segundos. Desconecte la ghd curve de la red eléctrica y vuelva a encenderla. Si la styler no vuelve a encenderse, contacte con el Servicio de Atención al Cliente de ghd para su consejo.

## instrucciones de mantenimiento del usuario

### Limpiar el la ghd curve

1. Desconecta la ghd curve de la principal fuente de electricidad.
2. Deje siempre enfriar completamente la ghd curve antes de intentar limpiarla.
3. No lo sumerja nunca en agua.
4. Limpie la parte exterior del ghd curve con un paño húmedo. No utilice detergentes abrasivos ni productos corrosivos.

### Almacenamiento

1. Deje que el la ghd curve se enfríe completamente antes de guardarlo.
2. Cuando se haya enfriado, recoja el cable de alimentación tal como venía embalado. No enrolle el cable alrededor del la ghd curve ya que se tensiona y hará que falle antes de tiempo.

### Fallos en el funcionamiento

Tu styler ghd es un producto de elevado rendimiento; si durante el uso el aparato se ve sometido a fuertes fluctuaciones de corriente, puede entrar en modo de seguridad para evitar posibles daños. Por tanto, en el caso poco probable de que tu dispositivo ghd no funcione correctamente, comprueba que tanto el aparato como la toma de corriente estén en posición de encendido y que haya corriente eléctrica.

Si el producto deja de funcionar y empieza a parpadear la luz roja de fallo, sigue estos pasos:

1. Apaga el interruptor de la unidad
2. Desenchufa la unidad de la toma de corriente
3. Espera 5 segundos y vuelve a enchufar la unidad en la toma de corriente de la pared
4. Vuelve a encender el interruptor de la unidad

Si el problema se produce de forma repetida, ponte en contacto con tu centro de servicio ghd.

Si el alisador no se enciende, presione el botón amarillo de prueba seguido del botón de reinicio rojo del enchufe de conexión a tierra.

En caso de duda, consulte con un electricista cualificado o un vendedor autorizado ghd, o contacte con ghd Professional, North America Inc. en el 877-GHD-ANGEL (1-887-443-2643).

## adaptores

Es posible que necesite un adaptador de viaje para utilizar este aparato en otros países. No necesita transformador.

## garantía del fabricante

Todos los aparatos eléctricos ghd son sometidos a pruebas individuales antes de salir de fábrica. No obstante, en el caso poco probable de que la ghd curve presente un fallo debido a defecto de fabricación o materiales, dentro de los dos años posteriores a la

fecha de compra, ghd España a su exclusivo criterio y con sujeción a los términos de esta garantía, se compromete a reparar o sustituir la styler sin costo alguno por un producto idéntico o equivalente. Un producto de reemplazo asume la garantía restante del producto original o 180 días, lo que proporciona una mayor cobertura para usted. Cuando un producto se intercambia, cualquier elemento de sustitución pasará a ser propiedad de ghd.

Para acogerse a esta garantía, le recomendamos que visite [ghdhair.com/us/returns](http://ghdhair.com/us/returns) para informarse de como debe hacer su devolución. Por favor, asegúrese que incluye el comprobante de compra y esta garantía con cualquier producto devuelto.



Por lo tanto asegúrese de que usted conserva el justificante de compra en un lugar seguro. Esta garantía sólo es válida para los productos originales ghd adquiridos a través de distribuidores autorizados por ghd, y no cubre productos que hayan sido reparados ó revisados por cualquiera que no sea el Servicio Técnico Oficial de ghd. Tenga en cuenta que esta garantía puede ser anulada cuando los números de serie o de

identificación se han borrado, dañado ó modificado. Esto no afecta a sus derechos legales.

\*Si no tiene conexión a internet, por favor contacte con ghd Professional, North America Inc. en el 877-GHD-ANGEL (1-887-443-2643).

## reciclaje y eliminacion

Su herramienta eléctrica ghd está clasificada como "desecho doméstico peligroso", y al final de su vida útil, no debe ser desechado junto con otro tipo de productos o basuras domésticas. Cuando su ghd deje de tener funcionamiento, por favor, proceda de acuerdo al protocolo de reciclaje de su zona. Para más información contacte con las autoridades locales o el vendedor autorizado donde adquirió el producto.

### Eliminación del producto

Cuando ya no tenga intención de utilizar su alisador ghd, elimínelo de conformidad con los procedimientos de reciclaje de su municipio. Si precisa más información, póngase en contacto con su Ayuntamiento o con el establecimiento donde adquirió el producto.

## cumplimiento

Todos los productos eléctricos de ghd Professional North America Inc. son sometidos a pruebas de conformidad independientes del gobierno y de organismos autorizados de Estados Unidos. Todos los aparatos eléctricos de ghd cumplen la normativa de Household Electrical Personal Grooming Appliance (Aparatos Eléctricos Domésticos de Aseo Personal) - ANSI/UL 859 y llevan la marca TUV. Otras certificaciones que incorporan EU, Australia/Nueva Zelanda y Sudáfrica, cumplen la normativa EN 60335-2-23 y llevan la marca CE.

## ghd Professional North America Inc.

877-GHD-ANGEL (443-2643)

### **ghd Professional North America Inc.**

310 N. Westlake Blvd. #140,  
Westlake Village,  
CA 91362

[ghdhair.com](http://ghdhair.com)<sup>TM</sup>

ghd y  son marcas registradas de  
Jemella Group Limited.

© Jemella Group Limited 2014.

Diseñado en Cambridge, Reino Unido. Fabricado en China.

Pendiente de patente.



# instructions de sécurité importantes

Ors de l'utilisation d'un appareil électrique, notamment en présence d'enfants, il convient de toujours prendre les précautions de sécurité fondamentales, y compris les suivantes :

## VEUILLEZ LIRE TOUTES LES INSTRUCTIONS AVANT UTILISATION

### **DANGER : TENEZ L'APPAREIL À L'ÉCART DE L'EAU**

**DANGER:** Comme pour la plupart des appareils électriques, les composants électriques sont sous tension même lorsque l'interrupteur est en position off.

### **ATTENTION DANGER : CET APPAREIL NE DOIT PAS ÊTRE UTILISÉ PAR DES ENFANTS**



### **Afin de réduire le risque de mort par électrocution :**

1. Débranchez toujours l'appareil après utilisation.
2. Ne l'utilisez pas en prenant un bain ou une douche.
3. Ne placez pas ou ne rangez pas l'appareil là où il risque de tomber ou d'être tiré dans une baignoire ou un lavabo où à tout autre endroit pouvant contenir de l'eau.
4. Ne mettez pas ou ne laissez pas tomber l'appareil dans l'eau ou tout autre liquide.
5. Si l'appareil tombe dans l'eau, débranchez-le immédiatement. Ne plongez pas la main dans l'eau pour le récupérer.

### **AVERTISSEMENT – Afin de réduire le risque de brûlure, d'électrocution, d'incendie ou de blessures corporelles :**

1. Un appareil ne doit jamais être laissé sans surveillance lorsqu'il est branché.
  2. Cet appareil ne doit pas être utilisé par des enfants. Une étroite surveillance s'impose si cet appareil est utilisé par, sur ou à proximité d'enfants ou de personnes présentant des handicaps.
  3. N'utilisez cet appareil que pour son usage prévu décrit dans ce manuel. N'utilisez pas d'accessoires non recommandés par le fabricant. manual.
  4. N'utilisez jamais cet appareil si son cordon ou sa
5. Tenez le cordon d'alimentation à l'écart de surfaces chaudes. N'enroulez pas le cordon autour de l'appareil.
  6. Ne bloquez jamais les aérations de l'appareil et ne le placez jamais sur une surface non dure comme un lit ou un canapé où les aérations risquent d'être bloquées. Les aérations doivent rester dégagées, sans accumulation de peluches, de cheveux et autres composants de ce genre.
  7. N'utilisez jamais l'appareil en dormant.
  8. Ne laissez jamais tomber ou n'insérez jamais d'objet dans une ouverture ou un tuyau.
  9. N'utilisez pas l'appareil dehors ou à proximité de produits aérosols qui sont pulvérisés ou d'oxygène qui est administré.
  10. N'utilisez pas un câble de rallonge avec cet appareil.
  11. N'utilisez pas l'appareil avec un convertisseur de tension.
  12. Le ghd curve contient des composants high-tech fragiles, faites donc en sorte que l'appareil ne tombe pas. N'introduisez pas d'objets étrangers,

fiche d'alimentation est endommagé(e), s'il ne fonctionne pas correctement, ou s'il est tombé dans l'eau ou est endommagé. Retournez l'appareil au service après-vente pour inspection et réparation.



ne peignez pas, ne brûlez pas et ne démontez pas votre ghd curve. N'utilisez pas votre ghd curve s'il est endommagé – par exemple si le corps du styler est fissuré. Si le produit est endommagé à cause d'une utilisation inadaptée ou par un mauvais traitement, il ne sera pas couvert par votre garantie. Ceci n'affecte en aucun cas les droits statutaires dont vous bénéficiez en vertu des textes applicables.

#### **ATTENTION: surfaces chaudes**

Les plaques chauffantes du ghd curve atteignent une température élevée pour un coiffage efficace.

#### **Pour réduire les risques de brûlures :**

1. Ne touchez JAMAIS les plaques chaudes du styler.
2. Ne mettez pas les plaques chaudes en contact avec les tissus, les matériaux en plastique ou les surfaces sensibles à la chaleur.
3. Entre deux prises en main, posez toujours le ghd curve sur une surface non sensible à la chaleur, telle que le tapis thermorésistant ghd.
4. Une fois le coiffage terminé, éteignez toujours le ghd curve et débranchez-le.
5. Laissez le ghd curve refroidir avant de le ranger.
6. Après le coiffage les plaques restent chaudes – pour que celles-ci refroidissent en toute sécurité couvrez-

les à l'aide de leur étui de protection.

7. Quand le ghd curve est froid, pliez le cordon d'alimentation comme il l'était dans son emballage d'origine. Ne l'enroulez pas autour de votre main ou autour du ghd curve car cela peut conduire à une défaillance précoce du cordon.

#### **Réparation des appareils à double isolation**

Votre produit ghd est un appareil électrique à double isolation (classe II) et ne doit pas être branché sur une prise à la terre.



Les appareils à double isolation sont équipés de deux systèmes d'isolation au lieu d'une mise à la terre. Aucun système de mise à la terre n'est fourni sur un appareil à double isolation, et aucun système de mise à la terre ne doit être ajouté à l'appareil. Toute réparation d'un appareil à double isolation doit être effectuée avec précaution et requiert une bonne connaissance du système, et doit être réalisée par un personnel de maintenance qualifié. Les pièces de rechange d'un appareil à double isolation doivent être identiques aux pièces remplacées. Tout appareil à double isolation porte la notification « DOUBLE ISOLATION ». Le symbole (un carré dans un autre carré) peut également figurer sur l'appareil.

## **conservez ces instructions**

#### **Mode d'emploi**

Cet appareil est équipé d'une fiche polarisée (une lame est plus large que l'autre). Cette fiche est un dispositif de sécurité qui se branche sur une prise polarisée dans un seul sens. Si la fiche ne rentre pas entièrement dans la prise, retournez la fiche. Si le problème persiste, contactez un électricien qualifié. Ne tentez pas d'annuler ce dispositif de sécurité.

#### **Disjoncteur de sécurité/interrupteur de circuit**

Votre appareil est équipé d'un disjoncteur de sécurité, un interrupteur de circuit rendant l'appareil inutilisable dans des conditions d'utilisation anormales (comme l'immersion de l'appareil). Réalisez le test suivant pour vous assurer que la prise du disjoncteur fonctionne correctement :

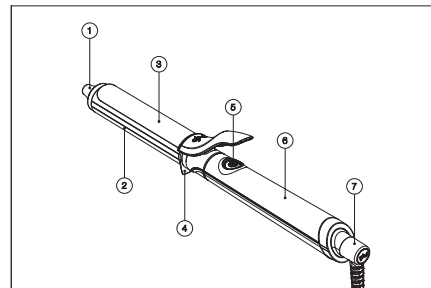
1. Branchez votre appareil et appuyez sur le bouton de test jaune situé sur la prise.
2. Cela interrompra le fonctionnement de l'appareil.
3. Pour remettre l'appareil à zéro, appuyez sur le bouton rouge de remise à zéro.

Si le dispositif de protection de disjoncteur ne fonctionne plus ou montre des signes de dysfonctionnement, veuillez contacter ghd Professional, North America Inc. à 877-GHD-ANGEL (1-887-443-2643), qui sauront vous conseiller.

**À chaque utilisation de votre appareil, vous devez vous assurer que le dispositif de protection de disjoncteur fonctionne correctement.**

## utilisation

Vos cheveux doivent être complètement secs avant d'utiliser le ghd curve.



- |                                       |                         |
|---------------------------------------|-------------------------|
| ① Extrémité anti-chaueur              | ⑤ Bouton ON/OFF         |
| ② Corps                               | ⑥ Poignée               |
| ③ Levier (boucleur "tong" uniquement) | ⑦ Cordon d'alimentation |
| ④ Socle                               |                         |

1. Branchez le ghd curve. Le ghd curve émettra alors un signal lumineux, durant moins d'une seconde, au niveau de l'interrupteur et de l'intérieur du styler, pour indiquer qu'il est

- sur secteur.
2. Pour que le ghd curve commence à chauffer, maintenez le bouton « ON/OFF » enfoncé pendant au moins une seconde pour l'allumer. Le ghd curve émettra alors un bref bip, puis un signal lumineux clignotera lentement toutes les deux secondes pour indiquer que le styler est en chauffe.
  3. **IMPORTANT:** le ghd curve atteint la température requise en quelques secondes, ne touchez pas les plaques ! Une fois que le ghd curve a atteint la température adéquate pour le coiffage, une mélodie composée de plusieurs bips sonores courts vous l'indiquera. Les voyants lumineux du ghd curve resteront ensuite allumés, au niveau de l'interrupteur et de l'intérieur du styler, pour indiquer que celui-ci est à température et prêt à l'emploi.
  4. Une fois votre coiffage terminé, maintenez le bouton « ON/OFF » enfoncé pendant plus de deux secondes pour l'éteindre. Un signal sonore sera alors émis pour indiquer que le ghd curve a bien été éteint. Une fois éteint, il convient de débrancher le ghd curve et de le laisser refroidir dans un lieu sûr. Pour ce faire en toute sécurité, couvrez les plaques à l'aide de l'étui de protection.

**ATTENTION : Même avec l'étui de protection, les plaques du styler sont toujours très chaudes, ne touchez pas les plaques et n'autorisez pas des enfants ou des personnes présentant des handicaps physiques, sensoriels ou mentaux, ou manquant d'expérience et de connaissances à toucher le styler alors qu'il est en train de refroidir.**

**Le ghd curve est doté des fonctionnalités de sécurité suivantes :**

1. **Mode veille:** Si le ghd curve est allumé et qu'il n'est pas utilisé durant plus de 30 minutes, un dispositif de sécurité l'éteindra automatiquement. Les plaques du styler refroidiront alors. Les voyants lumineux du ghd curve s'éteindront également.  
**a.** N'oubliez pas que même si le ghd curve est éteint, il est toujours branché sur secteur. Il est important de le débrancher dès que possible.  
**b.** Pour redémarrer le ghd curve alors qu'il est en train de refroidir, il suffit de l'allumer en maintenant le bouton « ON/OFF » enfoncé pendant plus d'une seconde.
2. **Sécurité:** Dans le cas exceptionnel d'une erreur du système de contrôle, pour des raisons de sécurité, les résistances se mettront hors-circuit, le ghd curve

émettra alors des bips rapprochés et les voyants lumineux s'allumeront toutes les 10 secondes. Dans ce cas, éteignez le ghd curve et redémarrez-le. Si le styler ne s'allume pas, contactez notre Service clients qui saura vous conseiller.

---

## consignes d'entretien par l'utilisateur

---

### Nettoyage de votre ghd curve

1. Débranchez le ghd curve de la prise de courant.
2. Laissez toujours le ghd curve refroidir avant de le nettoyer.
3. N'immergez jamais l'appareil dans l'eau.
4. Essuyez l'extérieur du ghd curve à l'aide d'un chiffon humide. N'utilisez pas de détergents abrasifs ou corrosifs ni d'objet tranchant.

### Rangement

1. Laissez toujours Le ghd curve refroidir avant de le ranger.

2. Quand Le ghd curve est froid, pliez le cordon d'alimentation comme il l'était dans son emballage d'origine. N'enroulez pas le cordon autour du ghd curve car cela risque de l'abîmer et peut provoquer une défaillance de fonctionnement.

### Défaut de fonctionnement

Votre appareil ghd styling est un produit haute performance. Si la puissance secteur fluctue de manière importante pendant son utilisation, il peut passer en mode sécurité par mesure de protection. Dans le cas peu probable où votre appareil ghd ne fonctionnerait pas correctement, vérifiez que l'appareil et l'alimentation secteur sont mis en marche, et que l'électricité n'est pas coupée.

Si votre appareil cesse de fonctionner et que le voyant rouge d'avertissement clignote, suivez la procédure ci-dessous :

1. Arrêtez l'appareil
2. Débranchez l'appareil au secteur
3. Attendez 5 secondes puis rebranchez l'appareil au secteur
4. Remettez l'appareil en route

Si ce problème se reproduit souvent, contactez votre centre de service ghd local.

Si le fer coiffant ne s'allume pas, appuyez sur le bouton de test jaune suivi du bouton de remise à zéro rouge sur la prise contre les défauts de terre.

En cas de doute, veuillez consulter un électricien qualifié, un distributeur ghd agréé ou n'hésitez pas à contacter ghd Professionnel North America Inc. au 877-GHD-ANGEL (1-887-443-2643).

---

## adaptateurs

---

Pour une utilisation dans d'autres pays, un adaptateur de voyage peut s'avérer nécessaire. Un transformateur n'est pas nécessaire.

---

## garantie du fabricant

---

Tous les produits électriques ghd sont testés individuellement avant de quitter l'usine. Néanmoins, dans le cas exceptionnel où votre produit ghd présenterait un défaut de fabrication ou de main-

d'œuvre, à sa seule initiative et en fonction des termes de cette garantie, ghd s'engage à remplacer votre produit gracieusement par un produit identique ou équivalent, dans les deux années suivant sa date d'achat. Un produit de remplacement induit que la garantie est égale à la garantie résiduelle du produit original ou à 180 jours, en fonction de ce qui est le plus avantageux pour l'utilisateur. Quand un produit est échangé, le produit de remplacement devient votre propriété et le produit remplacé devient propriété de ghd.

Pour retourner un produit sous garantie, il doit être renvoyé au revendeur selon les modalités stipulées sur notre site Internet où vous pourrez suivre les instructions de retour : '[ghd.com/us/returns](http://ghd.com/us/returns)'  
Merci de toujours accompagner votre produit d'une preuve d'achat. Conservez votre preuve d'achat en lieu sûr.

La garantie concerne uniquement les produits ghd authentiques achetés chez des distributeurs ghd agréés. Elle ne couvre pas les produits réparés ou entretenus par des personnes autres que le personnel ou les représentants de ghd.



Il convient de noter que cette garantie peut être annulée lorsque les numéros de série ou d'identification ont été effacés, endommagés ou modifiés. Ceci n'affecte en aucun cas les droits statutaires dont vous bénéficiez en vertu des textes applicables.

\*Si vous n'avez pas d'accès à Internet, merci de bien vouloir contacter ghd professionnel North America Inc. au 877-GHD-ANGEL (1-887-443-2643).

---

## recyclage et mise au rebut

---

Votre appareil électrique ghd est classé comme « équipement électrique ou électronique » et ne doit pas être jeté avec d'autres déchets ménagers ou professionnels à la fin de sa vie utile. Quand votre appareil électrique ghd n'est plus utilisable, merci de bien vouloir le jeter conformément aux procédures de recyclage en vigueur. Pour de plus amples informations, contactez les autorités locales compétentes ou le revendeur auprès duquel vous avez acheté ce produit.

### Élimination du produit

Si vous souhaitez vous débarrasser de votre fer coiffant ghd, veuillez le jeter conformément à la procédure de recyclage de votre autorité locale. Pour plus d'informations, contactez votre autorité locale ou le revendeur chez qui vous avez acheté le produit.

## conformité

Tous les produits électriques de ghd Professionnel North America Inc. sont testés individuellement par des organismes gouvernementaux américains. Tous les produits électriques ghd sont conformes aux normes des appareils électriques ménagers - ANSI/UL 859 et portent le sigle TUV. Les autres homologations comme celles de l'U.E, Australie/Nouvelle Zélande et Afrique du Sud répondent toutes aux normes EN 60335-2-23 et portent le sigle CE.

## ghd Professional North America Inc.

877-GHD-ANGEL (443-2643)

### ghd Professional North America Inc.

310 N. Westlake Blvd. #140,  
Westlake Village,  
CA 91362

[ghdhair.com](http://ghdhair.com)<sup>TM</sup>

ghd et ghd sont des marques déposées  
de Jemella Group Limited.

© Jemella Group Limited 2014.

Développé à Cambridge, Royaume-Uni.  
Fabriqué en Chine.

Brevet en cours d'homologation.







