



Ovi

evaporative humidifier

user manual | Bedienungsanleitung | gebruikershandleiding
manuel d'utilisation | Instrukcja obsługi

DUUX®

Thank you for choosing Duux.

We're so glad you decided to read the instructions to your new Duux air humidifier! Many users casually dismiss instructions and seek to figure it out on their own. But studies show that people who read instructions will get up to speed more quickly and efficiently than those who poke around with trial and error.

At Duux we believe in the importance of a comfortable and healthy living environment. Enhancing your well-being by designing appealing, functional and effective products is the passion that drives us every day. With our range of innovative air treatment products we aim to provide you the best possible indoor air quality.

Don't let his good looks distract you from its quality. Ovi provides the best of both worlds: great style with high performance humidification. Equipped with a 360° water filter, it removes calcium particles from the water and protects your humidifier against hard water stains to extend its lifespan. The humidifier can be filled from the top so you won't have to walk your tank to the sink every time you need to refill. Additional features such as adjustable mist output control, refill indicator warning and auto shut down provide you with optimal convenience for everyday use. And for those who love wellness: Ovi can be used with your favorite essential oil!

Read this manual carefully to get the most out of your Ovi humidifier.

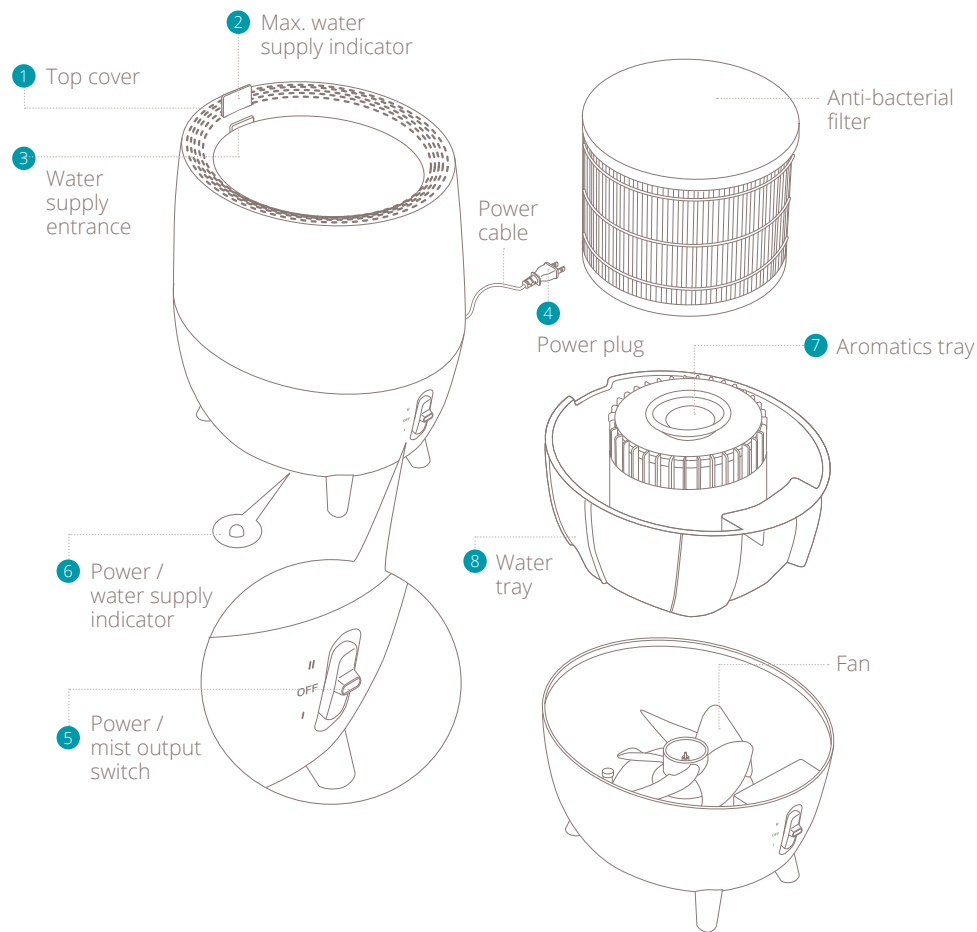


Table of contents

1. Product overview	6
2. Installation & use	7
3. Functions	12
4. Maintenance	13
5. Technical specifications	16
6. FAQ	17



1. Product overview



2. Installation and use

EN

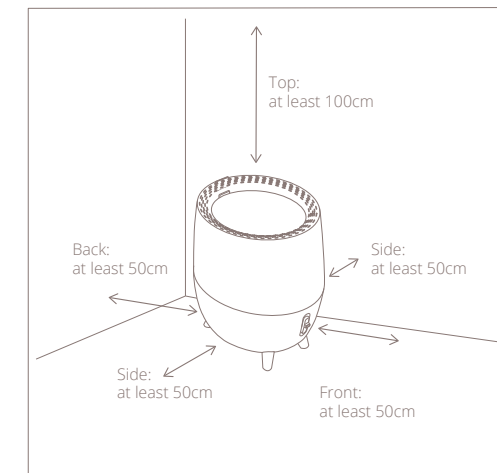
Note: Please take notice of below instructions and the separately included warning sheet before using the product.

Installation

- Please do not set up in a place where humidity directly hits curtains, furniture, indoor plants or doors. It can cause stains and deformation.
- Please place on a horizontal and stable surface, otherwise the might be a risk of water spilling.
- Please do not set up in a place where only children are present such as children's rooms. It can lead to injury or breakdown if the device is knocked over or climbed on.
- Please do not place anywhere where items may fall from above. It can lead to ignition or a breakdown.
- Please do not set up near devices that are not compatible with water such as PCs or smartphones. It can cause ignition or a breakdown.
- Please do not use in any surrounding that could lead to the water in the water tray or in the device to freeze. However, if the water in the water tray or the device is frozen please do not operate the device until the ice has thawed. It can cause ignition or a breakdown.

Placement

Please place away from walls, windows and furniture.



- Even when it is placed at a sufficient distance from walls or furniture, if it is used in the same place for a long period of time, it can become dirty with scale. We recommend regular cleaning. Please consult chapter 4 for maintenance instructions.
- Please avoid places with direct sunlight. There is a risk that the device discolors.



- If there is interference with TV, radio or other electrical devices, please move the device.
- When moving the device please move it with the base of the device held securely
- The device does not have an automatic humidity adjustment feature. Wet floors and condensation can form easily in rooms with lower temperatures or high levels of humidity.
- Adjust the level of humidity with the mist button, with adequate consideration of the space the device is located in, and by either raising the room temperature or turning off the device.

Filling the water tank

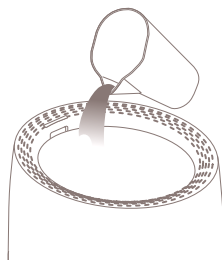
⚠ **Note:** Please check that the power is off before removing the water tank from the device.

- 1 Pour water in from the top, placed in a watering can.

⚠ **Attention:** Please slowly pour in the water from a container as close to the top surface as possible. If water is poured in from a high position or fast, water can leak inside the device and cause a breakdown.

⚠ **Attention:** Please supply water by putting water in a watering can. If water is supplied directly from a tap, the flow of water can be too strong, which can lead to water leaking inside the device and lead to a breakdown.

⚠ **Attention:** Please supply water at the place where you plan to use the device. If the device is moved after the water has been supplied, water can spill, causing water to enter the inside of the device leading to a breakdown.

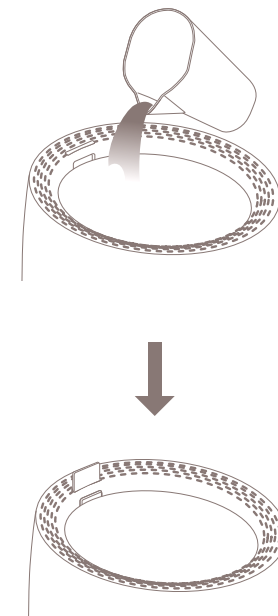


- 2 Stop the water supply if the water supply entrance is closed with the water supply stop indicator.

⚠ **Attention:** If water continues to be supplied after the water supply entrance is closed by the water supply stop indicator, water can spill over the top, enter the device and can cause a breakdown.

- 3 Supply water if power / water supply indicator flashes red.

⚠ **Note:** Even if the water supply stop indicator disappears, there is still water left in the water tray. Use can be continued until the power / water supply indicator lamp flashes red. Please supply water once the power / water supply indicator starts to flash red.





Connecting the product

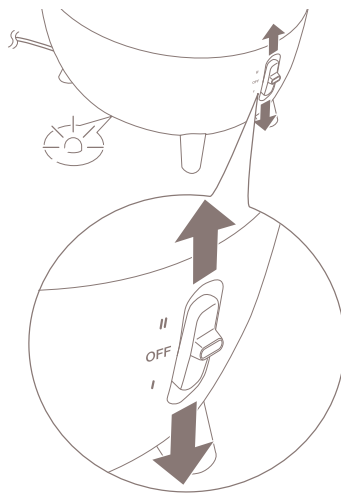
- 1 Put the power plug into a wall outlet.

⚠ Caution:

- Do not plug in the device or pull plug out of the power supply with wet hands or use the product.
- Thoroughly dry your hands before you use the device, in particular after pouring water in the water tank.
- Avoid connecting the device using other plugs, multi-outlet and extension cords.
- Do not use when the power cord is bundled together.

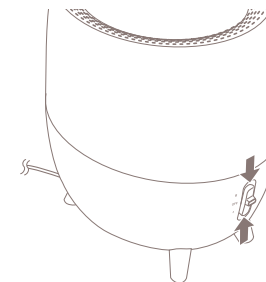


- 2 Turn the power / mist output switch to the top or bottom to switch on the power.
 - Once the power is connected, the power / supply water indicator flashes and the fan starts to rotate.
 - Once the power / humidity switch is set to II, the humidifying level is at the maximum setting. When the device is set to I, the humidity level is at the minimum setting.
 - If the power / water supply indicator flashes red when the power is connected, there is insufficient water. Please supply water (see chapter 2) via the top of the device.



- 3 Switch the power / humidifying switch to OFF after use and remove the power plug.

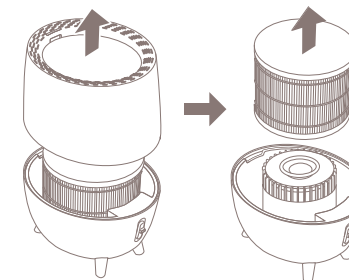
⚠ **Attention:** When removing the power plug, please always do so while holding the power plug. If you remove the power plug by pulling the power cable, it can cause the power cable to break.



Aromatherapy use

- 1 Remove the top cover and remove the filter.

⚠ **Attention:** Please lift vertically upwards when removing the top cover and the filter.

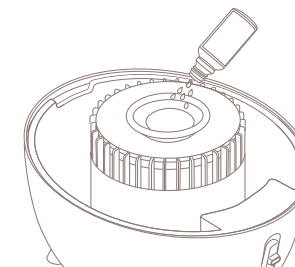


- 2 Pour a few drops the aromatic oils into the aroma tray.

⚠ **Attention:** Please do not put anything other than aromatic oils into the aromatics tray.

⚠ **Attention:** Please do not put aromatic oils in the water tray.

⚠ **Attention:** Depending on the aromatic oils used, the color in the oils can lead to a change in color of the aromatics tray. Please be advised of this.



- 3 Return the filter and replace the top cover on the device





3. Functions

Note: see product overview (chapter 1) for reference.

1 Top cover

The structure is such that the evaporated steam is spread efficiently. Please always leave this cover on during use. When removing the cover please lift it straight up.

2 Max. water supply indicator

If the supply water in the water tray exceeds a certain amount, the water supply stop indicator becomes visible. If the water tray is full, the water supply stop indicator signals this.

Note: Even if the indicator lowers and disappears, there is still water left in the water tray. It can continue to be used until the power / water supply indicator starts to flash red. Please supply water when the power / water supply indicator lamp starts to flash red.

3 Water supply entrance

Water enters the water tray within the main body from here. Once the water tray is full all of the water supply stop indicators are displayed and water supply entrance is closed.

Attention: When the water supply entrance is closed, please do not supply water forcibly. It can lead to water getting into parts other than the water tray, which can result in the breakdown of the main body.

4 Power plug

Please directly connect the plug to a power socket on the wall.

5 Power / mist output switch

If you turn the switch to the setting 'humidifier II' (maximum) or 'I' (minimum), the device switches on and starts humidifying. If the switch is turned to OFF the power turns off.

Note: As this device uses evaporation, there is no visible mist during humidification.

6 Power / water supply indicator

It lids white when the power is connected and flashes red when water needs to be supplied.

7 Aromatics tray

Use this tray to add aromatic oils.

Note: Aromatic oils are not included.

8 Water tray

Stores the water poured in through the top of the device.

4. Maintenance

Important: Be sure to remove the power plug from the outlet before carrying out maintenance.

Important: Do not soak immerse the power plug or the device in water.

Important: We recommend daily maintenance to prevent the growth of bacteria and scale inside the water tank.

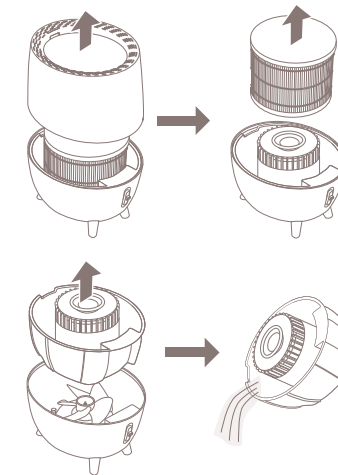
Daily maintenance

Please replace the water in the water tray with fresh tap water every day. Dirt in the water or scale can trigger the growth of bacteria or mould, leading to bad odour or damage to health.

Please follow the steps below every day after use:

- 1 Switch the power button to OFF and remove the power plug;
- 2 Remove the top cover from device and remove the filter.

Attention: When removing the top cover and the filter, please lift them straight upwards.



- 3 Remove the water tray from the device and throw away the water remaining in the water tray.

Attention: The fan may continue to rotate even when the power is switched off. Please check that it has fully stopped rotating. Please do not touch the rotating fan under any circumstances.

Attention: Please return the water tray to the device correctly. If the water tray is not correctly placed, power does not connect properly.

EN



Weekly maintenance (filter and main body)

⚠ Note: If using on consecutive days, please carry out maintenance by applying the following procedure once a week. If this type of maintenance is not conducted, scale may form on the inside and shorten the life of the equipment or cause a breakdown. Moreover, if the device continues to be used with no maintenance, it may lead to the growth of bacterial and mould/bad odour.

- 1 Switch the power button to OFF and remove the power plug;
- 2 Remove the cover and remove the filter.

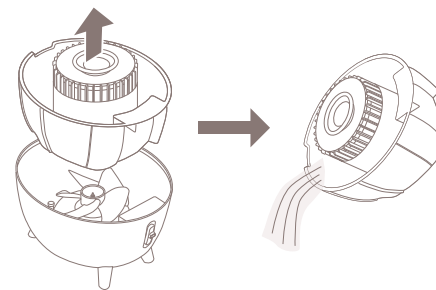
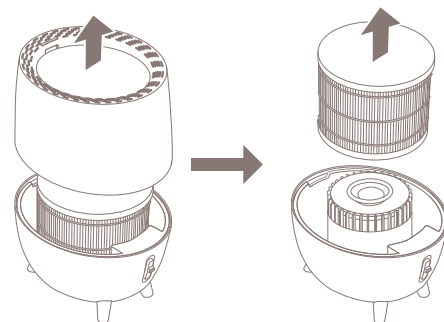
⚠ Attention: When lifting the filter and the top cover please lift them vertically upwards.

⚠ Attention: Remove the water tray from the main body and throw away the water remaining in the water tray.

⚠ Attention: Fan can continue to rotate even after the power is switched off. Please do not touch a rotating fan.

⚠ Important: Please make sure the filter has fully dried before re-use.

- 3 Add dishwashing detergent to a soft sponge for dishes and wash the water tray;
- 4 Rinse the water tray well so that no washing up liquid remains and dry the water tray thoroughly;



- 5 Immerse the removed filter in lukewarm water below 40°C and dry in a place with proper ventilation with no direct sun light after washing.
- 6 Please wet a soft cloth with lukewarm water and wring it, then wipe off the dirt on the bottom and sides of the inside of the device.

⚠ Attention: Please do not use metal scourers, melamine sponges, polishing powers, or solvents like benzene, thinner, alcohol or other.

⚠ Attention: Please ensure water cannot get onto the fan. Moreover, please do not wipe the fan – not even with a soft cloth! → if it contains water. It can cause a breakdown.

⚠ Attention: Please place the water tray correctly in the device. If the water tray is not correctly placed, the power will not connect.

EN

Maintenance before storing

Please conduct the following maintenance before storing the device:

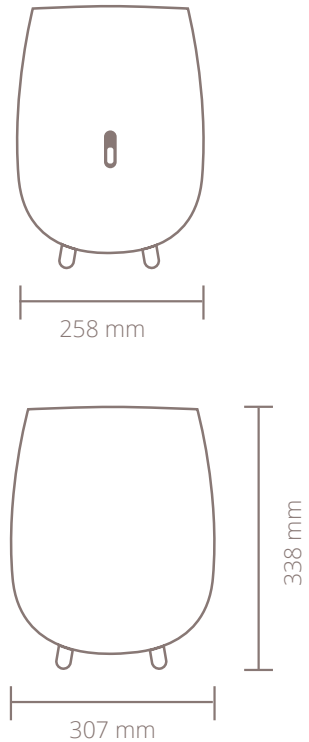
- 1 Follow the same steps under 'Weekly maintenance'
- 2 Dry each component before assembling it
- 3 Check that each component, including the filter, has fully dried. Then assemble the device and fully store it.

Spare parts

Spare parts and accessories can be requested at the point of purchase or local distributor.



5. Technical specifications



Weight:
2.8 kg



Power consumption:
6-19W



Water tank capacity:
2L



Effective area:
30m²



Mist output:
200ml/h



Max. operation time:
10h



Power cord length:
1.5m



Main materials:
ABS, PP



Model no.:
DXHU01

The appearance and specification of the device may be changed without notice.

6. FAQ

EN

Q. How often should I replace my filter?

A. Depending on the hardness and amount of calcium in your tap water, we suggest to replace your filter approx. every 3 to 6 months. After this period it will become less effective in terms of water absorbance, calcium removal and bacterial filtering.

Q. Power / water supply indicator doesn't light up.

A. - Is the power plug inserted all the way to the back of the socket?
- Is there a power cut?
- Is the water tray correctly installed in the device? If the water tray is not properly installed, the power does not connect.

Q. Power / water supply indicator flashes red.

A. Water supply is needed. Please supply water from the top of the device.

Q. Strange noises accompany the use of the product.

A. This device evaporates using a fan. Therefore, a fan is constantly rotating during the operation of this device and there are times you would hear the noise of the fan.

Q. Mist can't be seen even when the power is connected.

A. This device humidifies using evaporation. Evaporative types of humidifiers humidify without generating a mist hence there will be no visible mist.

Q. The air smells strange.

A. - Have you changed the water? Please replace with fresh water every day.
- Is the filter dirty / at the end of its lifespan? Please see 'Maintenance once a week (filter and main body)' (Chapter 4) and/or replace the filter.

Vielen Dank, dass Sie sich für Duux entschieden haben.

Super, dass Sie sich Zeit zum Lesen der Bedienungsanleitung Ihres Duux Luftbefeuchters nehmen. Viele Menschen verzichten auf das Lesen der Bedienungsanleitung und versuchen sich alleine mit einem neuen Gerät vertraut zu machen. Studien aber haben gezeigt, dass das Lesen von Bedienungsanleitungen dabei hilft, ein neues Gerät deutlich schneller und effizienter kennenzulernen als im Selbstversuch.

Wir von Duux glauben, dass gute Raumluft unser Wohlbefinden und unsere Lebensqualität verbessert. Deswegen arbeiten wir jeden Tag hochmotiviert daran, ansprechende, funktionale und effektive Produkte zu entwickeln, die Ihnen die bestmögliche Raumluft nach Hause bringen und Ihr Wohlergehen positiv beeinflussen.

Der Ovi Luftbefeuchter ist die perfekte Kombination aus stilsicherem Aussehen und höchster Qualität mit High-Performance-Verdunstungsfunktion. Ausgestattet mit einem 360°-Wasserfilter entfernt er Kalziumpartikel aus dem Wasser, schützt vor Kalkablagerungen und sorgt so für eine verlängerte Lebensdauer des Geräts. Der Luftbefeuchter lässt sich ganz bequem von oben befüllen, ohne dass das Gerät zum Ausfüllen bis zum nächsten Waschbecken getragen werden muss. Zusätzliche Highlights sind die regelbare Dampf-Austrittskontrolle, eine LED-Wasserstandswarnung sowie eine automatische Abschaltung, die Ihnen den alltäglichen Gebrauch kinderleicht und angenehm gestalten.

Wellness-Liebhaber können ihren Ovi mit ihrem Lieblings-Aromaöl befüllen und sich ihre persönliche Wellness-Oase nach Hause holen.

Lesen Sie nachstehende Anleitung sorgfältig, damit Sie Ihren Ovi Luftbefeuchter optimal nutzen können.



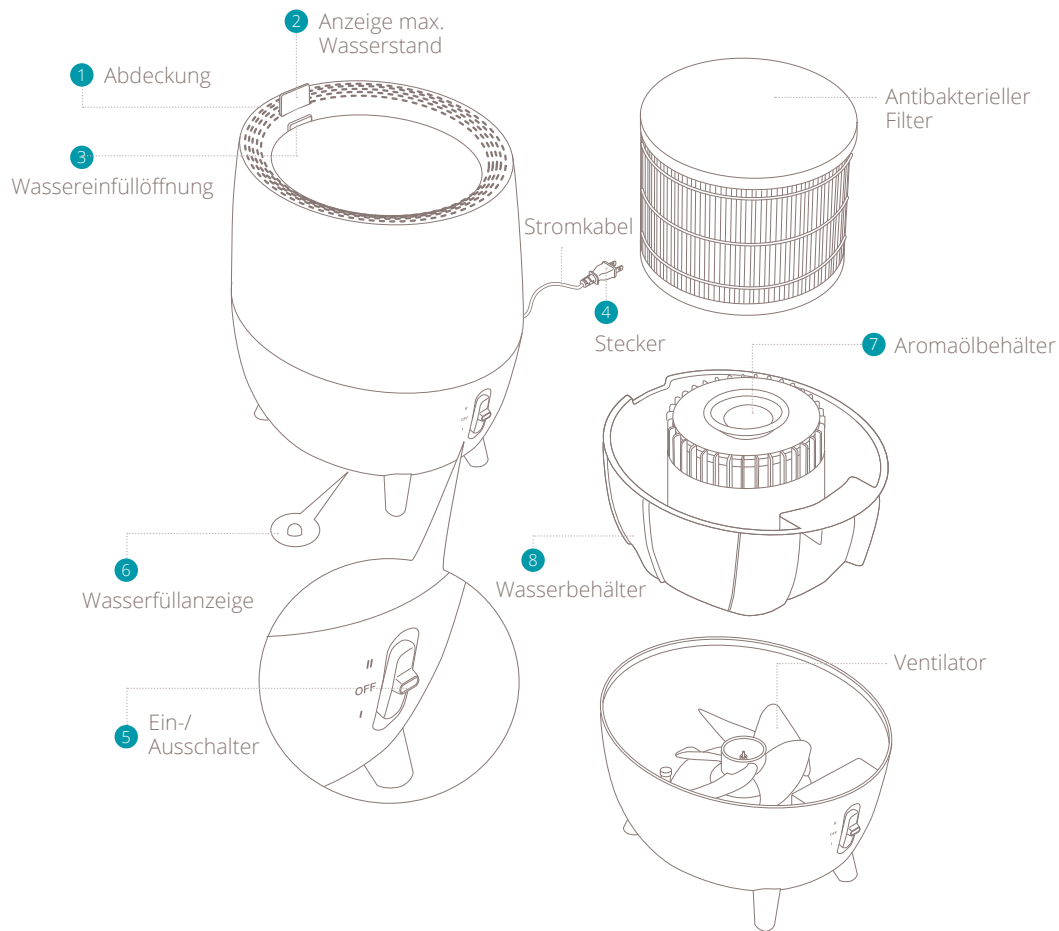
DE

Inhalt

1. Produktübersicht	20
2. Installation & Gebrauch	21
3. Funktionen	26
4. Pflegehinweise	27
5. Technische Details	30
6. FAQ	31



1. Produktübersicht



2. Installation und Nutzung

⚠ Achtung: Bitte lesen Sie vor der Nutzung des Produkts die folgenden Anweisungen und das Beiblatt aufmerksam durch.

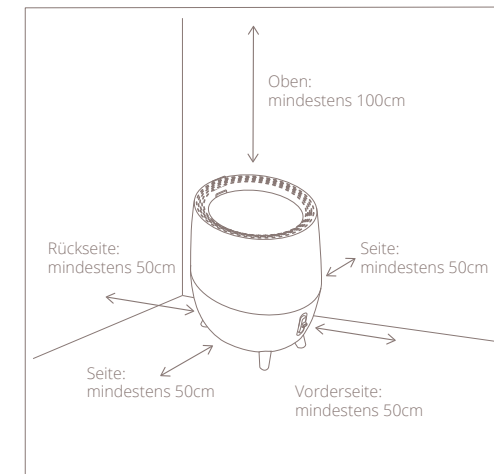
Installation

- Das Gerät bitte nicht in unmittelbarer Nähe zu Vorhängen, Möbeln, Zimmerpflanzen oder Türen aufstellen, da die entstehende Feuchtigkeit Flecken und Verformungen verursachen kann
- Bitte stellen Sie das Gerät auf eine waagerechte und stabile Oberfläche, um das Verschütten von Wasser zu vermeiden
- Das Gerät sollte nicht in einem ausschließlich von Kindern genutzten Zimmer (z. B. Kinderzimmer) aufgestellt werden. Unsachgemäße Behandlung kann zu Verletzungen oder Geräteschäden führen.
- Bitte stellen Sie Ovi nicht unter potenziell herunterfallende Gegenstände. Sie können zu Geräteschäden oder ggf. Materialentzündung führen.
- Elektronische und wasserempfindliche Geräte sollten in sicherem Abstand zum Luftbefeuchter platziert werden. Es kann zu Materialentzündung oder Geräteschäden kommen.
- Nutzen Sie das Gerät ausschließlich in frostfreier Umgebung. Falls das Wasser im Luftbefeuchter

dennoch gefrieren sollte, nehmen Sie das Gerät erst wieder in Betrieb wenn das Eis vollständig abgetaut ist. Es kann zu Geräteschäden oder Materialentzündung kommen.

Optimaler Standort

Bitte stellen Sie das Gerät in einiger Entfernung zu Wänden, Fenstern und Möbelstücken auf.



- Trotz ausreichendem Abstand zu Wänden oder Möbeln kann es bei längerfristiger Nutzung an ein und demselben Ort zu Kalkablagerungen



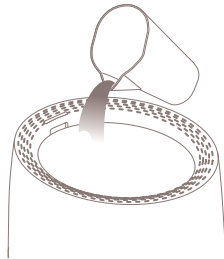
Auffüllen des Wassertanks

kommen. Wir empfehlen daher eine regelmäßige Reinigung (siehe unter 4. "Pflegehinweise").

- Vermeiden Sie direkte Sonneneinstrahlung. Das Material könnte sich dadurch verfärben.
- Stellen Sie den Luftbefeuchter nicht neben Fernseher, Radio oder anderen elektronischen Geräten auf.
- Halten Sie das Gerät beim Transport bitte an der Unterseite fest.
- Ovi verfügt über keine Einstellung zur automatischen Feuchtigkeitsregulierung. Achten Sie deshalb auf nasse Böden und Kondensation – besonders in kühlen Räumen mit erhöhter Luftfeuchtigkeit kann sich recht schnell Kondensation bilden.
- Passen Sie das Feuchtigkeitsniveau mit dem entsprechenden Schalter an. Berücksichtigen Sie dabei den Aufstellort und erhöhen Sie dementsprechend die Raumtemperatur oder schalten das Gerät ab sobald das gewünschte Maß an Luftfeuchtigkeit erreicht ist.

⚠ Achtung: Bitte stellen Sie sicher, dass der Luftbefeuchter ausgeschaltet ist, bevor Sie den Wassertank vom Gerät entfernen.

- 1 Befüllen Sie das Gerät von oben. Sinnvoll ist die Verwendung einer Kanne.



⚠ Achtung: Bitte füllen Sie das Wasser nur aus direkter Nähe in die Geräteoberseite ein. Bei zu schnellem Schütten oder bei Befüllen aus großer Höhe kann Wasser innerhalb des Gerätes Schaden anrichten.

⚠ Achtung: Bitte nutzen Sie für das Befüllen mit Wasser ausschließlich ein geeignetes Gefäß. Zu hoher Wasserdruck (z.B. direkt aus einem Wasserhahn) kann zu Feuchtschäden innerhalb des Gerätes führen.

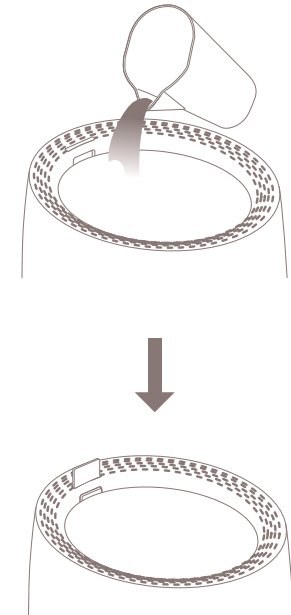
⚠ Achtung: Befüllen Sie das Gerät nur am Ort der Nutzung. Falls das Gerät nach dem Befüllen bewegt wird kann Wasser auslaufen und dadurch das Gerät beschädigen.

- 2 Beenden Sie den Befüllvorgang sobald sich die Öffnung zum Befüllen durch die Stopp-Vorrichtung schließt.

⚠ Achtung: Wenn weiteres Wasser in das Gerät gefüllt wird, obwohl sich die Öffnung zum Befüllen bereits durch die Stopp-Vorrichtung geschlossen hat, kann es zum Komplettausfall des Gerätes kommen.

- 3 Füllen Sie Wasser nach sobald der Ein-/Ausschalter bzw. die Nachfüllanzeige rot leuchtet.

⚠ Achtung: Selbst wenn die Wasser-Stopp-Vorrichtung des Gerätes nicht zu sehen ist befindet sich immer noch Wasser im Wassertank. Das Gerät kann weiterhin benutzt werden bis die Nachfüllanzeige rot aufleuchtet. Bitte befüllen Sie das Gerät, sobald die Nachfüllanzeige rot zu leuchten beginnt.



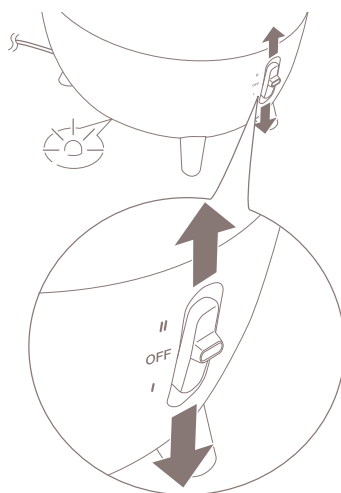


Luftbefeuchter mit dem Stromnetz verbinden

- 1 Schließen Sie das Stromkabel über den Stecker an eine Steckdose an.

⚠ **Vorsicht:**

- Niemals das Gerät mit feuchten Händen bedienen! Niemals Stromkabel und Stecker mit feuchten Händen an eine Steckdose anschließen!
- Bevor Sie das Gerät an eine Steckdose anschließen, trocknen Sie sich bitte sorgfältig die Hände – vor allem nach Befüllen des Wassertanks.
- Schließen Sie das Stromkabel direkt an eine Steckdose an. Vermeiden Sie die Verwendung von Mehrfachsteckdosen und Verlängerungskabeln.
- Schließen Sie das Kabel nicht an eine Stromquelle an, solange das Stromkabel noch zusammengebunden ist.



- 2 Bewegen Sie den Ein-/Ausschalter nach oben oder unten um den Luftbefeuchter an- bzw. auszuschalten.
 - Sobald die Stromverbindung aufgebaut ist leuchtet die Wasserfüllanzeige auf und der Ventilator beginnt zu rotieren.
 - Ist der Luftbefeuchter auf Stufe II eingestellt erzielen Sie die maximale Leistung des Geräts. Auf Stufe I arbeitet der Luftbefeuchter mit minimaler Leistung.
 - Leuchtet die Wasserfüllanzeige bei Einschalten

des Geräts rot auf, ist der Wasserstand im Gerät zu niedrig. Füllen Sie von oben Wasser in den dafür vorgesehenen Wassertank (siehe Punkt 2 „Befüllen des Wassertanks“).

- 3 Setzen Sie den Filter in den Luftbefeuchter ein und verschließen Sie ihn mit der Abdeckung.

- 3 Um das Gerät auszuschalten bewegen Sie den Ein-/Ausschalter zurück in die Off-Position und ziehen Sie den Stecker aus der Steckdose.

⚠ **Achtung:** Ziehen Sie beim Herausziehen aus der Steckdose immer direkt am Stecker, nicht am Kabel selbst. Ziehen am Stromkabel kann zu Kabelbruch führen.

Verwendung von Aromaölen

- 1 Öffnen Sie die Abdeckung des Ovi-Luftbefeuchters und nehmen Sie den Filter heraus.

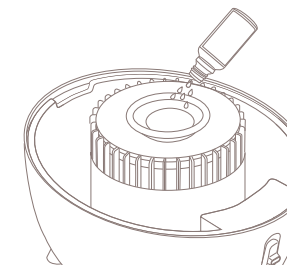
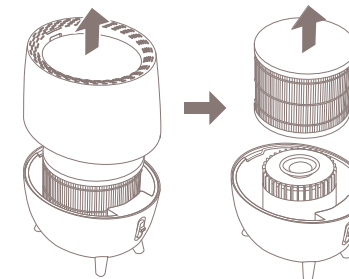
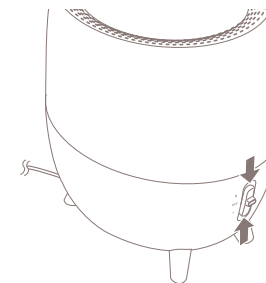
⚠ **Achtung:** Bewegen Sie Filter und Abdeckung beim Ein- und Ausbauen immer senkrecht nach oben.

- 2 Füllen Sie einige Tropfen Aromaöl in den dafür vorgesehenen Behälter.

⚠ **Achtung:** Niemals andere Flüssigkeiten außer Aromaöl in den Aromaölbehälter füllen.

⚠ **Achtung:** Niemals Aromaöl in den Wassertank füllen.

⚠ **Achtung:** Bedenken Sie: Die Benutzung von Aromaöl kann zu Verfärbungen im Aromaölbehälter führen.





3. Funktionen

Hinweis: Beachten Sie die Produktübersicht (Kapitel 1) für weitere Informationen.

1 Abdeckung

Die Oberflächenstruktur ist so ausgelegt, dass sich der Wasserdampf möglichst effizient verteilt. Bewegen Sie den Deckel niemals wenn das Gerät eingeschaltet ist und arbeitet. Lösen Sie die Abdeckung immer gerade nach oben.

2 Maximale Wasserfüllanzeige

Sobald der Wasserbehälter einen bestimmten Füllstand erreicht hat wird dies durch das Aufleuchten der Befüllungsanzeige angezeigt.

Hinweis: Auch wenn das Lämpchen weniger stark aufleuchtet oder ganz erlischt befindet sich immer noch Wasser im Tank. Der Luftbefeuchter kann ohne Neubefüllung weitergenutzt werden, bis die Anzeige rot blinkt. Sobald die Anzeige rot aufleuchtet sollten sie den Wassertank auffüllen.

3 Wassereinfüllöffnung

Über diese Öffnung füllen Sie Wasser in den Behälter. Sobald die maximale Füllhöhe erreicht ist, wird dies über die Befüllungsanzeige angezeigt und die Öffnung schließt sich.

Achtung: Versuchen Sie niemals gewaltsam Wasser über die Öffnung einzufüllen wenn diese sich bereits geschlossen hat. Gelangt Wasser jenseits des Wasserbehälters in das Gerät riskieren Sie einen technischen Defekt am Luftbefeuchter.

4 Stromstecker

Schließen Sie den Stecker unmittelbar an eine Steckdose an.

5 Ein-/Ausschalter

Schieben Sie den Schalter auf ‚humidifier II‘ (maximal) oder ‚humidifier I‘ (minimal), damit sich das Gerät einschaltet und mit der Luftbefeuchtung startet. Schieben Sie den Schalter auf die Off-Position, schaltet sich das Gerät wieder aus.

Hinweis: Da das Gerät zum Befeuchten der Luft auf Verdunstungsbasis arbeitet, tritt während der Befeuchtung kein sichtbarer Nebel aus dem Gerät aus.

6 Wasserfüllanzeige

Sobald das Gerät am Strom angeschlossen ist, leuchtet die Anzeige auf und blinkt rot, sobald Wasser nachgefüllt werden muss.

7 Aromaölbehälter

Nutzen Sie diesen Behälter, um den Luftbefeuchter mit Duftölen zu befüllen.

Hinweis: Aromaöle sind nicht im Lieferumfang inbegriffen.

8 Wasserbehälter

Wasser wird von oben in den Tank gefüllt.

4. Reinigung und Instandhaltung

Wichtig: Das Stromkabel vor Reinigung des Geräts aus der Steckdose ziehen.

Wichtig: Tauchen Sie den Stecker / das Stromkabel oder das Gerät niemals in Wasser.

Wichtig: Wir empfehlen das Gerät täglich zu reinigen, um der Bildung von Bakterien und Kalk im Wassertank vorzubeugen.

Tägliche Reinigung

Bitte tauschen Sie das Wasser im Wasserbehälter jeden Tag durch frisches Wasser aus. Verschmutztes Wasser oder Kalkablagerungen begünstigen Bakterienwachstum oder Schimmelbildung, was zu Geruchsbelästigung und Gesundheitsgefährdung führen kann.

Bitte führen Sie jeden Tag nach Abschalten des Luftbefeuchters die folgenden Schritte zur Reinigung des Geräts durch:

- Schalten Sie das Gerät aus und lösen Sie Stecker und Stromkabel von der Steckdose.
- Lösen Sie die Abdeckung und nehmen Sie den Wasserfilter heraus.

Achtung: Nehmen Sie Abdeckung und Filter immer gerade nach oben aus dem Gerät heraus.

- Nehmen Sie den Wasserbehälter aus dem Gerät und schütten Sie das restliche Wasser weg.

Achtung: Der Ventilator rotiert möglicherweise auch nach Abschalten des Luftbefeuchters leicht weiter. Stellen Sie sicher, dass der Motor wirklich stoppt. Berühren Sie unter keinen Umständen die rotierenden Ventilatorenblätter.

Achtung: Setzen Sie den gereinigten Wassertank korrekt in den Luftbefeuchter ein. Nur wenn der Wassertank richtig im Gerät eingesetzt ist, lässt sich das Gerät in Betrieb nehmen.





Wöchentliche Reinigung (Filter und Gerätekörper)

⚠ Bitte beachten: Falls Sie den Luftbefeuchter an mehreren aufeinanderfolgenden Tagen nutzen, reinigen Sie den Luftbefeuchter bitte einmal in der Woche wie hier beschrieben. Werden diese Reinigungsempfehlungen nicht regelmäßig befolgt können sich Kalkablagerungen im Geräteinnern bilden, die das Gerät angreifen und einen technischen Defekt herbeiführen können. Außerdem besteht die Gefahr, dass sich Bakterien und/oder Schimmel bilden, die die Gesundheit beeinträchtigen und es zu Geruchsbildung führen kann.

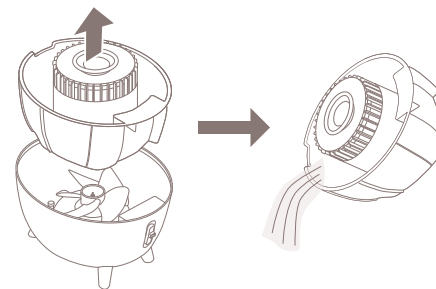
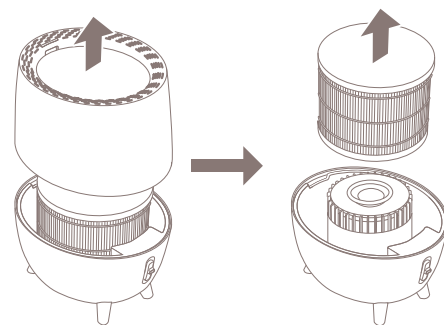
- 1 Schalten Sie das Gerät über den Ein-/ Ausschalter aus und ziehen Sie das Stromkabel am Stecker aus der Steckdose.
- 2 Lösen Sie die Abdeckung und heben Sie den Filter aus dem Gerät.

1 **Achtung:** Nehmen Sie Abdeckung und Filter immer gerade nach oben aus dem Gerät heraus.

1 **Achtung:** Nehmen Sie den Wassertank aus dem Gerät und schütten Sie das restliche Wasser weg.

1 **Achtung:** Der Ventilator rotiert möglicherweise auch nach Abschalten des Luftbefeuchters leicht weiter. Stellen Sie sicher, dass der Motor wirklich stoppt. Berühren Sie unter keinen Umständen die rotierenden Ventilatorenblätter.

1 **Wichtig:** Stellen Sie sicher, dass der Filter erst wieder eingesetzt wird wenn er vollständig getrocknet ist.



- 3 Reinigen Sie den Wassertank mit Spülmittel und einem weichen Schwamm.
- 4 Spülen Sie den Wassertank sorgfältig aus, sodass keinerlei Spülmittel-Rückstände zurückbleiben und trocknen Sie den Tank vorsichtig ab.
- 5 Tauchen Sie den Wasserfilter in 40°C lauwarmes Wasser ein und lassen Sie ihn an einem Ort trocknen, der vor direkter Sonneneinstrahlung geschützt ist und ausreichend belüftet ist.
- 6 Wischen Sie Seiten und Boden des Gerätekörpers sorgfältig mit einem leicht feuchtem Lappen aus.

1 **Achtung:** Verwenden Sie für die Reinigung weder metallene Bürsten, Schwämme aus Melamin, Poliermittel oder Flüssigkeiten wie Benzin, Verdünnungsmittel, Alkohol noch ähnliches.

1 **Achtung:** Vermeiden Sie unter allen Umständen, dass der Ventilator mit Wasser in Berührung kommt. Reinigen Sie den Ventilator niemals mit einem nassen Lappen – dies kann zum technischen Defekt des Geräts führen.

1 **Achtung:** Setzen Sie den gereinigten Wassertank korrekt in den Luftbefeuchter ein. Nur wenn der Wassertank richtig im Gerät eingesetzt ist lässt sich das Gerät in Betrieb nehmen.

Pflege vor längerer Lagerung de Gerätes

Bitte beachten Sie folgende Pflegehinweise bevor Sie das Gerät zur Lagerung abstellen:

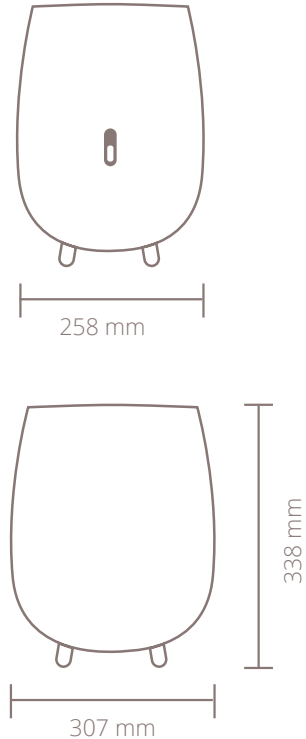
- 1 Folgen Sie den Anweisungen wie unter „Wöchentliche Reinigung“ beschrieben
- 2 Trocknen Sie jedes Einzelteil sorgfältig ab bevor Sie das Gerät wieder zusammensetzen.
- 3 Stellen Sie sicher, dass jedes Einzelteil wirklich trocken ist, bevor Sie es wieder einsetzen und anschließend einlagern.

Ersatzteile

Ersatzteile und Zubehör können Sie bei unseren Partnern im Einzelhandel erwerben.

DE

5. Technische Details



Gewicht:
2.8 kg



Stromverbrauch:
6-19W



Füllmenge des Wassertanks:
2L



Nutzfläche:
30m²



Wasserdampfausstoß:
200ml/Std.



Max. Nutzungsdauer:
10Std.



Länge des Stromkabels :
1.5m



Verarbeitete Materialien:
ABS, PP



Modellnummer:
DXHU01

Änderungen am Gerät in Aussehen und Funktion sind dem Hersteller vorbehalten und müssen nicht vorab kommuniziert werden.

6. FAQ

F. Wie häufig sollte der Filter ausgetauscht werden?

- A. Je nach Härte und Calciumgehalt Ihres Wassers empfehlen wir, den Wasserfilter alle 3-6 Monate zu wechseln. Bei regelmäßiger Verwendung des Luftbefeuchters kann der Filter ansonsten weder effektiv Wasser absorbieren, noch Calcium oder Bakterien aus dem Wasser filtern.

F. Die Strom-/ Wasserfüllanzeige leuchtet nicht auf.

- A. - Sind Stromkabel und Stecker mit der Steckdose verbunden?
- Gibt es einen Stromausfall?
- Ist der Wassertank korrekt eingesetzt? Nur wenn der Wassertank richtig eingesetzt wird lässt sich das Gerät an den Strom anschließen.

F. Die Strom-/ Wasserfüllanzeige blinkt rot.

- A. Der Wasserstand ist zu niedrig. Bitte befüllen Sie den Wassertank von oben mit frischem Wasser.

F. Das Gerät macht komische Geräusche.

- A. Bei diesem Gerät erfolgt die Luftbefeuchtung über einen Ventilator. Das ständige Rotieren der Ventilatorblätter kann leise Hintergrundgeräusche verursachen.

F. Das Gerät ist in Betrieb, es tritt aber kein Dunst aus.

- A. Das Gerät arbeitet auf Verdunstungsbasis. Diese Art von Geräten produzieren keinen sichtbaren Nebel zur Luftbefeuchtung.

F. Die Luft riecht eigenartig.

- A. - Haben Sie das Wasser gewechselt? Bitte füllen Sie täglich frisches Wasser in den Wassertank.
- Ist der Wasserfilter schmutzig oder muss komplett ausgetauscht werden? (siehe Kapitel: „Wöchentliche Reinigung (Filter und Gerätekörper)“, Kapitel 4) und/oder tauschen Sie den Filter aus

Bedankt dat je voor Duux hebt gekozen!

We zijn blij dat je hebt besloten om de handleiding van je nieuwe Duux luchtbevochtiger te lezen! Veel gebruikers slaan de instructies over en gaan direct met het apparaat aan de slag. Echter, verschillende studies tonen aan dat mensen die eerst de gebruikershandleiding lezen, sneller en efficiënter van start kunnen dan mensen die zomaar wat proberen.

Bij Duux geloven we in een comfortabele en gezonde leefomgeving voor iedereen. Het verbeteren van het binnenklimaat met aantrekkelijke, functionele en effectieve products is onze dagelijkse passie. Met onze reeks van innovatieve luchtbehandelingsproducten streven we er naar om jou van de best mogelijke luchtkwaliteit te voorzien.

Laat zijn goede looks je niet afleiden van zijn sublieme kwaliteit. Ovi heeft het allebei: geweldige stijl met hoge bevochtigingsprestaties. De 360° water filter verwijdert calcium deeltjes uit het water en beschermt de luchtbevochtiger tegen kalkaanslag om de levensduur te verlengen. Ovi kan van boven worden gevuld met water zodat je niet telkens naar de gootsteen hoeft te lopen om bij te vullen. Extra functies zoals instelbare verneveling, waarschuwing bij een leeg reservoir en automatische uitschakeling bieden optimaal gemak voor dagelijks gebruik. En voor de liefhebbers van wellness: Ovi kan worden gebruikt met je favoriete essentiële olie!

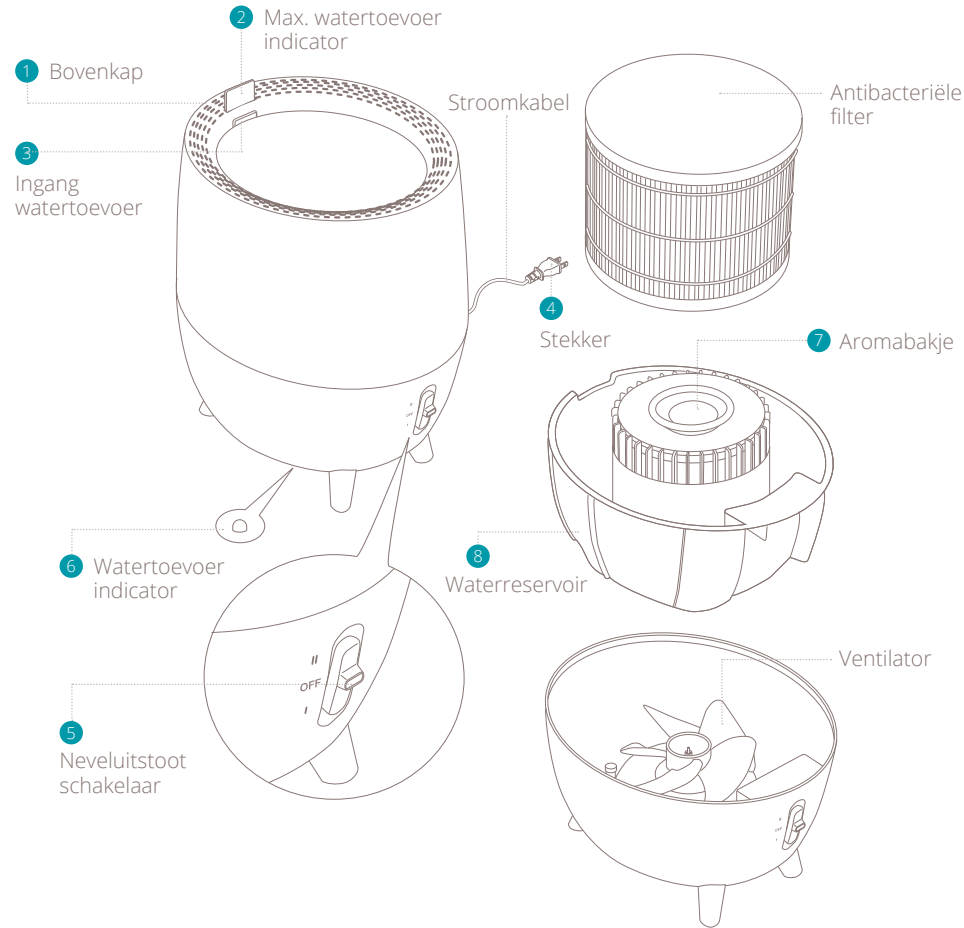
Lees deze handleiding goed door om het meeste uit je Ovi luchtbevochtiger te halen.



Inhoudsopgave

1. Productoverzicht	34
2. Installatie & gebruik	35
3. Functies	40
4. Onderhoud	41
5. Technische specificaties	44
6. Veel gestelde vragen	45

1. Product overzicht



2. Installatie en gebruik

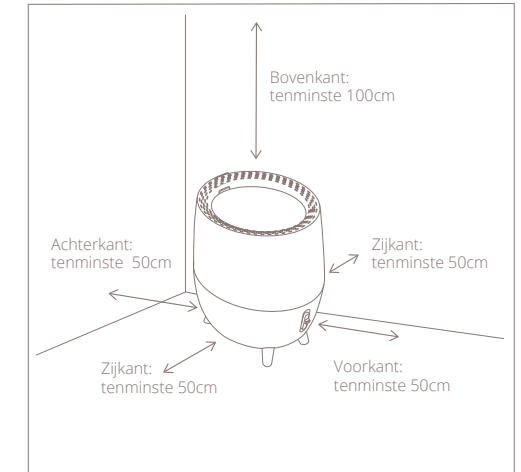
⚠ Let op: lees eerst aandachtig onderstaande instructies en het bijgevoegde waarschuwingsblad alvorens het product in gebruik te nemen.

Installatie

- Plaats het apparaat niet op een plek waar de neveluitstoot in aanraking kan komen met gordijnen, meubels, planten of deuren. De uitstoot kan vlekken of beschadigen veroorzaken.
- Plaats het product op een horizontaal en stabiel oppervlak om het morsen van water te voorkomen
- Installeer het apparaat niet binnen het bereik van kinderen. Dit kan leiden tot ongelukken of een defect aan het apparaat als het wordt omgestoten of op geklommen.
- Plaats het apparaat niet op een plek waar dingen van boven kunnen vallen. Dit kan leiden tot een ontsteking of defect.
- Plaats het apparaat niet in de buurt van apparaten die niet geschikt zijn voor water zoals PC's of smartphones. Dit kan leiden tot een ontsteking of defect.
- Gebruik het apparaat niet in omgeving waar het water of water in het reservoir kan bevriezen. Gebruik het apparaat niet indien het water of het water in het reservoir toch bevroren is totdat het ontdooid is. Dit kan leiden tot een ontsteking of defect.

Plaatsing

Plaats niet in de buurt van muren, ramen of meubels.



- Zelfs als het apparaat op een gepaste afstand van muren en meubels is geplaatst kan stof- en kalkvorming optreden na verloop van tijd. Wij raden aan om het apparaat regelmatig te onderhouden. Raadpleeg hoofdstuk 4 voor onderhoudsinstructies.
- Voorkom blootstelling aan direct zonlicht om verkleuring te voorkomen.



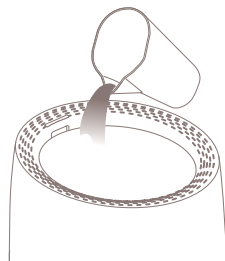
Water reservoir vullen

- Verplaats het apparaat indien er storing optreedt met TV, radio of andere elektronische apparaten.
- Verplaats het apparaat door het aan de onderkant vast te pakken.
- Het apparaat heeft geen automatische luchtvochtigheidsregeling. Natte vloeren en condensatie kan eenvoudig ontstaan in ruimtes met een lage temperatuur of een hoge luchtvochtigheid.
- Pas de nevelintensiteit aan met de neveluitstoot schakelaar. Houdt rekening met de temperatuur en de grootte van de ruimte waarin het apparaat is geplaatst.

⚠ Let op: controleer of het apparaat is uitgeschakeld alvorens het waterreservoir uit het apparaat te verwijderen.

- 1 Giet water (met een waterkan of glas) in het apparaat via de bovenkant.

① **Let op:** Giet het water langzaam en zo dichtbij mogelijk bij het apparaat naar binnen. Indien het hoog en snel worden gevuld kan het water aan de binnenkant van het apparaat gaan lekken en een defect veroorzaken.



① **Let op:** Vul het water aan met een glas, waterkan of gieter. Indien water direct uit de kraan wordt bijgevuld, kan de stroming te sterk worden waardoor er water aan de binnenkant van het apparaat kan gaan lekken en een defect kan veroorzaken.

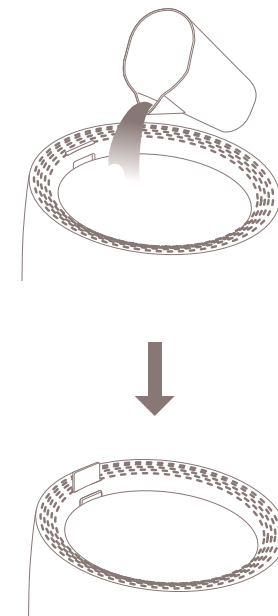
① **Let op:** Vul het water aan op de plaats waar je het apparaat gaat gebruiken. Wanneer het apparaat wordt verplaatst nadat het water is bijgevuld, kan er water worden gemorst en aan de binnenkant van het apparaat gaan lekken waardoor er een defect kan ontstaan.

- 2 Stop met water vullen zodra de water toevoer ingang gesloten is en de rode lijn op de indicator zichtbaar wordt.

ⓘ **Let op:** Als er na het sluiten van de water toevoer ingang toch water wordt bijgevuld, kan er water via de rand aan de binnenkant gaan lekken en een defect veroorzaken.

- 3 Vul water bij als de water toevoer indicator rood knippert.

⚠ **Let op:** Zelfs als de water toevoer indicator helemaal verdwijnt is er nog steeds water aanwezig in het reservoir. Het gebruik kan worden voortgezet totdat de toevoer indicator lamp rood gaat knipperen. Vul water bij als de water toevoer indicator rood knippert.



NL

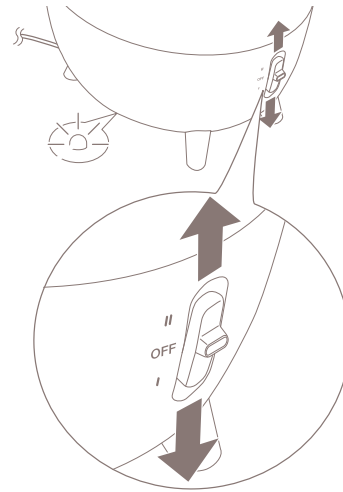
Het product aansluiten

- 1 Stop de stekker in een stopcontact.

⚠ **Waarschuwing:**

- Sluit het product niet aan of trek de stekker niet uit het stopcontact met natte handen.
- Droog je handen goed alvorens het product in gebruik te nemen, met name na het vullen van het waterreservoir.
- Vermijd het product aan te sluiten met andere stekkers, verlengsnoeren of stekkerdozen.
- Het product niet gebruiken als het netsnoer nog is opgerold.

- 2 Schakel de neveluitstoot schakelaar naar boven of beneden om het product aan te zetten
 - Zodra het product is ingeschakeld gaat de water toevoer indicator rood knipperen en begint de ventilator te draaien.
 - Zodra de neveluitstoot staat ingesteld op niveau II, werkt de luchtbevochtiger op de hoogste capaciteit. Indien de uitstoot is ingesteld op niveau I, werkt de luchtbevochtiger op de laagste stand.
 - Zodra de water toevoer indicator rood knippert als het apparaat is ingeschakeld, is er onvoldoende water aanwezig in het reservoir. Vul water bij via de bovenkant van het apparaat (zie hoofdstuk 2).



- 3 Schakel de neveluitstoot schakelaar naar OFF en verwijder na gebruik de stekker uit de stopcontact.

⚠ **Let op:** Trek altijd aan de stekker in plaats van het netsnoer bij het verwijderen van de stekker uit het stopcontact.

Gebruik van aromatherapie

- 1 Verwijder de bovenkap.

⚠ **Let op:** Til de kap verticaal omhoog.

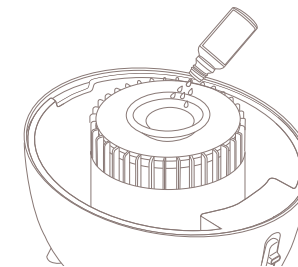
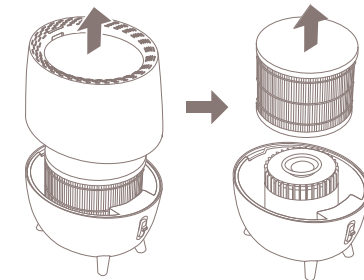
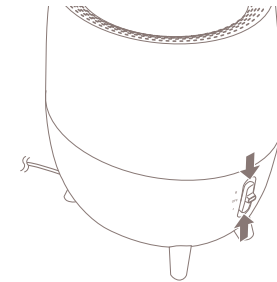
- 2 Schenk een paar druppels essentiële olie in het aromabakje.

⚠ **Let op:** Gebruik alleen essentiële oliën in het aromabakje.

⚠ **Let op:** Schenk geen essentiële oliën in het waterreservoir.

⚠ **Let op:** Afhankelijk van het type olie dat wordt gebruikt kan het aromabakje mogelijk verkleuren. Houdt hier rekening mee.

- 3 Plaats de filter en bovenkap terug op het apparaat.



3. Functies

⚠ **Let op:** Zie product overzicht (hoofdstuk 1) voor referenties

1 Bovenkap

De bovenkap is zo ontworpen dat de waterdamp zo efficiënt mogelijk wordt verspreid en opgenomen. Til de kap bij het verwijderen altijd verticaal omhoog.

2 Max. water toevoer indicator

Zodra het waterniveau een bepaald niveau heeft bereikt wordt de water toevoer indicator zichtbaar. Als het waterreservoir vol is geeft de indicator dit aan en sluit de water toevoer ingang automatisch.

⚠ **Let op:** Zelfs als de water toevoer indicator helemaal verdwijnt is er nog steeds water aanwezig in het reservoir. Het gebruik kan worden voortgezet totdat de toevoer indicator lamp rood gaat knipperen. Vul water bij als de water toevoer indicator rood knippert.

3 Water toevoer ingang

Water gaat naar binnen via deze ingang en het reservoir wordt hiermee automatisch gevuld. Zodra het reservoir vol is komt de water toevoer indicator naar boven en sluit de water toevoer ingang automatisch.

⚠ **Let op:** Voeg geen water meer toe zodra de water toevoer ingang gesloten is. Dit kan leiden tot overstroming van het waterreservoir en kan hiermee een defect veroorzaken.

4 Stekker

Sluit de stekker van de stroomkabel direct aan op een stopcontact.

5 Neveluitstoot schakelaar

Zodra de schakelaar is ingesteld op "II" (maximum) of "I" (minimum) gaat het apparaat automatisch aan en start het met bevochtigen. Het apparaat schakelt automatisch aan zodra de schakelaar is ingesteld op OFF.

⚠ **Let op:** Omdat dit apparaat bevochtigd via waterdamp is er geen nevel zichtbaar.

6 Watertoevoer indicator

De indicator schijnt wit licht zodra het apparaat is ingeschakeld en knippert rood zodra water moet worden bijgevoerd.

7 Aromabakje

Gebruik dit bakje om aroma toe te voegen.

⚠ **Let op:** essentiële oliën zijn niet inbegrepen.

8 Waterreservoir

Hier wordt het water opgeslagen dat via de bovenkant wordt bijgevoerd.

4. Onderhoud

⚠ **Belangrijk:** Verwijder de stekker uit het stopcontact alvorens onderhoud uit te voeren.

⚠ **Belangrijk:** Dompel de stekker of het apparaat niet onder in water.

⚠ **Belangrijk:** Wij raden aan het apparaat dagelijks te onderhouden om de groei van bacteriën en kalkaanslag in het waterreservoir tegen te gaan

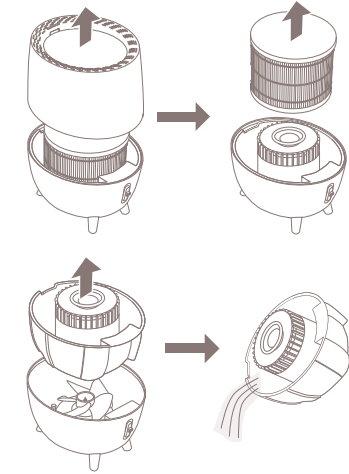
Dagelijks onderhoud

Vervang het water in het waterreservoir ieder dag met vers water. Kalkaanslag of vuil in het water kan de groei van bacteriën of schimmel bevorderen wat kan leiden tot nare geurtjes en gezondheidsklachten.

Volg de volgende stappen na dagelijks gebruik:

- 1 Verschuif de schakelaar naar OFF en verwijder de stekker
- 2 Verwijder de bovenkap en de filter

⚠ **Let op:** Til de kap verticaal omhoog.



- 3 Verwijder het waterreservoir en het resterende water uit het reservoir.

⚠ **Let op:** De ventilator kan mogelijk nog draaien zodra het apparaat is uitgeschakeld. Controleer of het volledig is gestopt met draaien. Raak onder geen enkele omstandigheid de draaiende fan aan.

⚠ **Let op:** Plaats het waterreservoir correct terug in het apparaat. Indien het reservoir niet correct is teruggeplaatst, kan het apparaat mogelijk niet worden ingeschakeld.

Wekelijks onderhoud (filter en hoofdonderdeel)

⚠ Let op: Voer onderstaande procedure uit indien het apparaat meerdere dagen achter elkaar wordt gebruikt. Indien dit onderhoud niet wordt uitgevoerd kan kalkaanslag optreden en de levensduur van het apparaat verkorten of een defect veroorzaken. Ook zal de groei van bacteriën en nare geurtjes toenemen wanneer het apparaat niet goed wordt onderhouden.

- 1 Verschuif de schakelaar naar OFF en verwijder de stekker;
- 2 Verwijder de bovenkap en de filter;

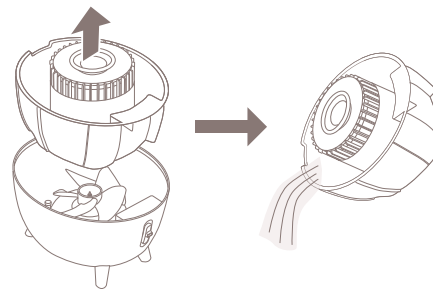
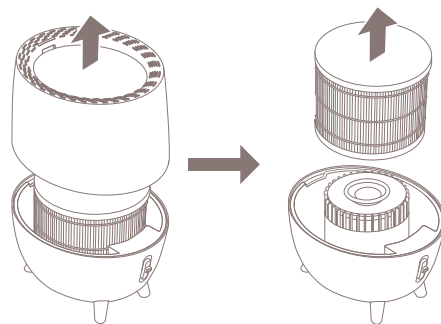
⚠ Let op: Til de kap en filter verticaal omhoog.

⚠ Let op: Verwijder het waterreservoir en het resterende water uit het reservoir.

⚠ Let op: De ventilator kan mogelijk nog draaien zodra het apparaat is uitgeschakeld. Raak onder geen enkele omstandigheid de draaiende fan aan.

⚠ Belangrijk: Zorg ervoor dat de filter volledig droog is voordat deze wordt teruggeplaatst.

- 3 Voeg wat afwasmiddel toe op een zachte spons en reinig het waterreservoir;
- 4 Maak het waterreservoir goed schoon zodat er geen afwasmiddel overblijft en laat het reservoir goed drogen;



- 5 Dompel de filter in lauwarm water onder de 40°C en droog het op een plek met voldoende ventilatie (niet in direct zonlicht).
- 6 Maak een zachte doek nat met lauwarm water en wring het goed uit. Verwijder hiermee vuil aan de binnen- en buitenkant van het apparaat.

⚠ Let op: Gebruik geen metalen schuursponsjes, melanine sponzen, polijstmaterialen, of oplosmiddelen zoals benzeen, thinner of alcohol.

⚠ Let op: Zorg dat er geen water op de ventilator kan komen. Raak de ventilator niet aan (zelf niet met een zachte doek!) omdat dit een defect kan veroorzaken.

⚠ Let op: Plaats het waterreservoir correct terug in het apparaat. Indien het reservoir niet correct is teruggeplaatst, kan het apparaat mogelijk niet worden ingeschakeld.

Onderhoud voor opslag

Voer het volgende onderhoud uit alvorens het product op te slaan.

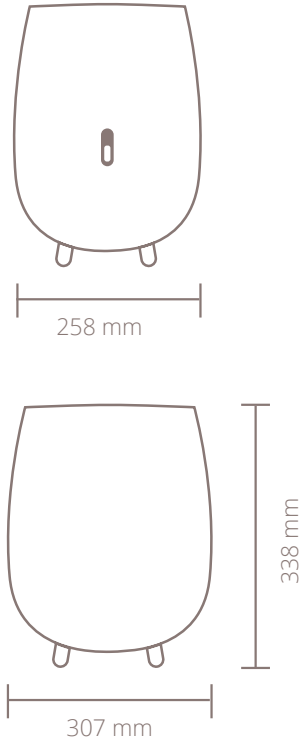
- 1 Volg de stappen onder "Wekelijks onderhoud"
- 2 Droog ieder component alvorens het weer in elkaar te zetten
- 3 Controleer of ieder component, inclusief de filter, volledig droog is. Zet het apparaat dan in elkaar en sla het op.

Reserveonderdelen

Reserveonderdelen kunnen worden aangevraagd bij het verkooppunt of lokale distributeur.

NL

5. Technische specificaties



Gewicht:
2.8 kg



Stroomverbruik:
6-19W



Watercapaciteit:
2L



Effectieve ruimte:
30m²



Neveluitstoot:
200ml/h



Max. operatieduur:
10h



Stroomsnoer lengte:
1.5m



Hoofd materialen:
ABS, PP



Model nr.:
DXHU01

Het uiterlijk en de specificaties van dit apparaat kunnen worden aangepast zonder melding.

6. Veel gestelde vragen

V. Hoe vaak dien ik mijn filter te vervangen?

A. Afhankelijk van de hardheid en hoeveelheid calcium in het kraanwater, raden wij aan om de filter iedere 3 tot 6 maanden te vervangen. Na deze periode verliest de filter zijn effectiviteit met betrekking tot wateropname, kalkverwijdering en bacteriefiltering.

V. De water toevoer indicator licht niet op.

A. - Is de stekker volledig in het stopcontact gestopt?
- Is er een stroomstoring?
- Is het waterreservoir correct teruggeplaatst? Indien het reservoir niet correct is teruggeplaatst, kan het apparaat mogelijk niet worden ingeschakeld.

V. De water toevoer indicator knippert rood.

A. Water bijvullen is vereist. Vul water bij via de bovenkant van het apparaat.

V. Het product maakt vreemde geluiden tijdens het gebruik.

A. Dit apparaat maakt gebruik van een ventilator. Deze draait continue rond zodra het apparaat is ingeschakeld en kan daardoor geluid maken.

V. Er komt geen nevel uit het apparaat.

A. Dit apparaat maakt gebruik van verdamping. Verdampende luchtbevochtigers bevochtigen zonder zichtbare nevel.

V. De lucht ruikt vreemd.

A. - Is het water ververst? Vervang het water in het reservoir iedere dag met vers water.
- Is de filter droog / aan het eind van zijn levensduur? Raadpleeg "Wekelijks onderhoud" (hoofdstuk 4) en/of vervang de filter.

Merci pour avoir choisi un article Duux.

Nous sommes très content que vous consultez les instructions de votre nouvel humidificateur Duux! Beaucoup d'utilisateurs jettent les instructions et cherchent à comprendre le produit seul. Des études montrent que ceux qui lisent les instructions utilisent l'article plus vite et plus efficace que ceux qui le font sur base d'essais et erreurs.

Nous, chez Duux, nous croyons fortement à l'importance d'un environnement de vie confortable et saine. Améliorer votre bien-être par des articles avec un design attractif, fonctionnels et effectifs; c'est notre passion qui nous pousse tous les jours. Avec notre gamme de produits innovatrices de traitement d'air notre objectif est de vous donner la meilleure qualité d'air possible.

Ne vous laissez pas distraire de la qualité par la beauté du produit. Ovi vous donne le meilleur des deux mondes : style exceptionnel avec humidification en haute performance. Equipé d'un filtre d'eau à 360°, il retient les particules de calcaire de l'eau pour protéger votre humidificateur contre l'eau dure pour étendre la durée de vie de votre appareil. Vous pouvez remplir l'humidificateur d'eau par le dessus. Vous ne devez donc pas aller chaque fois à la cuisine pour le remplir d'eau. Les spécifications additionnel comme le réglage de l'intensité de vapeur, l'indicateur qui indique qu'il faut le remplir d'eau et le déclenchement automatique ; vous donnent un confort optimal pour l'utiliser tous les jours. Et pour ceux qui adorent le bien-être: vous pouvez ajouter à l'Ovi votre huile essentiel préférée!

Lisez ce manuel avec attention et profitez maximal de votre humidificateur Ovi.

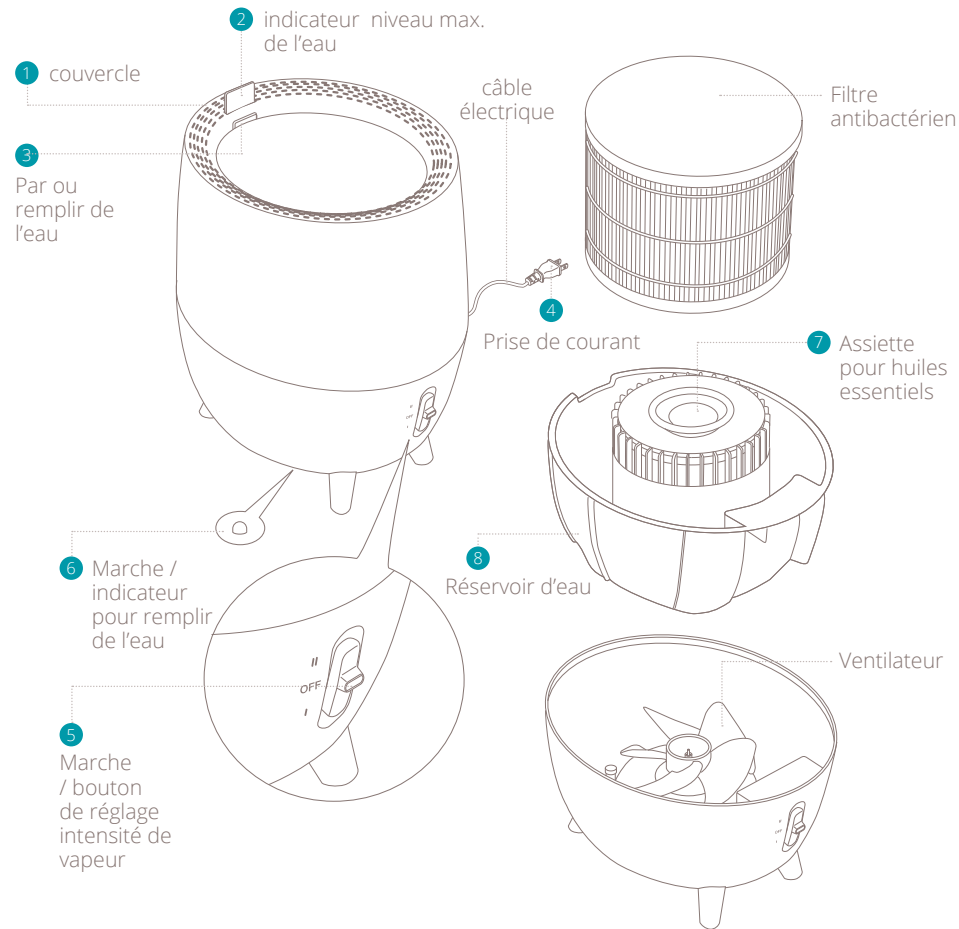


FR

Contenu

- 1. Récapitulatif produit **48**
- 2. Installation & utilisation **49**
- 3. Fonctions **54**
- 4. Maintenance **55**
- 5. Spécifications techniques **58**
- 6. FAQ **59**

1. Récapitulatif produit



2. Installation et utilisation

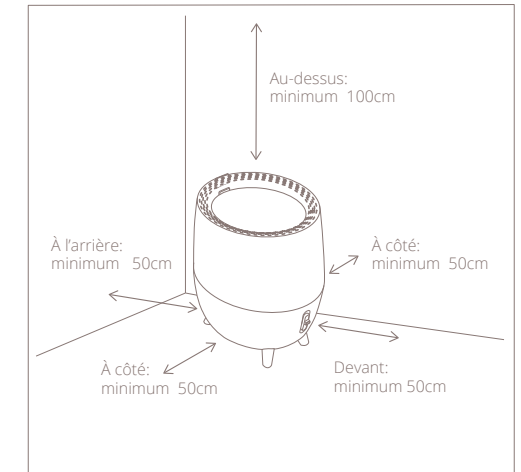
Note: Veuillez bien lire les instructions ci dessous et la feuille attention séparé avant l'utilisation de ce produit.

Installation

- Ne posez pas cet appareil trop près des rideaux, meubles, plantes ou portes, pour éviter que l'humidité puisse créer des taches ou des déformations.
- Posez l'appareil sur une surface horizontale et stable.
- Ne pas utiliser là où des enfants sont seuls pour éviter des blessures ou la casse de l'appareil quand ils jouent avec. Cela peut causer un court-circuit ou casse.
- Ne pas poser là où il y a un risque de tomber ce qui peut casser l'appareil. Cela peut causer un court-circuit ou casse.
- Ne pas poser près d'appareils qui ne supportent pas l'eau ou l'humidité. Cela peut causer un court-circuit ou casse.
- Ne pas utiliser l'appareil dans des circonstances où l'eau pourrait geler. Si l'eau est gelé, attendez qu'elle soit dégelé avant de l'utiliser. Cela peut causer un court-circuit ou casse.

Placement

Ne le posez pas près de murs, fenêtres et meubles.



- Après utilisation pendant un longue période de temps, l'appareil peut devenir sale et plein de calcaire. Nous recommandons de le nettoyer régulièrement. Consultez chapitre 4 pour instructions de maintenance.
- Ne le posez pas Please avoid places with direct sunlight. There is a risk that the device discolors.

FR



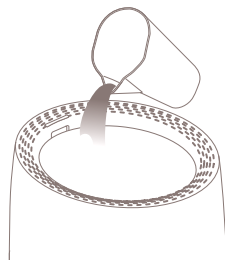
Remplir le réservoir d'eau

- Si il y a une interférence avec la TV, radio ou autres appareils électriques, changez cet appareil de place.
- Quand vous changez cet appareil de place prenez-le avec base et tenez le bien.
- Cet appareil n'est pas équipé d'un réglage automatique d'humidité. Des sols mouillés ou condensation sur les fenêtres peuvent se produire dans des chambres froides ou très humides.
- Ajustez le taux d'humidité avec le bouton vapeur, suivant la chambre ou l'appareil se trouve, et la température.

⚠ **Note:** Veuillez-vous assurer que l'appareil soit éteint avant d'enlever le réservoir de l'appareil.

- 1 Versez de l'eau par-dessus.

ⓘ **Attention:** Versez de l'eau lentement le plus près possible de la superficie. Si vous versez de trop haut, de l'eau peut couler dans l'appareil et créer une panne.



ⓘ **Attention:** Versez de l'eau avec un arrosoir ou une bouteille. Si vous le remplissez directement du robinet le jet d'eau peut-être trop fort et de l'eau peut couler dans l'appareil et créer une panne.

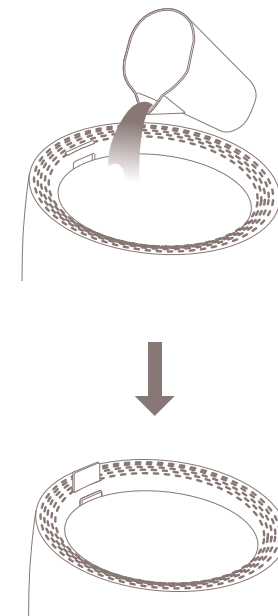
ⓘ **Attention:** Versez de l'eau là où l'appareil est placé. Si vous le remplissez ailleurs et vous le bougez de l'eau peut couler dans l'appareil et créer une panne.

- 2 Arrêtez de remplir d'eau quand l'indicateur rouge bloque l'entrée d'eau.

ⓘ **Attention:** Si vous continuez à verser de l'eau après que l'indicateur rouge bloque l'entrée d'eau, de l'eau peut couler dans l'appareil et créer une panne.

- 3 Ajoutez de l'eau quand l'indicateur de marche clignote rouge.

⚠ **Note:** Vous pouvez continuer à utiliser l'appareil jusqu'à ce que l'indicateur commence à clignoter en rouge.



FR

Connecter l'appareil

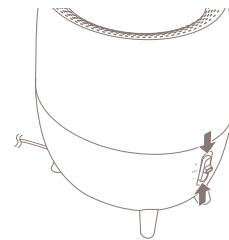
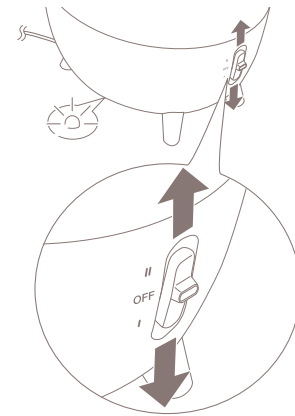
- 1 insérez la prise dans la prise de courant.

⚠ Caution:

- Ne touchez ni la prise, ni la prise de courant et ni l'appareil avec des mains mouillés.
- Séchez bien vos mains avant d'utiliser l'appareil, surtout après avoir ajouté de l'eau.
- Évitez de connecter l'appareil en utilisant d'autres prises, des multiprises ou des rallonges.
- Ne pas utiliser si le fil électrique avec des nœuds.

- 2 Mettez le bouton de marche vers le haut ou vers le bas pour mettre l'appareil en marche.
 - Une fois en marche l'indicateur de marche s'allume et l'appareil se met en marche et le ventilateur commence à tourner.
 - Une fois que le bouton est mis sur II, le taux d'humidité est au maximum est quand il est sur I, le taux d'humidité est au minimum.
 - Si le bouton de marche clignote en rouge il n'y a pas assez d'eau. Ajoutez de l'eau par au-dessus, comme indiqué en chapitre 2.
- 3 Mettez le bouton de marche sur OFF après l'utilisation et débranchez la prise.

⚠ **Attention:** Retirez la prise en tenant la prise et non pas le fil. Si vous tirez par le fil il peut casser.



Utilisation de Aromatherapy

- 1 Enlevez la partie du dessus et le filtre.

⚠ **Attention:** Montez le couvercle et le filtre verticalement.

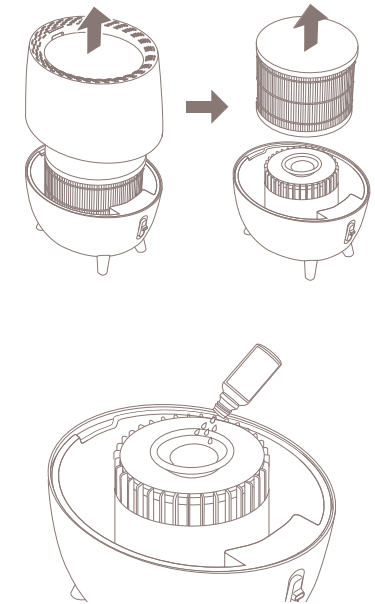
- 2 Mettez quelques gouttes d'huile dans la petite assiette.

⚠ **Attention:** N'utilisez pas d'autres produits que des huiles aromatiques.

⚠ **Attention:** Ne mettez pas d'huiles aromatiques directement dans l'eau.

⚠ **Attention:** Suivant le type d'huile aromatique la couleur de l'assiette peut changer.

- 3 Remettez le filtre dans sa position originale et après le couvercle au-dessus pour fermer l'appareil.



FR

3. Fonctions

⚠ **Note:** regardez le plan récapitulatif (chapitres 1).

1 Couvercle du dessus

La structure est tel que la vapeur évaporée est dispersée efficacement. Laissez le couvercle à tous moments sur place lors du fonctionnement. Si vous l'enlevez, toujours verticalement.

2 indicateur du niveau de l'eau maximal

Si le réservoir de l'eau monte au-dessus d'un certain niveau, l'indicateur rouge apparaît.

⚠ **Note:** Vous pouvez continuer à utiliser l'appareil jusqu'à ce que l'indicateur commence à clignoter en rouge. Remplissez d'eau quand l'indicateur de marche clignote en rouge.

3 Entrée d'eau

L'eau rentre dans le réservoir par ici. Une fois que le réservoir est plein l'indicateur rouge apparaît.

⚠ **Attention:** Si l'entrée de l'eau est fermée ne forcez pas à mettre encore de l'eau. De l'eau peut couler dans l'appareil et créer une panne.

4 Prise de courant

Insérez la prise dans la prise de courant.

5 Bouton de marche / intensité de vapeur

Une fois que le bouton est mis sur II, au maximum ou sur I, au minimum, l'appareil se met en marche. Si le bouton est sur OFF l'appareil est éteint.

⚠ **Note:** Comme cet appareil utilise l'évaporation, la vapeur humide n'est pas visible.

6 Indicateur de marche / niveau de l'eau

Il s'allume quand l'appareil est en marche et clignote en rouge s'il faut rajouter de l'eau.

7 Petite assiette d'huiles d'arômes.

Utilisez cette assiette pour les huiles aromatiques.

⚠ **Note:** Huiles aromatique ne sont pas inclus.

8 Réservoir d'eau

Récupère l'eau qui est versé par au-dessus.

4. Maintenance

⚠ **Important:** retirez la prise avant de faire l'entretien à l'appareil.

⚠ **Important:** Tenez la prise loin de l'eau.

⚠ **Important:** Nous recommandons l'entretien journalier pour éviter le développement de bactéries et de calcaires dans le réservoir de l'eau.

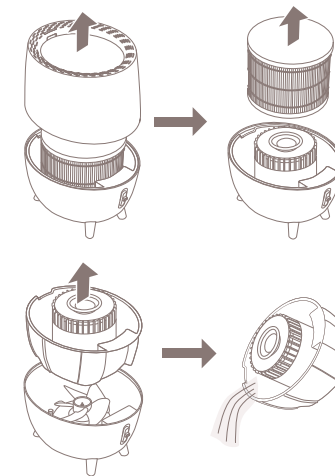
Entretien journalier.

Remplacez chaque jour l'eau dans le réservoir par de l'eau fraîche de robinet. Des saletés dans l'eau ou le calcaire peut activer le développement de bactéries ou moisissures causant une mauvaise odeur et risques de santé.

Veillez suivre les pas ci-dessous tous les jours après utilisation:

- 1 Mettez le bouton de marche sur OFF et retirez la prise;
- 2 enlevez le couvercle et le filtre.

⚠ **Attention:** Quand vous enlevez le couvercle et le filtre faites le verticalement.



- 3 Enlevez le réservoir d'eau et videz le.

⚠ **Attention:** Le ventilateur peut continuer à tourner, même si le courant est coupé. Ne touchez pas le ventilateur.

⚠ **Attention:** Remettez le réservoir d'eau correctement. S'il n'est pas remis correctement l'appareil risqué de ne pas fonctionner.

FR

Entretien hebdomadaire (filtre et appareil)

⚠ Note: si vous l'utiliser plusieurs jours consécutives, faites un entretien hebdomadaire suivant une procédure spécifique suivante. Si vous ne faites pas d'entretien le calcaire peut se former à l'intérieur de l'appareil et causé un panne. Et si vous n'entretenez pas votre appareil cela peut créer le développement de bactéries et des moisissures et mauvaises odeurs.

- 1 Mettez le bouton de marche sur OFF et retirez la prise;
- 2 enlevez le couvercle et le filtre.

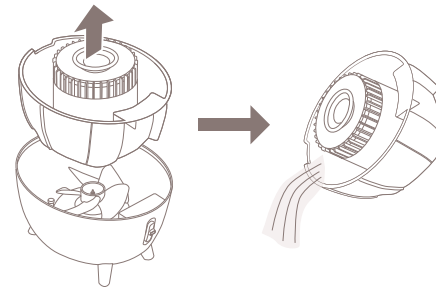
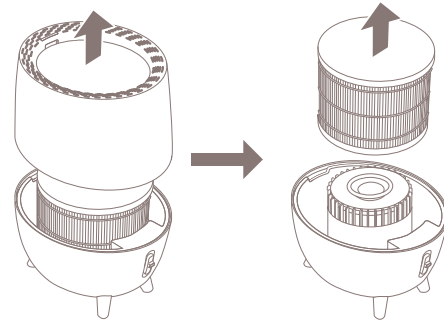
⚠ Attention: Quand vous enlevez le couvercle et le filtre faites le verticalement.

⚠ Attention: Enlevez le réservoir d'eau et videz le.

⚠ Attention: Le ventilateur peut continuer à tourner, même si le courant est coupé. Ne touchez pas le ventilateur.

⚠ Important: Contrôlez que le filtre soit complètement sèche.

- 3 Ajoutez un détergent sur une éponge douce et laver le réservoir d'eau;
- 4 Rincez bien le réservoir pour enlever tous les résidus de détergent;



- 5 Immergez le filtre que vous avez sortie de l'appareil dans de l'eau chaude à moins 40°C et laissez le sécher par la ventilation normale et ne le mettez pas dans le soleil.
- 6 Mouillez un chiffon avec de l'eau chaude et nettoyez l'appareil à l'extérieur.

⚠ Attention: ne pas utiliser des éponges en fer, éponges mélamine, détergents agressifs, ou des solvants comme le benzène, thinner, alcool ou autres.

⚠ Attention: Assurez-vous que l'eau ne puisse pas aller sur le ventilateur – même pas avec un chiffon mouillé! → si il contient de l'eau il peut se mettre en panne.

⚠ Attention: Placez le réservoir d'eau correctement dans l'appareil. S'il n'est pas bien installé il ne marchera pas.

Entretien avant le rangement

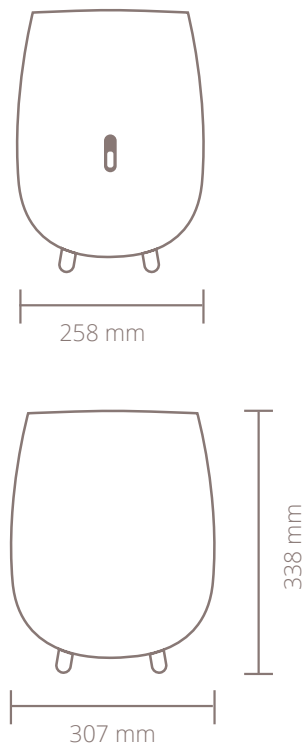
Effectuez les pas suivants pour l'entretien avant de le ranger:

- 1 Suivez la procédure sous entretien hebdomadaire.
- 2 Séchez chaque pièce avant de l'assembler.
- 3 Contrôlez que chaque composant, le filtre inclus, soit complètement sèche. Ensuite assemblez l'appareil et rangez le.

Pièces de rechange

Des pièces de rechanges peuvent être demandées sur le point de vente ou revendeur local.

5. Spécifications techniques



Poids:
2.8 kg



Consommation de courant:
6-19w



Capacité du réservoir d'eau:
2L



Zone effective:
30m²



Vapeur éjectée:
200ml/h



Temps Max. de fonctionnement:
10h



Longueur du fil de courant:
1.5m



Matériaux principaux:
ABS, PP



Model no.:
DXHU01

L'apparence et les spécifications de l'appareil peuvent changer sans notice.

6. FAQ

Q. A quel moment faut-il remplacer le filtre?

A. Suivant le calcaire dans l'eau du robinet, nous suggérons de le remplacer tous les 3 à 6 mois. Après cette période il devient moins efficace à absorber l'eau, retenir le calcaire et filtrer les bactéries.

Q. L'Indicateur Marche/niveau de l'eau ne s'allume pas ?

A. – Est-ce que la prise est bien enfoncé jusqu'au fond?
– Est-ce que vous avez du courant?
– Est-ce que le réservoir de l'eau est bien installé dans l'appareil ?

Q. L'Indicateur Marche/ niveau de l'eau flashe rouge.

A. Ajouter de l'eau par le dessus de l'appareil.

Q. Sons bizarres lors du fonctionnement de l'appareil.

A. Cet appareil évapore en utilisant un ventilateur. Un ventilateur tourne constamment lors du fonctionnement et vous pourrez entendre le son du ventilateur.

Q. Il n'y a pas de brouillard quand il fonctionne.

A. Cet appareil humidifie avec un système d'évaporation. Des humidificateurs évaporatives humidifient sans générer de brouillard non visible.

Q. L'Air sent mauvais.

A. – Est-ce que vous avez changé l'eau? Veuillez utiliser de l'eau fraîche chaque jour.
– Est-ce que le filtre est sale / ou à la fin de la durée d'utilisation? Consultez chapitre 4 Maintenance.

FR

Dziękujemy za wybranie produktów firmy Duux.

Cieszymy się, że zdecydowali się Państwo przeczytać instrukcję obsługi do nowego nawilżacza powietrza firmy Duux! Wielu użytkowników beztrudno pomija instrukcje i stara się znaleźć rozwiązania na własną rękę. Jednak badania dowodzą, że ludzie, którzy czytają instrukcje wdrażają się szybciej i sprawniej niż ci, którzy sami zmagają się z problemami i błędami.

W Duux wierzymy, że wygodne i zdrowe środowisko życia ma ogromne znaczenie. Poprawianie Państwa samopoczucia poprzez tworzenie atrakcyjnych, funkcjonalnych i efektywnych produktów to pasja, która napędza nas każdego dnia. Pragniemy zapewniać najwyższą jakość powietrza w Państwa pomieszczeniach dzięki naszym innowacyjnym produktom do jego uzdatniania.

Niech świetny wygląd naszego produktu nie odwróci Państwa uwagi od jego jakości. Ovi łączy w sobie to co najlepsze: niepowtarzalny styl i wysoką wydajność nawilżania powietrza. Aby wydłużyć czas funkcjonowania nawilżacza, urządzenie zostało wyposażone w 360-stopniowy filtr, który usuwa z wody cząsteczki wapnia i zabezpiecza przed tworzeniem się w nawilżaczu osadu z twardej wody. Nawilżacz można uzupełniać wodą od góry, więc nie muszą Państwo nosić zbiornika do zlewu za każdym razem, gdy zechcecie uzupełnić stan wody. Dodatkowe funkcje takie jak regulacja emisji pary, diodowy wskaźnik poziomu wody czy automatyczne wyłączanie urządzenia zapewnią Państwu optymalną wygodę podczas jego codziennego użytkowania. A dla tych, którzy kochają wellness: Ovi można używać wraz z Państwa ulubionym olejkiem eterycznym!

Prosimy uważnie przeczytać niniejszą instrukcję obsługi, aby móc w pełni cieszyć się nawilżaczem powietrza Ovi.

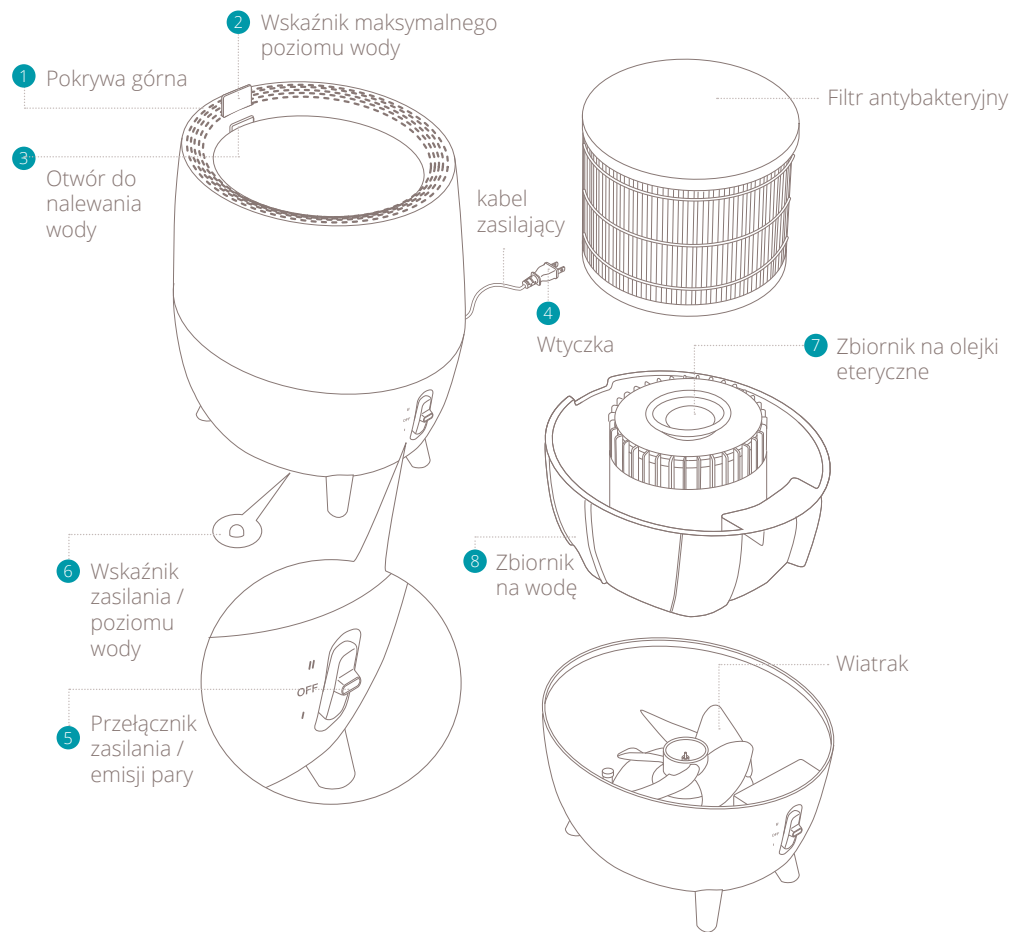


PL

Spis treści

- | | |
|-----------------------------|-----------|
| 1. Opis produktu | 62 |
| 2. Instalacja i użytkowanie | 63 |
| 3. Funkcje | 68 |
| 4. Konserwacja | 69 |
| 5. Specyfikacje techniczne | 72 |
| 6. Często zadawane pytania | 73 |

1. Opis produktu



2. Instalacja i użytkowanie

Uwaga: Przed rozpoczęciem użytkowania produktu należy zapoznać się z instrukcją podaną poniżej oraz oddzielnie dołączonym Ostrzeżeniem.

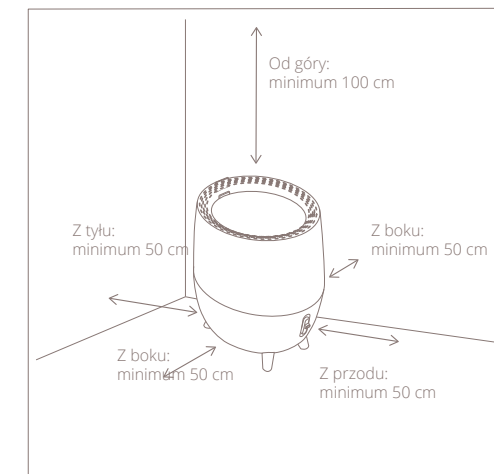
Instalacja

- Urządzenia nie ustawiać w miejscu, gdzie para wodna bezpośrednio skierowana będzie na zasłony, meble, rośliny doniczkowe lub drzwi. Może to spowodować powstawanie plam i odkształceń.
- Urządzenie należy ustawić na poziomej i stabilnej powierzchni. W przeciwnym razie możliwe jest rozlanie wody.
- Nie ustawiać w miejscu, gdzie przebywają wyłącznie dzieci (na przykład w pokojach dziecięcych). Strącenie urządzenia lub wejście na nie może grozić urazem lub awarią sprzętu.
- Nie ustawiać w żadnym miejscu, z którego urządzenie mogłoby spaść. Może to spowodować zapłon lub awarię.
- Nie ustawiać w pobliżu urządzeń, które nie tolerują kontaktu z wodą takich jak komputery czy smartfony. Może to spowodować zapłon lub awarię.
- Produktu nie należy używać w takich warunkach, które mogłyby spowodować, że woda w zbiorniku na wodę lub w urządzeniu

zamarznie. Jeśli woda w zbiorniku lub urządzenie zamarznie, nie należy uruchamiać go do momentu, gdy lód stopnieje. Może to spowodować zapłon lub awarię.

Umieszczenie urządzenia

Prosimy umieszczać z dala od ścian, okien i mebli.



- Produkt może pokryć się osadem, jeśli jest używany przez dłuższy czas w tym samym

PL



Napełnianie zbiornika na wodę

miejscu, nawet jeśli jest ustawiony w odpowiedniej odległości od ścian czy mebli. Zalecane jest jego regularne czyszczenie. Wskazówki dotyczące czyszczenia można znaleźć w rozdziale 4.

- Należy unikać miejsc, w których produkt narażony jest na bezpośrednie działanie promieni słonecznych. Grozi to odbarwieniem produktu.
- Należy przemieścić urządzenie, jeżeli ma ono kontakt z telewizorem, radiem lub innymi urządzeniami elektrycznymi.
- Podczas przenoszenia urządzenie należy mocno trzymać u podstawy.
- Urządzenie nie posiada funkcji automatycznej regulacji wilgotności. W pomieszczeniach, gdzie panuje niska temperatura lub wysoki poziom wilgotności, mogą tworzyć się mokre plamy na podłodze, a para wodna może się skraplać.
- Poziom wilgotności należy dostosować przy pomocy przycisku regulującego emisję pary wodnej, biorąc pod uwagę miejsce, w którym znajduje się nawilżacz oraz poprzez podniesienie temperatury w pomieszczeniu lub wyłączenie urządzenia.

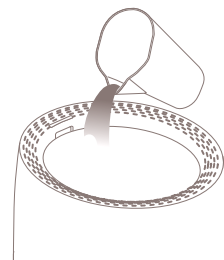
⚠ Uwaga: Przed wyjęciem zbiornika na wodę należy upewnić się, że zasilanie jest wyłączone.

- 1 Przez otwór na górze urządzenia nalej wodę z konewki.

ⓘ Uwaga: Wodę należy wlewać do zbiornika powoli oraz z możliwie najmniejszej odległości. Jeśli woda będzie nalewana szybko bądź z dużej wysokości, może przedostać się do wnętrza nawilżacza powodując jego uszkodzenie.

ⓘ Uwaga: Wodę należy uzupełniać używając w tym celu konewki. Strumień wody może być zbyt duży, jeśli woda będzie nalewana bezpośrednio z kranu, a to może skutkować przedostaniem się wody do wnętrza nawilżacza powodując jego uszkodzenie.

ⓘ Uwaga: Wodę należy wlewać do urządzenia w miejscu, gdzie będzie ono użytkowane. Woda może przedostać się do wnętrza nawilżacza powodując jego uszkodzenie podczas przenoszenia urządzenia po uzupełnieniu wody..

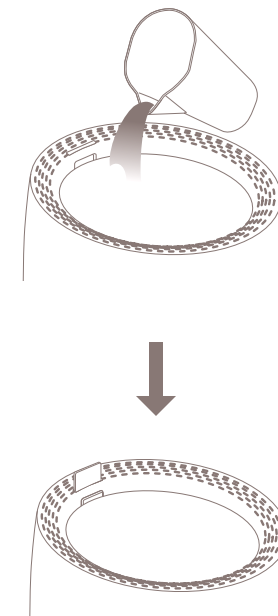


- 2 Przerwij nalewanie wody, jeśli przez otwór do nalewania wody jest zamknięty przez blokadę zbiornika na wodę.

ⓘ Uwaga: Jeśli woda będzie nalewana po zamknięciu otworu przez blokadę zbiornika na wodę, woda może się wylać i dostać się do urządzenia, co może spowodować awarię.

- 3 Uzupełnij poziom wody, jeśli wskaźnik zasilania / poziomu wody miga na czerwono.

⚠ Uwaga: Woda pozostaje w zbiorniku, nawet jeśli blokada otworu na wodę znika. Nawilżacza można dalej używać aż do momentu, gdy wskaźnik zasilania / poziomu wody nie zacznie migać na czerwono. Zbiornik należy uzupełnić wodą, gdy wskaźnik zasilania / poziomu wody zaczyna migać na czerwono.



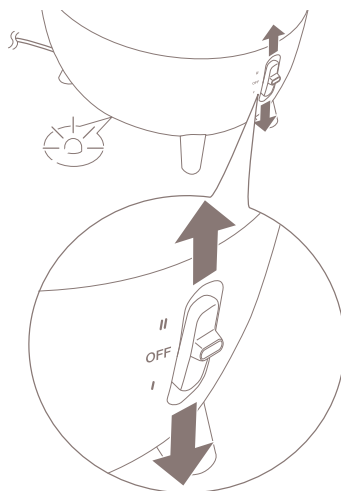
PL

Podłączanie produktu

- 1 Włóż wtyczkę do gniazdka ściennego.

ⓘ Uwaga:

- Nie należy podłączać urządzenia do prądu, odłączać go od zasilania ani dotykać mokrymi rękoma.
- Przed użyciem nawilżacza, szczególnie po uzupełnieniu wody w zbiorniku, należy dokładnie osuszyć ręce.
- Urządzenia nie należy podłączać używając w tym celu innych wtyczek czy przedłużaczy prostych i listwowych.
- Nie należy używać nawilżacza, gdy kabel zasilania jest splątany.



- 2 Przesuń przełącznik zasilania / emisji pary do góry lub do dołu, aby włączyć zasilanie.
- Gdy zasilanie jest włączone, miga wskaźnik zasilania / poziomu wody, a wiatrak zaczyna się obracać.
 - Gdy przełącznik zasilania / wilgotności jest ustawiony w pozycji II, poziom nawilżania powietrza jest ustawiony na maksimum. Gdy jest ustawiony w pozycji I, poziom nawilżania powietrza jest ustawiony na minimum.
 - Jeśli wskaźnik zasilania / poziomu wody miga na czerwono, a zasilanie jest włączone, oznacza to, że w nawilżaczu jest za mało

wody. Należy uzupełnić wodę (patrz rozdział 2) poprzez otwór na górze urządzenia.

- 3 Po zakończeniu pracy urządzenia przesuń przełącznik zasilania / nawilżania do pozycji OFF i wyjmij wtyczkę z gniazdka.

ⓘ **Uwaga:** Podczas wyjmowania wtyczki z gniazdka zawsze należy trzymać za wtyczkę. Pociąganie za kabel podczas wyjmowania wtyczki z gniazdka może spowodować uszkodzenie kabla.

Użycie olejków eterycznych

- 1 Zdejmij pokrywę górną i usuń filtr.

ⓘ **Uwaga:** Wykonując te czynności, pokrywę i filtr należy podnosić do góry w pozycji pionowej.

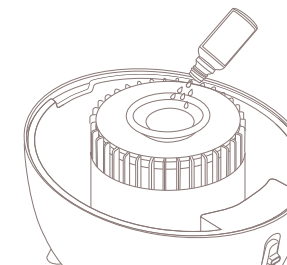
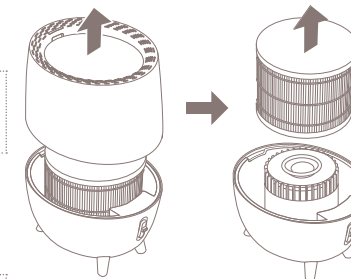
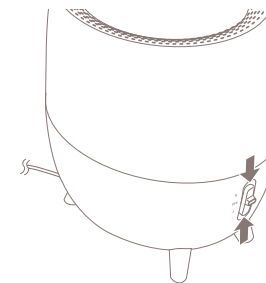
- 2 Wlej kilka kropli olejków eterycznych do zbiornika na olejki eteryczne.

ⓘ **Uwaga:** Do zbiornika na olejki eteryczne nie należy wlewać niczego prócz olejków.

ⓘ **Uwaga:** Olejków eterycznych nie należy wlewać do zbiornika na wodę.

ⓘ **Uwaga:** Kolor zbiornika na olejki eteryczne może się zmienić w zależności od koloru użytego olejku. Należy wziąć to pod uwagę.

- 3 Nałóż z powrotem filtr i pokrywę górną.



3. Funkcje

⚠ Uwaga: Należy zapoznać się z opisem produktu (rozdział 1).

1 Pokrywa górna

Pokrywa górna została skonstruowana w taki sposób, aby wyparowywane powietrze skutecznie się rozprzestrzeniało. W trakcie pracy urządzenia pokrywa górna musi zawsze znajdować się na urządzeniu. Pokrywę należy zawsze podnosić do góry pionowo.

2 Wskaźnik maksymalnego poziomu wody

Jeśli woda w zbiorniku przekracza określony poziom, wówczas pojawia się blokada zbiornika na wodę. Gdy zbiornik na wodę jest pełen, sygnalizuje to blokada zbiornika na wodę.

⚠ Uwaga: Woda pozostaje w zbiorniku, nawet jeśli blokada opada i znika. Nawilzacza można dalej używać aż do momentu, gdy wskaźnik zasilania / poziomu wody nie zacznie migać na czerwono. Zbiornik należy uzupełnić wodą, gdy wskaźnik zasilania / poziomu wody zaczyna migać na czerwono.

3 Otwór do nalewania wody

Woda wprowadzana jest do zbiornika od góry. Gdy zbiornik na wodę jest pełen, pojawiają się blokady zbiornika na wodę, a otwór do nalewania wody zamyka się.

⚠ Uwaga: Nie należy na siłę uzupełniać poziomu wody, jeśli otwór do nalewania wody jest zamknięty. Może to spowodować przeniknięcie wody do innych niż zbiornik części nawilzacza, co może skutkować awarią całego urządzenia.

4 Wtyczka

Wtyczkę należy podłączyć bezpośrednio do gniazdka ściennego.

5 Przełącznik zasilania / emisji pary

Jeśli przełącznik jest ustawiony w pozycji „nawilżanie II” (maksimum) lub „I” (minimum), urządzenie włącza się i zaczyna nawilżanie. Jeśli przełącznik jest ustawiony w pozycji OFF, urządzenie wyłącza się.

⚠ Uwaga: Podczas nawilżania powietrza nie jest wytwarzana żadna widoczna para, ponieważ urządzenie wykorzystuje proces ewaporacji.

6 Wskaźnik zasilania / poziomu wody

Świeci na biało, gdy zasilanie jest włączone oraz miga na czerwono, kiedy woda musi zostać uzupełniona.

7 Zbiornik na olejki eteryczne

Używaj tego zbiornika, aby dodać olejków eterycznych.

⚠ Uwaga: Olejki eteryczne nie są dołączone do zestawu.

8 Zbiornik na wodę

Gromadzi w urządzeniu wodę wlewaną przez górny otwór.

4. Konserwacja

⚠ Ważne: Przed przystąpieniem do prac konserwacyjnych należy upewnić się, że wtyczka jest wyjęta z gniazdka.

⚠ Ważne: Nie należy moczyć ani zanurzać wtyczki ani całego urządzenia w wodzie.

⚠ Ważne: Zalecana jest codzienna konserwacja, aby zapobiegać tworzeniu się bakterii i osadu wewnątrz zbiornika na wodę.

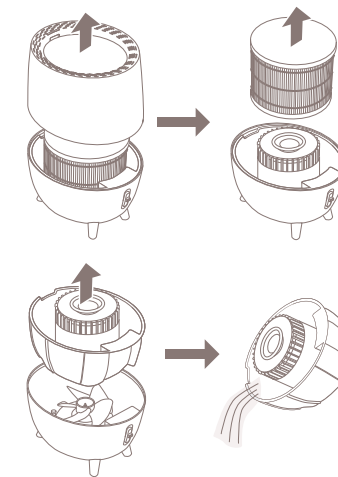
Codzienna konserwacja

Wodę ze zbiornika na wodę należy wymieniać na świeżą codziennie. Brud znajdujący się w wodzie lub osad mogą powodować rozwój bakterii lub pleśni, co może być przyczyną nieprzyjemnego zapachu lub może skutkować uszczerbkiem na zdrowiu.

Codziennie po zakończeniu pracy nawilzacza należy wykonać następujące czynności:

- 1 Przełącznik zasilania ustawić w pozycji OFF i wyjąć wtyczkę z gniazdka.
- 2 Zdjąć z urządzenia górną pokrywę i usunąć filtr.

⚠ Uwaga: Wykonując te czynności, pokrywę i filtr należy podnosić do góry w pozycji pionowej.



- 3 Wyjąć z urządzenia zbiornik na wodę i wyłączyć pozostającą w nim wodę.

⚠ Uwaga: Wiatrak może nadal obracać się, nawet jeśli zasilanie zostało odłączone. Należy upewnić się, że wiatrak całkowicie przestał się obracać. Pod żadnym pozorem nie należy dotykać obracającego się wiatraka.

⚠ Uwaga: Należy prawidłowo umieścić zbiornik na wodę z powrotem w urządzeniu. Jeśli zbiornik na wodę nie został umieszczony prawidłowo, zasilanie nie zostanie prawidłowo podłączone.

Konserwacja raz w tygodniu (filtr i całe urządzenie)

⚠ Uwaga: Jeśli urządzenie jest używane przez kilka kolejnych dni, następujące prace konserwacyjne należy przeprowadzać raz w tygodniu. Jeśli prace konserwacyjne tego typu nie zostaną przeprowadzone, wewnątrz urządzenia może pojawić się osad, który może skrócić czas funkcjonowania urządzenia lub doprowadzić do usterki. Ponadto, jeśli urządzenie jest użytkowane, a żadne prace konserwacyjne nie są przeprowadzane, może to spowodować rozwój bakterii i pleśni / nieprzyjemny zapach.

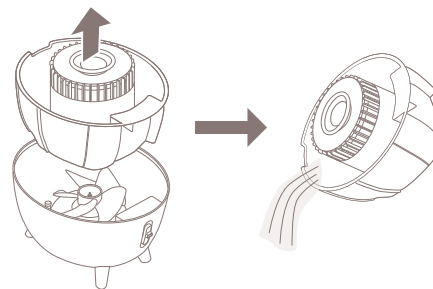
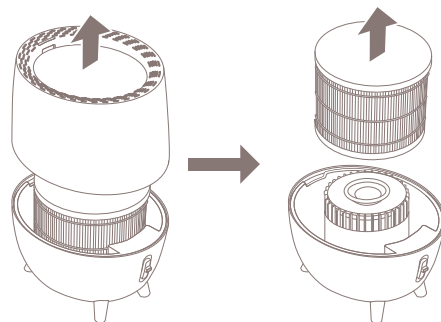
- 1 Przełącznik zasilania ustawić w pozycji OFF i wyjąć wtyczkę z gniazdka.
- 2 Zdjąć z urządzenia górną pokrywę i usunąć filtr.

⚠ Uwaga: Wykonując te czynności, pokrywę i filtr należy podnosić do góry w pozycji pionowej.

⚠ Uwaga: Z urządzenia należy wyjąć zbiornik na wodę i wyłączyć pozostającą w nim wodę.

⚠ Uwaga: Wiatrak może nadal obracać się, nawet jeśli zasilanie zostało odłączone. Nie należy dotykać obracającego się wiatraka.

⚠ Ważne: Przed ponownym użyciem, należy upewnić się, że filtr całkowicie wysychł.



- 3 Umyć zbiornik na wodę używając w tym celu delikatnej gąbki do mycia naczyń z dodatkiem płynu do mycia naczyń.
- 4 Dobrze wypłukać zbiornik na wodę, tak aby nie pozostały żadne ślady po płynie do mycia naczyń i dokładnie wysuszyć zbiornik na wodę.
- 5 Zanurzyć wyjęty filtr w letniej wodzie o temperaturze poniżej 40°C i po wyczyszczeniu go wysuszyć w miejscu o odpowiedniej wentylacji, bez bezpośredniego działania promieni słonecznych.
- 6 Miękką ściereczkę zamoczyć w letniej wodzie, potem wycisnąć ją, a następnie wytrzeć brud z wnętrza urządzenia.

⚠ Uwaga: Nie należy używać druczianych zmywaków, gąbek z melaminy, proszków ściernych czy rozpuszczalników takich jak: benzen, rozcieńczalnik, alkohol itp.

⚠ Uwaga: Należy upewnić się, że woda nie dostanie się do wiatraka. Ponadto wiatraka nie należy wycierać – nawet miękką ściereczką – jeśli jest ona zmoczona. Może to spowodować awarię.

⚠ Uwaga: Zbiornik na wodę należy poprawnie umieścić w urządzeniu. Jeśli zbiornik na wodę nie jest poprawnie umieszczony, zasilanie nie zostanie podłączone.

Konserwacja produktu przed przechowywaniem

Należy przeprowadzić następujące prace konserwacyjne przed przechowywaniem produktu:

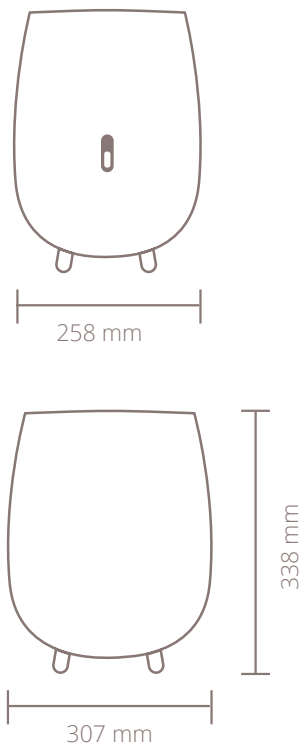
- 1 Należy wykonać te same czynności, co wymienione we fragmencie „Konserwacja raz w tygodniu”
- 2 Przed złożeniem urządzenia, wysuszyć każdą z jego części.
- 3 Sprawdzić, czy wszystkie części urządzenia, w tym także filtr, całkowicie wyschły. Następnie złożyć urządzenie i odstawić je do przechowywania.

Części zamienne

O części zamienne i akcesoria można poprosić w punkcie zakupu lub u lokalnego dystrybutora.

PL

5. Specyfikacje techniczne



Waga:
2.8 kg



Zużycie energii:
6-19W



Pojemność zbiornika na wodę:
2L



Powierzchnia nawilżania:
30m²



Emisja pary wodnej:
200ml/h



Maksymalny czas pracy:
10 godzin



Długość kabla zasilania:
1.5m



Główne materiały:
ABS, PP



Numer modelu:
DXHU01

Wygląd i specyfikacje urządzenia mogą ulegać zmianom bez wcześniejszego powiadomienia.

6. Często zadawane pytania

PYT: Jak często powinno się wymieniać filtr?

ODP: Zaleca się wymieniać filtr co 3-6 miesięcy, w zależności od stopnia twardości wody oraz ilości znajdującego się w niej wapnia. Po tym czasie filtr będzie mniej gorzej pochłaniał wodę, usuwał wapień i filtrował bakterie.

PYT: Wskaźnik zasilania / poziomu wody nie świeci się.

ODP: - Czy wtyczka jest podłączona do gniazdka?
- Czy nie odcięto zasilania?
- Czy zbiornik został prawidłowo włożony do urządzenia? Urządzenie nie włączy się, jeśli zbiornik na wodę został zainstalowany nieprawidłowo.

PYT: Wskaźnik zasilania / poziomu wody miga na czerwono.

ODP: Należy uzupełnić poziom wody. Wodę należy wlewać od góry.

PYT: Słychać dziwne dźwięki, kiedy urządzenie jest włączone.

ODP: Urządzenie tworzy mgiełkę przy pomocy wiatraka. Wiatrak obraca się cały czas w trakcie pracy urządzenia, więc czasami mogą być słyszalne odgłosy pracującego wiatraka.

PYT: Nie widać pary, mimo że urządzenie jest włączone.

ODP: Urządzenie nawilża powietrze wykorzystując proces ewaporacji, dlatego też para nie będzie widoczna.

PYT: Powietrze dziwnie pachnie.

ODP: - Czy wymienili Państwo wodę? Wodę należy wymieniać każdego dnia.
- Być może filtr jest brudny lub zużyty. Należy wrócić do fragmentu „Czyszczenie raz w tygodniu (filtr i całe urządzenie)” (rozdział 4) i / lub wymienić filtr.



Designed in The Netherlands bij Duux International BV. Made in P.R.C.
Duux International BV, P.O. Box 145, 5400 AC Uden Netherlands, www.duux.com

© 2016 Duux. All rights reserved.
DUUX® is a trademark of Duux International BV,
registered in the EU and other countries.
The brand cited belongs exclusively to the respective owners.

Specifications are subject to modification without notice.

DUUX®

