

# beko

## Refrigerator

User manual

## Kühlschrank/Gefrierschrank

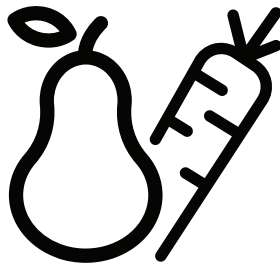
Bedienungsanleitung

## Koelkast

Gebruiksaanwijzing

## Réfrigérateur

Manuel d'utilisation



B 1802 - B 1800 HCA - B 1800 HCA W  
B 1800 HCB W - B 1810 HCA - B1803N

CE

EN / DE / NL / FR /

48 4129 0007/AY

1/2

## Please read this user manual first!

Dear Customer,

We hope that your product, which has been produced in modern plants and checked under the most meticulous quality control procedures, will provide you an effective service.

Therefore, read this entire user manual carefully before using the product and keep it as a reference. If you handover the product to someone else, give the user manual as well.

## The user manual will help you use the product in a fast and safe way.

- Read the manual before installing and operating the product.
- Make sure you read the safety instructions.
- Keep the manual in an easily accessible place as you may need it later.
- Read the other documents given with the product.

Remember that this user manual is also applicable for several other models. Differences between models will be identified in the manual.






## Explanation of symbols

### Throughout this user manual the following symbols are used:

 Important information or useful tips.

 Warning against dangerous conditions for life and property.

 Warning against electric voltage.

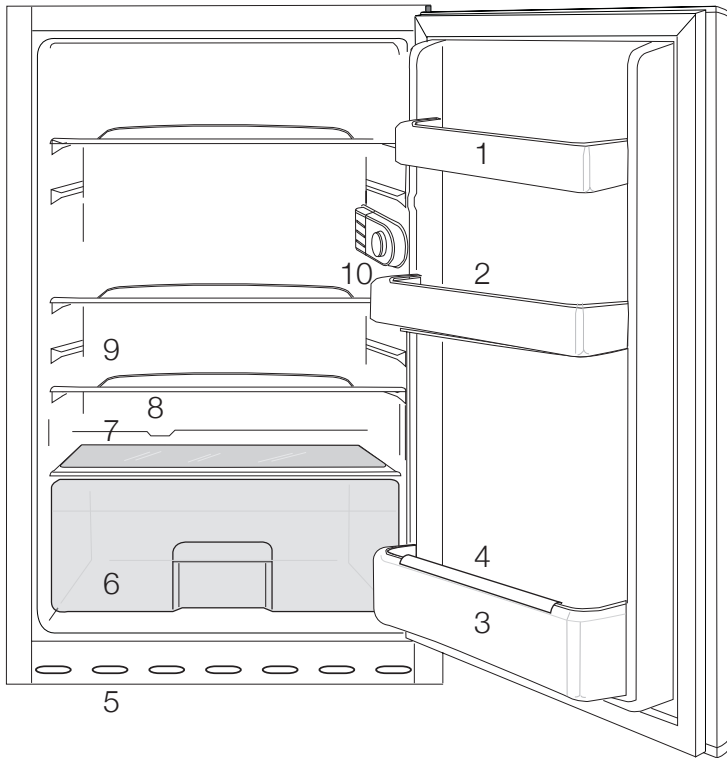
 <b>INFORMATION</b>	
 	The model information as stored in the product data base can be reached by entering following website and searching for your model identifier (*) found on energy label.
SUPPLIER'S NAME 	MODEL IDENTIFIER (*) 
<a href="https://eprel.ec.europa.eu/">https://eprel.ec.europa.eu/</a>	

## CONTENTS

---

<b>1 Your refrigerator</b>	<b>3</b>	<b>4 Preparation</b>	<b>14</b>
<b>2 Important Safety Warnings</b>	<b>4</b>	<b>5 Using your refrigerator</b>	<b>15</b>
Intended use .....	4	Using interior compartments	15
General safety .....	4	Cooling .....	15
For products with a .....	7	Defrost.....	16
water dispenser;.....	7		
Child safety .....	8		
Compliance with WEEE Directive and Disposing of the Waste Product: .....	8	<b>6 Maintenance and cleaning</b>	<b>17</b>
Package information.....	8	Protection of plastic surfaces .....	17
HC warning.....	8		
Things to be done for energy saving ...	9		
<b>3 Installation</b>	<b>10</b>		
Points to be paid attention to when the relocation of the refrigerator .....	10		
Electrical connection .....	10		
Disposing of the packaging.....	11		
Disposing of your old refrigerator .....	11		
Placing and Installation.....	11		
Changing the illumination lamp .....	11		
Reversing the doors .....	12		
Reversing the doors .....	13		

# 1 Your refrigerator



1. Door shelves
2. Egg tray
3. Bottle shelf
4. Bottle gripper
5. Air grill
6. Crisper
7. Crisper cover
8. Defrost water collection channel - Drain tube
9. Movable shelves
10. Interior light & Thermostat knob





**i** Figures that take place in this instruction manual are schematic and may not correspond exactly with your product. If the subject parts are not included in the product you have purchased, then it is valid for other models.

## 2 Important Safety Warnings

Please review the following information. Failure to observe this information may cause injuries or material damage. Otherwise, all warranty and reliability commitments will become invalid.

Original spare parts will be provided for 10 years, following the product purchasing date.

### Intended use

	<b>WARNING:</b> Keep ventilation openings, in the appliance enclosure or in the built-in structure, clear of obstruction.
	<b>WARNING:</b> Do not use mechanical devices or other means to accelerate the defrosting process, other than those recommended by the manufacturer.
	<b>WARNING:</b> Do not damage the refrigerant circuit.
	<b>WARNING:</b> Do not use electrical appliances inside the food storage compartments of the appliance, unless they are of the type recommended by the manufacturer.

### WARNING:



Do not store explosive substances such as aerosol cans with a flammable propellant in this appliance.

This appliance is intended to be used in household and similar applications such as

- staff kitchen areas in shops, offices and other working environments;
- farm houses and by clients in hotels, motels and other residential type environments;
- bed and breakfast type environments;
- catering and similar non-retail applications.

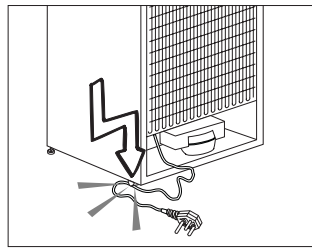
### General safety

- When you want to dispose/ scrap the product, we recommend you to consult the authorized service in order to learn the required information and authorized bodies.
- Consult your authorized service for all your questions and problems related to the refrigerator. Do not intervene or let someone intervene to the refrigerator without notifying the authorised services.

- For products with a freezer compartment; Do not eat cone ice cream and ice cubes immediately after you take them out of the freezer compartment! (This may cause frostbite in your mouth.)
- For products with a freezer compartment; Do not put bottled and canned liquid beverages in the freezer compartment. Otherwise, these may burst.
- Do not touch frozen food by hand; they may stick to your hand.
- Unplug your refrigerator before cleaning or defrosting.
- Vapor and vaporized cleaning materials should never be used in cleaning and defrosting processes of your refrigerator. In such cases, the vapor may get in contact with the electrical parts and cause short circuit or electric shock.
- Never use the parts on your refrigerator such as the door as a means of support or step.
- Do not use electrical devices inside the refrigerator.
- Do not damage the parts, where the refrigerant is circulating, with drilling or cutting tools. The refrigerant that might blow out when the gas channels of the evaporator, pipe extensions or surface coatings are punctured causes skin irritations and eye injuries.
- Do not cover or block the ventilation holes on your refrigerator with any material.
- Electrical devices must be repaired by only authorised persons. Repairs performed by incompetent persons create a risk for the user.
- In case of any failure or during a maintenance or repair work, disconnect your refrigerator's mains supply by either turning off the relevant fuse or unplugging your appliance.
- Do not pull by the cable when pulling off the plug.
- Ensure highly alcoholic beverages are stored securely with the lid fastened and placed upright.
- Never store spray cans containing flammable and explosive substances in the refrigerator.
- Do not use mechanical devices or other means to accelerate the defrosting process, other than those recommended by the manufacturer.
- This product is not intended to be used by persons with physical, sensory or mental disorders or unlearned or inexperienced people (including children) unless they are attended by a person who will be responsible for their safety or who will instruct them accordingly for use of the product

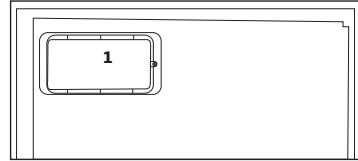
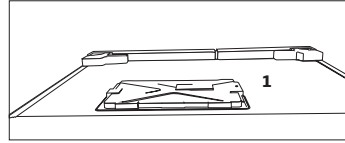
- Do not operate a damaged refrigerator. Consult with the service agent if you have any concerns.
- Electrical safety of your refrigerator shall be guaranteed only if the earth system in your house complies with standards.
- Exposing the product to rain, snow, sun and wind is dangerous with respect to electrical safety.
- Contact authorized service when there is a power cable damage to avoid danger.
- Never plug the refrigerator into the wall outlet during installation. Otherwise, risk of death or serious injury may arise.
- This refrigerator is intended for only storing food items. It must not be used for any other purpose.
- Label of technical specifications is located on the left wall inside the refrigerator.
- Never connect your refrigerator to electricity-saving systems; they may damage the refrigerator.
- If there is a blue light on the refrigerator, do not look at the blue light with optical tools.
- For manually controlled refrigerators, wait for at least 5 minutes to start the refrigerator after power failure.

- This operation manual should be handed in to the new owner of the product when it is given to others.
- Avoid causing damage on power cable when transporting the refrigerator. Bending cable may cause fire. Never place heavy objects on power cable. Do not touch the plug with wet hands when plugging the product



- Do not plug the refrigerator if the wall outlet is loose.
- Water should not be sprayed on inner or outer parts of the product for safety purposes.
- Do not spray substances containing inflammable gases such as propane gas near the refrigerator to avoid fire and explosion risk.
- Never place containers filled with water on top of the refrigerator; in the event of spillages, this may cause electric shock or fire.
- Do not overload the refrigerator with food. If overloaded, the food items may fall down and hurt you and damage refrigerator when you open the door.

- Never place objects on top of the refrigerator; otherwise, these objects may fall down when you open or close the refrigerator's door.
- As they require a precise temperature, vaccines, heat-sensitive medicine and scientific materials and etc. should not be kept in the refrigerator.
- If not to be used for a long time, refrigerator should be unplugged. A possible problem in power cable may cause fire.
- Refrigerator may move if adjustable legs are not properly secured on the floor. Properly securing adjustable legs on the floor can prevent the refrigerator to move.
- When carrying the refrigerator, do not hold it from door handle. Otherwise, it may be snapped.
- When you have to place your product next to another refrigerator or freezer, the distance between devices should be at least 8cm. Otherwise, adjacent side walls may be humidified.
- The product shall never be used while the compartment which is located at the top or back of your product and in which electronic boards are available (electronic board box cover) (1) is open.



### **For products with a ;water dispenser**

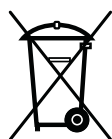
- Pressure for cold water inlet shall be maximum 90 psi (6.2 bar). If your water pressure exceeds 80 psi (5.5 bar), use a pressure limiting valve in your mains system. If you do not know how to check your water pressure, ask for the help of a professional plumber.
- If there is risk of water hammer effect in your installation, always use a water hammer prevention equipment in your installation. Consult Professional plumbers if you are not sure that there is no water hammer effect in your installation.
- Do not install on the hot water inlet. Take precautions against the risk of freezing of the hoses. Water temperature operating interval shall be 33°F (0.6°C) minimum and 100°F (38°C) maximum.



## Child safety

- If the door has a lock, the key should be kept away from reach of children.
- Children must be supervised to prevent them from tampering with the product.

## Compliance with WEEE Directive and Disposing of the Waste Product



This product complies with EU WEEE Directive (2012/19/EU). This product bears a classification symbol for waste electrical and electronic equipment (WEEE).

This product has been manufactured with high quality parts and materials which can be reused and are suitable for recycling. Therefore, do not dispose the product with normal domestic waste at the end of its service life. Take it to a collection point for the recycling of electrical and electronic equipment. Please consult your local authorities to learn the nearest collection point. Help protect the environment and natural resources by recycling used products. For children's safety, cut the power cable and break the locking mechanism of the door, if any, so that it will be non-functional before disposing of the product.

## Package information

Packaging materials of the product are manufactured from recyclable materials in accordance with our National Environment Regulations. Do not dispose of the packaging materials together with the domestic or other wastes. Take them to the packaging material collection points designated by the local authorities.

### Do not forget...

Any recycled substance is an indispensable matter for nature and our national asset wealth.

If you want to contribute to the re-evaluation of the packaging materials, you can consult to your environmentalist organizations or the municipalities where you are located.

## HC warning

### If your product's cooling system contains R600a:

This gas is flammable. Therefore, pay attention to not damaging the cooling system and piping during usage and transportation. In the event of damage, keep your product away from potential fire sources that can cause the product catch a fire and ventilate the room in which the unit is placed.

### Ignore this warning if your product's cooling system contains R134a.

Type of gas used in the product is stated in the type label which is on the left wall inside the refrigerator.

Never throw the product in fire for disposal.

## Things to be done for energy saving

- Do not leave the doors of your refrigerator open for a long time.
- Do not put hot food or drinks in your refrigerator.
- Do not overload your refrigerator so that the air circulation inside of it is not prevented.
- Do not install your refrigerator under direct sunlight or near heat emitting appliances such as ovens, dishwashers or radiators. Keep your refrigerator at least 30cm away from heat emitting sources and at least 5cm from electrical ovens.
- Pay attention to keep your food in closed containers.
- For products with a freezer compartment; You can store maximum amount of food items in the freezer when you remove the shelf or drawer of the freezer. Energy consumption value stated for your refrigerator has been determined by removing freezer shelf or drawer and under maximum load. There is no harm to use a shelf or drawer according to the shapes and size of food to be frozen.
- Thawing frozen food in fridge compartment will both provide energy saving and preserve the food quality.

## 3 Installation

⚠ In case the information which are given in the user manual are not taken into account, manufacturer will not assume any liability for this.

### Points to be paid attention to when the relocation of the refrigerator

1. Your refrigerator should be unplugged. Before transportation of your refrigerator, it should be emptied and cleaned.

2. Before it is re-packaged, shelves, accessories, crisper, etc. inside your refrigerator should be fixed with adhesive tape and secured against impacts. Package should be bound with a thick tape or sound ropes and the transportation rules on the package should be strictly observed.

3. Original packaging and foam materials should be kept for future transportations or moving.

Before you start the refrigerator, **Check the following before you start to use your refrigerator:**

1. Attach 2 plastic wedges as illustrated below. Plastic wedges are intended to keep the distance which will ensure the air circulation between your refrigerator and the wall. (The picture is drawn up as a representation and it is not identical with your product.)

2. Clean the interior of the refrigerator as recommended in the "Maintenance and cleaning" section.

3. Connect the plug of the refrigerator to the wall socket. When

the fridge door is opened, fridge internal lamp will turn on.

4. When the compressor starts to operate, a sound will be heard. The liquid and gases sealed within the refrigeration system may also give rise to noise, even if the compressor is not running and this is quite normal.

5. Front edges of the refrigerator may feel warm. This is normal. These areas are designed to be warm to avoid condensation.

### Electrical connection

Connect your product to a grounded socket which is being protected by a fuse with the appropriate capacity.

#### Important:

The connection must be in compliance with national regulations.

- The power plug must be easily accessible after installation.
- Electrical safety of your refrigerator shall be guaranteed only if the earth system in your house complies with standards.
- The voltage stated on the label located at left inner side of your product should be equal to your network voltage.
- Extension cables and multi plugs must not be used for connection.

⚠ A damaged power cable must be replaced by a qualified electrician.

⚠ Product must not be operated before it is repaired! There is the risk of electric shock!

## Disposing of the packaging

The packing materials may be dangerous for children. Keep the packing materials out of the reach of children or dispose of them by classifying them in accordance with the waste instructions stated by your local authorities. Do not throw away with regular house waste, throw away on packaging pick up spots designated by the local authorities.

The packing of your refrigerator is produced from recyclable materials.


## Disposing of your old refrigerator

Dispose of your old refrigerator without giving any harm to the environment.

- You may consult your authorized dealer or waste collection center of your municipality about the disposal of your refrigerator.

Before disposing of your refrigerator, cut out the electric plug and, if there are any locks on the door, make them inoperable in order to protect children against any danger.

## Placing and Installation

 If the entrance door of the room where the refrigerator will be installed is not wide enough for the refrigerator to pass through, then call the authorized service to have them remove the doors of your refrigerator and pass it sideways through the door.

**1.** Install your refrigerator to a place that allows ease of use.

**2.** Keep your refrigerator away from heat sources, humid places and direct sunlight.

**3.** There must be appropriate air ventilation around your refrigerator in order to achieve an efficient operation. If the refrigerator is to be placed in a recess in the wall, there must be at least 5 cm distance with the ceiling and at least 5 cm with the wall. Do not place your product on the materials such as rug or carpet.

**4.** Place your refrigerator on an even floor surface to prevent jolts.

## Changing the illumination lamp

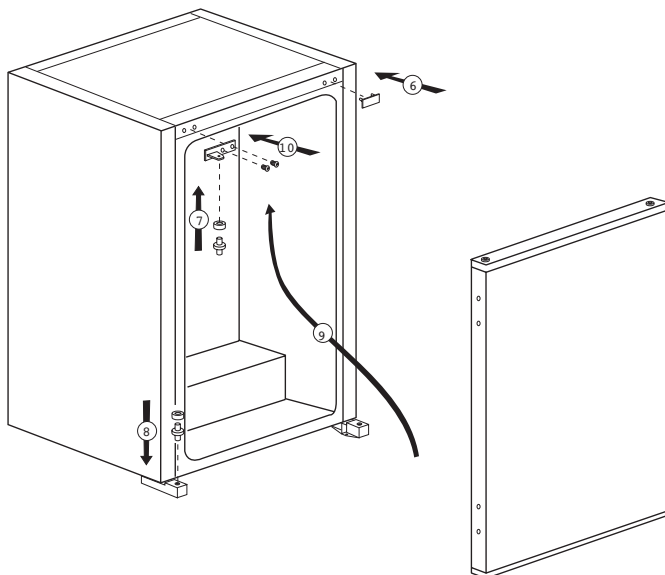
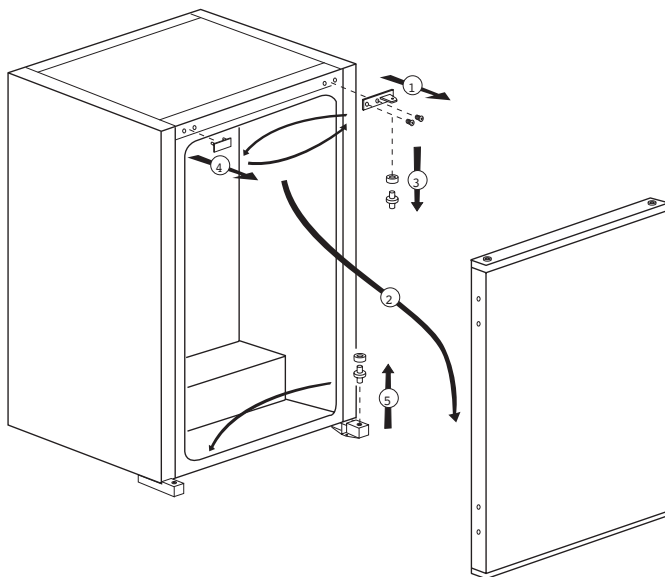
To change the Bulb/LED used for illumination of your refrigerator, call your AuthorisedService.

The lamp(s) used in this appliance is not suitable for household room illumination. The intended purpose of this lamp is to assist the user to place foodstuffs in the refrigerator/freezer in a safe and comfortable way. The lamps used in this appliance have to withstand extreme physical conditions such as temperatures below -20 °C.

(only chest and upright freezer)

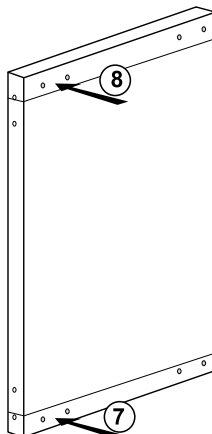
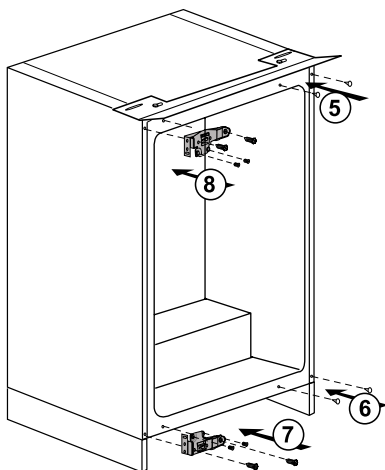
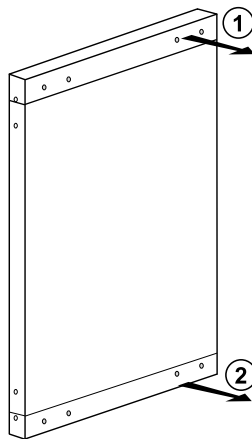
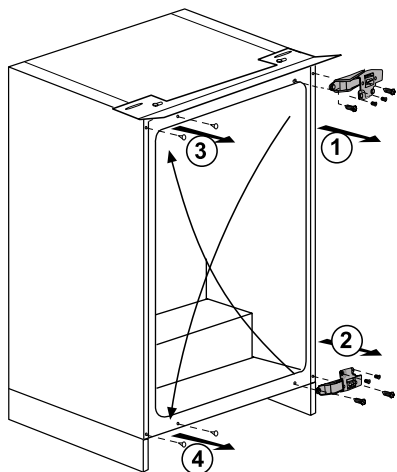
# Reversing the doors

Proceed in numerical order



# Reversing the doors

Proceed in numerical order



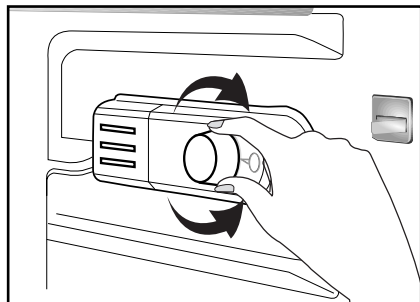
**B1802 F**

## 4 Preparation

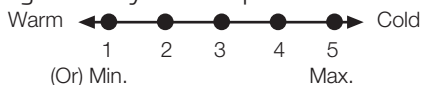
---

- Your refrigerator should be installed at least 30 cm away from heat sources such as hobs, ovens, central heater and stoves and at least 5 cm away from electrical ovens and should not be located under direct sunlight.
- The ambient temperature of the room where you install your refrigerator should at least be 10°C. Operating your refrigerator under cooler conditions is not recommended with regard to its efficiency.
- Please make sure that the interior of your refrigerator is cleaned thoroughly.
- If two refrigerators are to be installed side by side, there should be at least 2 cm distance between them.
- When you operate your refrigerator for the first time, please observe the following instructions during the initial six hours.
- The door should not be opened frequently.
- It must be operated empty without any food in it.
- Do not unplug your refrigerator. If a power failure occurs out of your control, please see the warnings in the "Recommended solutions for the problems" section.
- Original packaging and foam materials should be kept for future transportations or moving.
- The baskets/drawers that are provided with the chill compartment must always be in use for low energy consumption and for better storage conditions.
- Food contact with the temperature sensor in the freezer compartment may increase energy consumption of the appliance. Thus any contact with the sensor(s) must be avoided.
- In some models, the instrument panel automatically turns off 5 minutes after the door has closed. It will be reactivated when the door has opened or pressed on any key.
- Due to temperature change as a result of opening/closing the product door during operation, condensation on the door/body shelves and the glass containers is normal

## 5 Using your refrigerator



Setting the operating temperature  
The operating temperature is regulated by the temperature control.



**1 = Lowest cooling setting  
(Warmest setting)**

**5 = Highest cooling setting  
(Coldest setting)**

(Or)

**Min. = Lowest cooling setting  
(Warmest setting)**

**Max. = Highest cooling setting  
(Coldest setting)**

The average temperature inside the fridge should be around +5°C.

Please choose the setting according to the desired temperature.

Please note that there will be different temperatures in the cooling area.

The coldest region is immediately above the vegetable compartment.

The interior temperature also depends on ambient temperature, the frequency with which the door is opened and the amount of foods kept inside.

Frequently opening the door causes the interior temperature to rise.

For this reason, it is recommended to close the door again as soon as possible after use.

### Using interior compartments

Movable shelves: Distance between the shelves can be adjusted when necessary.

Vegetable drawer: Vegetables and fruits can be stored in this compartment for long periods without decaying.

Bottle shelf: Bottles, jars and tins can be placed in these shelves.

### Cooling

#### Food storage

The fridge compartment is for the short-term storage of fresh food and drinks.

Store milk products in the intended compartment in the refrigerator.

Bottles can be stored in the bottle holder or in the bottle shelf of the door.

Raw meat is best kept in a polyethylene bag in the compartment at the very bottom of the refrigerator.

Allow hot foods and beverages to cool to room temperature prior to placing them in the refrigerator.

- Attention

Store concentrated alcohol only standing upright and tightly closed.

- Attention

Do not store explosive substances or containers with flammable propellant gases (canned cream, spray cans etc.) in the device. There is a danger of explosion.



## **Defrost**

The fridge compartment defrosts automatically. The thawing water flows through the drain channel into a collection container at the rear of the device.

During defrosting, water droplets form at the back of the fridge due to the evaporator.

If not all of the drops run down, they may freeze again after defrosting remove them with a cloth soaked in warm water, but never with a hard or sharp object.

## 6 Maintenance and cleaning

---

- ⚠ Never use gasoline, benzene or similar substances for cleaning purposes.
- ⚠ We recommend that you unplug the appliance before cleaning.
- ⚠ Never use any sharp abrasive instrument, soap, household cleaner, detergent and wax polish for cleaning.
- ⚠ For non-No Frost products, water drops and frosting up to a fingerbreadth occur on the rear wall of the Fridge compartment. Do not clean it; never apply oil or similar agents on it.
- ⚠ Only use slightly damp microfiber cloths to clean the outer surface of the product. Sponges and other types of cleaning cloths may scratch the surface.
- ℹ Use lukewarm water to clean the cabinet of your refrigerator and wipe it dry.
- ℹ Use a damp cloth wrung out in a solution of one teaspoon of bicarbonate of soda to one pint of water to clean the interior and wipe it dry.
- ⚠ Make sure that no water enters the lamp housing and other electrical items.
- ⚠ If your refrigerator is not going to be used for a long period of time, unplug the power cable, remove all food, clean it and leave the door ajar.
- ℹ Check door seals regularly to ensure they are clean and free from food particles.
- ⚠ To remove door racks, remove all the contents and then simply push the door rack upwards from the base.
- ⚠ Never use cleaning agents or water that contain chlorine to clean the outer surfaces and chromium coated parts of the product. Chlorine causes corrosion on such metal surfaces.
- ⚠ Do not use sharp, abrasive tools, soap, household cleaning agents, detergents, kerosene, fuel oil, varnish etc. to prevent removal and deformation of the prints on the plastic part. Use lukewarm water and a soft cloth for cleaning and then wipe it dry.

### Protection of plastic surfaces

- ℹ Do not put the liquid oils or oil-cooked meals in your refrigerator in unsealed containers as they damage the plastic surfaces of your refrigerator. In case of spilling or smearing oil on the plastic surfaces, clean and rinse the relevant part of the surface at once with warm water.

## 7 Troubleshooting

Please review this list before calling the service. It will save your time and money. This list includes frequent complaints that are not arising from defective workmanship or material usage. Some of the features described here may not exist in your product.

### The refrigerator does not operate.

- The plug is not inserted into the socket correctly. >>> Insert the plug into the socket securely.
- The fuse of the socket which your refrigerator is connected to or the main fuse have blown out. >>> Check the fuse.

### Condensation on the side wall of the fridge compartment (MULTIZONE, COOL CONTROL and FLEXI ZONE).

- Door has been opened frequently. >>> Do not open and close the door of refrigerator frequently.
- Ambient is very humid. >>> Do not install your refrigerator into highly humid places.
- Food containing liquid is stored in open containers. >>> Do not store food with liquid content in open containers.
- Door of the refrigerator is left ajar. >>> Close the door of the refrigerator.
- Thermostat is set to a very cold level. >>> Set the thermostat to a suitable level.

### Compressor is not running

- Protective thermic of the compressor will blow out during sudden power failures or plug-out plug-ins as the refrigerant pressure in the cooling system of the refrigerator has not been balanced yet. The refrigerator will start running approximately after 6 minutes. Please call the service if the refrigerator does not startup at the end of this period.
- The fridge is in defrost cycle. >>> This is normal for a full-automatically defrosting refrigerator. Defrosting cycle occurs periodically.
- The refrigerator is not plugged into the socket. >>> Make sure that the plug is fit into the socket.
- Temperature settings are not made correctly. >>> Select the suitable temperature value.
- There is a power outage. >>> Refrigerator returns to normal operation when the power restores.

### The operation noise increases when the refrigerator is running.

- The operating performance of the refrigerator may change due to the changes in the ambient temperature. It is normal and not a fault.

The refrigerator is running frequently or for a long time.

- New product may be wider than the previous one. Larger refrigerators operate for a longer period of time.
- The room temperature may be high. >>>It is normal that the product operates for longer periods in hot ambient.
- The refrigerator might be plugged in recently or might be loaded with food. >>>When the refrigerator is plugged in or loaded with food recently, it will take longer for it to attain the set temperature. This is normal.
- Large amounts of hot food might be put in the refrigerator recently. >>>Do not put hot food into the refrigerator.
- Doors might be opened frequently or left ajar for a long time. >>>The warm air that has entered into the refrigerator causes the refrigerator to run for longer periods. Do not open the doors frequently.
- Freezer or fridge compartment door might be left ajar. >>>Check if the doors are closed completely.
- The refrigerator is adjusted to a very low temperature. >>>Adjust the refrigerator temperature to a warmer degree and wait until the temperature is achieved.
- Door seal of the fridge or freezer may be soiled, worn out, broken or not properly seated. >>>Clean or replace the seal. Damaged/broken seal causes the refrigerator to run for a longer period of time in order to maintain the current temperature.

Freezer temperature is very low while the fridge temperature is sufficient.

- The freezer temperature is adjusted to a very low value. >>>Adjust the freezer temperature to a warmer degree and check.

Fridge temperature is very low while the freezer temperature is sufficient.

- The fridge temperature is adjusted to a very low value. >>>Adjust the fridge temperature to a warmer degree and check.

Food kept in the fridge compartment drawers is frozen.

- The fridge temperature is adjusted to a very high value. >>>Adjust the fridge temperature to a lower value and check.

Temperature in the fridge or freezer is very high.

- The fridge temperature is adjusted to a very high value.  
>>> Fridge compartment temperature setting has an effect on the temperature of the freezer. Change the temperatures of the fridge or freezer and wait until the relevant compartments attain a sufficient temperature.
- Doors are opened frequently or left ajar for a long time. >>> Do not open the doors frequently.
- Door is ajar. >>> Close the door completely.
- The refrigerator is plugged in or loaded with food recently.  
>>> This is normal. When the refrigerator is plugged in or loaded with food recently, it will take longer for it to attain the set temperature.
- Large amounts of hot food might be put in the refrigerator recently.  
>>> Do not put hot food into the refrigerator.

Vibrations or noise.

- The floor is not level or stable.  
>>> If the refrigerator rocks when moved slowly, balance it by adjusting its feet. Also make sure that the floor is strong enough to carry the refrigerator, and level.
- The items put onto the refrigerator may cause noise.  
>>> Remove the items on top of the refrigerator.

There are noises coming from the refrigerator like liquid flowing, spraying, etc.

- Liquid and gas flows occur in accordance with the operating principles of your refrigerator. It is normal and not a fault.

Whistle comes from the refrigerator.

- Fans are used in order to cool the refrigerator. It is normal and not a fault.

Condensation on the inner walls of refrigerator.

- Hot and humid weather increases icing and condensation. It is normal and not a fault.
- Doors are opened frequently or left ajar for a long time. >>> Do not open the doors frequently. Close them if they are open.
- Door is ajar. >>> Close the door completely.

Humidity occurs on the outside of the refrigerator or between the doors.

- There might be humidity in the air; this is quite normal in humid weather. When the humidity is less, condensation will disappear.

#### Bad odour inside the refrigerator.

- No regular cleaning is performed.  
>>>Clean the inside of the refrigerator regularly with a sponge, lukewarm water or carbonate dissolved in water.
- Some containers or package materials may cause the smell.  
>>>Use a different container or different brand packaging material.
- Food is put into the refrigerator in uncovered containers. >>>Keep the food in closed containers. Microorganisms spreading out from uncovered containers can cause unpleasant odours.
- Remove the foods that have expired best before dates and spoiled from the refrigerator.

#### The door is not closing.

- Food packages are preventing the door from closing.  
>>>Replace the packages that are obstructing the door.
- The refrigerator is not completely even on the floor. >>>Adjust the feet to balance the refrigerator.
- The floor is not level or strong.  
>>>Make sure that the floor is level and capable to carry the refrigerator.

#### Crispers are stuck.

- The food is touching the ceiling of the drawer. >>>Rearrange food in the drawer.

#### If The Surface Of The Product Is Hot.

- High temperatures may be observed between the two doors, on the side panels and at the rear grill while the product is operating. This is normal and does not require service maintenance!

## **DISCLAIMER / WARNING**

Some (simple) failures can be adequately handled by the end-user without any safety issue or unsafe use arising, provided that they are carried out within the limits and in accordance with the following instructions (see the “Self-Repair” section).

Therefore, unless otherwise authorized in the “Self-Repair” section below, repairs shall be addressed to registered professional repairers in order to avoid safety issues. A registered professional repairer is a professional repairer that has been granted access to the instructions and spare parts list of this product by the manufacturer according to the methods described in legislative acts pursuant to Directive 2009/125/EC.

**However, only the service agent (i.e. authorized professional repairers) that you can reach through the phone number given in the user manual/ warranty card or through your authorized dealer may provide service under the guarantee terms. Therefore, please be advised that repairs by professional repairers (who are not authorized by Beko) shall void the guarantee.**

## **Self-Repair**

Self-repair can be done by the end-user with regard to the following spare parts: door handles, door hinges, trays, baskets and door gaskets (an updated list is also available in support.beko.com as of 1st March 2021).

Moreover, to ensure product safety and to prevent risk of serious injury, the mentioned self-repair shall be done following the

instructions in the user manual for self-repair or which are available in support.beko.com. For your safety, unplug the product before attempting any self-repair.

Repair and repair attempts by end-users for parts not included in such list and/ or not following the instructions in the user manuals for self-repair or which are available in support.beko.com, might give raise to safety issues not attributable to Beko, and will void the warranty of the product.

Therefore, it is highly recommended that end-users refrain from the attempt to carry out repairs falling outside the mentioned list of spare parts, contacting in such cases authorized professional repairers or registered professional repairers. On the contrary, such attempts by end-users may cause safety issues and damage the product and subsequently cause fire, flood, electrocution and serious personal injury to occur.

By way of example, but not limited to, the following repairs must be addressed to authorized professional repairers or registered professional repairers: compressor, cooling circuit, main board, inverter board, display board, etc.

The manufacturer/seller cannot be held liable in any case where end-users do not comply with the above.

The spare part availability of the refrigerator that you purchased is 10 years.

During this period, original spare parts will be available to operate the refrigerator properly

The minimum duration of guarantee of the refrigerator that you purchased is 24 months.

This product is equipped with a lighting source of the "G" energy class.  
The lighting source in this product shall only be replaced by professional repairers.



## Bitte lesen Sie zuerst diese Anleitung!

Lieber Kunde,

Wir sind sicher, dass Ihnen dieses Produkt, das in modernsten Fertigungsstätten hergestellt und den strengsten Qualitätsprüfungen unterzogen wurde, lange Zeit gute Dienste leisten wird.

Wir empfehlen Ihnen, vor Inbetriebnahme des Gerätes das gesamte Handbuch durchzulesen und es anschließend aufzubewahren.

### Diese Anleitung...

- hilft Ihnen, Ihr Gerät schnell und sicher zu bedienen.
- Lesen Sie die Anleitung, bevor Sie Ihr Gerät aufstellen und bedienen.
- Halten Sie sich an die Anweisungen, beachten Sie insbesondere die Sicherheitshinweise.
- Bewahren Sie die Anleitung an einem leicht zugänglichen Ort auf, damit Sie jederzeit darin nachschlagen können.
- Lesen Sie auch die weiteren Dokumente, die mit Ihrem Produkt geliefert wurden.
- Bitte beachten Sie, dass diese Anleitung eventuell auch für andere Geräte eingesetzt werden kann.

### Symbole und ihre Bedeutung

In dieser Anleitung finden Sie die folgenden Symbole:



Wichtige Informationen oder nützliche Tipps.



Warnung vor Verletzungen oder Sachschäden.



Warnung vor elektrischem Strom.

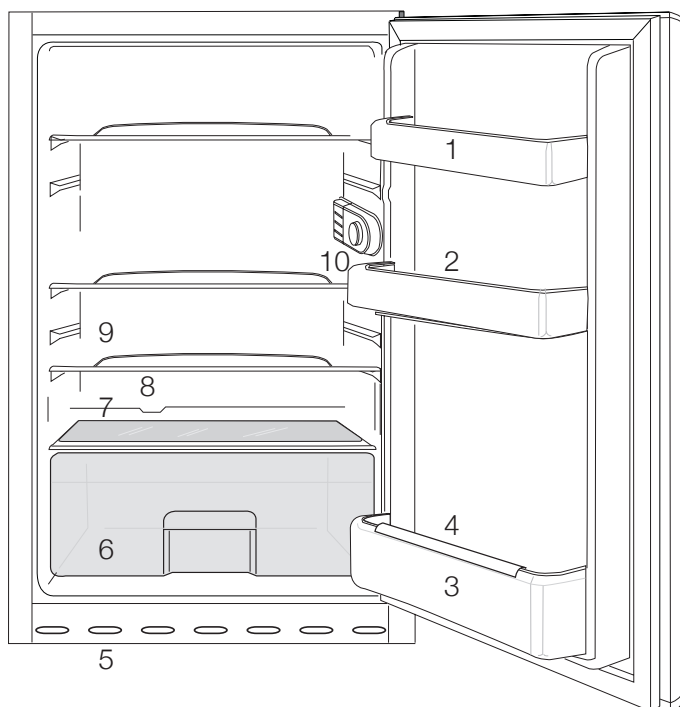
<b>ANGABEN</b>	
<b>ENERGY</b>	Die Modellinformationen, wie sie in der Produktdatenbank gespeichert sind, können durch Eingabe der folgenden Webseite und Suche nach Ihrer Modellkennung (*) auf dem Energieetikett erreicht werden. <a href="https://eprel.ec.europa.eu/">https://eprel.ec.europa.eu/</a>
SUPPLIER'S NAME 	

# INHALT

---

<b>1 Ihr Kühlschrank</b>	<b>3</b>	<b>4 Vorbereitung</b>	<b>16</b>
<b>2 Wichtige Sicherheitshinweise</b>	<b>4</b>	<b>5 Nutzung des Kühlschranks</b>	<b>17</b>
Bestimmungsgemäßer Einsatz.....	4	Einstellen der Betriebstemperatur.....	17
Allgemeine Hinweise zu Ihrer Sicherheit .....	4	Die Betriebstemperatur wird über die Temperatursteuerung reguliert. ....	17
Bei Geräten mit Wasserspender: .....	8	Innenfächer verwenden.....	17
Kinder - Sicherheit .....	8	Kühlen .....	17
Erfüllung von WEEE-Vorgaben zur Entsorgung von Altgeräten: .....	9	Abtauen.....	18
Hinweise zur Verpackung .....	9	<b>6 Wartung und Reinigung</b>	<b>19</b>
HC-Warnung.....	9	Schutz der Kunststoffflächen .....	20
Tipps zum Energiesparen .....	9	<b>7 Problemlösung</b>	<b>21</b>
<b>3 Installation</b>	<b>11</b>		
Wenn Sie den Kühlschrank versetzen möchten:.....	11		
Vor dem Einschalten.....	11		
Elektrischer Anschluss.....	11		
Verpackungsmaterialien entsorgen... ..	12		
Altgeräte entsorgen.....	12		
Aufstellung und Installation .....	12		
Beleuchtung auswechseln .....	13		
Türanschlag umkehren .....	14		
Türanschlag umkehren .....	15		

# 1 Ihr Kühlschrank



1. Türablagen
2. Eierbehälter
3. Flaschenablage
4. Flaschenhalter
5. Lüftungsgitter
6. Gemüsefach
7. Gemüsefachabdeckung
8. Tauwassersammelkanal - Abflusskanal
9. Bewegliche Ablagen
10. Innenbeleuchtung und Thermostatknop




**i** Abbildungen und Angaben in dieser Anleitung sind schematisch und können etwas von Ihrem Produkt abweichen. Falls Teile nicht zum Lieferumfang des erworbenen Gerätes zählen, gelten sie für andere Modelle.



## 2 Wichtige Sicherheitshinweise

Bitte lesen Sie die folgenden Hinweise aufmerksam durch. Bei Nichtbeachtung dieser Angaben kann es zu Verletzungen und Sachschäden kommen. In diesem Fall erlöschen auch sämtliche Garantie- und sonstigen Ansprüche.

Originalersatzteile stehen für einen Zeitraum von 10 Jahre beginnend mit dem Kaufdatum zur Verfügung.

### Bestimmungsgemäßer Einsatz

	<b>ACHTUNG:</b> Stellen Sie sicher, dass wenn das Gerät in seinem Gehäuse oder platziert ist, die Entlüftungsöffnungen nicht blockiert werden.
	<b>ACHTUNG:</b> Um den Auftauvorgang zu beschleunigen, keine anderen mechanischen Geräte oder Geräte verwenden, die nicht vom Hersteller empfohlen sind.
	<b>ACHTUNG:</b> Dem Kühlmittelkreislauf keine Schäden zufügen.

	<b>ACHTUNG:</b> In den ebensmittelaufbewahrungsfächern keine elektrischen Geräte verwenden, die nicht vom Hersteller empfohlen sind.
	<b>WARNUNG:</b> Lagern Sie keinerlei explosiven Substanzen (dazu zählen auch Sprühdosen mit brennbarem Treibmittel) im Gerät.

Dieses Gerät ist für die private Nutzung oder für den Gebrauch bei folgenden ähnlichen Anwendungen konzipiert wurden

- In Personalküchen in Geschäften, Büros und anderen Arbeitsumgebungen;
- In Bauernhöfen, Hotels, Motels und anderen Unterkünften, für den Gebrauch der Kunden;
- Umgebungen mit Übernachtung und Frühstück;
- Bei Catering und ähnlichen Non-Retail-Anwendungen.

### Allgemeine Hinweise zu Ihrer Sicherheit

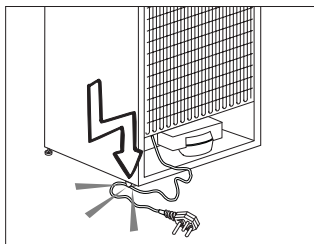
- Wenn Sie das Gerät entsorgen möchten, wenden Sie sich am besten an den autorisierten Kundendienst. Hier erhalten Sie notwendige Informationen

- und erfahren, welche Stellen für die Entsorgung zuständig sind.
- Bei Problemen und Fragen zum Gerät wenden Sie sich grundsätzlich an den autorisierten Kundendienst. Ziehen Sie keine Dritten zu Rate, versuchen Sie nichts in Eigenregie, ohne den autorisierten Kundendienst davon in Kenntnis zu setzen.
  - Bei Geräten mit Tiefkühlbereich: Der Verzehr von Speiseeis und Eiswürfeln unmittelbar nach der Entnahme aus dem Tiefkühlbereich ist nicht ratsam. (Dies kann zu Erfrierungen führen.)
  - Bei Geräten mit Tiefkühlbereich: Bewahren Sie Getränke in Flaschen sowie Dosen niemals im Tiefkühlbereich auf. Diese platzen.
  - Berühren Sie gefrorene Lebensmittel nicht mit der Hand; sie können festfrieren.
  - Trennen Sie Ihren Kühlschrank vor dem Reinigen oder Abtauen vom Stromnetz.
  - Verwenden Sie niemals Dampf- oder Sprühreiniger zum Reinigen und Abtauen Ihres Kühlschranks. Die Dämpfe oder Nebel können in Kontakt mit stromführenden Teilen geraten und Kurzschlüsse oder Stromschläge auslösen.
  - Missbrauchen Sie niemals Teile Ihres Kühlschranks (z. B. Tür) als Befestigungen oder Kletterhilfen.
  - Nutzen Sie keine elektrischen Geräte innerhalb des Kühlschranks.
  - Achten Sie darauf, den Kühlkreislauf keinesfalls mit Bohr- oder Schneidwerkzeugen zu beschädigen. Das Kühlmittel kann herausspritzen, wenn die Gaskanäle des Verdunsters, Rohr- und Schlauchleitungen oder Oberflächenversiegelungen beschädigt werden. Dies kann zu Hautreizungen und Augenverletzungen führen.
  - Decken Sie keinerlei Belüftungsöffnungen des Kühlschranks ab.
  - Elektrische Geräte dürfen nur von autorisierten Fachkräften repariert werden. Reparaturen durch weniger kompetente Personen können erhebliche Gefährdungen des Anwenders verursachen.
  - Sollten Fehler oder Probleme während der Wartung oder Reparaturarbeiten auftreten, so trennen Sie den Kühlschrank von der Stromversorgung, indem Sie die entsprechende Sicherung abschalten oder den Netzstecker ziehen.
  - Ziehen Sie niemals am Netzkabel – ziehen Sie direkt am Stecker.

- Achten Sie darauf, hochprozentige Getränke stehend und mit fest verschlossenem Deckel zu lagern.
- Bewahren Sie niemals Sprühdosen mit brennbaren und explosiven Substanzen im Kühlschrank auf.
- Nutzen Sie keine mechanischen oder anderen Hilfsmittel, um das Gerät abzutauen – es sei denn, solche Hilfsmittel werden ausdrücklich vom Hersteller empfohlen.
- Dieses Produkt darf nicht von Personen (einschließlich Kindern) mit eingeschränkten physischen, sensorischen oder geistigen Fähigkeiten bedient werden, sofern sie nicht durch eine Person, die für ihre Sicherheit verantwortlich ist, in der Bedienung des Produktes angeleitet werden.
- Nehmen Sie einen beschädigten Kühlschrank nicht in Betrieb. Wenden Sie sich bei jeglichen Zweifeln an einen Kundendienstmitarbeiter.
- Die elektrische Sicherheit des Gerätes ist nur dann gewährleistet, wenn das hausinterne Erdungssystem den zutreffenden Normen entspricht.
- Setzen Sie das Gerät keinem Regen, Schnee, direktem Sonnenlicht oder Wind aus; dies kann die elektrische Sicherheit gefährden.
- Wenden Sie sich zur Vermeidung von Gefahren an den autorisierten Kundendienst, falls das Netzkabel beschädigt ist.
- Stecken Sie während der Installation niemals den Netzstecker ein. Andernfalls kann es zu schweren bis tödlichen Verletzungen kommen.
- Dieser Kühlschrank dient nur der Aufbewahrung von Lebensmitteln. Für andere Zwecke sollte er nicht verwendet werden.
- Das Etikett mit den technischen Daten befindet sich an der linken Innenwand des Kühlschranks.
- Schließen Sie Ihren Kühlschrank niemals an energiesparende Systeme an; dies kann den Kühlschrank beschädigen.
- Falls sich ein blaues Licht am Kühlschrank befindet, blicken Sie nicht längere Zeit mit bloßem Augen oder optischen Werkzeugen hinein.
- Bei manuell gesteuerten Kühlschränken warten Sie mindestens 5 Minuten, bevor Sie den Kühlschrank nach einem Stromausfall wieder einschalten.
- Falls Sie das Gerät an einen anderen Besitzer weitergeben,

vergessen Sie nicht, die Bedienungsanleitung ebenfalls auszuhändigen.

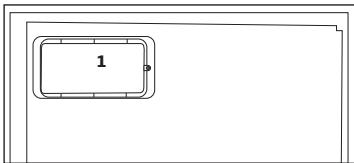
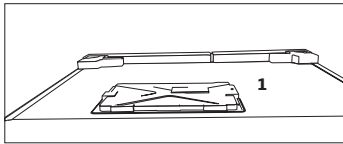
- Achten Sie darauf, dass das Netzkabel beim Transport des Kühlschranks nicht beschädigt wird. Übermäßiges Biegen des Kabels birgt Brandgefahr. Platzieren Sie keine schweren Gegenstände auf dem Netzkabel.
- Berühren Sie den Netzstecker niemals mit feuchten oder gar nassen Händen.



- Schließen Sie den Kühlschrank nicht an lose Steckdosen an.
- Sprühen Sie aus Sicherheitsgründen niemals Wasser auf die Innen- und Außenflächen des Gerätes.
- Sprühen Sie keine Substanzen mit brennbaren Gasen, wie z. B. Propangas, in die Nähe des Kühlschranks; andernfalls bestehen Brand- und Explosionsgefahr.
- Stellen Sie keine mit Wasser gefüllten Gegenstände auf den Kühlschrank; dies birgt Brand- und Stromschlaggefahr.

- Überladen Sie das Gerät nicht mit Lebensmitteln. Wenn das Gerät überladen ist, können beim Öffnen der Kühlschranktür Lebensmittel herausfallen und Verletzungen verursachen.
- Stellen Sie keinesfalls Gegenstände auf den Kühlschrank; sie könnten beim Öffnen oder Schließen der Kühlschranktür herunterfallen.
- Materialien wie beispielsweise Impfstoffe, wärmeempfindliche Arznei, wissenschaftliche Proben usw. sollten nicht im Kühlschrank aufbewahrt werden, da sie bei exakt festgelegten Temperaturen gelagert werden müssen.
- Trennen Sie den Kühlschrank vom Stromnetz, wenn er längere Zeit nicht benutzt wird. Ein mögliches Problem im Netzkabel kann einen Brand auslösen.
- Wenn die höhenverstellbaren Füße nicht sicher auf dem Boden stehen, kann sich der Kühlschrank bewegen. Die angemessene Sicherung der höhenverstellbaren Füße am Boden kann eine Bewegung des Kühlschranks verhindern.
- Halten Sie den Kühlschrank beim Tragen nicht am Türgriff. Andernfalls könnte er abbrechen.

- Wenn Sie Ihr Produkt neben einem anderen Kühl- oder Gefrierschrank aufstellen möchten, sollte der Abstand zwischen beiden Geräten mindestens 8 cm betragen. Andernfalls können die benachbarten Seitenwände feucht werden.
- Benutzen Sie das Gerät niemals, wenn die sich auf der Oberseite bzw. auf der Rückseite befindlichen Bereiche mit den elektronischen Leitern im Inneren geöffnet sind (Abdeckung der elektronischen Leiterplatten) (1).



### Bei Geräten mit :Wasserspender

- Der Druck für die Kaltwasserzufuhr sollte maximal 90 psi (6,2 bar) betragen. Wenn der Wasserdruck in Ihrem Haushalt 80 psi (5,5 bar) übersteigt, verwenden Sie bitte ein Druckbegrenzungsventil in Ihrem Leitungssystem.

Sollten Sie nicht wissen, wie der Wasserdruck gemessen wird, ziehen Sie bitte einen Fachinstallateur hinzu.

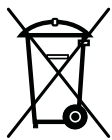
- Sollte für Ihr Leitungssystem das Risiko eines Wasserschlags (Druckstoß) bestehen, verwenden Sie stets eine geeignete Druckstoßsicherung. Wenden Sie sich bitte an einen Fachinstallateur, falls Sie sich über die Wasserschlaggefährdung in Ihrem Leitungssystem nicht sicher sein sollten.
- Nutzen Sie niemals die Warmwasserzufuhr für den Einbau. Treffen Sie geeignete Vorsichtsmaßnahmen zum Schutz der Leitungen gegen mögliches Einfrieren. Die für den Betrieb zulässige Wassertemperatur liegt im Bereich von mindestens 0,6°C (33°F) bis hin zu maximal 38°C (100°F).
- Nur Trinkwasser verwenden.

### Kinder - Sicherheit

- Bei abschließbaren Türen bewahren Sie den Schlüssel außerhalb der Reichweite von Kindern auf.
- Achten Sie darauf, dass Kinder nicht mit dem Produkt spielen.



## Erfüllung von WEEE-Vorgaben zur Entsorgung :von Altgeräten



Dieses Produkt erfüllt die Vorgaben der EU-WEEE-Direktive (2012/19/EU).

Das Produkt wurde mit einem Klassifizierungssymbol für elektrische und

elektronische Altgeräte (WEEE) gekennzeichnet.

Dieses Gerät wurde aus hochwertigen Materialien hergestellt, die wiederverwendet und recycelt werden können. Entsorgen Sie das Gerät am Ende seiner Einsatzzeit nicht mit dem regulären Hausmüll; geben Sie es stattdessen bei einer Sammelstelle zur Wiederverwertung von elektrischen und elektronischen Altgeräten ab. Ihre Stadtverwaltung informiert Sie gerne über geeignete Sammelstellen in Ihrer Nähe.

## Hinweise zur Verpackung

Die Verpackungsmaterialien des Gerätes wurden gemäß nationalen Umweltschutzbestimmungen aus recyclingfähigen Materialien hergestellt. Entsorgen Sie Verpackungsmaterialien nicht mit dem regulären Hausmüll oder anderen Abfällen. Bringen Sie Verpackungsmaterialien zu geeigneten Sammelstellen; Ihre Stadtverwaltung berät Sie gern.

## Nicht vergessen!

Recycelte Materialien leisten einen wichtigen Beitrag zu einer schönen und gesunden Umwelt.

Wenn Sie zur Wiederverwertung von Verpackungsmaterialien beitragen

möchten, informieren Sie sich bei Ihren Umweltschutzbehörden oder der Stadtverwaltung, wo entsprechende Sammelstellen zu finden sind.

## HC-Warnung

### Falls das Kühlsystem Ihres Produktes R600a enthält:

Dieses Gas ist leicht entflammbar. Achten Sie also darauf, Kühlkreislauf und Leitungen während Betrieb und Transport nicht zu beschädigen. Bei Beschädigungen halten Sie das Produkt von potenziellen Zündquellen (z. B. offenen Flammen) fern und sorgen für eine gute Belüftung des Raumes, in dem das Gerät aufgestellt wurde.

### Ignorieren Sie diese Warnung, falls das Kühlsystem Ihres Produktes R134a enthält.

Die Art des im Gerät eingesetzten Gases wird auf dem Typenschild an der linken Innenwand des Kühlschranks angegeben.

Entsorgen Sie das Produkt keinesfalls durch Verbrennen.

## Tipps zum Energiesparen

- Halten Sie die Kühlschrankschürzen nur möglichst kurz geöffnet.
- Geben Sie keine warmen Speisen oder Getränke in den Kühlschrank.
- Überladen Sie den Kühlschrank nicht; die Luft muss frei zirkulieren können.
- Stellen Sie den Kühlschrank nicht im direkten Sonnenlicht oder in der Nähe von Wärmequellen wie Öfen, Spülmaschinen oder Heizkörpern auf. Halten Sie den Kühlschrank mindestens 30 cm von Wärmequellen und mindestens 5 cm von elektrischen Öfen entfernt.

- Achten Sie darauf, Ihre Lebensmittel in verschlossenen Behältern aufzubewahren.
- Bei Geräten mit Tiefkühlbereich: Sie können noch mehr Lebensmittel einlagern, wenn Sie die Ablage oder Schublade aus dem Tiefkühlbereich herausnehmen. Der für Ihren Kühlschrank angegebene Energieverbrauch wurde nach dem Entfernen der Ablage oder Schublade und bei maximaler Beladung bestimmt. Ansonsten ist es Ihnen freigestellt, die Ablage oder Schublade zu verwenden.
- Das Auftauen von gefrorenen Lebensmitteln im Kühlbereich ist energiesparend und bewahrt die Qualität der Lebensmittel.

## 3 Installation

 Der Hersteller haftet nicht, falls die Angaben in dieser Anleitung nicht berücksichtigt werden.

### Wenn Sie den Kühlschrank versetzen möchten

1. Ziehen Sie zuvor den Netzstecker. Der Kühlschrank sollte geleert und gesäubert werden, bevor Sie ihn transportieren oder versetzen.
2. Sichern Sie die beweglichen Teile im Inneren (z. B. Ablagen, Zubehör, Gemüsefach etc.) vor dem Verpacken mit Klebeband, schützen Sie solche Teile vor Stößen. Umwickeln Sie die Verpackung mit kräftigem Klebeband oder stabilen Schnüren, beachten Sie die Transporthinweise auf der Verpackung.
4. Originalverpackung und Schaumstoffmaterialien sollten zum zukünftigen Transport des Gerätes aufbewahrt werden.

### Vor dem Einschalten

Beachten Sie Folgendes, bevor Sie Ihren Kühlschrank benutzen:

1. Bringen Sie die beiden Kunststoffkeile wie nachstehend abgebildet an. Die Kunststoffkeile sorgen für den nötigen Abstand zwischen Kühlschrank und Wand, damit die Luft frei zirkulieren kann. (Die Abbildung dient lediglich zur Orientierung und kann daher etwas von Ihrem Gerät abweichen.)

2. Bitte bringen Sie die beiden Kunststoffkeile wie in der Abbildung gezeigt an. Die Kunststoffkeile sorgen für den richtigen Abstand zwischen Kühlschrank und Wand – und damit für die richtige Luftzirkulation. (Die Abbildung dient lediglich zur Orientierung und muss nicht exakt mit Ihrem Gerät übereinstimmen.)
3. Reinigen Sie das Innere des Kühlschranks wie im Abschnitt „Wartung und Reinigung“ beschrieben.
4. Schließen Sie den Netzstecker des Kühlschranks an eine Steckdose an. Beim Öffnen der Tür leuchtet die Innenbeleuchtung auf.
5. Beim Anspringen des Kompressors sind Geräusche zu hören. Die Flüssigkeiten und Gase im Kühlsystem können auch leichte Geräusche erzeugen, wenn der Kompressor nicht läuft. Dies ist völlig normal.
6. Die Vorderkanten des Kühlgerätes können sich warm anfühlen. Dies ist normal. Diese Bereiche wärmen sich etwas auf, damit sich kein Kondenswasser bildet.


### Elektrischer Anschluss


Schließen Sie das Gerät an eine geerdete (Schuko-) Steckdose an. Diese Steckdose muss mit einer passenden Sicherung abgesichert werden.

Wichtig:

- Der Anschluss muss gemäß lokaler Vorschriften erfolgen.

- Der Netzstecker muss nach der Installation frei zugänglich bleiben.
- Die elektrische Sicherheit des Gerätes ist nur dann gewährleistet, wenn das hausinterne Erdungssystem den zutreffenden Normen entspricht.
- Die auf dem Typenschild an der linken Innenwand des Gerätes angegebene Spannung muss mit Ihrer Netzspannung übereinstimmen.
- **Zum Anschluss dürfen keine Verlängerungskabel oder Mehrfachsteckdosen verwendet werden.**

 Ein beschädigtes Netzkabel muss unverzüglich durch einen qualifizierten Elektriker ausgetauscht werden.

 Das Gerät darf vor Abschluss der Reparaturen nicht mehr betrieben werden! Es besteht Stromschlaggefahr!

## Verpackungsmaterialien entsorgen

Das Verpackungsmaterial kann eine Gefahr für Kinder darstellen. Halten Sie Verpackungsmaterialien von Kindern fern oder entsorgen Sie das Verpackungsmaterial gemäß gültigen Entsorgungsbestimmungen. Entsorgen Sie das Verpackungsmaterial über geeignete Sammelstellen (Ihre Stadtverwaltung informiert Sie gerne), nicht über den regulären Hausmüll.

Die Verpackung Ihres Gerätes wurde aus recyclingfähigen Materialien hergestellt.


## Altgeräte entsorgen

Entsorgen Sie Altgeräte auf umweltfreundliche Weise.

- Bei Fragen zur richtigen Entsorgung wenden Sie sich bitte an Ihren Händler, an eine Sammelstelle oder an Ihre Stadtverwaltung.

Bevor Sie das Gerät entsorgen, schneiden Sie den Netzstecker ab und machen die Türverschlüsse (sofern vorhanden) unbrauchbar, damit Kinder nicht in Gefahr gebracht werden.

## Aufstellung und Installation

 Falls die Tür des Raumes, in dem der Kühlschrank aufgestellt werden soll, nicht breit genug ist, wenden Sie sich an den autorisierten Kundendienst, lassen die Kühlschranktüren demontieren und befördern das Gerät seitlich durch die Tür.

1. Stellen Sie Ihren Kühlschrank an einer gut erreichbaren Stelle auf.
2. Platzieren Sie den Kühlschrank nicht in der Nähe von Wärmequellen oder dort, wo er Feuchtigkeit oder direktem Sonnenlicht ausgesetzt ist.

3. Damit das Gerät richtig arbeiten kann, müssen Sie ausreichend Platz um das Gerät herum freilassen, damit eine ordentliche Belüftung gewährleistet ist. Wenn Sie den Kühlschrank in einer Nische aufstellen, müssen Sie einen Abstand von mindestens 5 cm zur Decke und 5 cm zu den Wänden einhalten. Stellen Sie das Gerät nicht auf Materialien wie Teppichen oder Teppichböden auf.
4. Stellen Sie Ihren Kühlschrank auf einem ebenen Untergrund auf, damit er nicht wackelt.

## **Beleuchtung auswechseln**

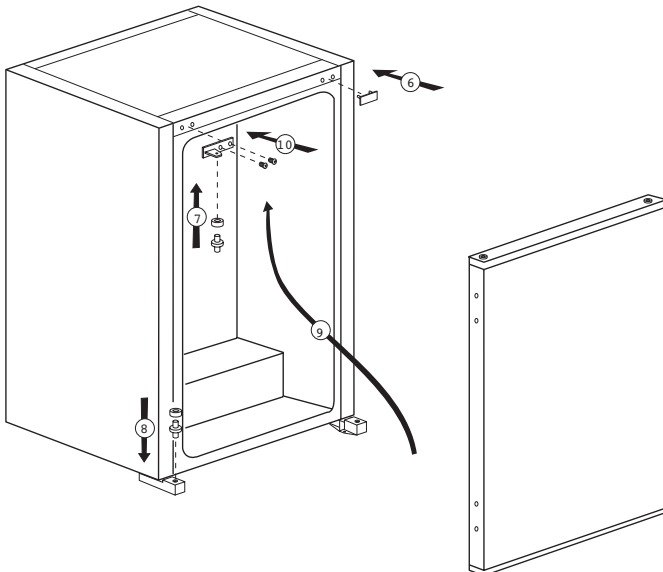
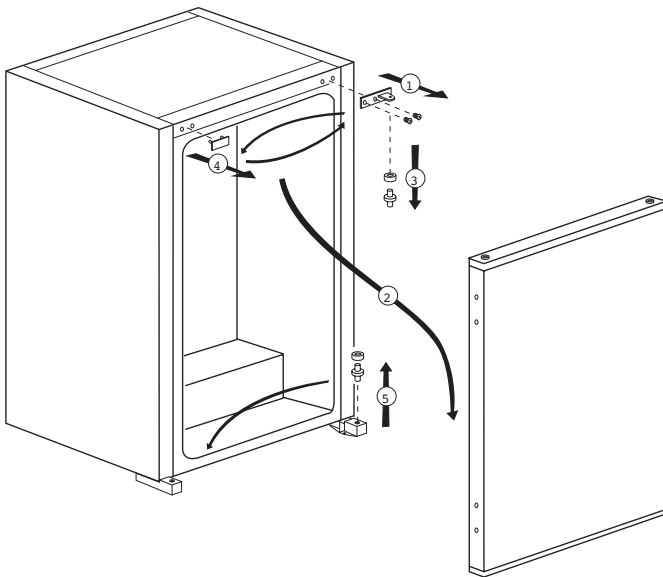
Die Innenbeleuchtung Ihres Kühlschranks sollte ausschließlich vom autorisierten Kundendienst ausgetauscht werden.

Die Glühbirnen für dieses Haushaltsgerät sind für Beleuchtungszwecke nicht geeignet. Die beabsichtigte Aufgabe dieser Lampe ist es den Benutzer zu ermöglichen die Plazierung der Lebensmittel in den Kühlschrank / Eiskühltruhe sicher und bequem vorzunehmen.

Die in diesem Gerät verwendeten Lampen müssen extremen physikalischen Bedingungen, wie z. B. Temperaturen von  $-20^{\circ}\text{C}$ , standhalten.

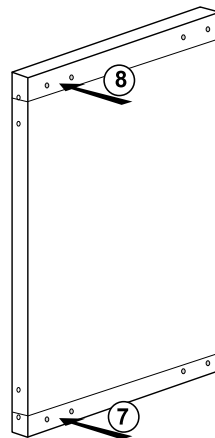
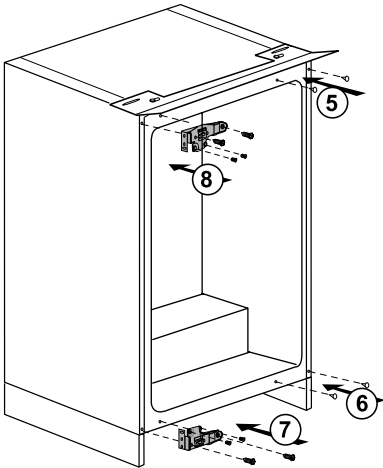
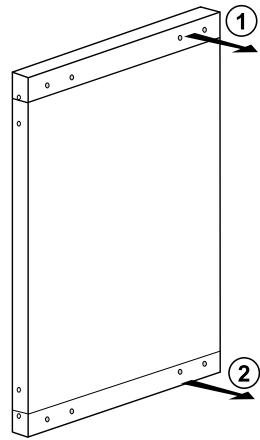
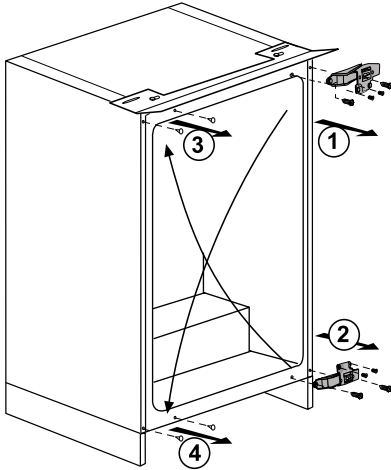
# Türanschlag umkehren

Gehen Sie der Reihe nach vor.



# Türanschlag umkehren

Gehen Sie der Reihe nach vor.



**B1802 F**

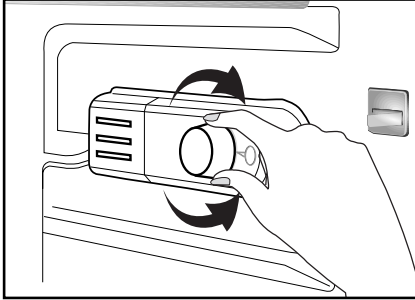
## 4 Vorbereitung

---

- i** Ihr Kühlschrank sollte mindestens 30 cm von Hitzequellen wie Kochstellen, Öfen, Heizungen, Herden und ähnlichen Einrichtungen aufgestellt werden. Halten Sie mindestens 5 cm Abstand zu Elektroöfen ein, vermeiden Sie die Aufstellung im direkten Sonnenlicht.
- i** Die Zimmertemperatur des Raumes, in dem der Kühlschrank aufgestellt wird, sollte mindestens 10 °C betragen. Im Hinblick auf den Wirkungsgrad ist der Betrieb des Kühlschranks bei geringerer Umgebungstemperatur nicht ratsam.
- i** Sorgen Sie dafür, dass das Innere Ihres Kühlschranks gründlich gereinigt wird.
- i** Falls zwei Kühlschränke nebeneinander aufgestellt werden sollen, achten Sie darauf, dass sie mindestens 2 cm voneinander entfernt platziert werden.
- i** Wenn Sie den Kühlschrank zum ersten Mal in Betrieb nehmen, halten Sie sich bitte an die folgenden Anweisungen für die ersten sechs Betriebsstunden.
  - Die Kühlschranktür sollte nicht zu häufig geöffnet werden.
  - Der Kühlschrank muss zunächst vollständig leer arbeiten.
  - Ziehen Sie nicht den Netzstecker. Falls der Strom ausfallen sollte, beachten Sie die Warnhinweise im Abschnitt „Empfehlungen zur Problemlösung“.
- i** Originalverpackung und Schaumstoffmaterialien sollten zum zukünftigen Transport des Gerätes aufbewahrt werden.

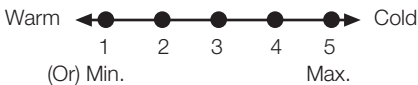


## 5 Nutzung des Kühlschranks



### Einstellen der Betriebstemperatur

**Die Betriebstemperatur wird über die Temperatursteu­erung reguliert**



**1 = Schwächste Kühlung (wärmste Einstellung)**

**5 = Stärkste Kühlung (kälteste Einstellung)**

(Oder)

**Min. = Schwächste Kühlung**  
(wärmste Einstellung)

**Max. = Stärkste Kühlung**  
(kälteste Einstellung)

Die Durchschnittstemperatur im Inneren des Kühlschranks sollte bei etwa +5 °C liegen.

Bitte wählen Sie die der gewünschten Temperatur entsprechende Einstellung.

Bitte beachten Sie, dass im Kühlbereich unterschiedliche Temperaturen herrschen.

Der kälteste Bereich befindet sich unmittelbar über dem Gemüsefach.

Die Innentemperatur hängt auch von der Umgebungstemperatur ab, außerdem davon, wie oft die Tür geöffnet wird und wie viel Lebensmittel im Inneren gelagert werden.

Beim häufigen Öffnen der Tür steigt die Innentemperatur an.

Aus diesem Grund empfehlen wir, die Tür möglichst schnell wieder zu schließen.

### Innenfächer verwenden

**Bewegliche Ablagen:** Den Abstand dieser Ablagen können Sie nach Bedarf anpassen.

**Gemüsefach:** Dieses Fach eignet sich zur längeren Lagerung von Gemüse und Früchten.

**Flaschenablage:** Diese Ablagen nutzen Sie für Flaschen, Gläser und Dosen.

### Kühlen

#### Lagern von Lebensmitteln

Der Kühlbereich ist für die kurzfristige Lagerung von frischen Lebensmitteln und Getränken vorgesehen.

Lagern Sie Milchprodukte im dafür vorgesehenen Bereich des Kühlschranks.

Flaschen können Sie im Flaschenhalter oder in der Flaschenablage der Tür aufbewahren.

Rohes Fleisch geben Sie am besten in einen Polyethylen-Beutel (PE) und lagern es im untersten Bereich des Kühlschranks.

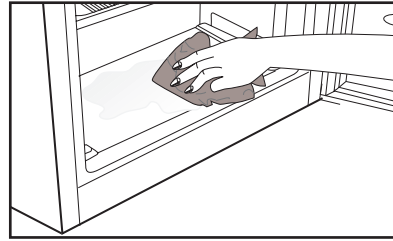
Lassen Sie heiße Speisen und Getränke immer erst auf Raumtemperatur abkühlen, bevor Sie diese in den Kühlschrank stellen.

- Achtung

Lagern Sie hochprozentigen Alkohol nur aufrecht stehend und fest verschlossen.

- Achtung

Lagern Sie keine explosiven Substanzen oder Behälter mit brennbaren Treibgasen (Sprühsahne, Sprühdosen usw.) im Kühlgerät. Es besteht Explosionsgefahr.



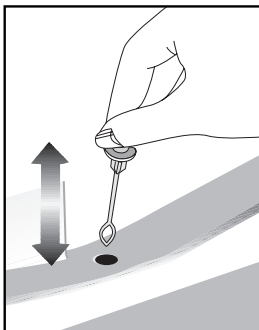
## Abtauen

Der Kühlbereich taut automatisch ab. Das Tauwasser fließt durch den Abflusskanal in einen Sammelbehälter an der Rückseite des Gerätes.

Beim Abtauen bilden sich durch Verdunstung Wassertröpfchen an der Rückwand des Kühlschranks.














Falls nicht alle Tropfen nach unten ablaufen, können sie nach dem Abtauen wieder gefrieren. Entfernen Sie diese Rückstände mit einem mit warmem Wasser getränkten Tuch, niemals mit harten oder gar scharfen Gegenständen.

Kontrollieren Sie den Tauwasserfluss von Zeit zu Zeit. Dieser kann gelegentlich zum Stocken kommen.



## 6 **Wartung und Reinigung**

---

-  Verwenden Sie zu Reinigungszwecken niemals Benzin oder ähnliche Substanzen.
-  Wir empfehlen, vor dem Reinigen den Netzstecker zu ziehen.
-  Verwenden Sie zur Reinigung niemals scharfe Gegenstände, Seife, Haushaltsreiniger, Waschmittel oder Wachspolituren.
-  Bei nicht eisfreien Geräten bilden sich Wassertropfen an der Rückwand des Kühlfaches, die zu einer fingerdicken Eisschicht gefrieren können. Nicht beseitigen, nicht reinigen, niemals Öl oder andere Mittel auftragen.
-  Reinigen Sie die Außenflächen des Gerätes nur mit einem leicht angefeuchteten Mikrofasertuch. Schwämme und andere Reinigungshilfen können die Oberfläche verkratzen.
-  Reinigen Sie das Gehäuse des Gerätes mit lauwarmem Wasser, wischen Sie die Flächen danach trocken.
-  Zur Reinigung des Innenraums verwenden Sie ein feuchtes Tuch, das Sie in eine Lösung aus 1 Teelöffel Natron und einem halben Liter Wasser getaucht und ausgewrungen haben. Nach dem Reinigen wischen Sie den Innenraum trocken.
-  Achten Sie darauf, dass kein Wasser in das Lampengehäuse oder andere elektrische Komponenten eindringt.
-  Wenn Ihr Kühlgerät längere Zeit nicht benutzt wird, ziehen Sie den Netzstecker, nehmen alle Lebensmittel heraus, reinigen das Gerät und lassen die Türe geöffnet.
-  Kontrollieren Sie die Türdichtungen regelmäßig, um sicherzustellen, dass diese sauber und frei von Speiseresten sind.
-  Zum Entfernen einer Türablage räumen Sie sämtliche Gegenständen aus der Ablage und schieben diese dann nach oben heraus.
-  Verwenden Sie zur Reinigung der Außenflächen und Chrombeschichteten Produktteile niemals Reinigungsmittel oder Wasser, die/das Chlor enthält. Chlor lässt Metalloberflächen korrodieren.
-  Verwenden Sie keine spitzen oder scheuernde Gegenstände, Seifen, Reinigungsmittel bzw. Chemikalien, sowie auch kein Benzin, keine Benzole bzw. Wachse usw. Andernfalls werden die Einprägungen auf den Plasteteilen möglicherweise beschädigt oder deformiert. Verwenden Sie warmes Wasser und einen weichen Lappen zum anschließenden Trockenreiben.

## Schutz der Kunststoffflächen

- i** Geben Sie keine Öle oder stark fetthaltige Speisen offen in Ihren Kühlschrank / Gefrierschrank – dadurch können die Kunststoffflächen angegriffen werden. Sollten die Plastikoberflächen einmal mit Öl in Berührung kommen, so reinigen Sie die entsprechenden Stellen umgehend mit warmem Wasser.

## 7 Problemlösung

Bitte arbeiten Sie diese Liste durch, bevor Sie sich an den Kundendienst wenden. Dies kann Ihnen Zeit und Geld sparen. In der Liste finden Sie häufiger auftretende Probleme, die nicht auf Verarbeitungs- oder Materialfehler zurückzuführen sind. Nicht alle hier beschriebenen Funktionen sind bei jedem Modell verfügbar.

### Der Kühlschrank arbeitet nicht.

- Der Netzstecker ist nicht richtig eingesteckt. >>> Stecken Sie den Netzstecker bis zum Anschlag in die Steckdose.
- Die entsprechende Haussicherung ist herausgesprungen oder durchgebrannt. >>> Überprüfen Sie die Sicherung.

### Kondensation an den Seitenwänden des Kühlbereiches (Multizone, Kühlkontrolle und FlexiZone).

- Die Tür wurde häufig geöffnet. >>> Verzichten Sie auf häufiges Öffnen der Kühlschranktür.
- Die Luftfeuchtigkeit in der Umgebung ist zu hoch. >>> Stellen Sie Ihren Kühlschrank nicht an Orten mit hoher Luftfeuchtigkeit auf.
- Lebensmittel mit hohem Flüssigkeitsanteil werden in offenen Behältern aufbewahrt. >>> Bewahren Sie Lebensmittel mit hohem Flüssigkeitsanteil nicht in offenen Behältern auf.
- Die Kühlschranktür steht offen. >>> Schließen Sie die Kühlschranktür.
- Das Thermostat ist auf eine sehr geringe Temperatur eingestellt. >>> Stellen Sie das Thermostat entsprechend nach.

### Der Kompressor läuft nicht.

- Eine Schutzschaltung stoppt den Kompressor bei kurzzeitigen Unterbrechungen der Stromversorgung und wenn das Gerät zu oft und schnell ein- und ausgeschaltet wird, da der Druck des Kühlmittels eine Weile lang ausgeglichen werden muss. Der Kühlschrank beginnt nach etwa sechs Minuten wieder zu arbeiten. Bitte wenden Sie sich an den Kundendienst, falls Ihr Kühlschrank nach Ablauf dieser Zeit nicht wieder zu arbeiten beginnt.
- Der Kühlschrank taut ab. >>> Dies ist bei einem vollautomatisch abtauenden Kühlschrank völlig normal. Das Gerät taut von Zeit zu Zeit ab.
- Der Netzstecker ist nicht eingesteckt. >>> Überprüfen Sie, ob der Netzstecker richtig eingesteckt wurde.
- Die Temperatur ist nicht richtig eingestellt. >>> Wählen Sie eine geeignete Temperatur.
- Der Strom ist ausgefallen. >>> Sobald die Stromversorgung wiederhergestellt ist, nimmt der Kühlschrank den Betrieb wieder auf.

### Das Betriebsgeräusch nimmt zu, wenn der Kühlschrank arbeitet.

- Das Leistungsverhalten des Kühlgerätes kann sich je nach Umgebungstemperatur ändern. Dies ist völlig normal und keine Fehlfunktion.

Der Kühlschrank arbeitet sehr intensiv oder über eine sehr lange Zeit.

- Ihr neues Gerät ist vielleicht etwas breiter als sein Vorgänger. Große Kühlgeräte arbeiten oft etwas länger.
- Die Umgebungstemperatur ist eventuell sehr hoch. >>> Bei hohen Umgebungstemperaturen arbeitet das Gerät etwas länger.
- Der Kühlschrank wurde möglicherweise erst vor Kurzem in Betrieb genommen oder mit Lebensmitteln gefüllt. >>> Wenn der Kühlschrank erst vor Kurzem in Betrieb genommen oder mit Lebensmitteln gefüllt wurde, dauert es einige Zeit, bis er die eingestellte Temperatur erreicht. Dies ist normal.
- Kurz zuvor wurden größere Mengen warmer Speisen in den Kühlschrank gestellt. >>> Geben Sie keine warmen oder gar heißen Speisen in den Kühlschrank.
- Die Türen wurden häufig geöffnet oder längere Zeit nicht richtig geschlossen. >>> Der Kühlschrank muss länger arbeiten, weil warme Luft in den Innenraum eingedrungen ist. Verzichten Sie auf häufiges Öffnen der Türen.
- Die Türen des Kühl- oder Tiefkühlbereiches wurden nicht richtig geschlossen. >>> Vergewissern Sie sich, dass die Türen richtig geschlossen wurden.
- Die Kühlschranktemperatur ist sehr niedrig eingestellt. >>> Stellen Sie die Kühlschranktemperatur höher ein. Warten Sie dann ab, bis die gewünschte Temperatur erreicht ist.
- Die Türdichtungen von Kühl- oder Gefrierbereich sind verschmutzt, verschlissen, beschädigt oder sitzen nicht richtig. >>> Reinigen oder ersetzen Sie die Dichtung. Beschädigte oder defekte Dichtungen führen dazu, dass der Kühlschrank länger arbeiten muss, um die Temperatur halten zu können.

Die Temperatur im Tiefkühlbereich ist sehr niedrig, während die Temperatur im Kühlbereich normal ist.

- Die Tiefkühltemperatur ist sehr niedrig eingestellt. >>> Stellen Sie die Tiefkühltemperatur wärmer ein, prüfen Sie die Temperatur nach einer Weile.

Die Temperatur im Kühlbereich ist sehr niedrig, während die Temperatur im Tiefkühlbereich normal ist.

- Die Kühltemperatur ist sehr niedrig eingestellt. >>> Stellen Sie die Kühlbereichtemperatur wärmer ein, prüfen Sie die Temperatur nach einer Weile.

Im Kühlbereich gelagerte Lebensmittel frieren ein.

- Die Kühltemperatur ist sehr niedrig eingestellt. >>> Wählen Sie eine höhere Kühlbereichtemperatur, prüfen Sie die Temperatur nach einer Weile.

### Die Temperatur im Kühl- oder Tiefkühlbereich ist sehr hoch.

• Die Kühltemperatur ist sehr hoch eingestellt. >>> Die Kühlbereichtemperatur wirkt sich auf die Temperatur des Tiefkühlbereichs aus. Ändern Sie die Temperatur des Kühl- oder Tiefkühlbereichs und warten Sie, bis die entsprechenden Fächer eine geeignete Temperatur erreicht haben.

• Türen wurden häufig geöffnet oder längere Zeit nicht richtig geschlossen. >>> Verzichten Sie auf häufiges Öffnen der Türen.

• Die Tür steht offen. >>> Schließen Sie die Tür komplett.

• Der Kühlschrank wurde möglicherweise erst vor Kurzem in Betrieb genommen oder mit Lebensmitteln gefüllt. >>> Dies ist normal. Wenn der Kühlschrank erst vor Kurzem in Betrieb genommen oder mit Lebensmitteln gefüllt wurde, dauert es einige Zeit, bis er die eingestellte Temperatur erreicht.

• Kurz zuvor wurden größere Mengen warmer Speisen in den Kühlschrank gestellt. >>> Geben Sie keine warmen oder gar heißen Speisen in den Kühlschrank.

### Vibrationen oder Betriebsgeräusche.

• Der Boden ist nicht eben oder nicht stabil genug. >>> Falls der Kühlschrank bei leichten Bewegungen wackelt, gleichen Sie ihn mit Hilfe seiner Füße aus. Achten Sie außerdem darauf, dass der Boden eben ist und das Gewicht des Kühlschranks problemlos tragen kann.

• Gegenstände, die auf dem Kühlschrank abgestellt wurden, können Geräusche verursachen. >>> Nehmen Sie die Gegenstände vom Kühlschrank.

### Fließ- oder Spritzgeräusche sind zu hören.

• Aus technischen Gründen bewegen sich Flüssigkeiten und Gase innerhalb des Gerätes. Dies ist völlig normal und keine Fehlfunktion.

### Der Kühlschrank pfeift.

• Zum gleichmäßigen Kühlen werden Ventilatoren eingesetzt. Dies ist völlig normal und keine Fehlfunktion.

### Kondensation an den Kühlschrankinnenflächen.

• Bei heißen und feuchten Wetterlagen treten verstärkt Eisbildung und Kondensation auf. Dies ist völlig normal und keine Fehlfunktion.

• Türen wurden häufig geöffnet oder längere Zeit nicht richtig geschlossen. >>> Verzichten Sie auf häufiges Öffnen der Türen. Schließen Sie geöffnete Türen.

• Die Tür steht offen. >>> Schließen Sie die Tür komplett.

### Feuchtigkeit sammelt sich an der Außenseite des Kühlschranks oder an den Türen.

• Eventuell herrscht hohe Luftfeuchtigkeit; dies ist je nach Wetterlage völlig normal. Die Kondensation verschwindet, sobald die Feuchtigkeit abnimmt.

### Unangenehmer Geruch im Kühlschrank.

- Der Kühlschrank wurde nicht regelmäßig gereinigt. >>> Reinigen Sie das Innere des Kühlschranks regelmäßig mit einem Schwamm, den Sie mit lauwarmem Wasser oder einer Natron-Wasser-Lösung angefeuchtet haben.
- Bestimmte Behälter oder Verpackungsmaterialien verursachen den Geruch. >>> Verwenden Sie andere Behälter oder Verpackungsmaterial einer anderen Marke.
- Lebensmittel wurden in offenen Behältern in den Kühlschrank gegeben. >>> Lagern Sie Lebensmittel in geschlossenen Behältern. Mikroorganismen, die aus unverschlossenen Behältern entweichen, können üble Gerüche verursachen.
- Nehmen Sie Lebensmittel mit abgelaufenem Mindesthaltbarkeitsdatum sowie verdorbene Lebensmittel aus dem Kühlschrank.

### Die Tür lässt sich nicht schließen.

- Lebensmittelpackungen verhindern ein vollständiges Schließen der Tür. >>> Entfernen Sie die Verpackungen, welche die Tür blockieren.
- Der Kühlschrank steht nicht vollständig eben auf dem Boden. >>> Gleichen Sie den Kühlschrank mit Hilfe der Füße aus.
- Der Boden ist nicht eben oder nicht stabil genug. >>> Achten Sie darauf, dass der Boden eben ist und das Gewicht des Kühlschranks problemlos tragen kann.

### Das Gemüsefach klemmt.

- Lebensmittel berühren eventuell den oberen Teil der Schublade. >>> Ordnen Sie die Lebensmittel in der Schublade anders an.

### Wenn Die Produktoberfläche Heiss Ist.

- Die Bereiche zwischen den beiden Türen, an den Seitenflächen und hinten am Grill können im Betrieb sehr heiß werden. Dies ist völlig normal und weist nicht auf eine Fehlfunktion hin.



## **HAFTUNGSAUSSCHLUSS / WARNUNG**

Einige (einfache) Fehler können vom Endbenutzer angemessen behandelt werden, ohne dass Sicherheitsprobleme oder unsichere Verwendung auftreten, sofern sie innerhalb der Grenzen und gemäß den folgenden Anweisungen ausgeführt werden (siehe Abschnitt „Selbstreparatur“).

Sofern im Abschnitt „Selbstreparatur“ unten nichts anderes autorisiert ist, sind Reparaturen an registrierte professionelle Reparaturtechniker zu richten, um Sicherheitsprobleme zu vermeiden. Ein registrierter professioneller Reparaturbetrieb ist ein professioneller Reparaturtechniker, dem vom Hersteller Zugang zu den Anweisungen und der Ersatzteilliste dieses Produkts gemäß den in den Rechtsakten entsprechend der Richtlinie 2009/125/EG beschriebenen Methoden gewährt wurde.

**Allerdings kann nur der Dienstleister (d.h. autorisierte professionelle Reparaturtechniker), den Sie über die in der Bedienungsanleitung/Garantiekarte angegebene Telefonnummer oder über Ihren autorisierten Händler erreichen können, einen Service gemäß den Garantiebedingungen anbieten. Bitte beachten Sie daher, dass Reparaturen durch professionelle Reparaturtechniker (die nicht von Bekoautorisiert sind) zum Erlischen der Garantie führen.**

### **Selbstreparatur**

Die Selbstreparatur kann vom Endbenutzer in Bezug auf folgende Ersatzteile durchgeführt werden: Dichtungen, Filter, Türscharniere, Körbe, Propeller, Kunststoffzubehör usw. (eine aktualisierte Liste ist ab dem 1. März 2021 ebenfalls in support.beko.com verfügbar).

Um die Produktsicherheit zu gewährleisten und das Risiko schwerer Verletzungen zu vermeiden, muss die erwähnte Selbstreparatur gemäß den Anweisungen im Benutzerhandbuch zur

Selbstreparatur durchgeführt werden, die unter support.beko.com verfügbar sind. Ziehen Sie zu Ihrer Sicherheit den Stecker aus der Steckdose, bevor Sie eine Selbstreparatur durchführen.

Reparatur- und Reparaturversuche von Endbenutzern für Teile, die nicht in dieser Liste enthalten sind und/oder die Anweisungen in den Benutzerhandbüchern zur Selbstreparatur nicht befolgen oder die auf support.beko.com verfügbar sind, können zu Sicherheitsproblemen führen, die nicht auf Bekozurückzuführen sind, und führt zum Erlöschen der Garantie des Produkts.

Deshalb wird dringend empfohlen, dass Endbenutzer nicht versuchen, Reparaturen durchzuführen, die außerhalb der genannten Ersatzteilliste liegen, und sich in solchen Fällen an autorisierte professionelle Reparaturtechniker oder registrierte professionelle Reparaturtechniker wenden. Ansonsten können solche Versuche von Endbenutzern Sicherheitsprobleme verursachen und das Produkt beschädigen und anschließend Brand, Überschwemmungen, Stromschläge und schwere Personenschäden verursachen.

Beispielsweise müssen, ohne darauf beschränkt zu sein, die folgenden Reparaturen an autorisierte professionelle Reparaturtechniker oder registrierte professionelle Reparaturtechniker gerichtet werden: Kompressor, Kühlkreislauf, Hauptplatte, Wechselrichterplatte, Anzeigetafel usw.

Der Hersteller/Verkäufer kann in keinem Fall haftbar gemacht werden, in dem Endbenutzer die oben genannten Bestimmungen nicht einhalten.

Die Ersatzteilverfügbarkeit des von Ihnen gekauften Kühlschranks beträgt 10 Jahre.

Während dieser Zeit stehen Originalersatzteile zur Verfügung, um den Kühlschrank ordnungsgemäß zu betreiben.

Die Mindestgarantiedauer für den von Ihnen gekauften Kühlschrank beträgt 24 Monate.

Dieses Produkt ist mit einer Lichtquelle der Energieklasse „G“ ausgestattet.

Die Lichtquelle in diesem Produkt darf nur von professionellen Reparaturtechnikern ersetzt werden.

## Gelieve eerst deze gebruiksaanwijzing te lezen!

Beste klant,

We hopen dat uw product, dat in een moderne fabriek werd geproduceerd en onder de meest nauwkeurige procedures voor kwaliteitscontrole werd gecontroleerd, u doeltreffend van dienst zal zijn.

Wij bevelen daarom aan dat u eerst zorgvuldig de volledige gebruiksaanwijzing van uw product leest voordat u het product gaat gebruiken. Bewaar de handleiding voor toekomstige raadpleging.

## Deze gebruiksaanwijzing

- Helpt u uw toestel snel en veilig te gebruiken.
- Lees de gebruiksaanwijzing voordat u het product installeert en gebruikt.
- Volg de instructies, in het bijzonder die met betrekking tot veiligheid.
- Bewaar de gebruiksaanwijzing op een eenvoudig toegankelijke plaats aangezien u deze later nodig kunt hebben.
- Daarnaast dient u ook de andere documenten die bij uw product worden geleverd te lezen.

Let erop dat deze gebruiksaanwijzing ook voor andere modellen kan gelden.




## Symbolen en hun beschrijvingen

Deze instructiehandleiding bevat de volgende symbolen:

 Belangrijke informatie of nuttige gebruikstips.

 Waarschuwing tegen gevaarlijke omstandigheden voor leven en eigendommen.

 Waarschuwing tegen elektrische spanning.

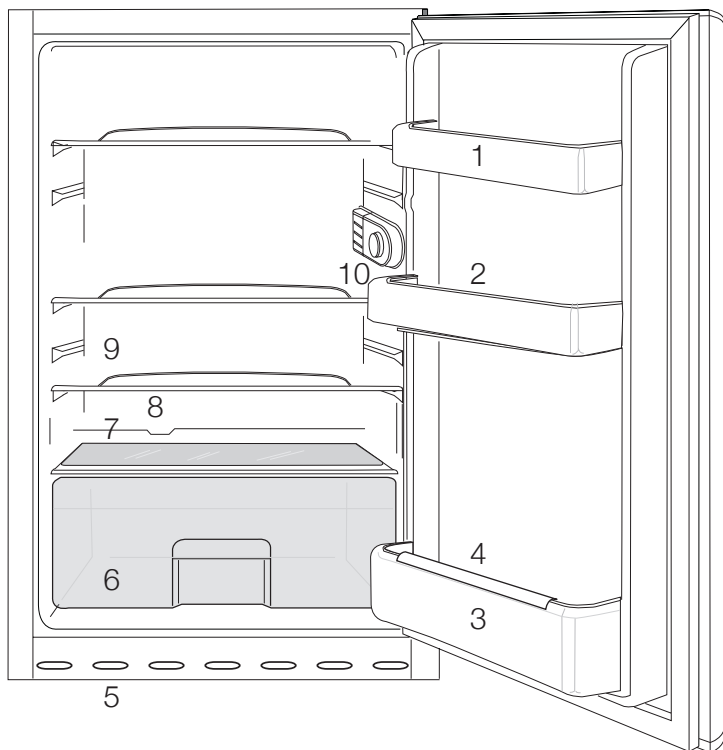
 <b>INFORMATIE</b>	
 <b>ENERGY</b> 	De informatie van het model zoals opgeslagen in de product-databank is toegankelijk op de onderstaande website. Zoek uw model identificatie (*) vermeld op het energielabel.
SUPPLIER'S NAME → <b>A</b>	MODEL IDENTIFIER (*) ← <b>A</b>
<a href="https://eprel.ec.europa.eu/">https://eprel.ec.europa.eu/</a>	

## INHOUD

---

<b>1 Uw koelkast</b>	<b>4</b>	<b>4 Voorbereiding</b>	<b>16</b>
<b>2 Belangrijke veiligheidswaarschuwingen</b>	<b>5</b>	<b>5 Gebruik van uw koelkast</b>	<b>17</b>
Bedoeld gebruik.....	5	Gebruik van de binnengedeelten .....	17
Algemene veiligheid .....	5	Koelen .....	17
Voor modellen met een drinkfontein ...	9	Ontdooien.....	18
Kinderbeveiliging .....	9	<b>6 Onderhoud en reiniging</b>	<b>19</b>
Voldoet aan de WEEE-richtlijn en de richtlijnen voor afvoeren van het restproduct: .....	9	Bescherming van de plastic oppervlakken .....	20
Voldoet aan RoHS-richtlijn:.....	9	<b>7 Fouten opsporen</b>	<b>21</b>
HC-waarschuwing .....	10		
Aanwijzingen ter besparing van energie.....	10		
<b>3 Installatie</b>	<b>11</b>		
Punten waarop gelet moet worden bij de verplaatsing van een koelkast.....	11		
Voordat u de koelkast inschakelt,.....	11		
Elektrische aansluiting .....	11		
Afvoeren van de verpakking .....	12		
Afvoeren van uw oude koelkast.....	12		
Plaatsing en installatie.....	12		
Het vervangen van de lamp .....	13		
De deuren omkeren.....	14		
De deuren omkeren.....	15		

# 1 Uw koelkast



1. Eierrek
2. Deurschappen
3. Flessenrek
4. Flessengrijper
5. Luchtrooster
6. Groentelade
7. Deksel groentelade
8. Afvoerkanaal dooiwater - afvoerpijp
9. Verplaatsbare schappen
10. Binnenlampje & Thermostaatknop

**i** De afbeeldingen in deze gebruiksaanwijzing zijn schematisch en hoeven niet exact met uw product overeen te komen. Wanneer onderdelen niet tot het product behoren dat u hebt gekocht, gelden deze voor andere modellen.


## 2 Belangrijke veiligheidswaarschuwingen

Gelieve de volgende informatie goed te bestuderen. Niet-inachtneming van deze informatie kan verwondingen of materiële schade veroorzaken.

In dat geval worden alle garanties en betrouwbaarheidsengagementsen ongeldig.

Originele reserveonderdelen worden geleverd gedurende een periode van 10 jaar vanaf de product aankoopdatum.

### Bedoeld gebruik

	<b>WAARSCHUWING :</b> Indien het apparaat in zijn beschermingskap is of geplaatst is, zorg ervoor dat de ventilatieopeningen niet gedekt zijn.
	<b>WAARSCHUWING:</b> Gebruik geen mechanische apparaten of andere apparaten behalve apparaten welke door de producent worden geadviseerd om het proces voor ontdoeien te versnellen.
	<b>WAARSCHUWING:</b> Beschadig koelmiddelstroom circuit niet.

	<b>WAARSCHUWING :</b> Gebruik geen elektrische apparaten welke niet aanbevolen worden door de producent binnen de opslag ruimten voor voedsel.
	<b>WAARSCHUWING:</b> Bewaar geen explosieve stoffen, zoals spuitbussen met een ontvlambaar drijfgas, in dit apparaat.

Dit apparaat is ontworpen om huiselijk gebruik of bij onderstaande soortgelijke gevallen gebruikt te worden.

- Voor het gebruik in personeel keukens bij winkels, bureaus en overige werkplaatsen;
- Voor het gebruik door klanten bij boerderijen en hotels, motels en overige plaatsen waar klanten kunnen verblijven.
- In omgevingen als hostels;
- Soortgelijke toepassingen welke geen diensten in verband met eten bieden of die niet kleinhandelaar zijn.

### Algemene veiligheid

- Wanneer u het product wenst af te voeren, raden wij u aan de bevoegde onderhoudsdienst te raadplegen om de benodigde informatie en bevoegde instanties te leren kennen.

- Raadpleeg uw bevoegde onderhoudsdienst voor alle vragen en problemen met betrekking tot de koelkast. Voer geen ingrepen aan de koelkast uit en laat dit ook niet door iemand anders doen zonder de bevoegde onderhoudsdienst op de hoogte te stellen.

- Voor producten met een diepvriesvak; Eet geen ijs of ijsblokjes meteen nadat u deze uit het diepvriesvak heeft gehaald. (Dit kan bevriezing in uw mond veroorzaken.)

- Voor producten met een diepvriesvak; Plaats geen flessen of blikjes met vloeibare dranken in het diepvriesvak Deze zouden kunnen barsten.

- Raak ingevroren levensmiddelen niet met de hand aan; deze kunnen aan uw hand vastplakken.

- Verwijder de stekker uit uw koelkast voor u deze reinigt of ontdooit.

- Bij het schoonmaken en ontdooien van de koelkast mogen geen stoom en stoomreinigers gebruikt worden. De stoom kan in contact komen met de elektrische onderdelen en kortsluiting of een elektrische schok veroorzaken.

- Gebruik geen onderdelen van uw koelkast zoals de deur als steun of opstapje.

- Gebruik geen elektrische apparaten binnen in de koelkast.

- Beschadig de onderdelen, waar de koelvloeistof circuleert, niet door boor- of snijdgereedschap. De koelvloeistof kan naar buiten geblazen worden wanneer de gasleidingen van de verdamper, leidingverlengingen of oppervlaktecoatings worden doorboord en dit kan huidirritatie en oogletsel veroorzaken.

- Dek of blokkeer de ventilatieopeningen van uw koelkast met geen enkel materiaal.

- Elektrische toestellen mogen enkel door bevoegde personen worden hersteld. Reparaties die door onbevoegde personen worden uitgevoerd kunnen een risico voor de gebruiker opleveren.

- Sluit in geval van storing of tijdens onderhouds- of reparatiewerken de stroomtoevoer van de koelkast af door de zekering eruit te draaien of de stekker van het apparaat eruit te trekken.

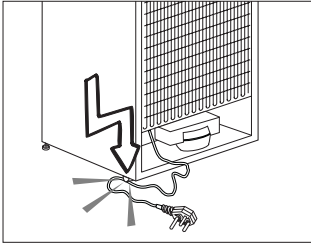
- Bij het uittrekken van de stekker deze niet aan de kabel uittrekken.

- Zorg ervoor dat alcoholische dranken rechtop worden bewaard met dop goed gesloten.

- Bewaar nooit spuitbussen met een ontvlambare of explosieve inhoud in de koelkast.
- Gebruik geen andere mechanische gereedschappen of andere middelen om het ontdooiproces te versnellen dan deze aangeraden door de fabrikant.
- Dit product is niet bestemd voor gebruik door personen met een fysieke, zintuiglijke of mentale stoornis of ongeschoolde of onervaren mensen (inclusief kinderen) tenzij deze worden bijgestaan door een persoon die verantwoordelijk is voor hun veiligheid of die hen dienovereenkomstig instructies geeft bij het gebruik van het product
- Gebruik geen beschadigde koelkast. Neem contact op met de dealer als u vragen heeft.
- Elektrische veiligheid van uw koelkast wordt alleen gegarandeerd wanneer het aardingssysteem in uw huis aan de normen voldoet.
- Blootstelling van het product aan regen, sneeuw, zon en wind is gevaarlijk met betrekking tot de elektrische veiligheid.
- Neem contact op met een bevoegde dienst wanneer de stroomkabel beschadigd is om zo gevaar te voorkomen.
- Steek tijdens installatie nooit de stekker van de koelkast in de wandcontactdoos. Er bestaat een kans op overlijden of serieus letsel.
- Deze koelkast is enkel bestemd voor het bewaren van voedsel. Hij mag niet voor andere doeleinden worden gebruikt.
- Het label met technische specificaties bevindt zich aan de linkerwand binnenin de koelkast.
- Sluit je koelkast nooit aan op energiebesparende systemen; deze kunnen de koelkast beschadigen.
- Als er zich een blauwe lamp in uw koelkast bevindt, kijk hier dan niet voor een lange tijd in met het blote oog of met optische hulpmiddelen. Wacht minstens 5 minuten met het inschakelen van de koelkast na stroomuitval bij manueel bediende koelkasten.
- Deze gebruikershandleiding moet aan de nieuwe eigenaar van het toestel gegeven worden wanneer het toestel doorgegeven wordt.
- Vermijd schade aan de stroomkabel bij transport van de koelkasten. De kabel plooiën kan vuur veroorzaken. Plaats geen zware voorwerpen op de stroomkabel.

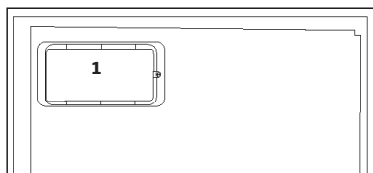
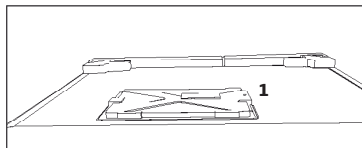


- Raak de stekker niet aan met natte handen wanneer deze in het stopcontact wordt geplaatst.



- Plaats de stekker van de koelkast niet in het stopcontact als dit stopcontact los is.
- Er mag om veiligheidsredenen geen water rechtstreeks op de binnen- of buitendelen van het toestel gesproeid worden.
- Sproei geen stoffen met ontvlambare gassen zoals propaangas dichtbij de koelkast om gevaar op vuur en ontploffing te voorkomen.
- Plaats geen containers gevuld met water op de koelkast; dit kan bij morsen elektrische schokken of vuur veroorzaken.
- Laad de koelkast niet te vol met voedsel. Indien de koelkast overladen is, kan voedsel naar beneden vallen bij het openen en u kwetsen of de koelkast beschadigen.
- Plaats geen objecten op de koelkast; deze kunnen naar beneden vallen wanneer u de deur open of dicht doet.

- Producten die een nauwkeurige temperatuurregeling nodig hebben (vaccins, hittegevoelige medicatie, wetenschappelijke materialen, enz.) mogen niet in koelkast bewaard worden.
- De koelkast moet worden losgekoppeld indien deze langdurig niet wordt gebruikt. Een mogelijk probleem met de stroomkabel kan vuur veroorzaken.
- De koelkast kan bewegen als de stelvoetjes niet juist op de vloer worden vastgezet. De stelvoetjes juist vastzetten op de vloer kan voorkomen dat de koelkast beweegt.
- Hef de koelkast niet aan het handvat bij verplaatsing. Anders breekt het.
- Als u het product naast een andere koelkast of diepvriezer plaatst, moet de afstand hiertussen minstens 8 cm zijn. Anders kunnen aaneensluitende zijwanden nat worden.
- Gebruik het product nooit als de sectie boven- of achteraan op het product dat elektronische printplaten bevat, geopend is (elektronische printplaat deksel) (1).



### Voor modellen met een drinkfontein

- De druk van de koud waterinlaat mag maximum 8 bar bedragen. Als uw waterdruk hoger is dan 5,5 bar moet u een drukbegrenzer gebruiken in uw netwerk. Als u niet weet hoe u uw waterdruk kunt controleren, moet u hulp vragen van een professionele loodgieter.

- Als het risico bestaat op een waterslageffect in uw installatie moet u altijd een waterslag preventie apparatuur installeren. Raadpleeg een professionele loodgieter als u niet zeker bent of er een waterslageffect aanwezig is in uw installatie.

- Installeer deze niet op de warme waterinlaat. Neem de nodige maatregelen tegen het bevriezen van de leidingen. De watertemperatuur bedrijfsinterval moet minimum 0,6°C en maximum 38°C zijn.

- Gebruik enkel drinkwater.

### Kinderbeveiliging

- Indien de deur een slot heeft, moet de sleutel buiten het bereik van kinderen worden gehouden.
- Kinderen moeten onder toezicht staan om te voorkomen dat ze met het product knoeien.

### Voldoet aan de WEEE-richtlijn en de richtlijnen voor afvoeren van het :restproduct



Dit product voldoet aan de EU-richtlijn WEEE (2012/19/EU). Dit product is voorzien van een classificatiesymbool voor afvalsortering van elektrische en elektronische apparatuur (WEEE).

Dit product werd vervaardigd uit onderdelen en materialen van hoge kwaliteit die hergebruikt kunnen worden en geschikt zijn voor recycling. Gooi het restproduct aan het einde van zijn levensduur niet weg bij normaal huishoudelijk of ander afval. Breng het naar het verzamelpunt voor recycling van elektrische en elektronische apparatuur. Raadpleeg uw plaatselijke autoriteiten om te weten waar u deze verzamelpunten aantreft.

### Voldoet aan RoHS-richtlijn:

Het door u aangekochte product voldoet aan de EU-richtlijn RoHS (2011/65/EU). Het bevat geen schadelijke en verboden materialen die in deze richtlijn zijn opgenomen.

## HC-waarschuwing

### Als het koelsysteem van uw product R600a bevat:

Dit gas is ontvlambaar. Zorg daarom tijdens gebruik en transport dat het koelsysteem en de leidingen niet beschadigd raken. In het geval van schade: houd uw product weg van mogelijke ontstekingsbronnen die kunnen veroorzaken dat het product vuur vat en ventileer de ruimte waarin de unit is geplaatst.

### Negeer deze waarschuwing als het koelsysteem van uw product R134a bevat.

Het type gas dat in dit product wordt gebruikt staat vermeld op de type-etiket aan de linkerwand binnenin de koelkast.

Gooi het product nooit in vuur voor verwijdering.

## Aanwijzingen ter besparing van energie

- Houd de deuren van uw koelkast niet lang open.
- Plaats geen warme levensmiddelen of dranken in de koelkast.
- Overlaad de koelkast niet zodat luchtcirculatie aan de binnenzijde niet geblokkeerd wordt.
- Plaats de koelkast niet in direct zonlicht of naast warmteafgevend apparaten zoals een oven, vaatwasser of radiator. Houd uw koelkast minstens 30 cm verwijderd van warmteafgevend bronnen en minstens 5 cm van elektrische ovens.
- Bewaar uw levensmiddelen in gesloten bakjes.

- Voor producten met een diepvriesvak; U kunt een maximale hoeveelheid voedsel in de diepvries bewaren wanneer u de schappen of lade uit de diepvries verwijdert. De waarde voor energieconsumptie van uw diepvries werd vastgesteld door verwijdering van de diepvries schappen of laden en onder de maximum hoeveelheid. Er bestaat geen risico bij het gebruik van een schap of lade volgens de vorm en grootte van het in te vriezen voedsel.
- Bevroren voedsel in het koelgedeelte ontdooien laat toe om energie te besparen en behoudt de voedselkwaliteit.

## 3 Installatie



Indien de informatie die in deze gebruikershandleiding wordt gegeven, niet wordt opgevolgd, is de fabrikant in geen geval aansprakelijk.

### Punten waarop gelet moet worden bij de verplaatsing van een koelkast

1. Uw koelkast moet van de stroom zijn afgesloten. Voor het vervoer van uw koelkast moet deze leeg zijn gemaakt en gereinigd.
2. Voordat deze wordt verpakt, moeten schappen, accessoires, groentelade, enz. in de koelkast worden vastgemaakt met tape en beschermd zijn tegen stoten. De verpakking dient met dikke tape of geschikt touw worden ingebonden en de vervoerregels op de verpakking dienen strikt te worden nageleefd.
3. Originele verpakking en schuimmaterialen moeten worden bewaard voor toekomstig transport of verhuizen.

### Voordat u de koelkast ,inschakelt

Controleer het volgende voordat u uw koelkast gaat gebruiken:

1. Bevestig 2 plastic wiggen zoals hieronder afgebeeld. Plastic wiggen zijn bedoeld om afstand te houden, om zo een luchtcirculatie te behouden tussen uw koelkast en de muur. (De afbeelding is slechts een schets en is niet gelijk aan uw product.)


2. Maak de binnenkant van de koelkast schoon, zoals aanbevolen in het hoofdstuk "Onderhoud en reiniging".
3. Sluit de stekker van de koelkast aan op het stopcontact. Als de koelkastdeur wordt geopend, gaat de binnenverlichting van de koelkast aan.
4. Als de compressor begint te draaien, komt er een geluid vrij. De vloeistof en de gassen die zich in het koelsysteem bevinden, zouden ook wat lawaai kunnen veroorzaken zelfs wanneer de compressor niet werkt. Dit is normaal.
5. De buitenkant van de koelkast kan warm aanvoelen. Dit is normaal. Deze oppervlakken zijn bedoeld om warm te worden om condensvorming te voorkomen.

### Elektrische aansluiting

Sluit uw apparaat aan op een geaard stopcontact, beschermd door een zekering met de juiste capaciteit. Belangrijk:

- De aansluiting moet in naleving zijn met nationale voorschriften.
- De stroomstekker moet na installatie eenvoudig bereikbaar zijn.
- Elektrische veiligheid van uw koelkast wordt alleen gegarandeerd wanneer het aardingssysteem in uw huis aan de normen voldoet.
- Het voltage op het etiket dat zich links binnenin uw product bevindt moet gelijk zijn aan uw netstroomvoltage.
- **Verlengkabels en verdeelstekkers mogen voor aansluiting niet worden gebruikt.**

 Een beschadigde stroomkabel kabel moet door een gekwalificeerd elektricien worden vervangen.

 Het product mag niet in werking worden gesteld voordat het gerepareerd is! Er bestaat anders gevaar op een elektrische schok!

## **Afvoeren van de verpakking**

De verpakkingsmaterialen kunnen gevaarlijk zijn voor kinderen. Houd het verpakkingsmateriaal buiten bereik van kinderen of voer deze af conform afvalinstructies zoals bepaald door uw lokale autoriteiten. Gooi het niet weg met het normale huishoudafval, maar maak gebruik van ophaalplaatsen voor verpakkingen die door lokale autoriteiten zijn aangewezen.

De verpakking van uw koelkast is vervaardigd uit herbruikbare materialen.


## **Afvoeren van uw oude koelkast**

Voer uw oude koelkast af zonder het milieu op enige wijze te schaden.

- U kunt uw bevoegde dealer of het afvalcentrum van uw gemeente raadplegen over het afvoeren van uw koelkast.

Voordat u uw koelkast afvoert, snijd de elektrische stekker af. Indien het apparaat is uitgevoerd met deursluitingen, dit slot dan onbruikbaar maken om kinderen tegen gevaar te beschermen.

## **Plaatsing en installatie**

 Als de toegangsdeur van de kamer waarin de koelkast wordt geïnstalleerd niet breed genoeg is voor de koelkast om erdoor te passen, bel dan de bevoegde dienst zodat deze de deuren van uw koelkast kan verwijderen en de koelkast zijdelings door de deur kan.

1. Installeer uw koelkast op een plaats waar deze gemakkelijk kan worden gebruikt.
2. Houd uw koelkast uit de buurt van warmtebronnen, vochtige plaatsen en direct zonlicht.
3. Er moet geschikte luchtventilatie rond uw koelkast zijn om een efficiënte werking te verkrijgen. Als de koelkast in een uitsparing in de muur wordt geplaatst, moet er minstens 5 cm afstand zijn ten opzichte van het plafond en minstens 5 cm ten opzichte van de muur. Plaats uw product niet op materialen zoals een kleden of vloerbedekking.
4. Plaats uw koelkast op een vlak vloeroppervlak om schokken te vermijden.

## Het vervangen van de lamp

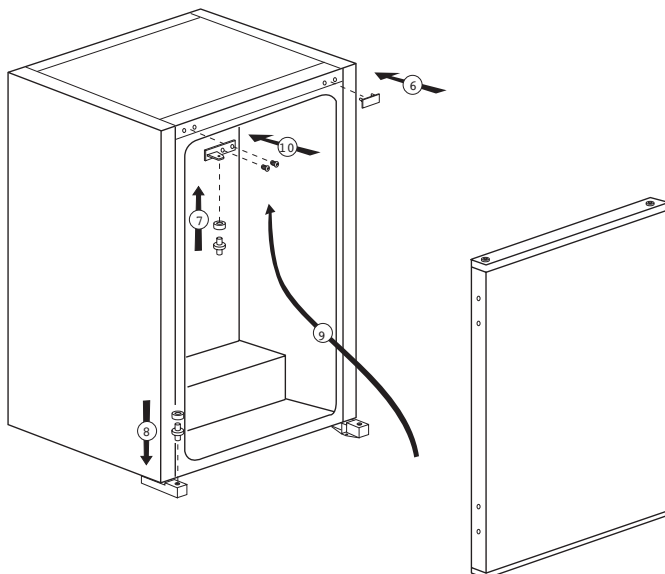
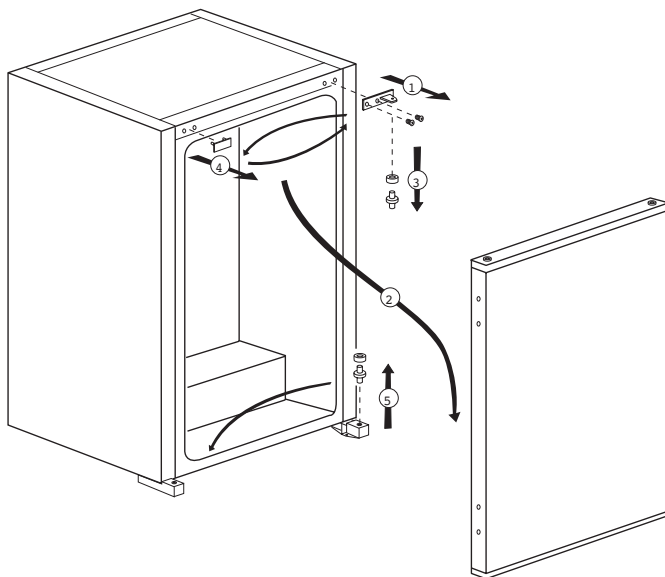
Om de lamp/led voor de binnenverlichting van uw koelkast te vervangen, bel uw bevoegde onderhoudsdienst.

De lamp of lampen voorzien in dit apparaat mogen niet worden gebruikt voor de verlichting van huishoudelijke ruimten. Het beoogde gebruik van deze lamp is de gebruiker te helpen etenswaren op veilige en comfortabele wijze in de koelkast/diepvriezer te plaatsen.

De lampen die in dit apparaat worden gebruikt moeten bestendig zijn tegen extreme fysieke omstandigheden, zoals temperaturen beneden de  $-20^{\circ}\text{C}$ .

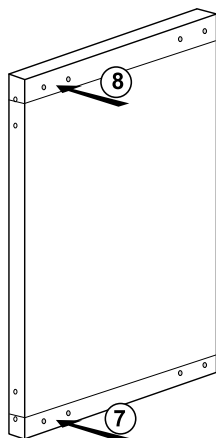
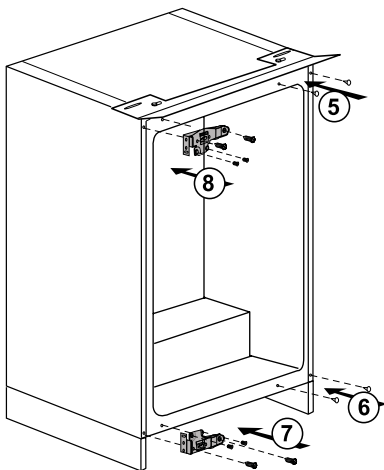
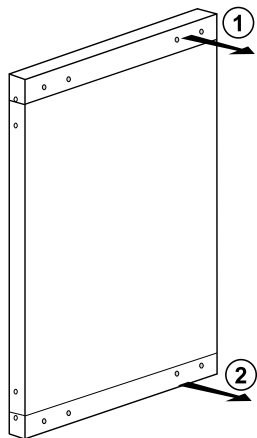
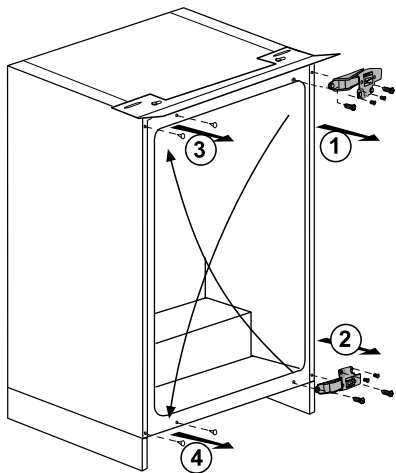
## De deuren omkeren

Ga verder in numerieke volgorde.



## De deuren omkeren

Ga verder in numerieke volgorde.



**B1802 F**

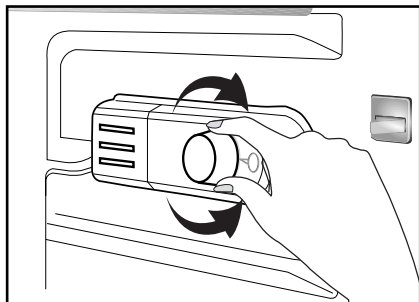


## 4 Voorbereiding

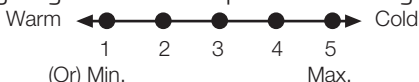
---

- i** Uw vriezer moet worden geïnstalleerd op minstens 30 cm afstand van warmtebronnen zoals kookplaten, centrale verwarming en kachels en op minstens 5 cm afstand van elektrische ovens. De koelkast mag niet in direct zonlicht worden geplaatst.
- i** De omgevingstemperatuur van de kamer waarin u de vriezer installeert dient minstens 10°C te zijn. In verband met efficiëntie wordt gebruik van uw vriezer in koudere omstandigheden niet aanbevolen.
- i** Controleer of de binnenzijde van uw koelkast volledig schoon is.
- i** Indien u twee producten naast elkaar wilt zetten, bijv. een koelkast en een vriezer dient u een decoratiekit te gebruiken welke een kleine mat en een decoratieonderdeel bevat. De mat wordt aan de zijkant van één van de producten aangebracht om een ruimte tussen de producten te creëren. Het decoratieonderdeel wordt tussen de twee producten aangebracht om het gat tussen de producten te verhullen (Afb. 2). De decoratiekit is geen deel van het product maar kan als een accessoire geleverd worden.
- i** Wanneer u uw vriezer voor de eerste keer in gebruik neemt, gelieve tijdens de eerste zes uur de volgende instructies in acht te nemen.
  - De deur niet regelmatig openen.
  - Koelkast moet in bedrijf gesteld worden zonder levensmiddelen.
  - De stekker van de vriezer niet uittrekken. Indien zich een stroomstoring voordoet buiten uw macht, zie de waarschuwingen in het deel "Aanbevolen oplossingen voor problemen".
- i** Originele verpakking en schuimmaterialen moeten worden bewaard voor toekomstig transport of verhuizen.

## 5 Gebruik van uw koelkast



De werkingstemperatuur instellen  
De werkingstemperatuur wordt  
geregeld via de temperatuursturing.



**1 = Laagste koelinstelling  
(Warmste instelling)**

**5 = Hoogste koelinstelling  
(Koudste instelling)**

(Of)

**Min. = Laagste koelstand  
(Warmste instelling)**

**Max. = Hoogste koelstand  
(Koudste instelling)**

De gemiddelde koelkasttemperatuur moet ongeveer +5 °C bedragen.

Kies een stand afhankelijk van de gewenste temperatuur.

Merk op dat er in het koelgebied verschillende temperaturen zijn.

Het koudste gedeelte bevindt zich onmiddellijk boven het groentevak.

De binnentemperatuur hangt ook af van de omgevingstemperatuur, hoe vaak de deur geopend wordt en de hoeveelheid voedsel die in de koelkast bewaard wordt.

Wanneer u de deur vaak opent, stijgt de temperatuur in de koelkast.

Het is daarom raadzaam om de deur na elk gebruik zo snel mogelijk te sluiten.

### Gebruik van de binnengedeelten

Verplaatsbare schappen: De afstand tussen de schappen kan indien gewenst worden aangepast.

Groentelade: Groenten en fruit kunnen in dit gedeelte worden geplaatst en gedurende langere tijd worden bewaard.

Flessenrek: In dit rek kunnen flessen, potten en blikjes worden bewaard.

### Koelen

#### Bewaren van voedsel

Het koelkastgedeelte dient voor het bewaren van verse etenswaren en dranken.

Bewaar melkproducten in het daartoe bedoelde vak in de koelkast.

Flessen kunnen in de flessenhouder worden gezet of in het flessenvak van de deur.

Rauw vlees kan het best worden bewaard in een polyethyleen zak onderaan in de koelkast.

Laat hete voedingswaren en dranken eerst afkoelen tot kamertemperatuur voor u ze in de koelkast plaatst.

- Let op

Bewaar geconcentreerde alcohol enkel rechtopstaand en goed afgesloten.

- Let op  
Bewaar geen explosieve bestanddelen of containers met ontvlambaar drijfgas (slagroomverdelers, spuitbussen, enz.) in het apparaat. Er bestaat een kans op explosie.

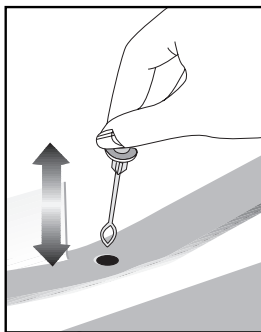
## Ontdooien

Het koelkastgedeelte ontdooit automatisch. Het dooiwater stroomt door het afvoerkanaal in een verzamelcontainer aan de achterzijde van het apparaat.

Tijdens het ontdooien kunnen waterdruppels worden gevormd aan de achterzijde van de koelkast. Dit komt van de verdamper.














Indien niet alle druppels naar beneden zakken, kunnen ze na het ontdooiproces opnieuw aanvriezen. Verwijder ze met een doek gedrenkt in lauwwarm water. Gebruik nooit een hard of een scherp voorwerp.

Controleer de doorstroming van het dooiwater regelmatig. De opening kan soms verstopt raken.



## 6 Onderhoud en reiniging

---

-  Gebruik nooit benzine, benzeen of gelijksoortige substanties voor het reinigingswerk.
-  Wij bevelen aan dat u de stekker uit het toestel trekt voordat u met reinigen begint.
-  Gebruik nooit scherpe voorwerpen, zeep, huishoudproducten, afwasmiddel of boenwas om te poetsen.
-  In producten die geen No Frost hebben ontstaan er op de achterwand van het koelvak waterdruppels en een vingerdikke ijslaag. Maak het niet schoon; doe er nooit olie op soortgelijke middelen op.
-  Gebruik uitsluitend licht vochtige microfvezeldoeken om de buitenkant van het product schoon te maken. Sponzen en andere soorten schoonmaakdoeken kunnen het oppervlak krassen.
-  Gebruik lauwwarm water om de kast van uw koelkast schoon te maken en wrijf deze droog.
-  Gebruik een vochtige doek, uitgewrongen in een oplossing van één koffielepel natriumbicarbonaat voor 50 cl water, om de binnenkant schoon te maken en wrijf vervolgens droog.
-  Zorg ervoor dat er geen water in de lamp en andere elektrische onderdelen binnensijpelt.
-  Als uw koelkast voor een lange periode niet zal worden gebruikt, trek dan de stroomkabel uit, verwijder alle etenswaren, maak de koelkast schoon en laat de deur op een kier staan.
-  Kijk de deurgrendels regelmatig na om u ervan te overtuigen dat ze schoon en vrij van etensresten zijn.
-  Om deurroosters te verwijderen, verwijder de inhoud en druk het deurrooster vervolgens eenvoudigweg naar boven vanaf de basis.
-  Gebruik nooit reinigingsmiddelen of water dat chloor bevat om de buitenkant en de verchroomde onderdelen van het product te reinigen. Chloor veroorzaakt corrosie op dergelijke metalen oppervlakken.
-  Gebruik geen scherpe en schurende werktuigen of zeep, huishoudelijke reinigingsmiddelen, oplosmiddelen, benzine, benzeen, was, etc. Zo niet zullen stempels op plastic onderdelen loskomen en kunnen vervormingen optreden. Gebruik warm water en een zachte doek om te reinigen en te drogen.

## Bescherming van de plastic oppervlakken

- i** Plaats geen vloeibare olie of in olie bereide maaltijden in uw koelkast in onafgedichte bakjes. Deze kunnen de plastic oppervlakken van uw koelkast beschadigen. Mocht u olie morsen op de kunststof oppervlakken, reinig dit deel van het oppervlak dan direct met warm water en spoel af.

## 7 Fouten opsporen

Controleer de volgende punten voordat u de onderhoudsdienst belt. Dit kan u tijd en geld besparen. Deze lijst omvat regelmatige klachten die niet voortkomen uit defect vakmanschap of materiaalgebruik. Het is mogelijk dat bepaalde functies die hier beschreven zijn niet tot uw product behoren.

### De koelkast werkt niet.

- De stekker zit niet op de juiste manier in het stopcontact. >>> Zorg ervoor dat de stekker veilig in het stopcontact wordt geplaatst.
- De zekering van het stopcontact waarop de koelkast is aangesloten of de hoofdzekering is gesprongen. >>> Controleer de zekering.

### Condensvorming langs de wand van het koelgedeelte (MULTI ZONE, COOL CONTROL en FLEXI ZONE).

- Omgeving is erg koud. >>> Plaats de koelkast niet in een ruimte waar de temperatuur lager kan worden dan 10°C.
- De deur van de koelkast werd regelmatig open gemaakt. >>> Open en sluit de deur van de koelkast niet te veel.
- Omgeving is erg vochtig. >>> Plaats de koelkast niet in een vochtige ruimte.
- Voedsel met veel vloeistoffen wordt in open bakjes bewaard. >>> Bewaar dit soort voedsel in gesloten bakjes.
- De deur van de koelkast staat op een kier. >>> Sluit de deur van de koelkast.
- De thermostaat staat veel te laag. >>> Zet de thermostaat hoger.

### De compressor draait niet

- Thermische bescherming van de compressor kan springen gedurende plotselinge stroomuitval of afsluiting van de stroomtoevoer wanneer de druk van het koelmiddel in het koelsysteem van de koelkast niet in balans is. De koelkast gaat na ongeveer 6 minuten draaien. Neem contact op met de onderhoudsdienst wanneer uw koelkast na deze periode niet start.
- De koelkast zit in een ontdooicyclus. >>> Dit is normaal voor een volledig automatisch ontdooiende koelkast. Ontdooicyclus vindt periodiek plaats.
- De stekker van de koelkast steekt niet in het stopcontact. >>> Zorg ervoor dat de stekker in het stopcontact zit.
- De temperatuuraanpassingen werden niet correct uitgevoerd. >>> Kiest een geschikte temperatuurwaarde.
- Er is een stroomstoring. >>> Zodra de storing is verholpen keert de koelkast terug naar normale werking.

### Het werkingsgeluid neemt toe wanneer de koelkast werkt.

- De werking van de koelkast kan veranderen als gevolg van wijzigingen in de omgevingstemperatuur. Dit is normaal en geen defect.

De koelkast werkt frequent of gedurende lange tijd.

- Uw nieuwe product is mogelijk breder dan het vorige. Grote koelkasten werken langer.
- De omgevingstemperatuur kan hoog zijn. >>> Het is normaal dat het product langer draait in een warme omgeving.
- De stekker van de koelkast kan onlangs ingestoken zijn of de koelkast kan zijn volgeladen met etenswaren. >>> Wanneer de koelkast pas is ingeschakeld of kortgeleden werd gevuld, duurt het langer om de ingestelde temperatuur te bereiken. Dit is normaal.
- Grote hoeveelheden warme levensmiddelen kunnen recentelijk in de koelkast zijn geplaatst. >>> Plaats geen warm voedsel in de koelkast.
- Deuren werden regelmatig geopend of hebben enige tijd op een kier gestaan. >>> De warme lucht die in de koelkast is binnengekomen maakt dat de koelkast langer werkt. Open de deuren niet te dikwijls.
- De deur van het vries- of koelcompartiment is mogelijk op een kier blijven staan. >>> Controleer of de deuren goed gesloten zijn.
- De koelkast is zeer koud ingesteld. >>> Stel de koelkasttemperatuur hoger en wacht tot de temperatuur wordt bereikt.
- Deurafdichting van de koelkast of diepvriezer kan vuil, versleten, gebroken of niet goed geplaatst zijn. >>> Maak de afdichting schoon of vervang deze. Een beschadigde/ gebroken afdichting maakt dat de koelkast langer moet werken om de huidige temperatuur te handhaven.

Diepvriestemperatuur is erg laag terwijl de koelkasttemperatuur voldoende is.

- De diepvriestemperatuur is zeer koud ingesteld. >>> Stel de diepvriezertemperatuur hoger in en controleer.

Koelkasttemperatuur is erg laag terwijl de diepvriestemperatuur voldoende is.

- De temperatuur van het koelvak is zeer koud ingesteld. >>> Stel de koelkasttemperatuur hoger in en controleer.

Etenswaren die in laden van het koelgedeelte worden bewaard, bevroren.

- De temperatuur van het koelvak is zeer hoog ingesteld. >>> Stel de koelkasttemperatuur lager in en controleer.

Temperatuur in de koelkast of diepvriezer is zeer hoog.

- De temperatuur van het koelvak is zeer hoog ingesteld. >>>De temperatuur van het koelvak heeft invloed op de temperatuur van de diepvriezer. Wijzig de temperatuur van de koelkast of de diepvriezer en wacht tot de betreffende compartimenten de gewenste temperatuur bereikt.
- Deuren werden regelmatig geopend of hebben enige tijd op een kier gestaan. >>>Open de deuren niet te vaak.
- De deur staat op een kier. >>>Sluit de deur volledig.
- De koelkast is pas ingeschakeld of werd recent geladen met voedsel. >>>Dit is normaal. Wanneer de koelkast net is ingeschakeld of kortgeleden werd gevuld, duurt het langer om de ingestelde temperatuur te bereiken.
- Grote hoeveelheden warme levensmiddelen kunnen recentelijk in de koelkast zijn geplaatst. >>>Plaats geen warm voedsel in de koelkast.

• Vibratie of geluid.

- De vloer is niet gelijk of stabiel. >>> Indien de koelkast schommelt bij enige beweging, moet u de stelvoetjes aanpassen. Zorg dat de vloer vlak en sterk genoeg is om de koelkast te dragen.
- De spullen die boven op de koelkast liggen kunnen geluid veroorzaken. >>>Verwijder deze van de bovenzijde van de koelkast.

Er komt een geluid van morsende of sprayende vloeistof uit de koelkast.

- Vloeistof- en gasstromen vinden plaats conform de werkingsprincipes van uw koelkast. Dit is normaal en geen defect.

Er komt een fluitend geluid van de koelkast.

- Er worden ventilatoren gebruikt om de koelkast te koelen. Dit is normaal en geen defect.

Condens op de binnenwanden van de koelkast.

- Met warm en vochtig weer neemt ijs- en condensvorming toe. Dit is normaal en geen defect.
- Deuren werden regelmatig geopend of hebben enige tijd op een kier gestaan. >>>Open de deuren niet te vaak. Sluit ze wanneer ze open staan.
- De deur staat op een kier. >>>Sluit de deur volledig.

Vocht aan de buitenkant van de koelkast of tussen de deuren.

- De lucht is mogelijk vochtig; dit is vrij normaal bij vochtig weer. Wanneer de vochtigheid minder wordt, zal de condens verdwijnen.



<p><b>Slechte geur binnenin de koelkast.</b></p> <ul style="list-style-type: none"> <li>• Ze wordt niet regelmatig schoongemaakt. &gt;&gt;&gt;Maak de binnenkant van de koelkast regelmatig schoon met een spons met lauw water waarin eventueel wat carbonaat is opgelost.</li> <li>• Sommige bakjes of verpakkingsmaterialen kunnen de geur veroorzaken. &gt;&gt;&gt;Gebruik een ander bakje of ander soort verpakkingsmateriaal.</li> <li>• Er is voedsel in de koelkast geplaatst in een open bakje. &gt;&gt;&gt;Bewaar het voedsel altijd in een gesloten bakje. Micro-organismen die zich verspreiden vanuit containers zonder deksel kunnen onaangename geuren veroorzaken.</li> <li>• Neem vervallen voedingswaren en gemorste gerechten altijd meteen uit de koelkast.</li> </ul> <p><b>De deur sluit niet.</b></p> <ul style="list-style-type: none"> <li>• Voedselpakketjes kunnen er de reden van zijn dat de deur niet sluit. &gt;&gt;&gt;Verplaats de verpakkingen die de deur belemmeren.</li> <li>• De koelkast staat niet volledig waterpas op de vloer. &gt;&gt;&gt;Stel de stelvoetjes bij om de koelkast waterpas te zetten.</li> <li>• De vloer is niet gelijk of stevig. &gt;&gt;&gt;Zorg dat de vloer vlak is en de koelkast kan dragen.</li> </ul> <p><b>Groenteladen zitten vast.</b></p> <ul style="list-style-type: none"> <li>• De levensmiddelen kunnen de bovenzijde van de lade raken. &gt;&gt;&gt;Herschik de levensmiddelen in de lade.</li> </ul>
---

<p><b>Als Het Oppervlak Van Het Product Heet Is.</b></p> <ul style="list-style-type: none"> <li>• Tijdens de werking kunnen tussen de twee deuren, de zijpanelen en de achterste grill hoge temperaturen worden waargenomen. Dit is normaal en behoeft geen serviceonderhoud!</li> </ul>
--

## DISCLAIMER / WAARSCHUWING

Sommige (eenvoudige) defecten kunnen correct worden behandeld door de eindgebruiker zonder dat dit aanleiding geeft tot veiligheidsproblemen of een onveilig gebruik, op voorwaarde dat ze worden uitgevoerd binnen de limieten en in overeenstemming met de volgende instructies (zie het hoofdstuk "Zelf-reparatie").

Om die reden, tenzij anderszits toegelaten in het onderstaande hoofdstuk "Zelf-reparatie", moeten reparaties worden uitgevoerd door geregistreerde professionele monteurs om veiligheidsproblemen te voorkomen. Een geregistreerde professionele monteur is een professionele monteur die toegang heeft gekregen tot de instructies en de lijst met reserveonderdelen van dit product door de fabrikant, in overeenstemming met de methoden beschreven in wetsbesluiten in overeenstemming met Richtlijn 2009/125/EC.

Hoewel, de onderhouds- en reparatiewerken in het kader van de garantievoorwaarden mogen uitsluitend worden uitgevoerd door de gespecialiseerd vertegenwoordiger (m.a.w. geautoriseerde professionele monteurs) die u kunt bereiken via het telefoonnummer vermeld in de gebruikshandleiding/garantiekartaal of via uw geautoriseerde verdeler. Om die reden zullen reparaties die worden uitgevoerd door professionele monteurs (die niet zijn geautoriseerd door Beko) de garantie nietig verklaren.

### Zelf-reparatie

De eindgebruiker kan de volgende reserveonderdelen zelf repareren: deur handgrepen, deur scharnieren, laden, manden en deurpakkingen (een bijgewerkte lijst is ook beschikbaar op support.beko.com op 1 maart 2021).

Bovendien, om de veiligheid van het product te garanderen en het risico van ernstig letsel te voorkomen, moet de vermelde zelf-reparatie worden uitgevoerd in overeenstemming met de instructies in de handleiding voor zelf-reparatie of die beschikbaar is in support.beko.com. Uit veiligheidsoverwegingen moet u de stekker van het product loskoppelen voor u een zelf-reparatie probeert uit te voeren.

Reparaties en pogingen tot reparatie door eindgebruikers van onderdelen die niet zijn omvat in deze lijst en/of waarbij de instructies in de handleiding voor zelf-reparatie of die beschikbaar zijn in support.beko.com niet worden nageleefd, kunnen resulteren in veiligheidsproblemen die niet kunnen worden toegewezen aan Beko Beko en deze zullen de garantie van het product nietig verklaren.

Om die reden raden wij ten stelligste af dat eindgebruikers op eigen houtje reparaties proberen uit te voeren die buiten de vermelde lijst van reserveonderdelen vallen en in dergelijke situaties beroep doen op een geautoriseerde professionele monteur of geregistreerde professionele monteurs. Dergelijke pogingen van eindgebruikers kunnen daarentegen veiligheidsproblemen en schade aan het product veroorzaken en resulteren in brand, overstromingen, elektrische schokken en ernstig persoonlijk letsel.

Als voorbeeld, maar niet beperkt tot, de volgende reparaties moeten worden uitgevoerd door geautoriseerde professionele servicemonteurs of geregistreerde professionele monteurs: compressor, koelcircuit, moederbord, omzetter bord, weergavebord, etc.

De fabrikant/verkoper kan niet aansprakelijk worden gesteld wanneer eindgebruikers de bovenstaande instructies niet naleven.

De beschikbaarheid van de reserveonderdelen van de koelkast die u hebt gekocht is 10 jaar. Tijdens deze periode zijn de originele reserveonderdelen beschikbaar voor de correcte werking van uw koelkast.

De minimale duur van de garantie van de koelkast die u hebt gekocht, is 24 maanden.

Dit product is uitgerust met een lichtbron van de "G"-energieklasse.

De lichtbron in dit product mag enkel worden vervangen door professionele reparateurs.

## **Veillez d'abord lire la notice d'utilisation !**

Chère cliente, cher client,

Nous espérons que votre produit, qui a été fabriqué dans des usines modernes et vérifié au terme des procédures de contrôle de qualité les plus méticuleuses, vous aidera efficacement.

Pour cette raison, nous vous conseillons de lire attentivement tout le manuel d'utilisation de votre produit avant de vous en servir, et de le conserver ensuite pour une utilisation ultérieure.








## **Le présent manuel**

- Vous aidera à utiliser votre produit avec rapidité et sécurité.
  - Lisez le manuel avant d'installer et de faire fonctionner votre produit.
  - Respectez les instructions, notamment celles relatives à la sécurité.
  - Conservez ce manuel dans un endroit facilement accessible car vous pouvez en avoir besoin ultérieurement.
  - En plus, lisez également les autres documents fournis avec votre produit.
- Veillez noter que ce manuel peut également être valide pour d'autres modèles.

## **Symboles et descriptions**

Vous retrouverez les symboles suivants dans le présent manuel :

- ⓘ Informations importantes ou astuces.
- ⚠ Avertissement relatif aux conditions dangereuses pour la vie et la propriété.
- ⚡ Avertissement relatif à la tension électrique.

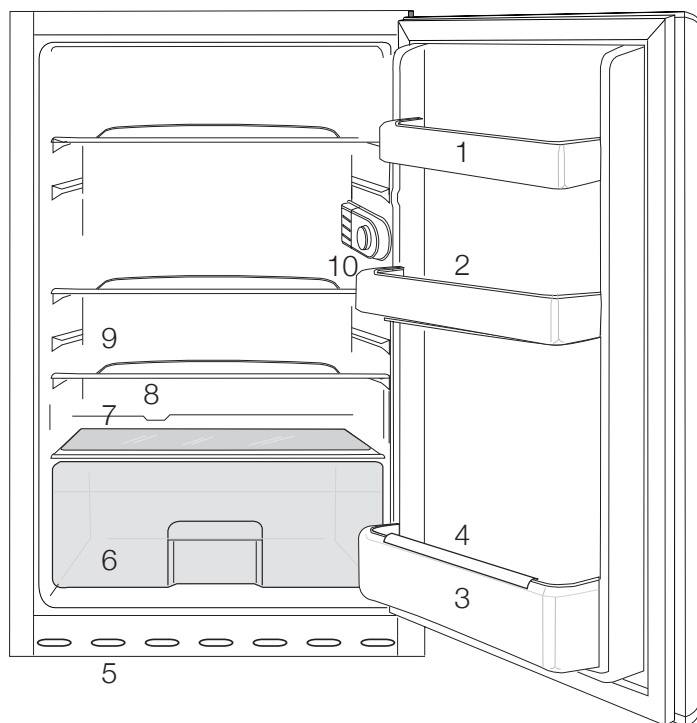
 <b>INFORMATIONS</b>				
	<p>Vous pouvez accéder aux informations relatives au modèle telles que sauvegardées dans la base de données des produits en entrant le site internet suivant et en recherchant l'identifiant de votre modèle (*) qui se trouve sur la vignette énergie</p> <p><a href="https://eprel.ec.europa.eu/">https://eprel.ec.europa.eu/</a></p>			
<table border="1"><thead><tr><th>SUPPLIER'S NAME</th><th>MODEL IDENTIFIER (*)</th></tr></thead><tbody><tr><td></td><td></td></tr></tbody></table>		SUPPLIER'S NAME	MODEL IDENTIFIER (*)	
SUPPLIER'S NAME	MODEL IDENTIFIER (*)			
				

## TABLE DES MATIÈRES

---

<b>1 Votre réfrigérateur</b>	<b>4</b>	<b>4 Préparation</b>	<b>17</b>
<b>2 Précautions de sécurité importantes</b>	<b>5</b>	<b>5 Utilisation du réfrigérateur</b>	<b>18</b>
Sécurité générale.....	6	Réglage de la température de fonctionnement.....	18
Pour les appareils dotés d'une fontaine à eau.....	9	La température de fonctionnement est réglée à l'aide de la commande de température.....	18
Sécurité enfants.....	9	Utilisation des compartiments intérieurs.....	18
Conformité avec la réglementation DEEE et mise au rebut des déchets...	9	Réfrigération.....	18
Informations relatives à l'emballage	10	Décongélation.....	19
Avertissement HC.....	10	<b>6 Entretien et nettoyage</b>	<b>20</b>
Mesures d'économie d'énergie.....	10	Protection des surfaces en plastique.....	21
<b>3 Installation</b>	<b>12</b>	<b>7 Dépannage</b>	<b>22</b>
Éléments à prendre en considération lors du déplacements de votre réfrigérateur.....	12		
Avant de mettre votre réfrigérateur en marche.....	12		
Branchement électrique.....	13		
Mise au rebut de l'emballage.....	13		
Mise au rebut de votre ancien réfrigérateur.....	13		
Disposition et Installation.....	14		
Remplacement de l'ampoule.....	14		
Réversibilité des portes.....	15		
Réversibilité des portes.....	16		

# 1 Votre réfrigérateur



1. Casier à œufs
2. Balconnets de porte
3. Clayette range-bouteilles
4. Cale-bouteilles
5. Grille d'aération
6. Bac à légumes
7. Couverture du bac à légumes
8. Voie de récupération de l'eau de dégivrage -  
Tube d'écoulement
9. Tablettes mobiles
- 10.Éclairage intérieur & commande du thermostat

**i** Les illustrations présentées dans cette notice d'utilisation sont schématiques et peuvent ne pas correspondre exactement à votre produit. Si des pièces présentées ne sont pas comprises dans le produit que vous avez acheté, elles sont valables pour d'autres modèles.


## 2 Précautions de sécurité importantes





Veuillez examiner les informations suivantes :

Cet appareil peut être utilisé par des enfants âgés d'au moins 8 ans et par des personnes ayant des capacités physiques, sensorielles ou mentales réduites ou dénuées d'expérience ou de connaissance, s'ils (si elles) sont correctement surveillé(e)s ou si des instructions relatives à l'utilisation de l'appareil en toute sécurité leur ont été données et si les risques encourus ont été appréhendés. Les enfants ne doivent pas jouer avec l'appareil. Le nettoyage et l'entretien par l'utilisateur ne doivent pas être effectués par des enfants sans surveillance.

Le non-respect de ces consignes peut entraîner des blessures ou dommages matériels. Sinon, tout engagement lié à la garantie et à la fiabilité du produit devient invalide.

Les pièces détachées d'origine sont disponibles pendant 10 ans, à compter de la date d'achat du produit.

	<p><b>REMARQUE :</b> Assurez-vous que les trous d'aération ne sont pas fermés quand le dispositif est dans son boîtier ou est installé à sa place.</p>
--	--

	<p><b>REMARQUE:</b> Ne pas utiliser tout dispositif mécanique ou un autre dispositif hors des recommandations du fabricant pour accélérer le processus de décongeler.</p>
	<p><b>REMARQUE:</b> Ne pas endommager le circuit de fluide du réfrigérateur.</p>
	<p><b>REMARQUE:</b> Ne pas utiliser des appareils électriques non prévus par le fabricant dans les compartiments de conservation des aliments.</p>
	<p><b>AVERTISSEMENT:</b> Ne conservez pas de substances explosives comme des aérosols avec un liquide inflammable dans cet appareil.</p>

Ce dispositif est conçu pour l'usage domestique ou les applications similaires suivantes :

- Pour être utilisé dans la cuisine de personnel dans les magasins, bureaux et autres environnements de travail ;
- Pour être utilisé par les clients dans les maisons de campagne et hôtels et les autres environnements d'hébergement ;

- Dans des environnements de type de pension de famille

- Dans des applications similaires n'ayant pas de service alimentaire et non détaillants

## **Sécurité générale**

- Si le cordon d'alimentation est endommagé, celui-ci doit être remplacé par le fabricant, ses agents agréés ou tout autre agent qualifié afin d'être à l'abri de tout danger.
- Avant de vous débarrasser de votre appareil, veuillez consulter les autorités locales ou votre revendeur pour connaître le mode opératoire et les organismes de collecte agréés.
- Consultez le service après-vente agréé concernant toutes questions ou problèmes relatifs au réfrigérateur. N'intervenez pas ou ne laissez personne intervenir sur le réfrigérateur sans le communiquer au service après-vente agréé.
- Pour les produits équipés d'un compartiment congélateur : ne mangez pas de cônes de crème glacée ou des glaçons immédiatement après les avoir sortis du compartiment de congélation ! (Cela pourrait provoquer des engelures).
- Pour les produits équipés d'un compartiment congélateur : ne placez pas de boissons en bouteille ou en cannette dans le compartiment de

congélation. Cela peut entraîner leur éclatement.

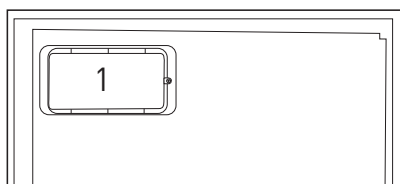
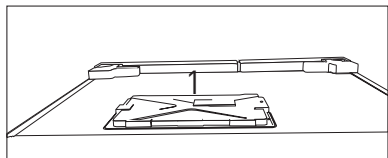
- Ne touchez pas des produits congelés avec les mains, ils pourraient se coller à celles-ci.
- Débranchez votre réfrigérateur avant de le nettoyer ou de le dégivrer.
- La vapeur et des matériaux de nettoyage pulvérisés ne doivent jamais être utilisés pour les processus de nettoyage ou de dégivrage de votre réfrigérateur. La vapeur pourrait pénétrer dans les pièces électriques et provoquer des courts-circuits ou des électrocutions.
- Ne jamais utiliser les pièces de votre réfrigérateur telles que la porte, comme un support ou une marche.
- N'utilisez pas d'appareils électriques à l'intérieur du réfrigérateur.
- N'endommagez pas les pièces où circule le liquide réfrigérant avec des outils de forage ou coupants. Le liquide réfrigérant qui pourrait s'échapper si les canalisations de gaz de l'évaporateur, les rallonges de tuyau ou les revêtements de surface étaient percés, cela pourrait irriter la peau et provoquer des blessures aux yeux.
- Ne pas couvrir ou obstruer les orifices de ventilation du réfrigérateur.

- Les appareils électriques peuvent être réparés seulement par des personnes autorisées. Les réparations réalisées par des personnes ne présentant pas les compétences requises peuvent présenter un risque pour l'utilisateur.
- En cas de dysfonctionnement ou lors d'opérations d'entretien ou de réparation, débranchez l'alimentation électrique du réfrigérateur soit en désactivant le fusible correspondant, soit en débranchant l'appareil.
- Assurez-vous que les boissons comportant un taux d'alcool très élevé sont conservées en sécurité avec leur couvercle fixé et placées en position verticale.
- Placez les boissons alcoolisées verticalement, dans des récipients convenablement fermés.
- Ne conservez jamais des aérosols contenant des substances inflammables et explosives dans le réfrigérateur.
- N'utilisez pas d'outils mécaniques ou autres dispositifs pour accélérer le processus de décongélation autres que ceux qui sont recommandés par le fabricant.
- Ce produit n'est pas conçu pour être utilisé par des personnes (enfants compris) souffrant de déficience physique, sensorielle, mentale, ou inexpérimentées, à moins d'avoir obtenu une autorisation auprès des personnes responsables de leur sécurité.
- Ne faites pas fonctionner un réfrigérateur endommagé. Consultez le service agréé en cas de problème.
- La sécurité électrique du réfrigérateur n'est assurée que si le système de mise à la terre de votre domicile est conforme aux normes en vigueur.
- L'exposition du produit à la pluie, la neige, au soleil ou au vent présente des risques concernant la sécurité électrique.
- Contactez le service agréé quand un câble d'alimentation est endommagé pour éviter tout danger.
- Ne branchez jamais le réfrigérateur à la prise murale au cours de l'installation. Vous vous exposeriez à un risque de mort ou à de blessures graves.
- Ce réfrigérateur est conçu seulement pour conserver des aliments. Par conséquent, il ne doit pas être utilisé à d'autres fins.
- L'étiquette avec les caractéristiques techniques est située sur la paroi gauche à l'intérieur du réfrigérateur.
- Ne branchez jamais votre réfrigérateur à des systèmes d'économie d'énergie, cela peut l'endommager.



- S'il y a une lumière bleue sur le réfrigérateur, ne la regardez ni avec vos yeux nus, ni avec des outils optiques pendant longtemps.
- Pour les réfrigérateurs contrôlés manuellement, attendez au moins 5 minutes pour allumer le réfrigérateur après une coupure de courant.
- Si cet appareil venait à changer de propriétaire, n'oubliez pas de remettre la présente notice d'utilisation au nouveau bénéficiaire.
- Évitez d'endommager le câble d'alimentation quand vous transportez le réfrigérateur. Tordre le câble peut entraîner un incendie. Ne placez jamais d'objets lourds sur le câble d'alimentation.
- Évitez de toucher à la prise avec des mains mouillées au moment de brancher l'appareil.
- Évitez de brancher le réfrigérateur lorsque la prise de courant électrique a lâché.
- Pour des raisons de sécurité, évitez de pulvériser directement de l'eau sur les parties externes et internes du réfrigérateur.
- Ne pulvérisez pas de substances contenant des gaz inflammables comme du propane près du réfrigérateur pour éviter tout risque d'incendie et d'explosion.
- Ne placez jamais de récipients contenant de l'eau sur votre réfrigérateur, ils pourraient causer des chocs électriques 8 | FR
- Évitez de surcharger le réfrigérateur avec une quantité excessive d'aliments. S'il est surchargé, les aliments peuvent tomber, vous blesser et endommager le réfrigérateur quand vous ouvrez la porte.
- Ne placez jamais d'objets au-dessus du réfrigérateur, ils pourraient tomber quand vous ouvrez ou fermez la porte du réfrigérateur.
- Les produits qui nécessitent un contrôle de température précis (vaccin, médicament sensible à la chaleur, matériels scientifiques, etc.) ne doivent pas être conservés dans le réfrigérateur.
- Si le réfrigérateur n'est pas utilisé pendant longtemps, il doit être débranché. Un problème avec le câble d'alimentation pourrait causer un incendie.
- Le réfrigérateur peut bouger si ses pieds réglables ne sont pas bien fixés sur le sol. Bien fixer les pieds réglables sur le sol peut empêcher le réfrigérateur de bouger.
- Quand vous transportez le réfrigérateur, ne le tenez pas par la poignée de la porte. Cela peut le casser.
- Quand vous devez placer votre produit près d'un autre réfrigérateur ou congélateur, la distance entre les appareils doit être d'au moins 8 cm. Sinon, les murs adjacents peuvent être humidifiés.

- Ne jamais utiliser le produit si la section située dans sa partie supérieure ou inférieure avec cartes de circuits imprimés électroniques à l'intérieur est ouverte (couvercle de cartes de circuits imprimés électroniques) (1).



### Pour les appareils dotés d'une fontaine à eau

- La pression de l'eau froide à l'entrée ne doit pas excéder 90 psi (6,2 bar). Si votre pression d'eau dépasse 80 psi (5,5 bar), utilisez une soupape de limitation de pression sur votre réseau de conduite. Si vous ne savez pas comment vérifier la pression de l'eau, demandez l'assistance d'un plombier professionnel.
- S'il existe un risque d'effet coup de bélier sur votre installation, utilisez systématiquement un équipement de protection contre l'effet coup de bélier sur celle-ci. Consultez des plombiers professionnels si vous n'êtes pas sûr de la présence de cet effet sur votre installation.

- Ne l'installez pas sur l'entrée d'eau chaude. Prenez des précautions contre le risque de congélation des tuyaux. L'intervalle de fonctionnement de la température des eaux doit être de 33 F (0,6°C) au moins et de 100 F (38 C) au plus.
- Utilisez uniquement de l'eau potable.

### Sécurité enfants

- Si la porte a un verrouillage, la clé doit rester hors de portée des enfants.
- Les enfants doivent être surveillés et empêchés de s'amuser avec le produit.

### Conformité avec la réglementation DEEE et mise au rebut des déchets

Ce produit ne contient pas de matériaux dangereux et interdits décrits dans la « Règlementation sur le contrôle des déchets d'équipements électriques et électroniques » publié par le Ministère de l'Environnement et de l'Urbanisme. Conforme avec la réglementation DEEE.



Le présent produit a été fabriqué avec des pièces et du matériel de qualité supérieure susceptibles d'être réutilisés et adaptés au recyclage. Par conséquent, nous vous conseillons de ne pas le mettre au rebut aux côtés des ordures ménagères à la fin de sa durée de vie.

Au contraire, rendez-vous dans un point de collecte pour le recyclage de tout matériel électrique et électronique. Veuillez vous rapprocher des autorités de votre localité pour plus d'informations concernant le point de collecte le plus proche. Aidez-nous à protéger l'environnement et les ressources naturelles en recyclant les produits usagés. Pour la sécurité des enfants, coupez le câble d'alimentation et le mécanisme de verrouillage de la porte, le cas échéant. Ce faisant, vous rendez l'appareil inopérant avant sa mise au rebut.

## Informations relatives à l'emballage

Les matériaux d'emballage de cet appareil sont fabriqués à partir de matériaux recyclables, conformément à nos Réglementations Nationales en Environnement. Ne mélangez pas les matériaux d'emballage avec les déchets domestiques ou d'autres déchets. Amenez-les aux points de collecte des matériaux d'emballage, désignés par les autorités locales.

### N'oubliez pas...

Pour la préservation de la nature et de notre santé, il est indispensable de recycler les matières.

Si vous voulez contribuer au recyclage des matériaux d'emballage, vous pouvez vous renseigner auprès d'organisations environnementales ou de l'autorité locale proche de votre domicile.

## Avertissement HC

### Si le système de refroidissement de votre appareil contient R600a :

Ce gaz est inflammable. Par conséquent, veuillez prendre garde à ne pas endommager le système de refroidissement et les tuyauteries lors de son utilisation ou de son transport. En cas de dommages, éloignez votre produit de toute source potentielle de flammes susceptible de provoquer l'incendie de l'appareil. De même, placez le produit dans une pièce aérée.

### Ne tenez pas compte de cet avertissement si le système de refroidissement de votre appareil contient R134a.

Le type de gaz utilisé dans l'appareil est mentionné sur la plaque signalétique située sur la paroi gauche de l'intérieur du réfrigérateur.

Ne jetez jamais l'appareil au feu pour vous en débarrasser.

## Mesures d'économie d'énergie

- Ne laissez pas les portes du réfrigérateur ouvertes pendant une durée prolongée.
- N'introduisez pas de denrées ou de boissons chaudes dans le réfrigérateur.
- Ne surchargez pas le réfrigérateur pour ne pas obstruer pas la circulation d'air à l'intérieur.
- N'installez pas le réfrigérateur à la lumière directe du soleil ou près d'appareil émettant de la chaleur tels qu'un four, un lave-vaisselle ou un radiateur. Maintenez une distance d'au moins 30 cm entre votre réfrigérateur et toute source de chaleur, et à une distance de 5cm d'un four électrique.

- Veillez à conserver vos denrées dans des récipients fermés.
- Pour les produits équipés d'un compartiment congélateur : vous pouvez conserver une quantité maximale d'aliments dans le congélateur quand vous enlevez l'étagère ou le tiroir du congélateur. La consommation d'énergie précisée pour votre réfrigérateur a été déterminée en enlevant l'étagère ou le tiroir du congélateur et avec la charge maximale. Il n'y a aucun risque à utiliser une étagère ou un tiroir en fonction des formes et tailles des denrées à congeler.
- La décongélation des aliments dans le compartiment réfrigérateur permet de faire des économies d'énergie et de préserver la qualité des aliments.

## 3 Installation

### **⚠ AVERTISSEMENT:**

Dans l'hypothèse où l'information contenue dans ce manuel n'a pas été prise en compte par l'utilisateur, le fabricant ne sera aucunement responsable en cas de problèmes.

### **Éléments à prendre en considération lors du déplacement de votre réfrigérateur**

1. Votre réfrigérateur doit être débranché. Avant le transport de votre réfrigérateur, vous devez le vider et le nettoyer. Avant d'emballer votre réfrigérateur, vous devez fixer ses étagères, bac, accessoires, etc, avec du ruban adhésif afin de les protéger contre les chocs.
1. L'emballage doit être solidement attaché avec du ruban adhésif épais ou avec un cordage solide. La règlementation en matière de transport et de marquage de l'emballage doit être strictement respectée.
2. L'emballage et les matériaux de protection d'emballage doivent être conservés pour les éventuels transports ou déplacements à venir.

### **Avant de mettre votre réfrigérateur en marche**

Vérifiez les points suivants avant de commencer à utiliser votre réfrigérateur

1. Fixez les câbles en plastique tel qu'indiqué sur le schéma ci-dessous. Les câbles en plastique servent à maintenir une distance permettant la circulation de l'air entre le réfrigérateur et le mur. (Cette image n'est donnée qu'à titre indicatif ; elle n'est pas identique à votre produit.)
2. Vous pouvez installer les 2 cales en plastique comme illustré dans le schéma. Les cales en plastique maintiendront la distance nécessaire entre votre Congélateur / réfrigérateur et le mur pour permettre une bonne circulation de l'air. (Le schéma présenté est fourni à titre indicatif et peut ne pas correspondre exactement avec votre produit.)
3. Nettoyez l'intérieur du réfrigérateur tel qu'indiqué dans la section « Entretien et nettoyage ».
4. Insérez la prise du réfrigérateur dans la prise murale. Lorsque la porte du réfrigérateur est ouverte, la lampe interne du réfrigérateur s'éclaire.
5. Lorsque le compresseur commence à fonctionner, il émettra un son. Le liquide et les gaz intégrés au système du réfrigérateur peuvent également faire du bruit, que le compresseur soit en marche ou non. Ceci est tout à fait normal.
6. Les parties antérieures du réfrigérateur peuvent chauffer.

Ce phénomène est normal. Ces zones doivent en principe être chaudes pour éviter tout risque de condensation.

## Branchement électrique

Branchez votre réfrigérateur à une prise électrique protégée par un fusible ayant une capacité appropriée. Important :

- Le branchement doit être conforme aux normes en vigueur sur le territoire national.
- La fiche du câble d'alimentation doit être facilement accessible après installation.
- La sécurité électrique du réfrigérateur n'est assurée que si le système de mise à la terre de votre domicile est conforme aux normes en vigueur.
- La tension indiquée sur l'étiquette située sur la paroi gauche interne de votre produit doit correspondre à celle fournie par votre réseau électrique.
- **Les rallonges et prises multivoies ne doivent pas être utilisés pour brancher l'appareil.**

### AVERTISSEMENT:

Un câble d'alimentation endommagé doit être remplacé par un électricien qualifié.

### AVERTISSEMENT:

L'appareil ne doit pas être mis en service avant d'être réparé! Cette précaution permet d'éviter tout risque de choc électrique!

## Mise au rebut de l'emballage

Les matériaux d'emballage peuvent être dangereux pour les enfants. Tenez les matériaux d'emballage hors de portée des enfants ou jetez-les conformément aux consignes établies par les autorités locales en matière de déchets. Ne les jetez pas avec les déchets domestiques, déposez-les dans les centres de collecte désignés par les autorités locales.

L'emballage de votre appareil est produit à partir de matériaux recyclables.

## Mise au rebut de votre ancien réfrigérateur

Débarrassez-vous de votre ancien réfrigérateur sans nuire à l'environnement.

- Vous pouvez consulter le service après-vente agréé ou le centre chargé de la mise au rebut dans votre municipalité pour en savoir plus sur la mise au rebut de votre produit.

Avant de procéder à la mise au rebut de votre machine, coupez la prise électrique et, le cas échéant, tout verrouillage susceptible de se trouver sur la porte. Rendez-les inopérants afin de ne pas exposer les enfants à d'éventuels dangers.

## Disposition et Installation

### AVERTISSEMENT:

Si la porte d'entrée de la pièce où sera installé le réfrigérateur n'est pas assez large pour laisser passer le réfrigérateur, appelez le service après-vente qui retirera les portes du réfrigérateur et le fera entrer latéralement dans la pièce.

1. Installez le réfrigérateur dans un emplacement qui permette une utilisation pratique.
2. Maintenez le réfrigérateur éloigné de toutes sources de chaleur, des endroits humides et de la lumière directe du soleil.
3. Une ventilation d'air autour du réfrigérateur doit être aménagée pour obtenir un fonctionnement efficace. Si le réfrigérateur est placé dans un enfoncement du mur, il doit y avoir un espace d'au moins 5 cm avec le plafond et d'au moins 5 cm avec le mur. Ne placez pas l'appareil sur des revêtements tels qu'un tapis ou de la moquette.
4. Placez le réfrigérateur sur une surface plane afin d'éviter les à-coups.

## Remplacement de l'ampoule

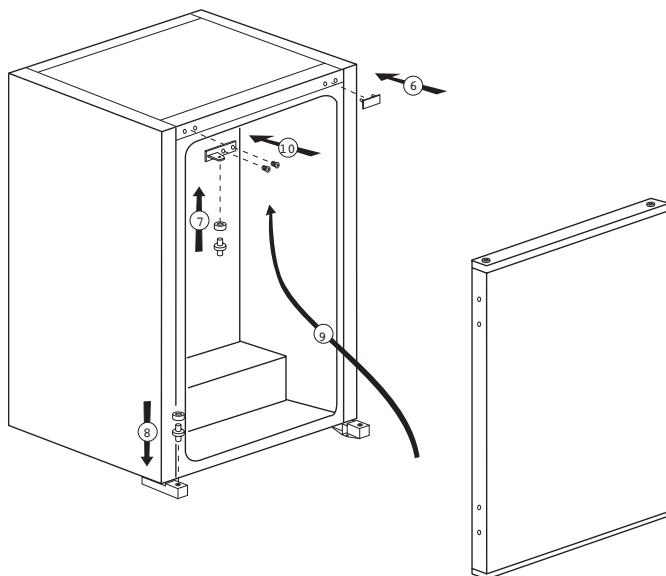
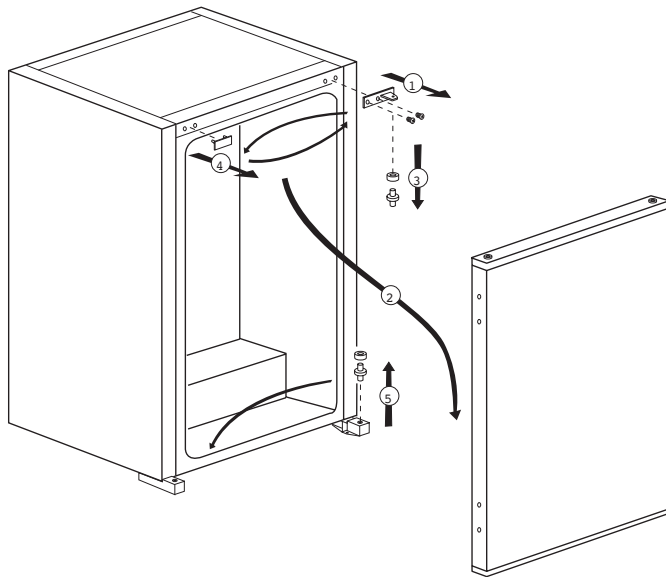
Pour remplacer la lampe LED du réfrigérateur, veuillez contacter le service après-vente agréé.

Les ampoules de cet appareil d'électroménager ne sont pas adaptées à une utilisation d'éclairage. L'utilisation recherchée de cette lampe et de permettre à l'utilisateur de placer confortablement et en sécurité les aliments dans le réfrigérateur / coffre.

Les voyants utilisés dans cet appareil doivent résister aux conditions physiques extrêmes telles que des températures inférieures à -20 °C.

# Réversibilité des portes

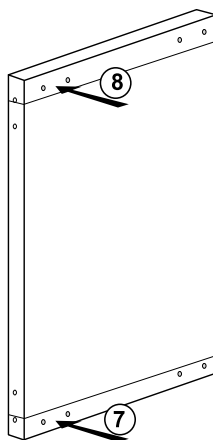
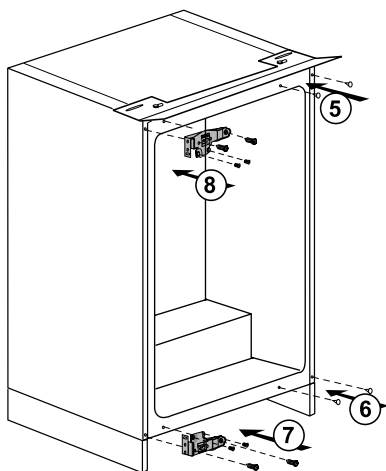
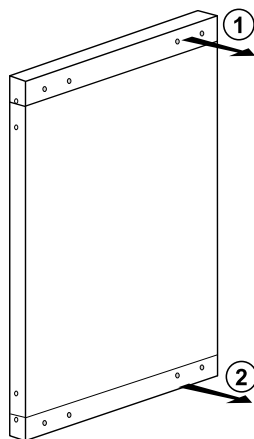
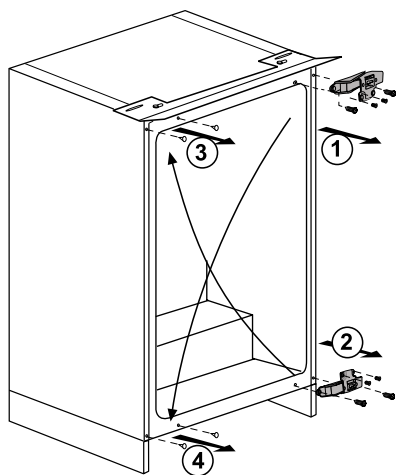
Procédez dans l'ordre numérique





# Réversibilité des portes

Procédez dans l'ordre numérique



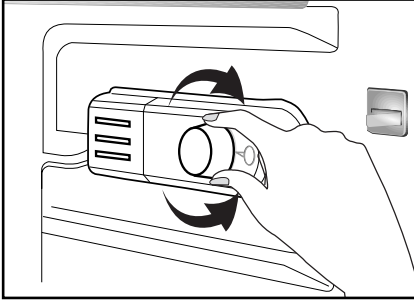
**B1802 F**

## 4 Préparation

---

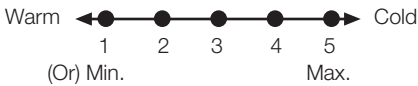
- i** Votre réfrigérateur doit être installé à au moins 30 cm des sources de chaleur telles que les plaques de cuisson, les fours, appareils de chauffage ou cuisinières, et à au moins 5 cm des fours électriques. De même, il ne doit pas être exposé à la lumière directe du soleil.
- i** La température ambiante de la pièce où vous installez le réfrigérateur doit être d'au moins 10°C. Faire fonctionner l'appareil sous des températures inférieures n'est pas recommandé et pourrait nuire à son efficacité.
- i** Veuillez vous assurer que l'intérieur de votre appareil est soigneusement nettoyé.
- i** Si deux réfrigérateurs sont installés côte à côte, ils doivent être séparés par au moins 2 cm.
- i** Lorsque vous faites fonctionner le réfrigérateur pour la première fois, assurez-vous de suivre les instructions suivantes pendant les six premières heures.
  - La porte ne doit pas être ouverte fréquemment.
  - Le réfrigérateur doit être mis en marche à vide, sans denrées à l'intérieur.
  - Ne débranchez pas le réfrigérateur. Si une panne de courant se produit, veuillez vous reporter aux avertissements dans la section « Solutions recommandées aux problèmes ».
- i** L'emballage et les matériaux de protection d'emballage doivent être conservés pour les éventuels transports ou déplacements à venir.

## 5 Utilisation du réfrigérateur



### Réglage de la température de fonctionnement

La température de fonctionnement est réglée à l'aide de la commande de température.



**1 = Réglage de réfrigération le plus faible (Réglage le plus chaud)**  
**5 = Réglage de réfrigération le plus fort (Réglage le plus froid)**

(Ou)

**Min. = Réglage de réfrigération le plus faible**

(Réglage le plus chaud)

**Min. = Réglage de réfrigération le plus fort**

(Réglage le plus froid)

La température médiane à l'intérieur du réfrigérateur doit être proche de +5 °C.

Veuillez choisir le réglage en fonction de la température désirée.

Vous remarquerez qu'il y a plusieurs températures différentes dans la zone de réfrigération.

La zone la plus froide est située directement au-dessous du bac à légumes.

La température intérieure est également fonction de la température ambiante, la fréquence d'ouverture de la porte et la quantité de denrées stockées à l'intérieur.

Si la porte est ouverte fréquemment, la température intérieure monte.

Pour cette raison, il est recommandé de refermer la porte aussitôt que possible après utilisation.

### Utilisation des compartiments intérieurs

Tablettes mobiles: L'écart entre les étagères peut être réglé si nécessaire.

Bac à légumes: Les fruits et légumes peuvent être conservés dans ce compartiment pendant de longues périodes sans se détériorer.

Clayette range-bouteilles : Les bouteilles, bocaux et les canettes peuvent être placés dans ces étagères.

### Réfrigération

#### Conservation des denrées

Le compartiment réfrigérateur est destiné à la conservation à court terme d'aliments frais et de boissons.

Conservez les produits laitiers dans le compartiment prévu à cet effet dans le réfrigérateur.

Les bouteilles peuvent être stockées sur la clayette support bouteilles ou dans le balconnet range bouteilles de la porte.

La viande crue sera conservée de manière optimale dans un sac en polyéthylène dans le compartiment situé tout en bas du réfrigérateur.

Laisser refroidir les aliments et boissons à la température ambiante avant de les mettre dans le réfrigérateur.

- Attention

Conservez l'alcool à forte concentration debout et bien fermé uniquement.

- Attention

Ne conservez pas de substances explosives ni de récipients à gaz propulseurs inflammables (crème en bombe, bombes aérosols etc.) Un risque d'explosion existe.

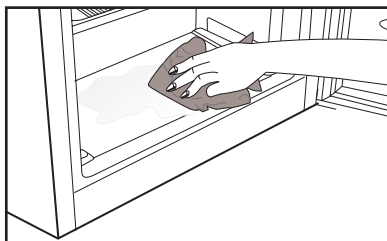
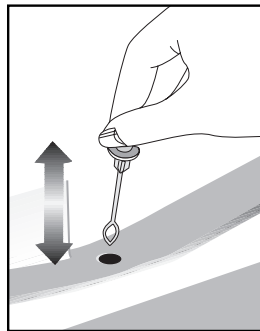
## Décongélation

Le compartiment réfrigérateur dégivre automatiquement. L'eau de dégivrage s'écoule dans la voie d'écoulement et se déverse dans le bac de récupération à l'arrière de l'appareil.

Pendant le dégivrage, des gouttelettes d'eau se forment à l'arrière du réfrigérateur à cause de l'évaporateur.

Si toutes les gouttes ne s'écoulent pas, elles peuvent geler de nouveau après le dégivrage. Enlevez-les à l'aide d'un chiffon mouillé à l'eau tiède, et jamais au moyen d'un objet dur ou tranchant.

Vérifiez l'écoulement de l'eau de dégivrage de temps en temps. L'orifice peut parfois s'obstruer.



## 6 Entretien et nettoyage

- ⚠ N'utilisez jamais d'essence, de benzène ou de matériaux similaires pour le nettoyage.
- ⚠ Nous vous recommandons de débrancher l'appareil avant de procéder au nettoyage.
- ℹ N'utilisez jamais d'ustensiles tranchants, savon, produit de nettoyage domestique, détergent et cirage pour le nettoyage.
- ℹ Pour des appareils qui ne sont pas de la marque No Frost, des gouttes d'eau et une couche de givre pouvant atteindre la largeur d'un doigt se forment sur la paroi arrière du compartiment réfrigérateur. Ne les nettoyez pas et évitez d'y utiliser de l'huile ou des produits similaires.
- ℹ Utilisez uniquement des tissus en microfibres légèrement mouillés pour nettoyer la surface externe de l'appareil. Les éponges et autres tissus de nettoyage sont susceptibles de rayer la surface.
- ℹ Utilisez de l'eau tiède pour nettoyer la carrosserie du congélateur / réfrigérateur et séchez-la soigneusement à l'aide d'un chiffon.
- ℹ Utilisez un chiffon humide imbibé d'une solution composée d'une cuillère à café de bicarbonate de soude pour un demi litre d'eau pour nettoyer l'intérieur et séchez soigneusement.
- ⚠ Prenez soin de ne pas faire couler d'eau dans le logement de la lampe et dans d'autres éléments électriques.
- ⚠ En cas de non utilisation de votre congélateur / réfrigérateur pendant une période prolongée, débranchez le câble d'alimentation, sortez toutes les denrées, nettoyez-le et laissez la porte entrouverte.
- ℹ Inspectez les joints de porte régulièrement pour vérifier qu'ils sont propres et qu'il n'y a pas de résidus de nourriture.
- ℹ Pour retirer les balconnets de portes, sortez tout son contenu puis poussez simplement le balconnet vers le haut à partir de la base.
- ℹ Ne jamais utiliser des produits nettoyants ou de l'eau contenant du chlore pour le nettoyage des surfaces externes et des pièces chromées du produit. Le chlore entraîne la corrosion de ces surfaces métalliques.
- ℹ Évitez d'utiliser des objets tranchants ou abrasifs, du savon, des produits ménagers de nettoyage, des détergents, de l'essence, du benzène, de la cire, ect. ; autrement, les marques sur les pièces en plastique pourraient s'effacer et les pièces elles-mêmes pourraient présenter des déformations. Utilisez de l'eau tiède et un torchon doux pour nettoyer et sécher.

## **Protection des surfaces en plastique.**

- Ne placez pas d'huiles ou de plats huileux dans le congélateur / réfrigérateur dans des récipients non fermés, car les graisses peuvent endommager les surfaces en plastique du congélateur / réfrigérateur. Si vous versez ou éclaboussez de l'huile sur les surfaces en plastique, nettoyez et lavez les parties souillées avec de l'eau chaude immédiatement.

## 7 Dépannage

Veillez vérifier la liste suivante avant d'appeler le service après-vente. Cela peut vous faire économiser du temps et de l'argent. Cette liste regroupe les problèmes les plus fréquents ne provenant pas d'un défaut de fabrication ou d'utilisation du matériel. Il se peut que certaines des fonctions décrites ne soient pas présentes sur votre produit.

### Le réfrigérateur ne fonctionne pas.

- La fiche n'est pas insérée correctement dans la prise. >>> Insérez correctement la fiche dans la prise.
- Est-ce que le fusible ou le fusible principal a sauté? >>> Vérifiez le fusible.

### Condensation sur la paroi intérieure du compartiment réfrigérateur. (MULTIZONE, COOL CONTROL et FLEXI ZONE).

- La porte a été ouverte souvent. >>> Évitez d'ouvrir et de fermer trop fréquemment la porte du réfrigérateur.
- L'environnement est très humide. >>> N'installez pas votre réfrigérateur dans des endroits très humides.
- La nourriture contenant du liquide est conservée dans des récipients ouverts. >>> Ne conservez pas de la nourriture contenant du liquide dans des récipients ouverts.
- La porte du réfrigérateur est laissée entrouverte. >>> Fermez la porte du réfrigérateur.
- Le thermostat est réglé à un niveau très froid. >>> Réglez le thermostat à un niveau adapté.

### Le compresseur ne fonctionne pas.

- Le dispositif de protection thermique du compresseur sautera en cas de coupures soudaines du courant ou de débranchement intempestif, en effet la pression du liquide réfrigérant du système de refroidissement ne sera pas équilibrée. Le réfrigérateur recommencera à fonctionner normalement après 6 minutes environ. Veuillez contacter le service après-vente si le réfrigérateur ne redémarre pas après cette période.
  - Le réfrigérateur est en mode dégivrage. >>> Cela est normal pour un réfrigérateur à dégivrage semi-automatique. Le cycle de dégivrage se déclenche régulièrement.
  - Le réfrigérateur n'est pas branché à la prise. >>> Assurez-vous que la prise est branchée dans la prise murale.
  - Les réglages de température ne sont pas effectués correctement. >>> Sélectionnez la température appropriée.
  - Il y a une panne de courant. >>> Le réfrigérateur recommence à fonctionner normalement après le retour du courant.
- ### Le niveau sonore augmente lorsque le réfrigérateur est en marche.
- Les caractéristiques de performance du réfrigérateur peuvent changer en raison des variations de la température ambiante. Cela est normal et n'est pas un défaut.

Le réfrigérateur fonctionne fréquemment ou pendant de longues périodes.

- Votre nouveau réfrigérateur est peut-être plus large que l'ancien. Les grands réfrigérateurs fonctionnent plus longtemps.
- La température de la pièce est probablement élevée. >>> Il est normal que l'appareil fonctionne plus longtemps quand la température ambiante est élevée.
- Le réfrigérateur pourrait y avoir été branché tout récemment ou pourrait avoir été chargé de denrées alimentaires. >>> Quand le réfrigérateur a été branché ou récemment rempli avec de la nourriture, il met plus de temps à atteindre la température réglée. Ce phénomène est normal.
- D'importantes quantités de denrées chaudes ont peut-être été introduites dans le réfrigérateur récemment. >>> Ne mettez pas de nourriture chaude dans le réfrigérateur.
- Les portes ont peut-être été ouvertes fréquemment ou laissées entrouvertes pendant une durée prolongée. >>> L'air chaud qui entre dans l'appareil oblige le réfrigérateur à travailler sur de plus longues périodes. N'ouvrez pas les portes fréquemment.
- La porte du réfrigérateur est probablement entrouverte. >>> Vérifiez que les portes sont bien fermées.
- Le réfrigérateur est réglé à une température très basse. >>> Réglez la température du réfrigérateur à un degré supérieur et attendez que la température réglée soit atteinte.
- Le joint de la porte du réfrigérateur ou du congélateur peut être sale, déchiré, rompu ou mal en place. >>> Nettoyez ou remplacez le joint. Tout joint endommagé/déchiré fait fonctionner le réfrigérateur pendant une période de temps plus longue afin de conserver la température actuelle.

La température du congélateur est très basse alors que celle du réfrigérateur est correcte.

- La température du congélateur est réglée à une température très basse. >>> Réglez la température du congélateur à un degré supérieur et vérifiez.

La température du réfrigérateur est très basse alors que celle du congélateur est correcte.

- La température du réfrigérateur est réglée à une température très basse. >>> Réglez la température du réfrigérateur à un degré supérieur et vérifiez.

Les denrées conservées dans les tiroirs du compartiment de réfrigération sont congelées.

- La température du réfrigérateur est réglée à une température très basse. >>> Réglez la température du réfrigérateur à un niveau inférieur et vérifiez.



### La température dans le réfrigérateur ou le congélateur est très élevée.

- La température du réfrigérateur est réglée à une température très basse. >>>Le réglage du compartiment réfrigérant a un effet sur la température du congélateur. Changez les températures du réfrigérateur ou du congélateur et attendez que les compartiments atteignent une température suffisante.
- Les portes ont peut être été ouvertes fréquemment ou laissées entrouvertes pendant une durée prolongée. >>>N'ouvrez pas les portes fréquemment.
- La porte est entrouverte. >>>Refermez complètement la porte.
- Le réfrigérateur a été récemment branché ou rempli avec de la nourriture. >>>Ce phénomène est normal. Lorsque le réfrigérateur vient d'être branché ou récemment rempli avec de la nourriture, il met plus de temps à atteindre la température réglée.

- D'importantes quantités de denrées chaudes ont peut être été introduites dans le réfrigérateur récemment. >>>Ne mettez pas de nourriture chaude dans le réfrigérateur.

### Vibrations ou bruits

- Le sol n'est pas plat ou stable. >>>Si le réfrigérateur balance lorsqu'il est déplacé lentement, équilibrez-le en ajustant sa base. Assurez-vous que le sol est plat et suffisamment solide pour supporter le poids et le volume de l'appareil.
- Les éléments placés sur le réfrigérateur peuvent faire du bruit. >>>Enlevez les éléments du haut du réfrigérateur.

### Le réfrigérateur produit des bruits semblables à de l'eau qui coule, à la pulvérisation d'un liquide, etc.

- Des écoulements de gaz et de liquides surviennent dans le réfrigérateur, de par ses principes de fonctionnement. Cela est normal et n'est pas un défaut.

### Un sifflement sort du réfrigérateur.

- Les ventilateurs sont utilisés pour refroidir le réfrigérateur. Cela est normal et n'est pas un défaut.

### Condensation sur les parois intérieures du réfrigérateur.

- Un temps chaud et humide augmente la formation de givre et de condensation. Cela est normal et n'est pas un défaut.
- Les portes ont peut être été ouvertes fréquemment ou laissées entrouvertes pendant une durée prolongée. >>>N'ouvrez pas les portes fréquemment. Refermez-les si elles sont ouvertes.
- La porte est entrouverte. >>>Refermez complètement la porte.

### De l'humidité est présente à l'extérieur ou entre les portes du réfrigérateur.

- Il y a peut être de l'humidité dans l'air; ceci est tout à fait normal par un temps humide. Lorsque l'humidité est faible, la condensation disparaîtra.

### Présence d'une mauvaise odeur dans le réfrigérateur.

- Il n'y a pas de nettoyage régulier effectué. >>>Nettoyez régulièrement l'intérieur du réfrigérateur avec une éponge, de l'eau tiède ou du carbonate dissout dans l'eau.
- Certains récipients ou matériaux d'emballage peuvent provoquer ces odeurs. >>>Utilisez un autre récipient ou changez de marque de matériau d'emballage.
- Les denrées sont mises au réfrigérateur dans des récipients sans couvercle. >>>Conservez les aliments liquides dans des récipients fermés. Les micro-organismes issus de récipients non fermés peuvent dégager des odeurs désagréables.
- Enlevez les aliments périmés et pourris du réfrigérateur.

#### La porte ne se ferme pas.

- Des récipients empêchent la fermeture de la porte. >>>Retirez les emballages qui obstruent la porte.
- Le réfrigérateur n'est pas complètement vertical sur le sol. >>>Ajustez les pieds du réfrigérateur pour l'équilibrer.
- Le sol n'est pas plat ou solide. >>>Assurez-vous que le sol est plat et qu'il peut supporter le poids du réfrigérateur.

#### Les bacs à légumes sont coincés.

- Il se peut que les denrées touchent le plafond du tiroir. >>>Disposez à nouveau les denrées dans le tiroir.

#### Si La Surface De L'appareil Est Chaude.

- Vous pouvez observer une élévation de la température entre les deux portes, sur les panneaux latéraux et au niveau de la grille arrière pendant le fonctionnement de l'appareil. Ce phénomène est normal et ne nécessite aucune opération d'entretien !

## **CLAUSE DE NON-RESPONSABILITÉ / AVERTISSEMENT**

Il est possible de remédier à certaines défaillances (simples) de manière adéquate par l'utilisateur final sans qu'il y ait de problème de sécurité ou d'utilisation dangereuse, à condition qu'elles soient effectuées dans les limites et conformément aux instructions suivantes (voir la section « Auto-réparation »).

Dès lors, sauf autorisation contraire dans la section « Auto-réparation » ci-dessous, les réparations doivent être adressées à des réparateurs professionnels agréés afin d'éviter les problèmes de sécurité. Un réparateur professionnel agréé est un réparateur professionnel à qui le fabricant a donné accès aux instructions et à la liste des pièces détachées de ce produit selon les méthodes décrites dans les actes législatifs en application de la directive 2009/125/CE.

**Par contre, tel que mentionné dans le manuel d'utilisation/carte de garantie, seul l'agent de service (c'est-à-dire les réparateurs professionnels agréés) que vous pouvez joindre au numéro de téléphone indiqué dans le manuel d'utilisation/carte de garantie ou par l'intermédiaire de votre revendeur agréé peut fournir un service dans le cadre des conditions de garantie. Par conséquent, veuillez noter que les réparations effectuées Beko) par des réparateurs professionnels (qui ne sont pas autorisés par ) annuleront la garantie.**

### **Auto-réparation**

L'utilisateur final peut lui-même réparer les pièces de rechange ci-après :  
poignées de porte,  
charnières de porte, plateaux, paniers et joints de porte (une liste mise à jour est

également disponible à l'adresse support.beko.com au 1er mars 2021).

En outre, pour garantir la sécurité du produit et éviter tout risque de blessure grave, l'autoréparation mentionnée doit être effectuée en suivant les instructions du manuel d'utilisation pour l'autoréparation ou qui sont disponibles dans support.beko.com Pour votre sécurité, débranchez le produit avant de tenter toute autoréparation.

Les réparations et tentatives de réparation par les utilisateurs finaux pour les pièces ne figurant pas dans cette liste et/ou ne suivant pas les instructions des manuels d'utilisation pour l'autoréparation ou qui sont disponibles dans support.beko.com, pourrait donner lieu à des problèmes de sécurité non imputables à Beko, et annulera la garantie du produit. Il est donc fortement recommandé aux utilisateurs finaux de s'abstenir de tenter d'effectuer des réparations ne figurant pas sur la liste des pièces de rechange mentionnée, en s'adressant dans ce cas à des réparateurs professionnels autorisés ou à des réparateurs professionnels agréés. Au contraire, de telles tentatives de la part des utilisateurs finaux peuvent causer des problèmes de sécurité et endommager le produit et, par la suite, provoquer un incendie, une inondation, une électrocution et des blessures corporelles graves.

Sans être exhaustives, les réparations suivantes par exemple doivent être effectuées par des personnes qualifiées : les réparateurs professionnels ou les réparateurs professionnels agréés : compresseur, circuit de refroidissement, carte mère, carte de convertisseur, carte d'affichage, etc.

Le fabricant/vendeur ne peut être tenu responsable dans tous les cas où les utilisateurs finaux ne se conforment pas à ce qui précède.

La disponibilité des pièces de rechange du réfrigérateur que vous avez acheté est de 10 ans.

Pendant cette période, des pièces de rechange originales seront disponibles pour faire fonctionner correctement le réfrigérateur.

La durée minimale de garantie du réfrigérateur que vous avez acheté est de 24 mois.

Cet appareil est doté d'une source d'éclairage de classe énergétique "G".

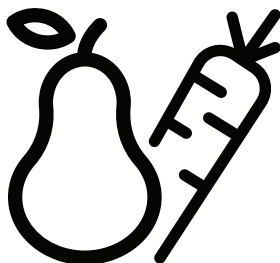
Seuls des réparateurs qualifiés sont autorisés à procéder au remplacement de la source d'éclairage de cet appareil.



**Frigorifero**  
Manuale utente

**Hladnjak**  
Korisnički priručnik

**Hladilnik**  
Navodila za uporabo



B 1802 - B 1800 HCA - B 1800 HCA W  
B 1800 HCB W - B 1810 HCA - B1803N



IT / HR / SL /

48 4129 0007 / AY  
2 / 2

## Leggere innanzitutto il manuale di istruzioni.

Gentile Cliente,

ci auguriamo che l'articolo da Lei scelto, prodotto in moderni stabilimenti e sottoposto ai più severi controlli di qualità, risponda interamente alle Sue esigenze.

A tal fine, La invitiamo a leggere attentamente il manuale di istruzioni del prodotto prima di procedere al suo utilizzo e di conservarlo per eventuali consultazioni future.


## Il presente manuale

- Aiuterà l'utente ad utilizzare l'apparecchio in modo rapido e sicuro.
  - Leggere le istruzioni per l'uso prima di installare e utilizzare il prodotto.
  - Seguire attentamente le istruzioni, in particolare quelle inerenti alla sicurezza.
  - Conservare il presente manuale in un luogo facilmente accessibile per eventuali future consultazioni.
  - Leggere inoltre gli altri documenti forniti assieme al prodotto.
- Il presente manuale può essere valido anche per altri modelli.

## Simboli e loro descrizione

Il manuale di istruzioni contiene i seguenti simboli:

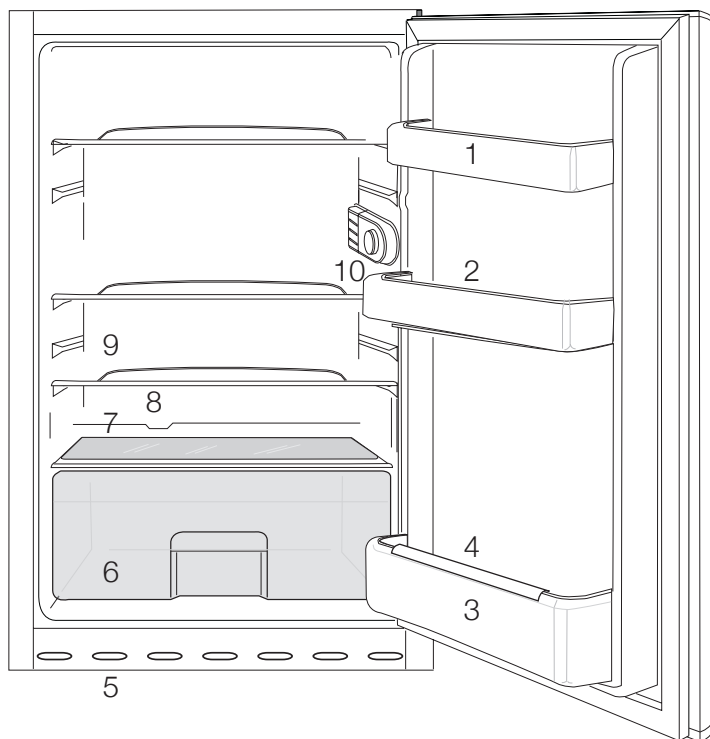
- 📘 Informazioni importanti o consigli utili di utilizzo.
- ⚠ Segnale di avvertimento in caso di situazioni pericolose per la persona o i beni.
- ⚡ Avvertimento in caso di problemi con il voltaggio.

<b>i INFORMAZIONI</b>	
	Le informazioni sul modello memorizzate nella banca dati dei prodotti possono essere consultate sul seguente sito web, cercando l'identificativo del modello (*) presente sull'etichetta energetica.
<small>SUPPLIER'S NAME</small> A →	
<small>MODEL IDENTIFIER</small> → (*)	<a href="https://eprel.ec.europa.eu/">https://eprel.ec.europa.eu/</a>

## INDICE

<b>1 Il frigorifero</b>	<b>3</b>	<b>4 Preparazione</b>	<b>14</b>
<b>2 Importanti avvertenze per la sicurezza</b>	<b>4</b>	<b>5 Utilizzo del frigorifero</b>	<b>15</b>
Uso previsto.....	4	Uso degli scomparti interni .....	15
Sicurezza generale .....	4	Raffreddamento .....	15
Sicurezza bambini .....	8	Sbrinamento .....	16
Conformità alla direttiva WEEE e allo smaltimento dei rifiuti: .....	8	<b>6 Manutenzione e pulizia</b>	<b>17</b>
Conformità alla Direttiva RoHS: .....	8	Protezione delle superfici di plastica .....	17
Informazioni sulla confezione .....	8	<b>7 Ricerca e risoluzione dei problemi</b>	<b>18</b>
Avvertenza HC .....	9		
Cose da fare per risparmiare energia	9		
<b>3 Installazione</b>	<b>10</b>		
Punti a cui prestare attenzione quando si sposta il frigorifero .....	10		
Prima di avviare il frigorifero,.....	10		
Collegamenti elettrici .....	10		
Smaltimento del materiale di imballaggio.....	11		
Smaltimento del vecchio frigorifero	11		
Posizionamento e installazione .....	11		
Cambiare la lampadina di illuminazione .....	12		
Inversione degli sportelli .....	13		

# 1 Il frigorifero



1. Scomparto per le uova
2. Scomparti della controporta
3. Ripiano bottiglie
4. Pinza per bottiglie
5. Griglia dell'aria
6. Scomparto frutta e verdura
7. Coperchio scomparto frutta e verdura
8. Canale di raccolta dell'acqua di sbrinamento - tubo di drenaggio
9. Mensole amovibili
10. Luce interna e manopola del termostato

**i** Le illustrazioni contenute in questa guida sono schematiche e potrebbero non corrispondere esattamente al prodotto in uso. Se le parti in oggetto non sono incluse nel prodotto acquistato, significa che sono da intendersi per altri modelli.



## 2 Importanti avvertenze per la sicurezza

Prendere in esame le seguenti informazioni. La mancata osservanza di queste informazioni può provocare lesioni o danni materiali. Quindi tutte le garanzie e gli impegni sull'affidabilità diventerebbero privi di validità.

I pezzi di ricambio originali verranno forniti per 10 anni, successivamente alla data di acquisto del prodotto.

### Uso previsto

⚠	<b>AVVERTENZA:</b> Assicurarsi che i fori di ventilazione non sono chiusi quando il dispositivo è nella sua custodia o quando lo si inserisce nel suo alloggiamento.
⚠	<b>AVVERTENZA:</b> Non utilizzare alcun dispositivo meccanico o altri dispositivi per accelerare il processo di sbrinamento e seguire solo i consigli del fabbricante.
⚠	<b>AVVERTENZA:</b> Non danneggiare il circuito del liquido refrigerante.

⚠	<b>AVVERTENZA:</b> Non utilizzare apparecchi elettrici non consigliati dal fabbricante all'interno dei vani per la conservazione degli alimenti.
⚠	<b>AVVERTENZA:</b> Non conservare sostanze esplosive come aerosol con gas propellenti infiammabili nell'apparecchio.

Questo apparecchio è stato progettato per applicazioni domestiche e per la seguenti applicazioni similari:

- Per essere utilizzato nelle cucine del personale di negozi, uffici e altri luoghi di lavoro;
- Per essere utilizzato dai clienti negli alberghi e nelle case di campagna, motel e altri luoghi di alloggio;
- in ambienti tipo pensioni
- in luoghi simili che non offrano servizi di ristorazione e non siano di vendita al dettaglio.

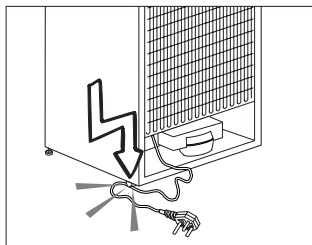
### Sicurezza generale

- Quando si vuole smaltire/eliminare l'apparecchio, è consigliabile consultare il servizio autorizzato per apprendere le informazioni necessarie e conoscere gli enti autorizzati.
- Consultare il servizio di

manutenzione autorizzato per tutti i problemi relativi al frigorifero. Non intervenire o far intervenire sul frigorifero senza informare il servizio manutenzione autorizzato.

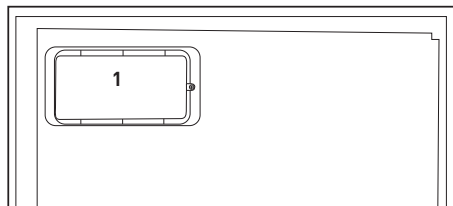
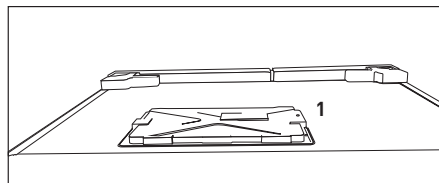
- Per apparecchi dotati di scomparto freezer; non mangiare con gelato o cubetti di ghiaccio o gelati appena estratti dal freezer! (Ciò potrebbe causare sintomi di congelamento in bocca).
- Per apparecchi dotati di scomparto freezer; non mettere bottiglie e lattine di bibite liquide nello scomparto del freezer altrimenti potrebbero esplodere.
- Non toccare con le mani gli alimenti gelati; possono incollarsi ad esse.
- Scollegare il frigorifero prima della pulizia o dello sbrinamento.
- Il vapore e i materiali per la pulizia vaporizzati non devono mai essere usati per pulire e scongelare il frigorifero. In queste situazioni, il vapore può entrare in contatto con le parti elettriche e provocare corto circuito o scossa elettrica.
- Non usare mai parti del frigorifero come lo sportello come mezzo di supporto o movimento.
- Non utilizzare dispositivi elettrici all'interno del frigorifero.
- Non danneggiare le parti, in cui circola il refrigerante, con utensili perforanti o taglienti. Il refrigerante può scoppiare quando i canali del gas dell'evaporatore, le estensioni dei tubi o le pellicole superficiali vengono punti e provocano irritazioni alla pelle e lesioni agli occhi.
- Non bloccare o coprire la ventilazione dell'elettrodomestico.
- I dispositivi elettrici devono essere riparati solo da persone autorizzate. Le riparazioni eseguite da personale non competente provocano danni all'utilizzatore.
- In caso di guasto o durante lavori di riparazione e manutenzione, scollegare la fornitura d'energia principale spegnendo il fusibile principale o scollegando la presa dell'apparecchio.
- Non tirare dal cavo quando si estrae la spina.
- Assicurarsi che le bevande alcoliche siano conservate in modo sicuro con il coperchio chiuso e posizionate in verticale.
- Non conservare mai nel frigorifero contenitori spray che contengano sostanze infiammabili ed esplosive.
- Non utilizzare apparecchiature meccaniche o altri mezzi diversi da quelli consigliati dal produttore per accelerare il processo di sbrinamento.

- Questo apparecchio non deve essere usato da persone con disturbi fisici, sensoriali o mentali o persone non preparate o senza esperienza (compresi bambini) a meno che non ricevano la supervisione da parte di una persona responsabile della loro sicurezza che li instruirà sull'uso corretto dell'apparecchio.
- Non utilizzare frigoriferi danneggiati. Consultare l'agente per l'assistenza in caso di dubbi.
- La sicurezza elettrica del frigorifero è garantita unicamente se il sistema di messa a terra dell'apparecchiatura è conforme agli standard.
- L'esposizione dell'apparecchio a pioggia, neve, sole e vento è pericolosa per la sicurezza elettrica.
- Contattare l'assistenza autorizzata quando ci sono danni ai cavi in modo da evitare pericoli.
- Non collegare mai il frigorifero alla presa a muro durante l'installazione, per evitare il rischio di morte o lesioni gravi.
- Questo frigorifero è destinato solo alla conservazione di alimenti. Non deve essere usato per altri scopi.
- L'etichetta con le specifiche tecniche si trova sulla parete sinistra nella parte interna del frigorifero.
- Non collegare mai il frigorifero a sistemi di risparmio energetico; potrebbero danneggiare il frigorifero.
- Se c'è una luce blu sul frigorifero, non guardarla a lungo a occhio nudo o con strumenti ottici.
- Per i frigoriferi con controllo manuale, attendere almeno 5 minuti per avviare il frigorifero dopo un'assenza di elettricità.
- Questo manuale operativo deve essere dato al nuovo proprietario dell'apparecchio quando il prodotto stesso viene dato ad altri.
- Evitare di provocare danni al cavo di alimentazione quando si trasporta il frigorifero. Piegare il cavo può provocare un incendio. Non mettere mai oggetti pesanti sul cavo di alimentazione.
- Non toccare la spina con le mani bagnate quando si collega l'apparecchio alla rete elettrica.



- Non collegare il frigorifero alla rete se la presa elettrica è allentata.

- Non deve essere spruzzata acqua sulle parti interne o esterne dell'apparecchio per motivi di sicurezza.
- Non spruzzare sostanze contenenti gas infiammabili come gas propano vicino al frigorifero per evitare rischio di incendio ed esplosione.
- Non mettere mai contenitori pieni di acqua sopra al frigorifero; in caso di schizzi, questo potrebbe provocare shock elettrico o incendio.
- Non sovraccaricare il frigorifero di alimenti. In caso di sovraccarico, gli alimenti potrebbero cadere provocando lesioni alla persona e danni al frigorifero quando si apre lo sportello.
- Non mettere mai oggetti sopra al frigorifero; altrimenti questi oggetti potrebbero cadere quando si apre o si chiude lo sportello del frigorifero.
- Poiché necessitano di un controllo preciso della temperatura, vaccini, medicine sensibili al calore e materiali scientifici non devono essere conservati nel frigorifero.
- Se non sarà usato per un lungo periodo, il frigorifero deve essere scollegato. Un problema possibile nel cavo di alimentazione può provocare un incendio.
- Il frigorifero potrebbe spostarsi se i piedini regolabili non sono assicurati correttamente al pavimento. Assicurare correttamente i piedini al pavimento può evitare che il frigorifero si sposti.
- Quando si trasporta il frigorifero, non tenerlo dalla maniglia dello sportello. Altrimenti si stacca.
- Quando è necessari posizionare l'apparecchio vicino ad un altro frigorifero o freezer, la distanza tra i dispositivi deve essere di almeno 8 cm. Altrimenti le pareti laterali vicine potrebbero produrre condensa.
- Non usare mai il prodotto se la sezione che si trova sulla parte superiore o posteriore del prodotto, con le schede dei circuiti elettronici stampati all'interno, è aperta (copri schede dei circuiti elettronici stampati) (1).



## Sicurezza bambini

- La pressione per l'ingresso dell'acqua fredda dovrebbe essere al massimo 90 psi (6.2 bar). Qualora la pressione dell'acqua superi il valore 80 psi (5.5 bar), usare una valvola di limitazione della pressione nel sistema principale. Qualora non si sappia come verificare la pressione dell'acqua, chiedere aiuto a un idraulico professionista.
- In caso di rischio dell'effetto "martello acqua" nel proprio impianto, usare sempre una strumentazione per evitare l'effetto "martello d'acqua" nel proprio impianto. Rivolgersi a idraulici professionisti in caso di dubbio relativamente alla presenza o meno dell'effetto "martello d'acqua" nel proprio impianto.
- Non installare l'ingresso dell'acqua calda. Prendere precauzioni contro il rischio di congelamento dei tubi. La gamma di funzionamento della temperatura dell'acqua dovrebbe essere 33°F (0.6°C) come minimo e 100°F (38°C) al massimo.
- I bambini devono ricevere supervisione per evitare che interferiscano con l'apparecchio.

## Conformità alla direttiva WEEE e allo smaltimento dei rifiuti:



Questo apparecchio è conforme alla Direttiva UE WEEE (2012/19/EU). Questo apparecchio riporta il simbolo di classificazione per i rifiuti delle apparecchiature elettriche ed elettroniche (WEEE).

Questo apparecchio è stato realizzato con parti e materiali di alta qualità che possono essere riutilizzati e sono adatti ad essere riciclati. Non smaltire i rifiuti dell'apparecchio con i normali rifiuti domestici e gli altri rifiuti alla fine della vita di servizio. Portarlo al centro di raccolta per il riciclaggio di apparecchiature elettriche ed elettroniche. Consultare le autorità locali per conoscere la collocazione di questi centri di raccolta.

## Conformità alla Direttiva RoHS:

L'apparecchio acquistato è conforme alla Direttiva UE RoHS (2011/65/EU). Non contiene materiali pericolosi o proibiti specificati nella Direttiva.

## Informazioni sulla confezione

I materiali di imballaggio del prodotto sono realizzati con materiali riciclabili secondo i nostri regolamenti nazionali sull'ambiente. Non smaltire i materiali di imballaggio con i rifiuti domestici o altri rifiuti. Portarli ai punti di raccolta dedicati ai materiali di imballaggio, previsti dalle autorità locali.

## **Cose da non dimenticare...**

Tutte le sostanze riciclate sono elementi indispensabili per la natura e la nostra ricchezza nazionale.

Se si desidera contribuire alla rivalutazione dei materiali di imballaggio, è possibile consultare le organizzazioni ambientaliste o le autorità del comune in cui si vive.

## **Avvertenza HC**

### **Se il sistema di raffreddamento dell'apparecchio contiene R600a:**

Questo gas è infiammabile. Pertanto, fare attenzione a non danneggiare il sistema di raffreddamento e le tubazioni durante l'uso e il trasporto. In caso di danni, tenere l'apparecchio lontano da potenziali fonti di incendio che possono provocarne l'incendio e ventilare la stanza in cui si trova l'unità.

### **Ignorare questa avvertenza se il sistema di raffreddamento dell'apparecchio contiene R134a.**

Il tipo di gas usato nell'apparecchio è descritto nell'etichetta con il tipo sulla parete sinistra nella parte interna del frigorifero.

Non gettare mai l'apparecchio nel fuoco per lo smaltimento.

## **Cose da fare per risparmiare energia**

- Non lasciare lo sportello del frigorifero aperto per lungo tempo.
- Non inserire alimenti caldi o bevande calde nell'elettrodomestico.
- Non sovraccaricare il frigorifero impedendo la circolazione dell'aria al suo interno.
- Non installare il frigorifero sotto la luce diretta del sole o nelle vicinanze di forni, lavastoviglie o radiatori.

Tenere il frigorifero ad almeno 30 cm dalle fonti che emettono calore e ad almeno 5 cm dai forni elettrici.

- Porre attenzione nel conservare gli alimenti in contenitori chiusi.
- Per apparecchi dotati di scomparto freezer; è possibile conservare la quantità massima di alimenti nel freezer quando si rimuove il ripiano o il cassetto del freezer. Il valore di consumo energetico dichiarato per il frigorifero è stato determinato rimuovendo il ripiano del freezer o il cassetto e in condizione di carico massimo. Non c'è pericolo nell'usare un ripiano o un cassetto secondo le forme e le dimensioni degli alimenti da congelare.
- Scongelare alimenti congelati nello scomparto frigo garantisce risparmio energetico e conserva la qualità degli alimenti.

## 3 Installazione

⚠ Se le informazioni date in questo manuale utente non sono prese in considerazione, il produttore non accetta alcuna responsabilità per questo.

### Punti a cui prestare attenzione quando si sposta il frigorifero

1. Il frigorifero deve essere scollegato. Prima del trasporto, il frigorifero deve essere svuotato e pulito.
2. Prima di imballarlo di nuovo, ripiani, accessori, scomparto frutta e verdura, ecc. all'interno del frigorifero devono essere fissati con nastro adesivo e assicurati contro i colpi. L'imballaggio deve essere eseguito con un nastro doppio o cavi sicuri e bisogna osservare rigorosamente le norme per il trasporto presenti sulla confezione.
3. Conservare i materiali originali di imballaggio per futuri trasporti o spostamenti.

### Prima di avviare il frigorifero,

Controllare quanto segue prima di utilizzare il frigorifero:

1. Montare i 2 cunei in plastica come illustrato sotto. I cunei in plastica servono a mantenere la distanza che assicura la circolazione dell'aria tra frigorifero e parete. (L'immagine è creata per illustrare e non è identica all'apparecchio).
2. Pulire la parte interna del frigorifero come consigliato nella sezione

"Manutenzione e pulizia".

3. Collegare la spina del frigorifero alla presa elettrica. Quando lo sportello del frigorifero è aperto, la lampadina interna si accende.
4. Quando il compressore comincia a funzionare, si sente un rumore. I liquidi e i gas sigillati nel sistema refrigerante possono produrre dei rumori, anche se il compressore non è in funzione; questo è abbastanza normale.
5. I bordi anteriori del frigorifero possono essere tiepidi. Questo è normale. Queste zone sono progettate per essere tiepide per evitare la condensazione.

### Collegamenti elettrici

Collegare il frigorifero ad una presa di messa a terra protetta da un fusibile della capacità appropriata.

Importante:

- Il collegamento deve essere conforme ai regolamenti nazionali.
- La spina elettrica deve essere facilmente accessibile dopo l'installazione.
- La sicurezza elettrica del frigorifero è garantita unicamente se il sistema di messa a terra dell'apparecchiatura è conforme agli standard.
- La tensione dichiarata sull'etichetta che si trova nel lato interno a sinistra dell'apparecchio deve essere pari alla tensione di rete.
- Le prolunghe e le prese multiple non devono essere usate per il collegamento.

⚠ Un cavo di alimentazione danneggiato deve essere sostituito da un elettricista qualificato.

⚠ L'apparecchio non deve essere usato finché non viene riparato! C'è rischio di shock elettrico!

## **Smaltimento del materiale di imballaggio**

I materiali di imballaggio potrebbero essere dannosi per i bambini. Tenere i materiali di imballaggio fuori dalla portata dei bambini o smaltirli classificandoli secondo le istruzioni sui rifiuti comunicate dalle autorità locali. Non smaltire assieme ai normali rifiuti domestici, smaltire nei punti di raccolta appositi indicati dalle autorità locali.

L'imballaggio del frigorifero è prodotto con materiali riciclabili.

## **Smaltimento del vecchio frigorifero**

Smaltire il vecchio frigorifero senza danni per l'ambiente.

- Bisogna consultare il rivenditore autorizzato o il centro di raccolta rifiuti della propria città per quanto riguarda lo smaltimento del frigorifero.

Prima di smaltire il frigorifero, tagliare la spina elettrica e, se ci sono blocchi allo sportello, renderli inutilizzabili per proteggere i bambini da eventuali pericoli.

## **Posizionamento e installazione**

⚠ Nel caso in cui la porta di ingresso della stanza in cui il frigorifero deve essere posizionato non è abbastanza grande per il passaggio del frigorifero, chiamare il servizio autorizzato per rimuovere le porte del frigorifero e per farlo passare attraverso la porta.

1. Installare il frigorifero in un luogo che ne permetta il facile utilizzo.
2. Tenere il frigorifero lontano da fonti di calore, luoghi umidi e luce diretta del sole.
3. Intorno al frigorifero deve esserci ventilazione appropriata per poter avere operatività efficiente. Se il frigorifero deve essere posizionato in un recesso della parete, è necessario porlo ad almeno 5 cm di distanza dal soffitto e a 5 cm dalla parete. Non posizionare l'apparecchio su materiali come tappetini o tappeti.
4. Posizionare l'elettrodomestico solo su superfici uniformi e piane per evitare dondoli.



## **Cambiare la lampadina di illuminazione**

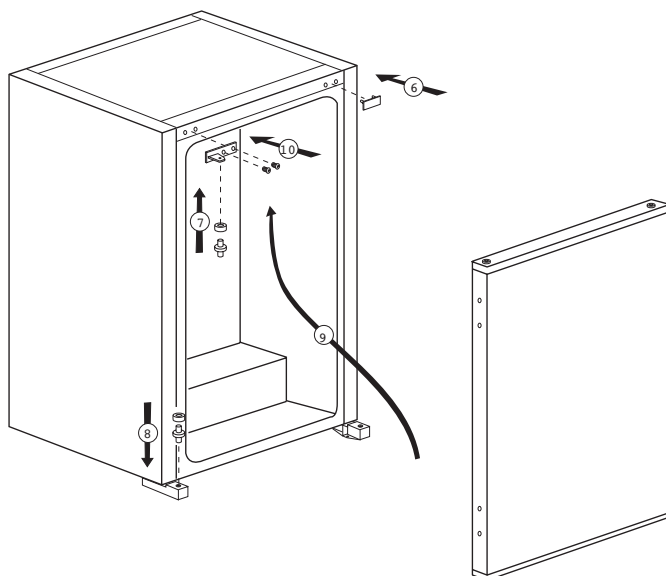
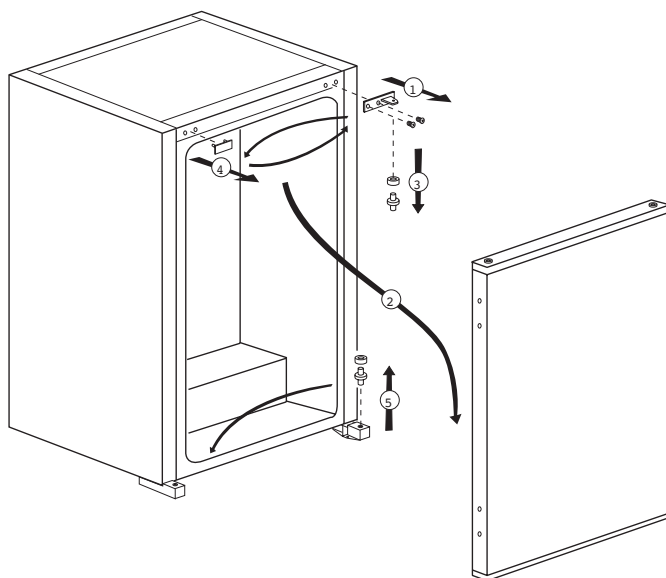
Per cambiare lampadina/LED utilizzati per illuminare il frigorifero, rivolgersi al Servizio Assistenza Autorizzato.

La lampada (le lampade) usata (usate) nell'apparecchiatura non è (sono) adatta (adatte) per l'illuminazione domestica. L'obiettivo previsto per questa lampada è quello di assistere l'utente in fase di posizionamento degli alimenti all'interno del frigorifero / congelatore in modo sicuro e comodo.

Le lampadine utilizzate in questo apparecchio devono sopportare condizioni fisiche estreme come temperature inferiori a -20 °C.

# Inversione degli sportelli

Procedere in ordine numerico

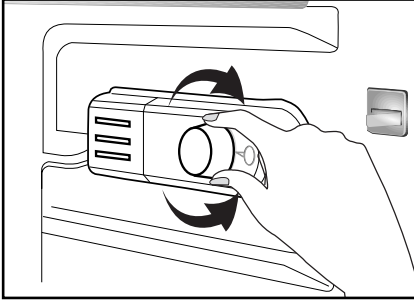


## 4 Preparazione

---

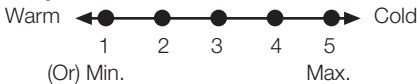
- i** Il frigorifero dovrà essere installato ad almeno 30 cm lontano da fonti di calore, come forni, riscaldamento centrale e stufe e ad almeno 5 cm da forni elettrici e non deve essere esposto alla luce diretta del sole.
- i** La temperatura ambiente della stanza in cui viene installato il frigorifero deve essere almeno 10°C. Usare il frigorifero in ambienti con temperatura inferiore non è consigliabile per motivi di efficienza.
- i** Assicurarsi che l'interno del frigorifero sia ben pulito.
- i** In caso di installazione di due frigoriferi l'uno accanto all'altro, devono esservi almeno 2 cm di distanza tra di loro.
- i** Quando il frigorifero viene messo in funzione per la prima volta, osservare le seguenti istruzioni per le prime sei ore.
  - La porta non si deve aprire frequentemente.
  - Deve funzionare vuoto senza alimenti all'interno.
  - Non staccare il frigo dalla presa di corrente. Se si verifica un calo di potenza al di là del controllo dell'utente, vedere le avvertenze nella sezione "Soluzioni consigliate per i problemi".
- i** Conservare i materiali originali di imballaggio per futuri trasporti o spostamenti.

## 5 Utilizzo del frigorifero



### Impostazione della temperatura di funzionamento

La temperatura di funzionamento è regolata con il comando temperatura.



**1 = impostazione raffreddamento minimo (Impostazione più calda)**

**5 = impostazione raffreddamento massimo (Impostazione più fredda)**

(Oppure)

**Min. = impostazione raffreddamento minimo**

(Impostazione più calda)

**Max. = impostazione raffreddamento massimo**

(Impostazione più fredda)

La temperatura media all'interno del frigo dovrebbe essere intorno a +5°C.

Scegliere l'impostazione secondo la temperatura desiderata.

Si noti che ci saranno temperature diverse nell'area di raffreddamento.

La sezione più fredda è quella immediatamente sopra lo scomparto per le verdure.

La temperatura interna dipende anche dalla temperatura ambiente, dalla frequenza con cui lo sportello

viene aperto e dalla quantità di cibo contenuto all'interno.

L'apertura frequente dello sportello provoca un aumento della temperatura interna.

Per questo motivo si consiglia di chiudere lo sportello subito dopo l'uso, il più velocemente possibile.

### Uso degli scomparti interni

Mensole amovibili: La distanza tra i ripiani può essere regolata quando necessario.

Cassetto verdura: Verdura e frutta possono essere conservate in questo scomparto per lunghi periodi, senza deteriorarsi.

Ripiano bottiglie: bottiglie, barattoli e lattine possono essere posti in questi ripiani.

### Raffreddamento

#### Conservazione alimenti

Lo scomparto frigo serve per la conservazione a breve termine di cibi freschi e bevande.

Conservare i prodotti caseari nell'apposito scomparto del frigorifero.

Le bottiglie possono essere messe nel portabottiglie o nel ripiano per bottiglie dello sportello.

La carne cruda viene conservata al meglio in una busta in polietilene nello scomparto sul fondo del frigorifero.

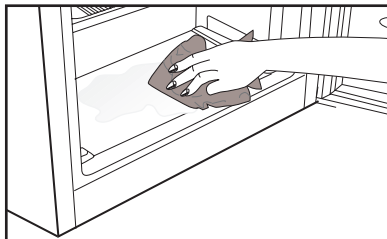
Lasciare che i cibi e le bevande calde si raffreddino fino a temperatura ambiente prima di metterli nel frigorifero.

- Attenzione

Conservare l'alcol concentrato esclusivamente in posizione verticale e perfettamente chiuso.

- Attenzione

Non conservare sostanze esplosive o contenitori con gas propellenti infiammabili (panna in bomboletta, lattine spray, ecc.) nell'elettrodomestico. Pericolo di esplosioni.



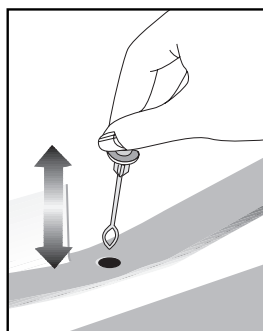
## Sbrinamento

Lo scomparto frigo si sbrina automaticamente. L'acqua di sbrinamento scorre attraverso il canale di drenaggio fino a un contenitore di raccolta sul retro dell'elettrodomestico.

Durante lo sbrinamento, si formano goccioline di acqua sul retro del frigo a causa dell'evaporatore.

Se le gocce non fluiscono tutte, potrebbero congelarsi di nuovo dopo lo sbrinamento; rimuoverle con un panno bagnato con acqua calda, ma mai con un oggetto duro o tagliente.

Controllare il flusso dell'acqua di sbrinamento di tanto in tanto: potrebbe bloccarsi.



## 6 Manutenzione e pulizia

- ⚠ Non usare mai gasolio, benzene o sostanze simili per scopi di pulizia.
- ⚠ È consigliato scollegare l'apparecchio prima della pulizia.
- ⚠ Non utilizzare mai attrezzi appuntiti o sostanze abrasive, saponi, detergenti per la casa o cere per la pulizia.
- ⚠ Per i prodotti non-No Frost, si verifica la formazione di gocce di acqua e ghiaccio fino allo spessore di un dito sulla parete posteriore dello scomparto frigo. Non pulire; non applicare mai olio né agenti simili.
- ⚠ Utilizzare solo panni umidi in microfibra per pulire la superficie esterna del prodotto. Spugne e altri tipi di panni per la pulizia possono graffiare la superficie.
- ℹ Utilizzare acqua tiepida per pulire l'alloggiamento del frigorifero e asciugarlo.
- ℹ Utilizzare un panno umido intriso di una soluzione composta da un cucchiaino di bicarbonato di soda e da circa mezzo litro di acqua e pulire l'interno, quindi asciugare.
- ⚠ Assicurarci che l'acqua non penetri nel quadro di comando della temperatura.
- ⚠ Se il frigorifero non viene usato per un lungo periodo di tempo, scollegare il cavo di alimentazione, rimuovere tutti gli alimenti dal suo interno, pulirlo e lasciare lo sportello aperto.
- ℹ Controllare le guarnizioni dello sportello periodicamente per garantire che siano pulite e che non siano presenti particelle di alimenti.
- ⚠ Per rimuovere le rastrelliere dello sportello, rimuovere tutto il contenuto e spingere semplicemente le rastrelliere verso l'alto.
- ⚠ Non utilizzare mai agenti di pulizia o acqua contenente cloro per pulire le superfici esterne e le parti rivestite in cromo dell'apparecchio. Il cloro provoca corrosione su tali superfici di metallo.
- ⚠ Non usare strumenti affilati e abrasivi o sapone, agenti detergenti domestici, detergenti, gasolio, benzene, cera, ecc., altrimenti le indicazioni sulle parti in plastica si toglieranno e si verificherà deformazione. Usare acqua tiepida e un panno morbido unicamente per le operazioni di pulizia e asciugatura.

### Protezione delle superfici di plastica

- ℹ Non inserire oli liquidi o piatti cotti in olio nel frigorifero se in contenitori non sigillati poiché questi possono danneggiare le superfici in plastica del frigorifero. In caso di fuoriuscita di olio sulle superfici in plastica, pulire e asciugare le parti della superfici con acqua tiepida.

## 7 Ricerca e risoluzione dei problemi

Prima di chiamare il servizio assistenza, rivedere la lista precedente. Si risparmierà tempo e denaro. Questa lista comprende frequenti reclami che non derivano da difetti di lavorazione o dai materiali utilizzati. Alcune delle funzioni descritte qui potrebbero non esistere nel proprio apparecchio.

### Il frigorifero non funziona.

- La spina non è inserita correttamente nella presa. >>>Inserire in modo sicuro la spina nella presa.
- Il fusibile della presa a cui è collegato il frigorifero o il fusibile principale sono saltati. >>>Controllare il fusibile.

### Condensa sulla parete laterale dello scomparto frigo (MULTIZONE, COOL CONTROL e FLEXI ZONE).

- Lo sportello è stato aperto con eccessiva frequenza. >>>Non aprire e chiudere lo sportello del frigorifero con eccessiva frequenza.
- L'ambiente è molto umido. >>>Non installare il frigorifero in luoghi molto umidi.
- Gli alimenti che contengono liquidi sono conservati in contenitori aperti. >>>Non conservare alimenti che contengono liquido in contenitori aperti.
- Lo sportello del frigorifero è lasciato aperto. >>>Chiudere lo sportello del frigorifero.
- Il termostato è impostato ad un livello molto freddo. >>>Impostare il termostato ad un livello adatto.

### Il compressore non funziona

- La protezione termica del compressore è inattiva in caso di mancanza di corrente o di mancato collegamento alla presa, se il sistema refrigerante non è ancora stato regolato. Il frigorifero comincerà a funzionare dopo circa 6 minuti. Chiamare il servizio assistenza se il frigorifero non inizia a funzionare al termine di questo periodo.
- Il frigorifero è nel ciclo di sbrinamento. >>>Si tratta di una cosa per un frigorifero con sbrinamento completamente automatico. Il ciclo di sbrinamento si verifica periodicamente.
- L'elettrodomestico non è collegato alla presa. >>>Accertarsi che la spina sia inserita nella presa.
- Le regolazioni di temperatura non sono eseguite in modo corretto. >>>Selezionare il valore di temperatura adatto.
- Vi è una mancanza di alimentazione. >>>Il frigorifero torna ad un funzionamento normale quando viene ripristinata l'alimentazione.

### Il rumore aumenta quando il frigorifero sta lavorando.

- La performance operativa del frigorifero può cambiare secondo i cambiamenti della temperatura ambiente. Si tratta di una cosa normale e non di un guasto.

**Il frigorifero funziona frequentemente o per lunghi periodi.**

- Il nuovo apparecchio è più grande del precedente. I frigoriferi più grandi lavorano per un più lungo periodo di tempo.
- La temperatura ambiente può essere alta. >>>È normale che l'apparecchio funzioni per periodi più lunghi in ambienti caldi.
- Il frigorifero è stato collegato alla presa di recente o è stato riempito di cibo. >>>Quando il frigorifero è stato appena collegato all'alimentazione o caricato con alimenti, ci vuole più tempo per raggiungere la temperatura impostata. Questo è normale.
- Grandi quantità di cibo caldo sono state recentemente inserite. >>>Non mettere alimenti caldi nel frigorifero.
- Gli sportelli sono aperti con eccessiva frequenza o sono stati lasciati aperti a lungo. >>>L'aria tiepida entrata nel frigorifero ne provoca il funzionamento per un periodo più lungo. Non aprire gli sportelli di frequente.
- Lo sportello del freezer o dello scomparto frigo sono rimasti aperti. >>>Controllare se gli sportelli sono perfettamente chiusi.
- Il frigo è regolato a temperatura molto bassa. >>>Regolare la temperatura del frigorifero ad un livello più alto e attendere fino a che la stessa sia acquisita.
- La chiusura dello sportello del frigorifero o del freezer può essere usurata, rotta o non inserita in modo appropriato. >>>Pulire o sostituire la guarnizione. Guarnizioni rotte o danneggiate provocano il funzionamento del frigo per periodi più lunghi per mantenere la temperatura corrente.

**La temperatura ambiente è molto bassa mentre la temperatura del frigorifero è sufficiente.**

- La temperatura del freezer è regolata a temperatura molto bassa. >>>Regolare la temperatura ad un livello più alto e controllare.

**La temperatura ambiente è molto bassa mentre la temperatura del freezer è sufficiente.**

- La temperatura del frigo è regolata a temperatura molto bassa. >>>Regolare la temperatura ad un livello più alto e controllare.

**Gli alimenti che sono nei cassetti dello scomparto frigo sono congelati.**

- La temperatura del frigo è regolata su un valore molto alto. >>>Regolare la temperatura del frigo ad un livello più basso e controllare.

**La temperatura del frigo o freezer è molto alta.**

- La temperatura del frigo è regolata su un valore molto alto. >>>L'impostazione della temperatura dello scomparto frigo provoca effetti sulla temperatura del freezer. Cambiare le temperature di frigo o freezer e aspettare finché i relativi scomparti non raggiungono una temperatura sufficiente.
- Gli sportelli sono aperti con eccessiva frequenza o sono stati lasciati aperti a lungo. >>>Non aprire gli sportelli di frequente.
- Lo sportello è aperto. >>>Chiudere completamente lo sportello.
- Il frigorifero è stato recentemente collegato all'alimentazione o caricato con alimenti. >>>Questo è normale. Quando il frigorifero è stato appena collegato all'alimentazione o caricato con alimenti, ci vuole più tempo per raggiungere la temperatura impostata.
- Grandi quantità di cibo caldo sono state recentemente inserite. >>>Non mettere alimenti caldi nel frigorifero.



<ul style="list-style-type: none"> <li>• <b>Vibrazioni o rumore.</b></li> </ul>
<ul style="list-style-type: none"> <li>• Il pavimento non è orizzontale o stabile. &gt;&gt;&gt;Se il frigorifero ondeggia quando è mosso lentamente, equilibrarlo regolando i piedini. Accertarsi anche che il pavimento sia in piano e forte abbastanza da sopportare il frigorifero.</li> <li>• Gli articoli messi sul frigorifero possono provocare rumore. &gt;&gt;&gt;Rimuovere gli articoli da sopra al frigorifero.</li> </ul>
<p><b>Ci sono rumori che provengono dal frigorifero come gocciolamenti, spruzzo di liquidi, ecc.</b></p>
<ul style="list-style-type: none"> <li>• Il flusso di liquido e gas si verifica secondo i principi operativi del frigorifero. Si tratta di una cosa normale e non di un guasto.</li> </ul>
<p><b>Dal frigorifero si sente un fischio.</b></p>
<ul style="list-style-type: none"> <li>• Le ventole sono usate per raffreddare il frigorifero. Si tratta di una cosa normale e non di un guasto.</li> </ul>
<p><b>Condensa sulla parete interna del frigorifero.</b></p>
<ul style="list-style-type: none"> <li>• Il clima caldo/umido aumenta il ghiaccio e la condensa. Si tratta di una cosa normale e non di un guasto.</li> <li>• Gli sportelli sono aperti con eccessiva frequenza o sono stati lasciati aperti a lungo. &gt;&gt;&gt;Non aprire gli sportelli di frequente. Chiuderli se sono aperti.</li> <li>• Lo sportello è aperto. &gt;&gt;&gt;Chiudere completamente lo sportello.</li> </ul>
<p><b>Umidità al di fuori del frigorifero o tra le porte.</b></p>
<ul style="list-style-type: none"> <li>• Potrebbe esserci umidità nell'aria; questo è normale nei climi umidi. Al diminuire dell'umidità, la condensa scompare.</li> </ul>

<p><b>Odore cattivo dentro al frigorifero.</b></p>
<ul style="list-style-type: none"> <li>• Non viene eseguita una pulizia regolare. &gt;&gt;&gt;Pulire regolarmente l'interno del frigorifero con una spugna, acqua tiepida o carbonato di sodio diluito in acqua.</li> <li>• Alcuni contenitori o alcuni materiali per la confezione possono provocare odori. &gt;&gt;&gt;Usare contenitori diversi o marche diverse.</li> <li>• Gli alimenti sono posti nel frigorifero in contenitori non coperti. &gt;&gt;&gt;Tenere gli alimenti in contenitori chiusi. I microrganismi che fuoriescono da contenitori non coperti possono provocare odori sgradevoli.</li> <li>• Rimuovere gli alimenti scaduti e che si sono rovinati nel frigorifero.</li> </ul>
<p><b>Lo sportello non è chiuso.</b></p>
<ul style="list-style-type: none"> <li>• Gli imballaggi degli alimenti impediscono la chiusura dello sportello. &gt;&gt;&gt;Sostituire le confezioni che ostruiscono lo sportello.</li> <li>• Il frigorifero non è completamente poggiato sul pavimento. &gt;&gt;&gt;Regolare i piedini per bilanciare il frigorifero.</li> <li>• Il pavimento non è orizzontale o forte. &gt;&gt;&gt;Accertarsi che il pavimento sia in piano, forte e in grado di sopportare il frigorifero.</li> </ul>
<p><b>Gli scomparti frutta e verdura sono bloccati.</b></p>
<ul style="list-style-type: none"> <li>• Gli alimenti potrebbero toccare il tetto del cassetto. &gt;&gt;&gt;Risistemare gli alimenti nel cassetto.</li> </ul>
<p><b>Se La Superficie Del Prodotto È Bollente.</b></p>
<ul style="list-style-type: none"> <li>• Quando il prodotto è in funzione, possono essere osservate alte temperature tra i due sportelli, sui pannelli laterali e sul grill posteriore. Ciò è normale e non richiede manutenzione!</li> </ul>

## **DISCLAIMER / AVVERTENZE**

Alcuni guasti (semplici) possono essere adeguatamente gestiti dall'utente finale senza che sorgano problemi di sicurezza o utilizzi non sicuri, a condizione che vengano eseguiti entro i limiti e in conformità con le seguenti istruzioni (vedere la sezione "Riparazione fai da te").

Pertanto, salvo diversa autorizzazione nella sezione di seguito "Riparazione fai da te", le riparazioni devono essere indirizzate a manutentori professionisti registrati al fine di evitare problemi di sicurezza. Un manutentore professionista registrato è un manutentore professionista a cui è stato concesso l'accesso alle istruzioni e all'elenco dei pezzi di ricambio di questo prodotto dal produttore secondo le modalità descritte negli atti legislativi ai sensi della Direttiva 2009/125/CE.

**Tuttavia, solo l'agente dell'assistenza (ovvero i manutentori professionisti autorizzati) che è possibile contattare tramite il numero di telefono indicato nel manuale dell'utente / scheda di garanzia o tramite il rivenditore autorizzato che può fornire assistenza in base ai termini di garanzia. Pertanto, si prega di notare che le riparazioni da parte di manutentori professionisti (non autorizzati da Beko) invaliderà la garanzia.**

### **Riparazione fai da te**

La riparazione fai da te può essere eseguita dall'utente finale per quanto riguarda i seguenti pezzi di ricambio: maniglie delle porte, cerniere delle porte, vassoi, cestelli e guarnizioni delle porte (un elenco aggiornato è disponibile anche su support.beko.com dal 1° marzo 2021)

Inoltre, per garantire la sicurezza del prodotto e per prevenire il rischio di lesioni gravi, la suddetta riparazione fai da te deve essere eseguita seguendo le istruzioni nel manuale utente per la riparazione fai da te o disponibili in support.beko.com Per la propria sicurezza, scollegare il prodotto prima di tentare qualsiasi riparazione fai da te.

Tentativi di riparazione e riparazione da parte degli utenti finali per parti non incluse in tale elenco e/o che non seguono le istruzioni nei manuali utente per la riparazione fai da te o che sono disponibili in support.beko.com, potrebbe dar luogo a problemi di sicurezza non imputabili a Beko e invaliderà la garanzia del prodotto.

Pertanto, si raccomanda vivamente agli utenti finali di astenersi dal tentativo di eseguire riparazioni che non rientrano nell'elenco dei pezzi di ricambio menzionato, contattando in tali casi manutentori professionisti autorizzati o manutentori professionisti registrati. Altrimenti, tali tentativi da parte degli utenti finali possono causare problemi di sicurezza e danneggiare il prodotto e conseguentemente causare incendi, inondazioni, elettrocuzione e gravi lesioni personali.

A titolo esemplificativo, ma non esaustivo, le seguenti riparazioni devono essere indirizzate ai manutentori professionisti autorizzati o manutentori professionisti registrati: compressore, circuito frigorifero, scheda principale, scheda inverter, scheda display ecc.

Il produttore/venditore non può essere ritenuto responsabile in ogni caso in cui gli utenti finali non rispettano quanto sopra.

La disponibilità dei pezzi di ricambio frigorifero che hai acquistato è di 10 anni. Durante questo periodo saranno disponibili ricambi originali per il corretto funzionamento frigorifero.

La durata minima della garanzia del frigorifero acquistato è di 24 mesi.

Questo prodotto è dotato di una sorgente di illuminazione con classe energetica "G".

La sorgente di illuminazione nel prodotto dovrà essere sostituita solo da professionisti nel campo della riparazione.

## Molimo prvo pročitajte ovaj priručnik!

Poštovani kupci,

Nadamo se da će vam naš proizvod, proizveden u suvremenim postrojenjima i provjeren po strogim procedurama kontrole kvalitete, pružiti učinkovit rad.

Zbog toga vam preporučujemo da pažljivo pročitate cijeli priručnik proizvoda prije uporabe te da ga čuvate na pristupačnom mjestu zbog buduće uporabe.




## Ovaj priručnik




- Će vam pomoći da koristite svoj uređak brzo i sigurno.
- Pročitajte priručnik prije instaliranja i rada s vašim proizvodom.
- Slijedite upute, posebno one vezane za sigurnost.
- Čuvajte priručnik na lako dostupnom mjestu jer bam može zatrebati kasnije.
- Osim toga, također pročitajte druge dokumente dostavljene s vašim proizvodom.

Molimo imajte na umu da ovaj priručnik može vrijediti i za druge modele.

## Simboli i njihovi opisi

Ovaj korisnički priručnik sadrži sljedeće simbole:

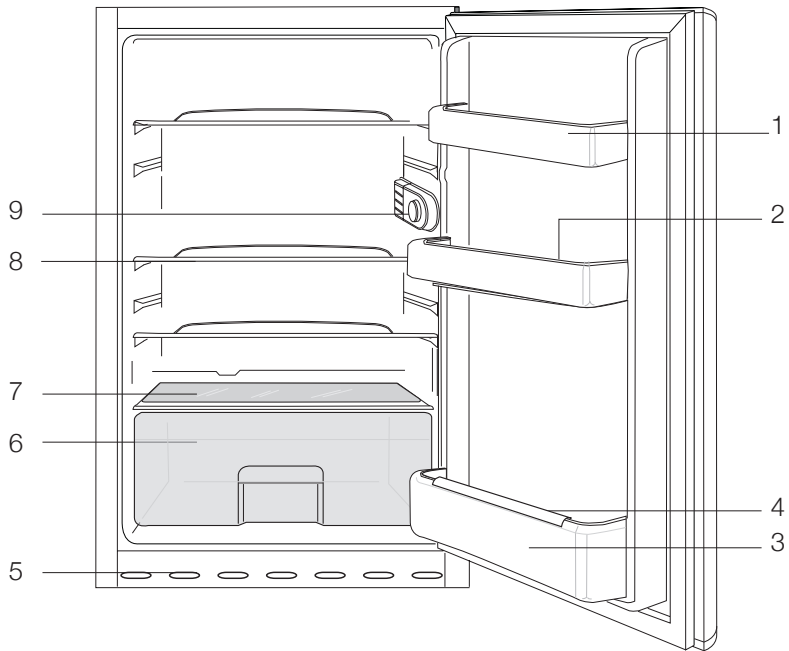
-  Važne informacije ili korisni savjeti za uporabu.
-  Upozorenja protiv opasnosti po život i imovinu.
-  Upozorenje protiv električnog napona.

 <b>PODACI</b>	
 <small>SUPPLIER'S NAME</small> <b>A</b>	 <small>MODEL IDENTIFIER</small> → (*) <b>A</b>
<p>Podaci o modelu pohranjeni u bazi podataka o proizvodu mogu se dobiti unosom sledeće mrežne stranice i pretragom po identifikacionom broju vašeg modela (*) koji se nalazi na oznaci potrošnje električne energije.</p> <p><a href="https://eprel.ec.europa.eu/">https://eprel.ec.europa.eu/</a></p>	

# SADRŽAJ

<b>1 Vaš hladnjak</b>	<b>3</b>	<b>4 Priprema</b>	<b>14</b>
<b>2 Važna sigurnosna upozorenja</b>	<b>4</b>	<b>5 Uporaba hladnjaka</b>	<b>15</b>
Predviđena namjena .....	4	Uporaba unutarnjih spremnika .....	15
Za proizvode s raspršivačem za vodu; .....	7	Hlađenje .....	15
Sigurnost djece .....	7	Odmrzavanje .....	16
Usklađenost s Direktivom o električnom i elektroničkom opremom (WEEE) i zbrinjavanju otpada: .....	7	<b>6 Održavanje i čišćenje</b>	<b>17</b>
Usklađenost s Direktivom o zabrani uporabe određenih opasnih tvari u električnoj i elektroničkoj opremi (RoHS): .....	8	Zaštita plastičnih površina .....	17
Upozorenje za HC .....	8	<b>7 Preporučena rješenja za probleme</b>	<b>18</b>
Stvari koje se trebaju uraditi za uštedu energije .....	8		
<b>3 Instalacija</b>	<b>9</b>		
Stvari kojih se treba pridržavati kod ponovnog transporta vašeg hladnjaka	9		
Prije uključivanja vašeg hladnjaka .....	9		
Električno spajanje .....	9		
Promjena lampice za osvjetljenje .....	10		
Odlaganje pakiranja .....	10		
Odlaganje stalnog hladnjaka .....	10		
Postavljanje i instalacija .....	10		
Mijenjanje smjera otvaranja vrata .....	11		
Mijenjanje smjera otvaranja vrata .....	12		
Mijenjanje smjera otvaranja vrata .....	13		

# 1 Vaš hladnjak



1. Police vrata
2. Polica za jaja
3. Police za boce
4. Držač boca
5. Zračni roštilj
6. Odjeljak za povrće
7. Poklopac odjeljka za povrće
8. Pomične police
9. Unutarnje svjetlo i tipka termostata

**i** Slike koje se nalaze u ovom priručniku su shematske i možda se ne ogovaraju u potpunosti vašem proizvodu. Ako dijelovi naslova nisu sadržani u proizvodu koji ste kupili, onda to vrijedi za ostale modele.

## 2 Važna sigurnosna upozorenja

Molimo pregledajte sljedeće informacije može uzrokovati ozljede ili materijalnu štetu. U suprotnom će sva upozorenja i obveze za pouzdanost postati nevaljane.

Originalni rezervni dijelovi bit će dostupni 10 godina od datuma kupovine proizvoda.

### Predviđena namjena

⚠	<b>UPOZORENJE:</b> Ventilacijski otvori uređaja trebaju biti u kućištu ili unutar ugradbene strukture, te ne smije biti prepreka.
⚠	<b>UPOZORENJE:</b> Ne koristite mehaničke uređaje ili druga sredstva za ubrzanje postupka odmrzavanja, osim onih koje je preporučio proizvođač.
⚠	<b>UPOZORENJE:</b> Nemojte oštetiti sklop rashladnog sredstva.
⚠	<b>UPOZORENJE:</b> Ne koristite električne uređaje unutar odjeljaka za čuvanje hrane u uređaju, osim ako nisu tip koji je preporučio proizvođač.
⚠	<b>UPOZORENJE:</b> Nemojte spremate eksplozivne supstance kao što su kantice sa sprejem sa zapaljivim pogonskim sredstvom u ovaj uređaj.

informacije. Nepridržavanje ovih Ovaj uređaj namijenjen je uporabi u kućanstvu te za primjenu u prostorima poput:

- kuhinja za osoblje, u trgovinama, uredima i drugim radnim okruženjima;
- od strane gostiju u hotelima, motelima ili drugim vrstama sličnih uslužnih objekata;
- u uslužnim objektima poput pansiona.
- za cetering i slične primjene različite od maloprodaje.

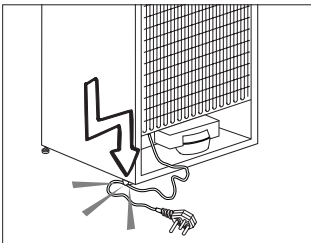
### Opća sigurnost

- Kad budete željeli odložiti uređaj, preporučujemo da konzultirate ovlaštenu servis da biste saznali potrebne informacije i ovlaštena tijela.
- Konzultirajte se s ovlaštenim servisom za sva pitanja i probleme vezane za hladnjak. Nemojte intervenirati ili dopustiti da netko intervenira na hladnjaku bez prethodnog obavješćavanja ovlaštenih servisa.
- Za proizvode u odjeljku škrinje; Ne jedite kornete sladoleda i kockice leda odmah nakon vađenja kad ih izvadite iz odjeljka hladnjaka! (To može uzrokovati ozljede od hladnoće u vašim ustima.)
- Za proizvode s odjeljkom sa škrinjom; ne stavljajte tekućinu u bocama i konzervama u odjeljak škrinje. U suprotnom bi mogli puknuti.

- Ne dodirujte smrznutu hranu rukom; može vam se zalijepiti za ruku.
- Isključite svoj hladnjak prije čišćenja ili odmrzavanja.
- Para i raspršujuća sredstva za čišćenje se nikada ne smiju koristiti tijekom postupka čišćenja i odmrzavanja u vašem hladnjaku. U takvim slučajevima, para može doći u kontakt s električnim dijelovima i uzrokovati kratki spoj ili strujni udar.
- Nikada ne koristite dijelove vašeg hladnjaka, kao što su vrata, za pridržavanje ili za stajanje na njima.
- Ne koristite električne uređaje unutar hladnjaka.
- Ne oštećujte dijelove gdje cirkulira rashladno sredstvo pomoću alata za bušenje ili rezanje. Rashladno sredstvo koje može eksplodirati kad se plinski kanali isparivača, produžetka cijevi ili površinskih premaza probuše, može uzrokovati iritaciju kože i ozljede oka.
- Ne pokrivajte i ne blokirajte otvore za ventilaciju na vašem hladnjaku bilo kakvim materijalom.
- električne aparate smiju popravljati samo ovlaštene osobe. Popravke koje izvrše nestručne osobe mogu predstavljati rizik za korisnika.
- U slučaju bilo kakvog kvara tijekom održavanja ili popravke, otpojite hladnjak s napajanja ili isključivanjem odgovarajućeg osigurača ili isključivanjem vašeg uređaja iz struje.
- Kod isključivanja utikača, nemojte povlačiti za kabel.
- Pića s visokim udjelom alkohola potrebno je pravilno spremati, u uspravnom položaju i s čvrsto zatvorenim poklopcem.
- Nikada ne držite konzerve sa sprejevima koji sadrže zapaljive i eksplozivne tvari u hladnjaku.
- Ne koristite mehaničke uređaje ili druge načine za ubrzavanje procesa topljenja, osim onih koje preporuča proizvođač.
- Ovaj uređaj nije namijenjen uporabi od strane osoba s fizičkim osjetilnim ili mentalnim nedostacima ili osoba bez znanja ili iskustva (uključujući djecu), osim ako su pod nadzorom osobe koja će biti odgovorna za njihovu sigurnost ili koja će ih valjano uputiti o uporabi proizvoda.
- Ne uključujte oštećeni hladnjak. Konzultirajte se sa serviserom ako imate bilo kakvih nedoumica.
- Za električnu sigurnost vašeg hladnjaka se jamči samo ako je uzemljenje u vašoj kući u skladu sa standardima.
- Izlaganje proizvoda kiši, snijegu, suncu i vjetru je opasno u pogledu električne sigurnosti.
- Kad je oštećen kabel, javite se ovlaštenom servisu da izbjegnute opasnost.

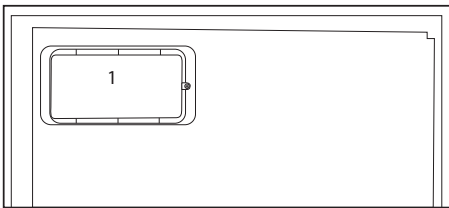
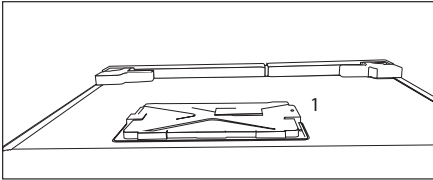


- Nikada ne uključujte hladnjak u zidnu utičnicu tijekom instalacije. Inače može doći do opasnosti po život ili ozbiljne ozljede.
- Hladnjak je namijenjen samo držanju hrane. Ne smije se koristiti u bilo koje druge svrhe.
- Naljepnica s tehničkim specifikacijama se nalazi na lijevoj stijenci unutar hladnjaka.
- Nikada ne spajajte hladnjak na sustave za uštedu energije; oni mogu oštetiti hladnjak.
- Ako na hladnjaku postoji plavo svjetlo, nemojte gledati u plavo svjetlo optičkim alatima.
- Za hladnjake kojima se upravlja manualno, sačekajte bar 5 minuta da biste uključili hladnjak nakon nestanka el. energije.
- Ukoliko se uređaj da nekom drugom, korisnički priručnik se mora predati novom vlasniku.
- Pazite da ne oštetite kabel kod prijevoza hladnjaka. Presavijanje kabela može uzrokovati požar. Nikada ne stavljajte teške predmete na kabel napajanja. Ne dodirujte utikač mokrim rukama kad uključujete uređaj.
- Voda se ne smije špricati izravno na unutarnje ili vanjske dijelove proizvoda zbog sigurnosnih razloga.
- Nemojte špricati tvari koje sadrže zapaljive plinove kao što je propan blizu hladnjaka da biste izbjegli opasnost od požara i eksplozije.
- Nikada na hladnjak ne stavljajte posude s vodom, jer inače mogu uzrokovati električni udar ili požar.
- Nemojte prepuniti hladnjak s previše hrane. Ako se prepuni, hrana može pasti i ozlijediti vas kad otvorite vrata. Nikad ne stavljajte predmete na hladnjak, inače ti predmeti mogu pasti kad otvarate ili zatvarate vrata hladnjaka.
- Proizvodi za koje je potrebna precizna kontrola temperature, cjepiva, lijekovi osjetljivi na toplinu, znanstveni materijali, itd. se ne smiju držati u hladnjaku.
- Ako se neće koristiti dulje vrijeme, hladnjak se treba isključiti. Mogući problem na kabelu napajanja može uzrokovati požar.
- Hladnjak se može pomaknuti ako podesive noge nisu pravilno pričvršćena na podu. Pravilno pričvršćivanje podesivih nogu na podu može spriječiti pomicanje hladnjaka.
- Kad nosite hladnjak, nemojte ga držati za ručku vrata. U suprotnom, može puknuti.



- Ne uključujte hladnjak ako je električna utičnica labava.

- Kad morate staviti svoj proizvod pored drugog hladnjaka ili škrinje, udaljenost između uređaja treba biti najmanje 8 cm. U suprotnom, susjedne bočne stjenke se mogu navlažiti.
- Nikad ne koristite proizvod ako dio koji se nalazi na vrhu ili poledžini proizvoda ima elektroničke tiskane pločice unutar otvora (poklopac elektroničke tiskane pločice)(1).



### Za proizvode s raspršivačem za vodu;

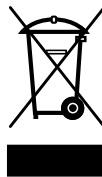
- Tlak na ulaznom otvoru hladne vode treba biti maksimalno 90 psi (620 kPa). Ako tlak vode premaši (550 kPa) tada na cijevima za opskrbu vodom koristite tlačno-granični ventil. Ako ne znate kako provjeriti tlak vode tada potražite pomoć kod profesionalnog vodoinstalatera.

- Ako u instalacijama postoji opasnost od efekta vodenog udara tada u instalacijama uvijek koristite opremu za sprječavanje vodenog udara. Posavjetujte se s profesionalnim vodoinstalaterom ako niste sigurni postroji li efekt vodenog udara u instalacijama.
- Ne instalirajte na ulaznom otvoru za vruću vodu. Poduzmite mjere opreza zbog opasnosti od zamrzavanja cijevi. Radni interval temperature vode treba biti minimalno 33°F (0.6°C) i maksimalno 100°F (38°C).
- Koristite samo pitku vodu.

### Sigurnost djece

- Ako vrata imaju bravu, ključ se treba držati podalje od dosega djece.
- Djeca moraju biti pod nadzorom da bi se spriječilo neovlašteno korištenje proizvoda.

### Usklađenost s Direktivom o električnom i elektroničkom opremom (WEEE) i zbrinjavanju otpada:



Ovaj proizvod usklađen je EU Direktivom WEEE (2012/19/EU). Ovaj proizvod nosi lasifikacijsku oznaku za električni i elektronski otpad (WEEE).

Ovaj je proizvod proizveden s visokokvalitetnim dijelovima i materijalima koji se mogu

ponovno upotrijebiti i prikladni su za reciklažu. Ne odlažite otpadne uređaje s normalnim otpadom iz kućanstva i drugim otpadom na kraju servisnog vijeka. Odnosite ga u sabirni centar za recikliranje električne i elektroničke opreme. Obratite se lokalnim vlastima da biste saznali više informacija o sabirnim centrima.

### **Usklađenost s Direktivom o zabrani uporabe određenih opasnih tvari u električnoj i elektroničkoj opremi (RoHS):**

Proizvod koji ste kupili usklađen je s EU Direktivom RoHS (2011/65/EU). Ne sadrži štetne i zabranjene materijale navedene u Direktivi.

Podaci o pakiranju Ambalažni materijali proizvoda proizvedeni su od reciklirajućih materijala sukladno našim nacionalnim propisima o zaštiti okoliša. Ambalažne materijale ne odlažite skupa s kućnim ili drugim otpadom. Odnosite ih u sabirne centre ambalažnog otpada koje su odredile lokalne vlasti.

### **Upozorenje za HC**

#### **Ako rashladni sustav vašeg uređaja sadrži R600a:**

Ovaj plin je zapaljiv. Zato pazite da tijekom uporabe i transporta ne oštetite sustav za hlađenje i cijevi. U slučaju oštećenja, držite uređaj podalje od potencijalnog izvora plamena koji može dovesti do toga da uređaj zapali, te prozračujete sobu u kojoj se nalazi uređaj.

#### **Ignorirajte ovo upozorenje ako rashladni sustav vašeg uređaja sadrži R134a.**

Vrsta plina koja se koristi u proizvodu je navedena na tipskoj pločici koja je na

lijevoj stijenci unutar hladnjaka.

Nikada kod odlaganja ne bacajte uređaj u vatru.

### **Stvari koje se trebaju uraditi za uštedu energije**

- Ne ostavljajte vrata vašeg hladnjaka otvorena dulje vrijeme.
- Ne stavljajte toplu hranu ili pića u hladnjak.
- Nemojte prepuniti hladnjak tako da se ne sprječava cirkuliranja zraka u unutrašnjosti.
- Ne postavljajte vaš hladnjak izravno na sunčevu svjetlost ili blizu uređaja koji emitiraju toplinu kao što su pećnice, perlice suđa ili radijatori.
- Pazite da držite svoju hranu u zatvorenim posudama.
- Za uređaje s odjeljkom škrinje; možete spremiti maksimalnu količinu hrane u škrinju kad uklonite policu ili ladicu škrinje. Vrijednost potrošnje energije koja je navedena za vaš hladnjak je određena tako da je uklonjena polica ili ladica škrinje i pod maksimalnim opterećenjem. Ne postoji opasnost od uporabe police ili ladice prema oblicima i veličinama hrane koja će biti zamrznuta.
- Topljenje smrznute hrane u odjeljku hladnjaka će osigurati uštedu energije u sačuvati kvalitetu hrane.

### 3 Instalacija

⚠ Molimo imajte na umu da se proizvođač neće smatrati odgovornim ukoliko se ne budete pridržavali informacija navedenih u korisničkom priručniku.

#### Stvari kojih se treba pridržavati kod ponovnog transporta vašeg hladnjaka

1. Vaš hladnjak mora biti ispražnjen i očišćen prije bilo kakvog transporta.
2. Police, dodaci, odjeljak za povrće itd. u vašem hladnjaku moraju biti čvrsto pričvršćeni ljepljivom trakom zbog treskanja prije ponovnog pakiranja.
3. Pakiranje se mora pričvrstiti ljepljivom trakom i mora se pridržavati pravila o transportu ispisanih na pakiranju.

#### Molimo ne zaboravite...

Svaki reciklirani materijal je nezamjenjiv izvor za prirodu i za naše nacionalne izvore.

Ako želite pridonijeti reciklaži materijala pakiranja, možete dobiti dodatne informacije od ureda za okoliš ili lokalnih vlasti.

#### Prije uključivanja vašeg hladnjaka

Prije početka uporabe vašeg hladnjaka provjerite sljedeće:

1. Je li unutrašnjost hladnjaka suha i može li zrak slobodno cirkulirati sa stražnje strane?
2. Možete postaviti 2 plastična klina kako je prikazano na slici. Plastični klinovi će dati osigurati potrebnu udaljenost između vašeg hladnjaka i zida da bi se omogućilo cirkuliranje

zraka. (Slika s ilustracijom je samo primjer i ne odgovara u potpunosti vašem proizvodu.)

3. Čut ćete buku kad kompresor počne raditi. Tekućine i plinovi zabrtvljeni u rashladnom sustavu također mogu stvarati buku, čak i kad kompresor ne radi i to je potpuno normalno.
4. Prednji krajevi hladnjaka mogu biti topli na opip. To je u normalno. Ova područja su napravljena da budu topla da bi se se izbjegla kondenzacija.

#### Električno spajanje

Spojite svoj proizvod u uzemljenu utičnicu koja je zaštićena osiguračem odgovarajućeg kapaciteta.

Važno:

- Spoj mora biti u skladu s nacionalnim zakonskim odredbama.
- Kabel napajanja mora biti lako dostupan nakon postavljanja.
- Navedeni napon mora biti jednak naponu el. energije.
- Produžni kabeli i razvodnici se ne smiju koristiti za spajanje.

⚠ Oštećeni kabel napajanja mora zamijeniti kvalificirani električar.

⚠ Proizvod ne smije raditi prije popravke! Postoji opasnost od električnog udara!

## Odlaganje pakiranja

Materijali pakiranja mogu biti opasni za djecu. Čuvajte materijale pakiranja dalje od dohvata djece ili ih odložite svrstavanjem u skladu s uputama o odlaganju. Nemojte ih odlagati s normalnim otpadom iz kućanstva.

Pakiranje vašeg hladnjaka je proizvedeno od recikliranih materijala.


## Odlaganje stalnog hladnjaka

Odlaganje vašeg starog stroja bez štete za okoliš.

- O odlaganju vašeg hladnjaka se možete konzultirati s vašim ovlaštenim dobavljačem ili centrom za skupljanje otpada u vašoj općini.

Prije odlaganja vašeg hladnjaka, odrežite električni utikač i, ukoliko postoje bilo kakve brave na vratima, onesposobite ih da biste zaštitili djecu od bilo kakve opasnosti.

## Postavljanje i instalacija

 Ako ulaz u prostoriju gdje će biti postavljen hladnjak nije dovoljno širok da hladnjak kroz njega prođe, pozovite ovlaštenu servisnu ekipu da skine vrata vašeg hladnjaka tako da kroz vrata prođe bočno.

1. Instalirajte vaš hladnjak na mjesto koje dopušta laku uporabu.
2. Držite vaš hladnjak podalje od izvora topline, vlažnih mjesta i direktne sunčeve svjetlosti.
3. Da bi se postigao učinkoviti rad, oko vašeg hladnjaka mora postojati odgovarajuća ventilacija. Ako se hladnjak treba postaviti u otvor u zidu, mora postojati udaljenost najmanje 5 cm od plafona i 5 cm od zida.

4. Ako je pod prekriven tepihom, vaš uređaj mora biti podignut od poda 2.5 cm. Stavite svoj hladnjak na ravnu površinu poda da biste spriječili udarce.

## Promjena lampice za osvjetljenje

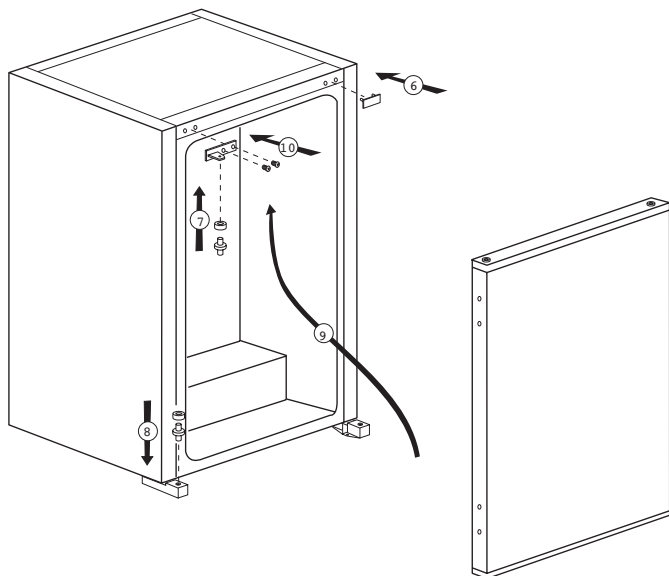
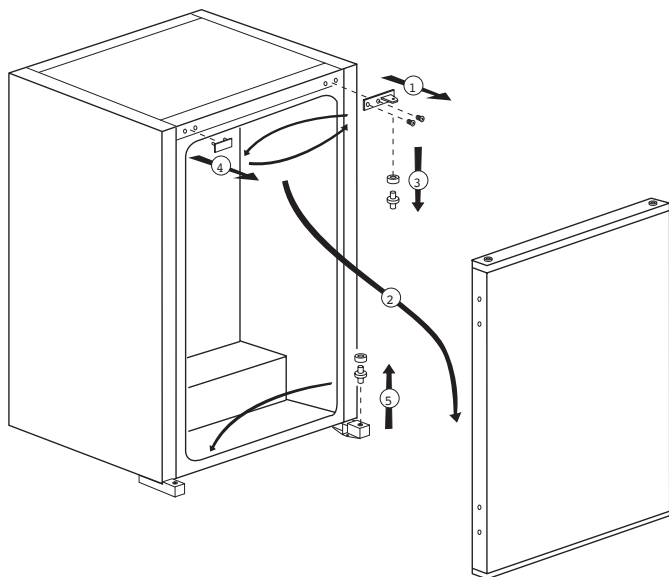
Da biste zamijenili lampicu koja se koristi za osvjetljavanje, molimo nazovite svoj ovlaštenu servisnu ekipu.

Lampa koja se koristi u ovom uređaju nije podesna za uporabu za osvjetljenje doma. Predviđena namjena ove lampe je da pomogne korisniku da stavi hranu u hladnjak/škrinju na siguran i ugodan način.

Svjetiljke ovog uređaja moraju podnijeti ekstremne uvjete poput temperatura nižih od -20 °C.

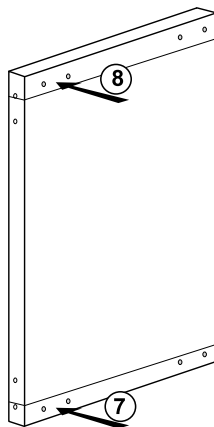
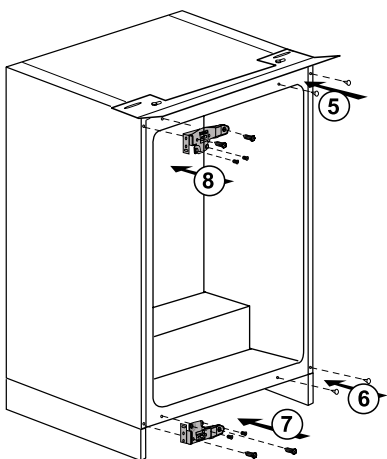
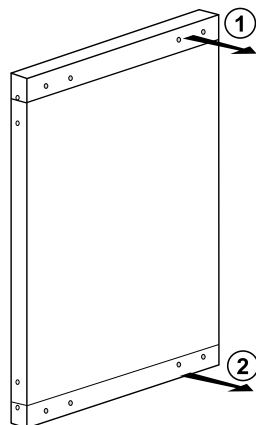
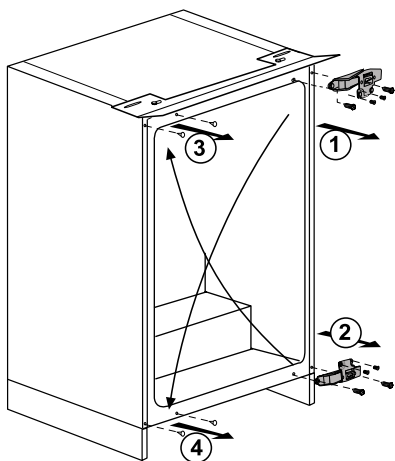
## Mijenjanje smjera otvaranja vrata

Nastavite po rednim brojevima



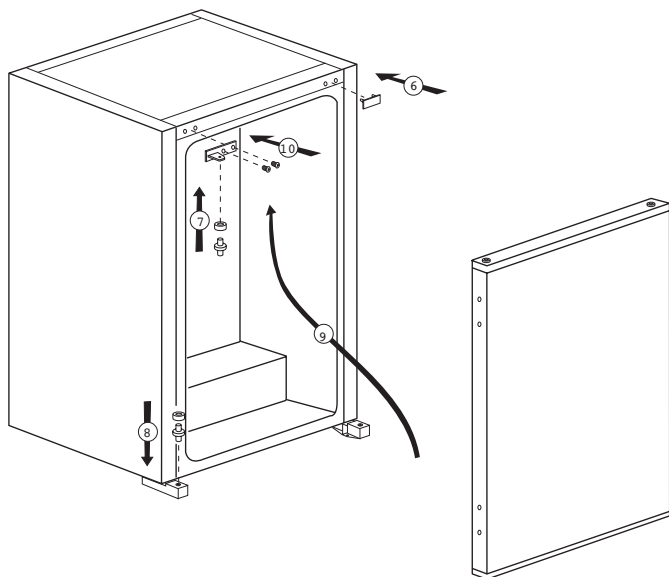
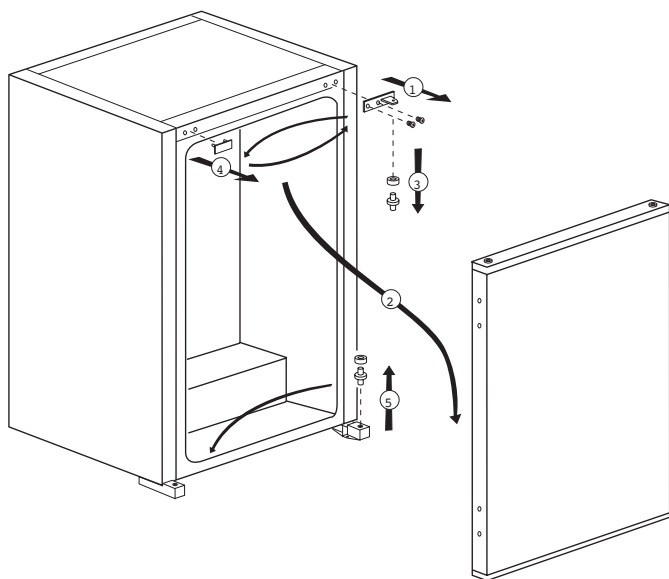
# Mijenjanje smjera otvaranja vrata

Nastavite po rednim brojevima



## Mijenjanje smjera otvaranja vrata

Nastavite po rednim brojevima



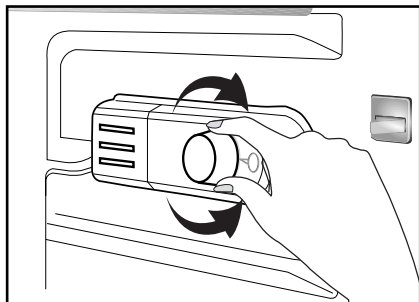


## 4 Priprema

---

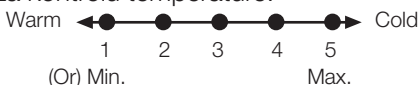
- Vaš hladnjak se treba postaviti najmanje 30 cm od izvora topline kao što su plamenici, pećnice, grijalice i štednjaci i najmanje 5 cm dalje od električnih pećnica te se ne smiju stavljati na direktnu sunčevu svjetlost.
- sobna temperatura u prostoriji u koju postavite hladnjak treba biti najmanje 10°C. Rad vašeg hladnjaka u hladnijim uvjetima od navedenih se ne preporuča vezano za učinkovitost.
- Pazite da se unutrašnjost vašeg hladnjaka temeljito čisti.
- Ako se dva hladnjaka trebaju instalirati jedan do drugog, između njih treba postojati razmak od najmanje 2 cm.
- Kada prvi put uključite hladnjak, molimo pridržavajte se sljedećih uputa tijekom prvih šest sati.
- Vrata se ne smiju često otvarati.
- Mora raditi prazan, bez ikakve hrane u njemu.
- Ne isključujte vaš hladnjak. Ako dođe do nestanka el. energije na koji ne možete utjecati, molimo pogledajte upozorenja u dijelu "Preporučena rješenja problema".
- Originalno pakiranje i materijali od pjene se trebaju čuvati zbog budućeg transporta ili selidbe.
- Kod nekih modela instrument ploča isključuje se 5 minuta nakon što se vrata zatvore. Ona će se ponovo aktivirati kada se vrata otvore ili kada se pritisne bilo koji gumb.
- S obzirom na promjenu temperature uslijed otvaranja/zatvaranja vrata proizvoda tijekom rada, kondenzacija na vratima/policama i staklenom spremniku normalna je pojava.

## 5 Uporaba hladnjaka



Odabir temperature rada

Temperatura rada se regulira tipkom za kontrolu temperature.



**1 = Najniža postavka hlađenja (najtoplija postavka)**

**5 = Najviša postavka hlađenja (najhladnija postavka)**

(Ili)

**Min. = Najniža postavka hlađenja**  
(Najtoplija postavka)

**Max. = Najviša postavka hlađenja**  
(Najhladnija postavka)

Prosječna temperatura unutar hladnjaka treba biti oko +5°C.

Molimo odaberite postavku prema željenoj temperaturi.

Molimo imajte na umu da će u prostoru za hlađenje biti različitih temperatura.

Najhladniji dio je odmah iznad odjeljka za povrće.

Unutarnja temperatura također ovisi o temperaturi okoline, učestalosti otvaranja vrata i količini hrane koja se nalazi unutra.

Često otvaranje vrata dovodi do rasta unutarnje temperature.

Zbog tog razloga, preporučamo zatvaranje vrata nakon uporabe što je češće moguće.

### Uporaba unutarnjih spremnika

Pomične police: Udaljenost između policica se može po potrebi prilagoditi.

Ladica za povrće: Povrće i voće se može skladištiti u ovom odjeljku dulje vrijeme bez propadanja.

Polica za boce: Na ove police se mogu staviti boce, tegle i konzerve.

### Hlađenje

#### Spremanje hrane

Odjeljak hladnjaka služi za kratkotrajnu pohranu svježe hrane i pića.

Mliječne proizvode držite u za to predviđenom pretincu u hladnjaku.

Boce se mogu držati u držaču za boce ili na policama za boce na vratima.

Svježe meso je najbolje držati u plastičnim vrećicama u pretincu na dnu hladnjaka.

Pustite da se hrana i piće ohlade na sobnu temperaturu prije nego ih stavite u hladnjak.

- Pažnja

Koncentrirani alkohol stavljajte samo uspravno i čvrsto zatvoren.

- Pažnja

Ne držite eksplozivne tvari ili spremnike sa zapaljivim plinom (šlag u spreju, sprejevi, itd.) Postoji opasnost od eksplozije.

## Odmrzavanje

Pretinac za zamrzavanje automatski odmrzava. Otopljena voda teče kroz kanal za odvodnju u spremnik za sakupljanje na stražnjem dijelu uređaja.

Tijekom odmrzavanja, na zadnjoj strani hladnjaka se formiraju kapi vode zbog isparivača.

S vremena na vrijeme provjerite tok otopljene vode . Povremeno se može začepiti.

## 6 Održavanje i čišćenje

- ⚠ Nikada za čišćenje nemojte koristiti benzin ili slične materijale.
- ⚠ Savjetujemo da isključite uređaj iz struje prije čišćenja.
- ⓘ Nikada za čišćenje nemojte koristiti oštre predmete ili abrazivne tvari, sapun, tekućinu za čišćenje kućanstva, deterdžent ili vosak za poliranje.
- ⓘ Za proizvode koji nisu No Frost mogu se javiti kapljice vode i led debljine prsta na stražnjoj strani odjeljka hladnjaka. Nemojte čistiti proizvod; nikada nemojte upotrebljavati ulje i slična sredstva na njemu.
- ⓘ Upotrebljavajte samo navlažene krpe od mikrovlakana za čišćenje vanjske površine proizvoda. Spužve i druge vrste krpa za čišćenje mogu izgubiti površinu.
- ⓘ Koristite mlaku vodu za čišćenje kutije hladnjaka i osušite ga krpom.
- ⓘ Koristite ocijeđenu vlažnu krpu potopljenu u otopini jedne žličice sode bikarbone na pola litre vode da biste očistili unutrašnjost i osušite je krpom.
- ⚠ Pazite da voda ne uđe u kućište lampe i druge električne dijelove.
- ⚠ Ako se aparat neće koristiti dulje vrijeme, isključite ga, izvadite svu hranu, očistite ga i ostavite vrata otvorena.
- ⓘ Provjeravajte brtve na vratima redovito da biste bili sigurni da su čisti i da na njima nema komadića hrane.
- ⓘ Da biste skinuli police s vrata, izvadite sav sadržaj i tada jednostavno gurnite policu vrata gore iz osnove.
- ⓘ Nikad ne upotrebljavajte sredstva za čišćenje ili vodu koja sadrži klor za čišćenje vanjskih površina ili kromiranih dijelova proizvoda. Klor uzrokuje koroziju na takvim metalnim površinama.
- ⓘ Ne koristite oštre i abrazivne alate ili sapun, sredstva za čišćenje u kućanstvu, deterdžente, benzin, benzen, vosak i sl. jer u protivnom naljepnice na plastičnom dijelu se mogu odlijepiti te može doći do deformacija. Za čišćenje koristite toplu vodu te osušite mekanom krpom.

### Zaštita plastičnih površina

- ⓘ Ne stavljajte tekuće ulje ili jela kuhana na ulju u vaš hladnjak u nezatvorenim posudama jer oni mogu oštetiti plastične površine hladnjaka. U slučaju proljevanja ili razmazivanja ulja na plastičnim površinama, odmah očistite i isperite odgovarajuće dijelove površine toplom vodom.

## 7 Preporučena rješenja za probleme

Molimo provjerite popis prije zvanja servisa. To vam može uštedjeti vrijeme i novac. Popis sadrži česte reklamacije koje nisu posljedica oštećenja u proizvodnji ili uporabi. Neke od opisanih mogućnosti možda ne postoje na vašem proizvodu.

### Hladnjak ne radi

- Je li hladnjak pravilno uključen na napajanje? Uključite utikač u utičnicu u zidu.
- Je li pregorio osigurač utičnice na koju je priključen vaš hladnjak? Provjerite osigurač.

### kondenzacija na bočnoj stjenci odjeljka hladnjaka. (MULTI ZONA, UPRAVLJANJE HLAĐENJEM i FLEKSI ZONA)

- Jako hladna okolina. Često otvaranje i zatvaranje vrata. Jako vlažna okolina. Čuvanje hrane koja sadrži tekućinu u otvorenim posudama. Ostavljanje vrata odškrnutim.
- Prebacivanje termostata na hladniji stupanj.
- Smanjivanje vremena kad su vrata otvorena ili rjeđa uporaba.
- Prekrivanje hrane spremljene u otvorenim posudama odgovarajućim materijalom.
- Obrišite kondenzat pomoću suhe krpe i provjerite ukoliko se i dalje javlja.

### Kompresor ne radi

- Zaštitni termički dio kompresora će pregoriti tijekom naglih nestanaka el. energije ili isključivanja priključaka jer tlak rashladnog sredstva u sustavu za hlađenje hladnjaka nije još izbalansiran.
- Vaš hladnjak će početi s radom otprilike nakon 6 minuta. Molimo nazovite servis ako se vaš hladnjak ne uključi na kraju ovog razdoblja.
- Hladnjak je u ciklusu odmrzavanja. To je normalno za hladnjak s potpuno automatskim odmrzavanjem. Ciklus za odmrzavanje se događa periodički.
- Vaš hladnjak nije uključen u utičnicu. Pazite da je utikač dobro utaknut u zidnu utičnicu.
- Je li temperatura pravilno postavljena? Došlo je do nestanka struje. Zovite vašeg dobavljača el.energije.

### **Hladnjak radi često ili dugotrajno.**

- Vaš novi hladnjak je možda širi od prethodnog. To je u potpunosti normalno. Veći hladnjaci rade dulje.
- Sobna temperatura je možda visoka. To je potpuno normalno.
- Hladnjak je možda nedavno priključen na el.energiju ili je možda napunjen hranom. Potpuno hlađenje hladnjaka može trajati nekoliko sati dulje.
- Možda su nedavno u hladnjak stavljene velike količine tople hrane. Topla hrana uzrokuje dulji rad hladnjaka dok ne dostigne sigurnu temperaturu za čuvanje.
- Vrata su možda često otvarana ili ostavljena odškrinuta dulje vrijeme. Topli zrak koji je ušao u hladnjak uzrokuje da hladnjak radi dulje vrijeme. Rjeđe otvarajte vrata.
- Vrata škrinje ili hladnjaka su možda bila odškrinuta. Provjerite jesu li vrata čvrsto zatvorena.
- Hladnjak je postavljen na vrlo nisku temperaturu. Prilagodite temperaturu hladnjaka na topliju razinu dok se ne postigne temperatura.
- Brtva vrata hladnjaka ili škrinje može biti prljava, pohabana, oštećena ili nije dobro sjela. Očistite ili zamijenite brtvu. Oštećena/ pokidana brtva uzrokuje dulji rad hladnjaka da bi se održala trenutna temperatura.

### **Temperatura hladnjaka je vrlo niska dok je temperatura frižidera dovoljna.**

- Temperatura hladnjaka je postavljena na vrlo nisku temperaturu. Prilagodite temperaturu hladnjaka na topliji stupanj i provjerite.

### **Temperatura frižidera je vrlo niska dok je temperatura hladnjaka dovoljna.**

- Temperatura hladnjaka je postavljena na vrlo nisku temperaturu. Prilagodite temperaturu hladnjaka na topliji stupanj i provjerite.

### **Hrana koja se čuva i ladicama hladnjaka se smrzava.**

- Temperatura hladnjaka je postavljena na vrlo nisku temperaturu. Prilagodite temperaturu hladnjaka na topliji stupanj i provjerite.

### **Temperatura u hladnjaku ili škrinji je previsoka.**

- Temperatura hladnjaka je postavljena na vrlo visoku temperaturu. Prilagođavanje hladnjaka ima utjecaja na temperaturu škrinje. Mijenjajte temperaturu hladnjaka ili škrinje dok temperatura hladnjaka ili škrinje ne dosegne dovoljnu razinu.
- Možda su vrata odškrinuta. Zatvorite vrata do kraja.
- Možda su nedavno u hladnjak stavljene velike količine tople hrane. Čekajte dok hladnjak ili škrinja ne dosegnu željenu temperaturu.
- Hladnjak je možda uključen nedavno. Potpuno hlađenje hladnjaka može potrajati zbog veličine.

### **Iz hladnjaka dolazi buka slična sekundama oja se čuje iz analognog sata.**

- Ova buka dolazi iz elektromagnetskog ventila hladnjaka. Elektromagnetski ventil služi osiguravanju prolaska rashladnog sredstva kroz odjeljak koji se može prilagoditi temperaturama hlađenja ili zamrzavanja i obavljanja funkcija hlađenja. to je normalno i nije uzrok kvara.

### **Buka tijekom rada se povećava kad hladnjak radi.**

- Radne performanse hladnjaka se mogu promijeniti ovisno o promjenama sobne temperature. To je normalno i ne predstavlja kvar.

### **Vibracije ili buka.**

- Pod nije ravan ili je slab. Hladnjak se njiše kad se polako pomiče. Pazite da je pod ravan, jak i da može nositi hladnjak.
- Buka može biti uzrokovana predmetima koji se nalaze na hladnjaku. Takvi predmeti se moraju ukloniti s hladnjaka.

### **Čuje se buka poput prolijevanja tekućine ili špricanja.**

- Protok tekućine i plinova se događa u skladu s radnim principima vašeg hladnjaka. To je normalno i ne predstavlja kvar.

### **Čuje se buka poput puhanja vjetra.**

- Aktivatori zraka (ventilatori) se koriste da bi se hladnjak učinkovito hladio. To je normalno i ne predstavlja kvar.

### **Kondenzacija na unutarnjim stjenkama hladnjaka.**

- Toplo i vlažno vrijeme povećava nastanak leda i kondenziranje. To je normalno i ne predstavlja kvar.
- Vrata su odškrinuta. Pazite da su vrata zatvorena do kraja.
- Vrata su možda često otvarana ili su dulje vrijeme bila otvorena. Rjeđe otvarajte vrata.

### **Vlaga se pojavljuje na vanjskom dijelu hladnjaka ili između vrata.**

- Možda je vlažno vrijeme. To je potpuno normalno kod vlažnog vremena. Kad je vlažnost manja, kondenzat će nestati.

**Neugodan miris unutar hladnjaka.**

- Mora se očistiti unutrašnjost hladnjaka. Očistite unutrašnjost hladnjaka spužvom, toplom ili gaziranom vodom.
- Neugodan miris možda uzrokuju neke posude ili materijali pakiranja. Koristite neku drugu posudu ili drugačiju marku materijala za pakiranje.

**Vrata se ne zatvaraju.**

- Paketi hrane možda sprječavaju zatvaranje vrata. Uklonite pakete hrane koji smetaju vratima.
- Hladnjak vjerojatno nije potpuno okomit prema podu i možda se njiše kad se lagano pomiče. Prilagodite vijke za podizanje.
- Pod nije ravan ili jak. Pazite da je pod ravan i da može nositi hladnjak.

**Odjeljci za voće i povrće su zaglavljani.**

- Hrana možda dodiruje vrh ladice. Presložite hranu u ladici.

**Ako je površina proizvoda vruća**

- Visoke temperature mogu se pojaviti između dvaju vrata, na bočnim pločama i na stražnjem dijelu roštilja prilikom rada proizvoda. To je normalno i ne zahtijeva servisiranje!



## **ODRICANJE OD ODGOVORNOSTI / UPOZORENJE**

Neke (jednostavne) kvarove može riješiti sam krajnji korisnik bez ikakvih sigurnosnih problema ili opasnosti koje mogu iskrsnuti uz uvjet da je to obavljeno u granicama i u skladu sa sljedećim uputama (pogledajte dio „Samopomoć“).

Stoga, osim ako nije drukčije određeno u donjem dijelu „Samopomoći“ popravke trebaju obaviti registrirani stručni servisi kako bi se izbjegli problemi sa sigurnosti. Registrirani stručni servis je stručni servis kojem je proizvođač odobrio pristup uputama i popisu rezervnih dijelova za ovaj proizvod u skladu s metodama opisanim u zakonskim aktima u skladu s Direktivom 2009/125/EC.

**Međutim, samo servisni zastupnik (tj. ovlaštene stručni servisi) kojeg možete kontaktirati na telefonski broj naveden u korisničkom priručniku/jamstvenom listu ili ovlaštene zastupnik mogu obaviti servis u skladu s uvjetima jamstva. Stoga, upozoravamo vas kako će popravci koje su obavili stručni servisi (koje nije ovlastila tvrtka Beko) poništiti jamstvo.**

### **Samopomoć**

Samopopravak može obaviti krajnji korisnik za sljedeće zamjenjive dijelove: ručke na vratima, šarke vrata, ladice, košare i brtva na vratima (ažurirani popis dostupan je na support.beko.com od 01. ožujka 2021.)

Pored toga, kako bi se osigurala sigurnost proizvoda i spriječila opasnost od teških ozljeda, spomenuta samopomoć treba se obaviti pridržavajući se uputa u korisničkom priručniku za samopomoć ili onih dostupnih na support.beko.com Zbog vaše sigurnosti, isključite proizvod iz strujne mreže prije početka obavljanja bilo kakve samopomoći.

Popravak i pokušaj popravka koje obavljaju krajnji korisnici za dijelove koji nisu uključeni na popis i/ili ako se ne pridržavaju uputa u korisničkom priručniku ili onih dostupnih na support.beko.com, mogu izazvati sigurnosne problema koji se ne mogu pripisati Beko te koji će poništiti jamstvo proizvođača.

Stoga, izričito se preporučuje da se krajnji korisnici suzdrže od pokušaja popravka koji ne uključuje spomenuti popis rezervnih dijelova te da u tom slučaju kontaktiraju ovlaštene stručne servise ili registrirane stručne servise. U suprotnom, takvi pokušaji koje poduzmu krajnji korisnici mogu izazvati sigurnosne probleme i oštetiti proizvod te posljedično izazvati požar, poplavu, smrt zbog strujnog udara i teške tjelesne ozljede.

Na primjer, ali se ne ograničavajući na to, sljedeće popravke moraju obaviti ovlaštene profesionalni servisi ili registrirani profesionalni servisi: kompresor, rashladni sklop, matična ploča, inverter ploča, ploča zaslona, itd.

Proizvođač/prodavač neće se smatrati odgovornim u slučaju da krajnji korisnici ne poštuju gore navedeno.

Dostupnost rezervnih dijelova za hladnjaka koju ste kupili je 10 godina.

Tijekom ovog razdoblja originalni rezervni dijelovi bit će dostupni za ispravan rad hladnjaka.

Minimalno trajanje jamstva hladnjaka kojeg ste kupili je 24 mjeseca.

Ovaj proizvod opremljen je izvorom osvijetljenja energetske klase „G“.

Izvor osvijetljenja u ovom proizvodu smiju zamijeniti samo stručni serviseri.

## Prosimo, da najprej preberete navodila za uporabo!

Dragi kupec,

upamo, da bo naprava, ki je bila izdelana v modernih obratih in preizkušena z natančnimi postopki kakovosti, zagotovila učinkovito delovanje.




Zato priporočamo, da pred uporabo pazljivo preberete celotna navodila za uporabo naprave in jih hranite v bližini, saj jih boste morda potrebovali v prihodnje.






## Priročnik

- Priročnik vam bo pomagal pri hitri in varni uporabi naprave.
  - Priročnik preberite preden napravo namestite in uporabite.
  - Sledite navodilom, predvsem varnostnim.
  - Priročnik hranite na lahko dosegljivem mestu, saj ga boste morda kasneje potrebovali.
  - Poleg tega preberite tudi ostale dokumente, ki so priloženi napravi.
- Prosimo upoštevajte, da je priročnik lahko veljaven tudi za druge modele.

## Simboli in njihov opis

Navodila za uporabo vsebujejo naslednje simbole:

-  Pomembne informacije in koristni nasveti za uporabo.
-  Opozorila pred nevarnostmi za življenje in lastnino.
-  Opozorila pred električno napetostjo.

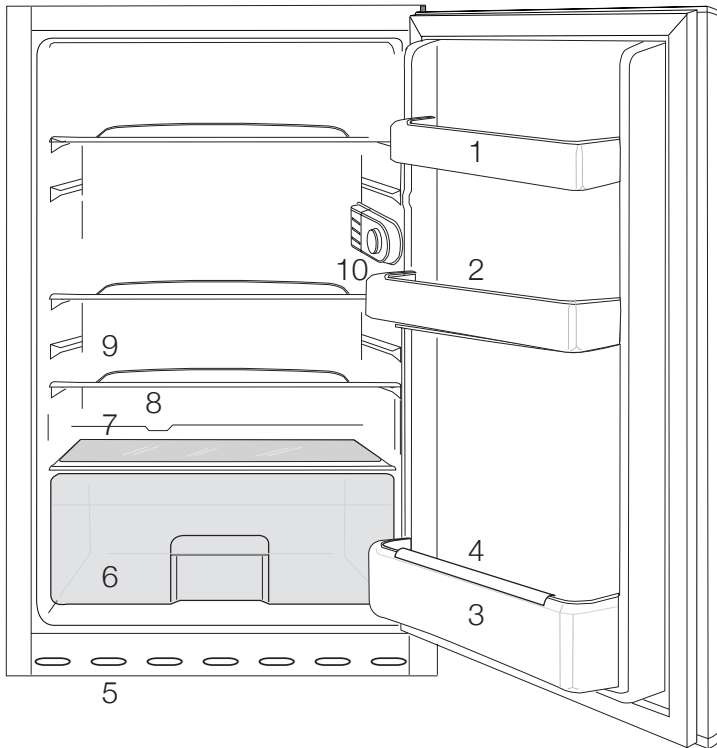
 <b>INFORMACIJE</b>	
 SUPPLIER'S NAME	 MODEL IDENTIFIER (*)
	
Do informacij o modelu, ki so shranjene v zbirki podatkov o izdelkih, lahko pridete tako, da obiščete naslednje spletno mesto in poiščete identifikator modela (*), ki je naveden na energijski nalepki. <a href="https://eprel.ec.europa.eu/">https://eprel.ec.europa.eu/</a>	

## VSEBINA

---

<b>1 Vaš hladilnik</b>	<b>3</b>	<b>4 Priprava</b>	<b>12</b>
<b>2 Pomembna varnostna opozorila</b>	<b>4</b>	<b>5 Uporaba hladilnika</b>	<b>13</b>
Namen uporabe .....	4	Uporaba notranjih delov.....	13
Za naprave z dispenzerjem za vodo;..	6	Hlajenje .....	13
Varnost otrok.....	6	Odtajanje.....	14
Skladnost z direktivo OEEQ in odstranjevanjem odpadnih izdelkov: .	6	<b>6 Vzdrževanje in čiščenje</b>	<b>15</b>
Skladnost z direktivo RoHS: .....	6	Zaščita plastičnih površin .....	15
Informacije o embalaži .....	6	<b>7 Priporočljive rešitve za težave</b>	<b>16</b>
Opozorilo HCA .....	7		
Varčevanje z energijo .....	7		
<b>3 Namestitev</b>	<b>8</b>		
Napotki, ki jih je treba upoštevati ob ponovnem prevozu hladilnika.....	8		
Pred uporabo hladilnika .....	8		
Odstranjevanje embalaže.....	9		
Odstranjevanje starega hladilnika .....	9		
Namestitev in montaža .....	9		
Obrniti vrata.....	10		
Obrniti vrata.....	11		

# 1 Vaš hladilnik



1. Police na vratih
2. Pladenj za jajca
3. Polica za steklenice
4. Prijemalnik za steklenice
5. Prezračevalna mreža
6. Predel za sveža živila
7. Pokrov predala za sveža živila
8. Zbiralni kanal odtaljene vode -  
Cev za izpust
9. Premične police
10. Notranja luč & Gumb termostata

**i** Slike v navodilih za uporabo so shematske in morda ne ustrezajo vašemu proizvodu. Če naprava, ki ste jo kupili, ne vsebuje določenih delov, so veljavni za druge modele.

## 2 Pomembna varnostna opozorila

Prosimo, preglejte naslednje informacije. Če ne boste upoštevali teh informacij, lahko pride do telesnih poškodb ali poškodb materiala. V nasprotnem primeru garancija in zanesljivost nista veljavni.

Tehnična življenjska doba naprave, ki ste jo kupili, je 10 let. Za ta čas hranite rezerve dele, ki so potrebni za delovanje naprave.

### Namen uporabe

Naprava je namenjena uporabi

- znotraj in v zaprtih prostorih, kot so domovi;
- v zaprtih delovnih prostorih kot so trgovine ali pisarne;
- v zaprtih prostorih za nastanitev, kot so kmetije, hoteli, penzioni.
- Naprave ne uporabljajte na prostem.

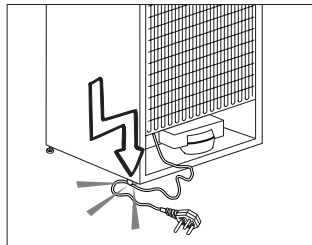
### Splošna varnost

- Ko želite proizvod odstraniti/odvreči, Vam priporočamo, da se posvetujete s pooblaščen servisno službo in organi, da pridobite potrebne informacije.
- Pri morebitnih vprašanih ali težavah s hladilnikom se posvetujte s pooblaščen servisno službo. Brez sporočila pooblaščen servisni službi ne posegajte v hladilnik sami ali s tujo pomočjo.
- Za naprave z zamrzovalnim delom; Sladoleda in ledenih kock ne jejte takoj, ko jih vzamete iz zamrzovalnega dela! (Povzročijo lahko ozeblina v ustih.)

- Za naprave z zamrzovalnim delom; V zamrzovalnem delu ne shranjujte tekočin v steklenicah ali pločevinkah. V nasprotnem primeru lahko počijo.
- Zamrznjenih živil se ne dotikajte z rokami, saj lahko primrznejo.
- Pred čiščenjem ali odtajanjem hladilnik izključite iz električnega omrežja.
- Hladilnika nikoli ne čistite in odtajajte s paro ali parnimi čistilnimi sredstvi. Para lahko pride v stik z električnimi deli in povzroči kratki stik ali električni udar.
- Delov hladilnika kot so vrata nikoli ne uporabljajte kot opornike ali stopnico.
- V hladilniku ne uporabljajte električnih naprav.
- Delov, kjer hladilno sredstvo kroži, ne poškodujte z napravami za vrтанje ali rezanje. Če se plinski kanali izparilnika, podaljški cevi ali površinske prevleke prebodejo, lahko hladilno sredstvo prodre in povzroči draženje kože ali poškodbe oči.
- Ne pokrivajte ali blokirajte zračnih odptin na hladilniku z nobenim materialom.
- Električne naprave lahko popravljajo samo pooblaščene osebe. Popravila, ki jih izvajajo nepooblaščene osebe, povzročijo nevarnost za uporabnika.
- V primeru kakršnekoli napake ali pred vzdrževalnimi deli in popravili obvezno izključite električno napajanje hladilnika tako, da izključite zadevno varovalko ali iztaknete vtič naprave.
- Ko izklopите vtič, ne vlecite za kabel.
- Koncentrirane alkoholne pijače hranite dobro zaprte in v pokončnem položaju.

- V hladilniku nikoli ne shranjujte razpršilcev, ki vsebujejo vnetljive in eksplozivne substance.
- Za pospeševanje postopka odtajanja ne uporabljajte mehanskih naprav ali drugih pripomočkov, razen tistih, ki jih priporoča proizvajalec.
- Naprave naj ne uporabljajo osebe s fizičnimi, senzornimi ali duševnimi motnjami ali osebe, ki nimajo potrebnega znanja oziroma izkušenj (vključno z otroki), razen če jih nadzira oseba, ki je odgovorna za njihovo varnost ali oseba, ki jim bo ustrezno svetovala glede uporabe naprave.
- Ne uporabljajte poškodovanega hladilnika. Če imate kakršne koli pomisleke, se obrnite na servisno službo.
- Električna varnost hladilnika je zagotovljena, le če ozemljitveni sistem v hiši ustreza standardom.
- Izpostavljanje proizvoda dežju, snegu, soncu ali vetru predstavlja električno nevarnost.
- Če je napetostni kabel poškodovan, se obrnite na pooblaščen servisno službo, da se izognete nevarnostim.
- Hladilnika med montažo nikoli ne vključite v vtičnico. V nasprotnem primeru obstaja nevarnost smrti ali resne poškodbe.
- Hladilnik je namenjen samo shranjevanju živil. Ne uporabljajte ga v druge namene.
- Etiketa s tehničnimi specifikacijami se nahaja na levi steni znotraj hladilnika.
- Hladilnika ne priključujte na sisteme varčevanja električne energije, saj ga lahko poškodujejo.

- Če je na hladilniku modra lučka, ne glejte vanjo skozi optične naprave.
- Pri hladilnikih z ročnim upravljanjem, počakajte vsaj 5 minut, preden ga po električnem izpadu ponovno priključite.
- Če napravo dobi nov lastnik, mu izročite tudi navodila za uporabo.
- Med prenašanjem hladilnika ne poškodujte napetostnega kabla. Upogibanje kabla lahko povzroči požar. Na napetostni kabel nikoli ne postavljajte težkih predmetov. Ko napravo priklopite, se ne dotikajte vtiča z mokrimi rokami.



- Hladilnika ne priključujte v razrahljano vtičnico.
- Iz varnostnih razlogov na notranjih ali zunanjih delih naprave ne škropite vode.
- V bližini hladilnika ne pršite vnetljivih plinov, kot je propan, saj obstaja nevarnost požara ali eksplozije.
- Na hladilnik nikoli ne postavljajte posod z vodo, saj to lahko povzroči električni udar ali požar.
- Hladilnika ne preobremenjujte s prekomernimi količinami živil. Če je naprava prenapolnjena, lahko živila med odpiranjem vrat hladilnika padejo dol in vas poškodujejo ali povzročijo škodo na hladilniku. Na hladilnik nikoli ne postavljajte predmetov, saj lahko med odpiranjem ali zapiranjem vrat hladilnika padejo dol.

- Cepiv, zdravil, občutljivih na toploto, znanstvenih materialov itd. ne shranjujte v hladilnik, saj zahtevajo določeno temperaturo.
- Če hladilnika ne boste uporabljali dlje časa, ga izklopite. Težave v napetostnem kablu namreč lahko povzročijo požar.
- Konico vtiča je treba redno čistiti, saj lahko v nasprotnem primeru povzroči požar.
- Konico vtiča je treba redno čistiti s suho krpo, saj lahko v nasprotnem primeru povzroči požar.
- Če nastavljive noge niso dobro nameščene na tleh, se hladilnik lahko premika. Če nastavljive noge dobro namestite na tla, lahko preprečite premikanje hladilnika.
- Med prenašanjem hladilnika ne držite za ročaje na vratih, saj jih lahko odtrgate.
- Če napravo namestite zraven drugega hladilnika ali zamrzovalnika, naj bo razdalja med napravami vsaj 8 cm. V nasprotnem primeru se lahko na sosednjih stenah naprav pojavi vlaga.

## Za naprave z dispencerjem za vodo;

Pritisk vodovodnega omrežja naj bo vsaj 1 bar. Pritisk vodovodnega omrežja naj bo največ 8 barov.

- Uporabljajte samo pitno vodo.

## Varnost otrok

- Če imajo vrata ključavnico, jo hranite izven dosega otrok.
- Otroke je treba nadzirati, da se ne igrajo z napravo.

## Skladnost z direktivo OEE0 in odstranjevanjem odpadnih izdelkov:



Izdelek je v skladu z direktivo EU OEE0 (2012/19/EU). Izdelek vsebuje simbol za razvrstitev odpadne električne in elektronske opreme (OEE0).

Izdelek je bil izdelan z visokokakovostnimi sestavnimi deli in materiali, ki jih je mogoče ponovno uporabiti in so primerni za recikliranje. Odsluženega odpadnega izdelka ne odlagajte z običajnimi gospodinjskimi in drugimi odpadki. Odnosite ga na center za zbiranje in recikliranje električne in elektronske opreme. Za informacije o teh centrih za zbiranje se obrnite na lokalne oblasti.

## Skladnost z direktivo RoHS:

Izdelek, ki ste ga kupili, je v skladu z direktivo EU RoHS (2011/65/EU). Ne vsebuje škodljivih in prepovedanih materialov, ki so navedeni v direktivi.

## Informacije o embalaži

Embalažni material izdelka je izdelan iz materiala, ki ga je mogoče reciklirati, v skladu z našimi nacionalnimi okoljskimi predpisi. Embalažnega materiala ne odlagajte skupaj z gospodinjskimi ali drugimi odpadki. Odnosite ga na zbirna mesta za embalažni material, ki so jih določile lokalne oblasti.

## Opozorilo HCA

### Če hladilni sistem naprave vsebuje R600a:

Ta plin je vnetljiv. Zato pazite, da med uporabo in transportom ne poškodujete hladilnega sistema in cevi. V primeru poškodbe, naj proizvod ne bo v bližini potencialnih virov ognja, ob katerih se lahko vname in prezračite prostor, v katerem je naprava.

### To opozorilo ne velja, če hladilni sistem vaše naprave vsebuje R134a.

Vrsta plina, ki ga vsebuje naprava, je navedena na tipski plošči na levi steni znotraj hladilnika.

Naprave nikoli ne sežgite, da bi se je znebili.

- Za naprave z zamrzovalnim delom; v napravo lahko shranite največjo količino živil, če odstranite polico ali predal zamrzovalnika. Vrednost porabe energije se je določila, ko se je odstranila polica ali predal zamrzovalnika in je bila naprava napolnjena z največjo količino živil. Uporaba police ali predala glede na oblike in velikost živil, ki jih želite shraniti, ne predstavlja nevarnosti.
- Odtajanje zamrznjenih živil v hladilnem delu, bo privarčevalo energijo in ohranilo kakovost živil.

## Varčevanje z energijo

- Vrat hladilnika ne puščajte odprtih dalj časa.
- V hladilniku ne shranjujte toplih živil ali pijač.
- Hladilnika ne napolnite preobilno, saj s tem preprečite kroženje zraka.
- Hladilnika ne postavljajte na neposredno sočno svetlobo ali v bližino naprav, ki oddajajo toploto, kot so pečice, pomivalni stroji ali radiatorji.
- Živila shranjujte v zaprtih posodah.



### 3 Namestitev

⚠ Proizvajalec ne bo odgovarjal, če ne boste upoštevali informacij v navodilih za uporabo.

#### Napotki, ki jih je treba upoštevati ob ponovnem prevozu hladilnika

1. Hladilnik morate izprazniti in očistiti pred vsakim prevozom.
2. Police, pripomočke, predale za sveža živila itd. v hladilniku pred ponovnim pakiranjem varno pritrdite z lepilnim trakom, da jih zaščitite pred sunki.
3. Embalažo pričvrstite z debelimi trakovi in močnimi vrvmi ter sledite navodilom za prevoz natisnjenih na embalaži.

#### Prosimo, ne pozabite ...

Vsak recikliran material je nujen vir za naravo in nacionalne vire.

Če želite sodelovati pri recikliranju embalažnega materiala, se za nadaljnje informacije obrnite na okoljske organe ali lokalne oblasti.

#### Pred uporabo hladilnika

Preden pričnete uporabljati hladilnik, preverite naslednje;

1. Ali je notranjost hladilnika suha in lahko zrak v zadnjem delu prosto kroži?
2. Notranjost hladilnika očistite kot je priporočeno v poglavju »Vzdrževanje in čiščenje«.

3. Hladilnik priključite v vtičnico električnega omrežja. Ko se vrata hladilnika odprejo, zasveti notranja luč hladilnega dela.
4. Ko se vklopi kompresor, boste zaslišali hrup. Tekočina in plini v hladilnem sistemu običajno lahko povzročijo hrup, tudi kadar kompresor ne deluje.
5. Sprednji robovi hladilnika so lahko topli na dotik. To je običajno. Te površine so oblikovane, tako da so tople, kar preprečuje kondenzacijo.

#### Električna povezava

Napravo priključite v ozemljeno vtičnico, ki je zaščitena z varovalko ustrezne zmogljivosti.

Pomembno;

- Priključitev mora ustrezati nacionalnim predpisom.
- Vtič napajalnega kabla naj bo po namestitvi lahko dostopen.
- Določena napetost mora ustrezati omrežni napetosti.
- Za priključitev ne uporabljajte podaljševalnih kablov ali večpotnih vtičev.

⚠ Poškodovan napajalni kabel lahko zamenja le usposobljen električar.

⚠ Naprave ne uporabljajte preden ni popravljena! Obstaja nevarnost električnega udara!

## Odstranjevanje embalaže

Embalažni material je lahko nevaren za otroke. Embalažni material hranite izven dosega otrok ali ga odstranite v skladu z navodili za odstranjevanje odpadkov. Ne odstranite ga z običajnimi gospodinjstskimi odpadki.

Embalaža hladilnika je izdelana iz materiala primerne za recikliranje.

## Odstranjevanje starega hladilnika

Staro napravo odstranite okolju prijazno.

- Glede odstranjevanja hladilnika se posvetujte s pooblaščenim prodajalcem ali centrom za zbiranje odpadkov v vaši občini.

Preden odstranite hladilnik, izklopite električni vtič in onemogočite morebitne ključavnice na vratih, da zaščitite otroke pred nevarnostmi.

## Namestitev in montaža

1. Namestite hladilnik na mesto, ki bo omogočalo preprosto uporabo.

2. Hladilnik naj ne bo v bližini toplotnih virov, vlažnih prostorov ali neposredne sončne svetlobe.

3. Za učinkovito delovanje mora biti prostor okrog hladilnika ustrezno prezračen.

Če bo hladilnik nameščen v vdolbino v steni, mora biti najmanj 5 cm razmika od stropa in najmanj 5 cm razmika od stene.

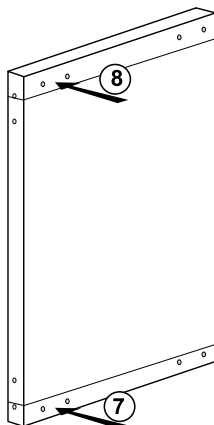
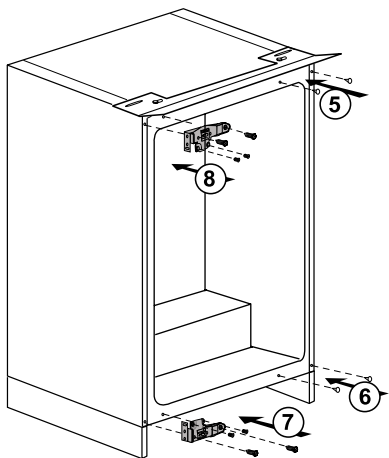
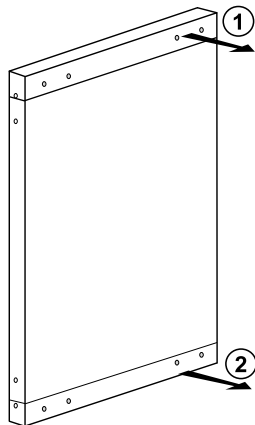
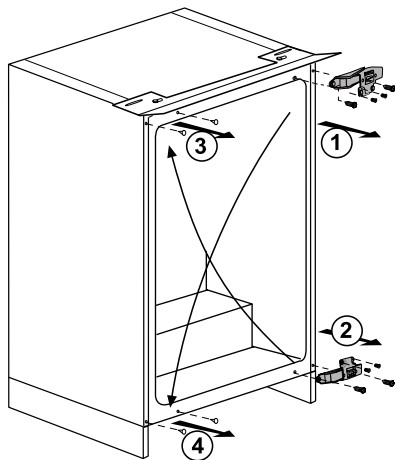
Če so tla pokrita s preprogo, mora biti proizvod 2,5 cm nad tlemi.

4. Da bi preprečili tresenje, namestite hladilnik na ravno talno površino.

5. Temperatura prostora, kjer je hladilnik, naj ne bo pod 10 °C.

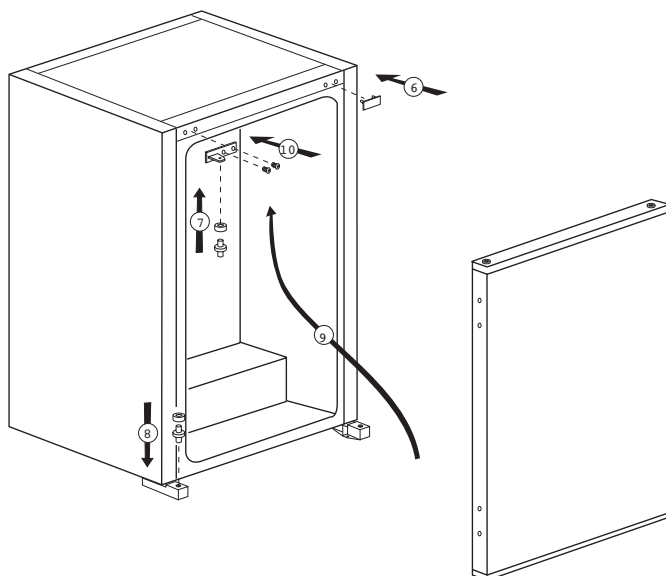
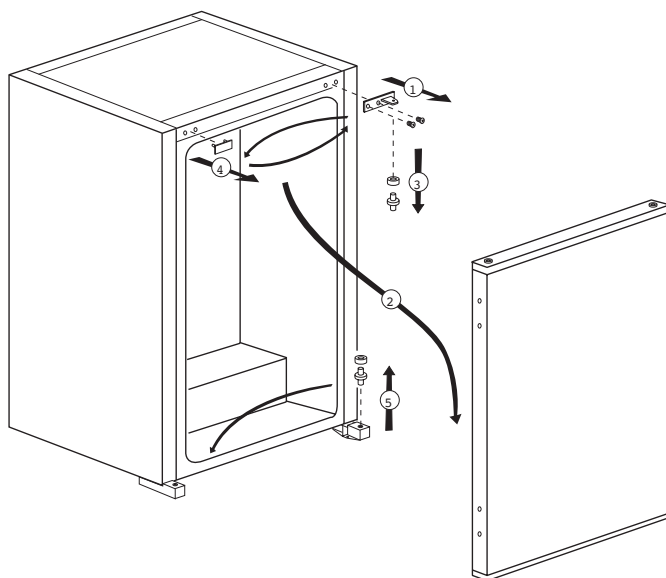
# Obrniti vrata

Sledite zaporedju



## Obrniti vrata

Sledite zaporedju

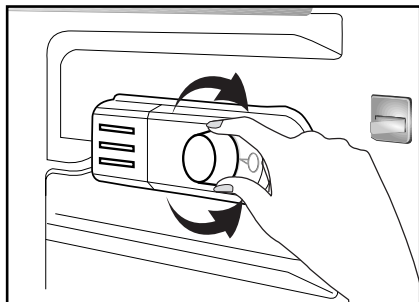


## 4 Priprava

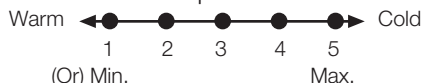
---

- i** Hladilnik morate namestiti vsaj 30 cm od virov toplote kot so kuhalne plošče, pečice, glavni grelci ali štedilniki in vsaj 5 cm od električnih pečic, prav tako ga ne postavljajte na neposredno sončno svetlobo.
- i** Temperatura prostora kjer boste namestili hladilnik naj bo vsaj 10 °C. Delovanje hladilnika v hladnejših pogojih ni priporočljivo, saj vpliva na njegovo učinkovitost.
- i** Prepričajte se, da je notranjost hladilnika popolnoma čista.
- i** Če bosta dva hladilnika nameščena drug ob drugem, naj bo vmes vsaj 2 cm razmika.
- i** Pri prvi uporabi hladilnika upoštevajte naslednja navodila med prvimi šestimi urami delovanja.
  - Izognite se pogostemu odpiranju vrat.
  - Delovati mora prazen, brez živil.
  - Hladilnika ne izklopite. Če se pojavi nenadzorovan izpad elektrike, upoštevajte opozorila v poglavju »Priporočljive rešitve za težave«.
- i** Originalno embalažo in penasti material shranite za prihodnji prevoz ali premikanje.

## 5 Uporaba hladilnika



Nastavljanje delovne temperature  
Delovno temperaturo uravnate z nadzorom za temperaturo.



**1 = Najnižja nastavev hlajenja (Najtoplejša nastavev)**

**5 = Najvišja nastavev hlajenja (Najhladnejša nastavev)**

(ali)

**Min. = Najnižja nastavev hlajenja (Najtoplejša nastavev)**

**Maks. = Najvišja nastavev hlajenja**

(Najhladnejša nastavev)

Povprečna temperatura znotraj hladilnika naj bi bila okoli +5 °C.

Prosimo izberite nastavev, glede na želeno temperaturo.

Upoštevajte, da bodo v hladilnih območjih različne temperature.

Najhladnejše območje je takoj nad predelom za zelenjavo.

Notranja temperatura je odvisna tudi od temperature prostora, pogostosti odpiranja vrat in količine shranjenih živil.

Pogosto odpiranje vrat povzroči naraščanje notranje temperature.

Zaradi tega je priporočljivo, da vrata takoj po uporabi zaprete.

### Uporaba notranjih delov

Premične police: Razmik med policami se lahko po potrebi prilagodi.

Predal za zelenjavo: v tem predelu lahko dlje časa hranite zelenjavo in sadje brez da bi se pokvarila.

Polica za steklenice: na te police lahko postavite steklenice, kozarce in pločevinke.

### Hlajenje

#### Shranjevanje hrane

Hladilni del je namenjen shranjevanju svežih živil in pijač za kratek čas.

Mlečne izdelke hranite v za to namenjen predel v hladilniku.

Steklenice lahko shranite v nosilec steklenic ali na polico za steklenice na vratih.

Surovo meso je najboljšje shraniti v polietilenski vreči v predelu na skrajnem dnu hladilnika.

Počakajte, da se vroča živila in pijače ohladijo na sobno temperaturo, preden jih postavite v hladilnik.

- Pozor

Koncentriran alkohol shranjujte v navpičnem položaju, testno zaprtega.

- Pozor

V napravi ne shranjujte eksplozivnih substanc ali vsebovalnikov z vnetljivimi pogonskimi gorivi (konzervirana krema, razpršilci itd.). Obstaja nevarnost eksplozije.

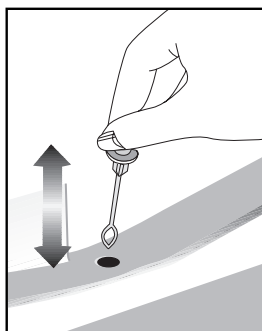
## Odtajanje

Predel hladilnika se samodejno odtaja. Odtajana voda teče skozi izpustni kanal v zbiralnik na zadnji strani naprave.

Med odtajanjem se zaradi izparilnika na zadnji strani hladilnika ustvarijo vodne kapljice.

Če kapljice ne odtečejo lahko po odtajanju ponovno zamrznejo. Zato jih odstranite s krpo, namočeno v toplo vodo in nikoli ne s trdim ali ostrim predmetom.

Občasno preverite pretok odtajane vode. Včasih se lahko zagozdi.



## 6 Vzdrževanje in čiščenje

- ⚠ Pri čiščenju nikoli ne uporabljajte bencina, benzena ali podobnih snovi.
- ⚠ Priporočamo, da napravo pred čiščenjem izključite iz električnega omrežja.
- ℹ Za čiščenje ne uporabljajte ostrih abrazivnih predmetov, mila, gospodinjskih čistil, čistilnih sredstev in loščila.
- ℹ Pri hladilnikih brez tehnologije No Frost se na zadnji notranji steni hladilnega dela lahko pojavijo vodne kaplje ali plast ledu, debeline do 2 cm. Hladilnega dela ne čistite; nikoli ne uporabljajte olja ali podobnih sredstev.
- ℹ Za čiščenje zunanje površine izdelka uporabite samo rahlo vlažno krpo iz mikrovlaknen. Gobice in druge vrste krp za čiščenje lahko opraskajo površino.
- ℹ Omarico hladilnika očistite z mlačno vodo in jo do suhega obrišite.
- ℹ Za čiščenje notranjosti uporabite izžeto krpo, ki ste jo namočili v raztopino ene čajne žličke sode bikarbonata in 500 ml vode ter nato do suhega obrišite.
- ⚠ Preprečite, da bi ohišje luči in ostali električni predmeti prišli v stik z vodo.
- ⚠ Če hladilnika dalj časa ne boste uporabljali, izključite električni kabel, odstranite vsa živila, ga očistite in pustite vrata priprta.
- ℹ Preverite, da so tesnila na vratih čista in ne vsebujejo delcev živil.
- ℹ Če želite odstraniti vratne police, jih izpraznite in jih enostavno potisnite navzgor od podlage.
- ℹ Za čiščenje zunanjih površin in kromiranih delov izdelka ne uporabljajte čistilnih sredstev ali klorirane vode. Klor povzroči korozijo na kovinskih površinah.
- ℹ Ne uporabljajte ostrih in abrazivnih orodij ali mil, gospodinjskih čistilnih sredstev, detergentov, bencina, benzena, voskov itd., da se s plastičnih delov ne odstranijo napisi in da ne pride do deformacij. Za čiščenje uporabite toplo vodo in mehko krpo in obrišite do suhega.

### Zaščita plastičnih površin

- ℹ Tekočega olja ali na olju kuhanih jedi ne shranjujte v hladilniku v odprtih posodah, saj lahko poškodujejo plastične površine hladilnika. Če na plastičnih površinah razlijete olje ali jih umažete z oljem, jih očistite in splaknite s toplo vodo.



## 7 Priporočljive rešitve za težave

Prosimo, preglejte ta seznam preden pokličete servisno službo. Lahko Vam prihrani čas in denar. Na seznamu so pogoste pritožbe, ki niso posledica pomanjkljive izdelave ali materiala. Nekatere izmed opisanih značilnosti, morda ne veljajo za vašo napravo.

### Hladilnik ne deluje.

- Ali je hladilnik pravilno priključen? Priključite vtič v vtičnico na steni.
- Ali je glavna varovalka ali pa varovalka vtičnice v katero je priključen hladilnik pregorela? Preverite varovalko.

### Kondenzacija na stranski steni hladilnega dela (MULTIZONE, COOL CONTROL in FLEXI ZONE).

- Zelo hladne prostorske razmere. Pogosto odpiranje in zapiranje vrat. Visoka vlažnost v prostoru. Shranjevanje živil, ki vsebujejo tekočino, v odprtih posodah. Vrata so bila priprta. Termostat preklopite na hladnejšo stopnjo.
- Vrata naj bodo odprta manj časa ali pa jih ne uporabljajte tako pogosto.
- Živila, ki so shranjena v odprtih posodah, pokrijte z ustrezno ovojnino.
- Kondenzacijo obrišite s suho krpo in preverite, če se ponovi.

### Kompresor ne deluje

- Termična zaščita kompresorja bo med nenadnimi izpadi električnega toka ali pri izključevanju-vključevanju pregorela, saj pritisk hladilnega sredstva v hladilnem sistemu še ni uravnotežen. Po približno 6 minutah se bo hladilnik zagnal. Če se hladilnik po tem času ne zažene, pokličite servisno službo.
- Hladilnik se odtaja. Za hladilnik s popolnoma samodejnim odtajanjem je to običajno. Odtajanje poteka v rednih presledkih.
- Hladilnik ni vključen v vtičnico. Prepričajte se, da je vtič pravilno vstavljen v vtičnico.
- Ali so temperature pravilno nastavljene?
- Izklop energije.

Delovanje hladilnika je pogosto ali traja dalj časa.

- Nova naprava je širša od prejšnje. To je običajno. Veliki hladilniki delujejo dalj časa.
- Temperatura prostora je visoka. To je običajno.
- Hladilnik je bil pred kratkim priključen ali pa je bil prenapolnjen z živili. Popolno ohlajanje hladilnika lahko traja nekaj ur dlje.
- V hladilnik so bile nedavno postavljene večje količine toplih živil. Topla živila povzročijo daljše delovanje hladilnika, da dosežejo varno temperaturo za shranjevanje.
- Vrata so se pogosto odpirala ali bila dalj časa priprta. Topel zrak, ki je prišel v hladilnik, povzroča daljše delovanje hladilnika. Vrata odpirajte manj pogosto.
- Vrata zamrzovalnega ali hladilnega dela so bila priprta. Preverite, če so vrata dobro zaprta.
- Hladilnik je nastavljen na zelo nizko temperaturo. Temperaturo hladilnika nastavite na toplejšo stopnjo in počakajte, da jo doseže.
- Tesnilo na vratih hladilnika ali zamrzovalnika je umazano, izrabljeno, zlomljeno ali nepravilno nameščeno. Tesnilo očistite ali zamenjajte. Poškodovano/ zlomljeno tesnilo povzroča, da hladilnik deluje dalj časa za vzdrževanje trenutne temperature.

Temperatura zamrzovalnika je zelo nizka, medtem ko je temperatura hladilnika ustrezna.

- Temperatura zamrzovalnika je nastavljena na zelo nizko stopnjo. Temperaturo zamrzovalnika nastavite na toplejšo stopnjo in preverite.

Temperatura hladilnika je zelo nizka, medtem ko je temperatura zamrzovalnika ustrezna.

- Temperatura hladilnika je nastavljena na zelo nizko stopnjo. Temperaturo hladilnika nastavite na toplejšo stopnjo in preverite.

Živila shranjena v predalih hladilnega dela zamrzujejo.

- Temperatura hladilnika je nastavljena na zelo nizko stopnjo. Temperaturo hladilnika nastavite na toplejšo stopnjo in preverite.

Temperature v hladilniku ali zamrzovalniku so zelo visoke.
<ul style="list-style-type: none"> <li>• Temperatura hladilnika je nastavljena na zelo visoko stopnjo. Nastavitev hladilnika vpliva na temperaturo zamrzovalnika. Spremenite temperaturo hladilnika ali zamrzovalnika, da dosežete ustrezno temperaturo.</li> <li>• Vrata so se pogosto odpirala ali bila dalj časa priprta. Odpirajte jih manj pogosto.</li> <li>• Vrata so priprta. Dobro zaprite vrata.</li> <li>• V hladilnik je bila nedavno postavljena večja količina toplih živil. Počakajte, da hladilnik ali zamrzovalnik doseže zeleno temperaturo.</li> <li>• Hladilnik je bil pred kratkim priključen. Popolno ohlajanje hladilnika je dolgotrajen postopek.</li> </ul>
Med delovanjem hladilnika se hrup poveča.
<ul style="list-style-type: none"> <li>• Učinkovitost delovanja hladilnika se lahko spremenijo glede na spremembe temperature prostora. To je običajno in ni napaka.</li> </ul>
Tresljaji ali hrup
<ul style="list-style-type: none"> <li>• Neravna ali slabotna tla. Hladilnik se med počasnim premikanjem trese. Prepričajte se, da so tla ravna in dovolj močna podpora za hladilnik.</li> <li>• Hrup lahko povzročajo predmeti, ki so postavljeni na hladilniku. Odstranite predmete na vrhu hladilnika.</li> </ul>
Iz hladilnika se širi hrup podoben prelivanju tekočine ali pršenju.
<ul style="list-style-type: none"> <li>• Način delovanja hladilnika povzroča pretok tekočine in plinov. To je običajno in ni napaka.</li> </ul>
Hrup podoben pihanju vetra.
<ul style="list-style-type: none"> <li>• Za ohladitev hladilnika se uporabljajo ventilatorji. To je običajno in ni napaka.</li> </ul>
Kondenzacija na notranjih stenah hladilnika.
<ul style="list-style-type: none"> <li>• Vroče in vlažno vreme poveča zaledenitev in kondenzacijo. To je običajno in ni napaka.</li> <li>• Vrata so priprta. Prepričajte se, da so vrata popolnoma zaprta.</li> <li>• Vrata so se pogosto odpirala ali bila dalj časa priprta. Odpirajte jih manj pogosto.</li> </ul>
Na zunanji strani hladilnika ali med vrati se pojavi vlaga.
<ul style="list-style-type: none"> <li>• Vlaga v zraku, kar je običajno pri vlažnem vremenu. Ko se vlaga zniža, bo kondenzacija izginila.</li> </ul>

#### Neprijeten vonj v hladilniku.

- Notranjost hladilnika naj bo čista. Notranjost hladilnika očistite z gobo, mlačno ali gazirano vodo.
- Vonj povzročajo nekatere posode ali materiali pakiranja. Uporabite druge posode ali drugačno vrsto materialov pakiranja.

#### Vrata se ne zapirajo.

- Ovojnine živil preprečujejo zapiranje vrat. Prestavite pakiranja, ki ovirajo vrata.
- Hladilnik ni popolnoma pokončno postavljen na tla in se zatrese že ob rahlem premiku. Prilagodite vijake za nastavitvev.
- Neravna ali šibka tla. Prepričajte se, da so tla ravna in primerna podpora za hladilnik.

#### Predali so obtičali.

- Živila se dotikajo stropa predala. Ponovno razporedite živila v predalu.

## **ZAVRnitev odgovornosti / OPOZO- RILO**

Nekatere (enostavne) napake lahko končni uporabnik ustrezno popravi, ne da bi prišlo do kakršnih koli varnostnih težav ali nevarne uporabe, pod pogojem, da so izvedene v mejah in v skladu z naslednjimi navodili (glejte poglavje "Samopopravila").

Če ni drugače dovoljeno v spodnjem poglavju "Samopopravila", bodo vsa popravila naslovljena na registriranega pooblaščenega serviserja, da se izognemo varnostnim težavam. Registrirani pooblaščen serviser je poklicni serviser, ki mu je proizvajalec odobril dostop do navodil in seznama nadomestnih delov tega izdelka v skladu z metodami, opisanimi v zakonodajnih aktih v skladu z Direktivo 2009/125/ES.

**Vendor lahko samo servisni agent (tj. pooblaščen poklicni serviserji), do katerega lahko pridete prek telefonske številke, navedene v uporabniškem priročniku/garancijskem listu ali prek pooblaščenega prodajalca, opravlja storitve v skladu z garancijskimi pogoji. Zato vas prosimo, da upoštevate, da za popravila, ki jih izvajajo poklicni serviserji (ki niso pooblaščen s strani Beko) ne bo veljala garancija.**

### **Samopopravila**

Končni uporabnik lahko sam izvede popravilo v zvezi z naslednjimi rezervnimi deli: vratni ročaj, vratni tečaj, pladnji, košare in vratna tesnila (posodobljen seznam je na voljo tudi na spletnem mestu support.beko.com od 1. marca 2021).

Poleg tega je treba za zagotovitev varnosti izdelka in za preprečitev nevarnosti resnih poškodb omenjeno samopopravilo opraviti po navodilih v uporabniškem priročniku

za samopopravilo ali v navodilih, ki so na voljo na support.beko.com Zaradi lastne varnosti izdelek izključite iz električnega omrežja, preden se lotite kakršnega koli samopopravljanja.

Popravila in poskusi popraviljanja končnih uporabnikov za dele, ki niso vključeni na tak seznam in/ali ne upoštevajo navodil v uporabniških priročnikih za samopopravilo ali so na voljo na support.beko.com, lahko sprožijo vprašanja varnosti, ki jih ni mogoče pripisati Beko, in garancija za ta izdelek ne velja.

Zato je zelo priporočljivo, da se končni uporabniki vzdržijo poskusov popravil, ki ne spadajo v omenjeni seznam rezervnih delov, in se v takšnih primerih obrnejo na pooblaščen poklicni serviserje ali registrirani poklicni serviser. Nasprotno, takšni poskusi končnih uporabnikov lahko povzročijo varnostne težave in poškodujejo izdelek ter posledično povzročijo požar, poplavo, električni udar in resne telesne poškodbe.

Primeri popravil, za katere se je treba obrniti na pooblaščen ali registrirane poklicne serviserje, so med drugim naslednji: kompresor, hladilni krogotok, matična plošča, inverterska plošča, plošča zaslona itd.

Proizvajalec/prodajalec ni odgovoren v primeru, ko končni uporabniki ne upoštevajo zgoraj navedenega.

Razpoložljivost rezervnih delov hladilnik, ki ste ga kupili, je 10 let.

V tem obdobju bodo na voljo originalni nadomestni deli za pravilno delovanje hladilnik.

Hladilnik, ki ste ga kupili, ima najmanj 24-mesečno garancijo.

Ta izdelek je opremljen z svetlobnim virom energijskega razreda "G".  
Svetlobni vir v tem izdelku lahko zamenjajo samo poklicni serviserji.