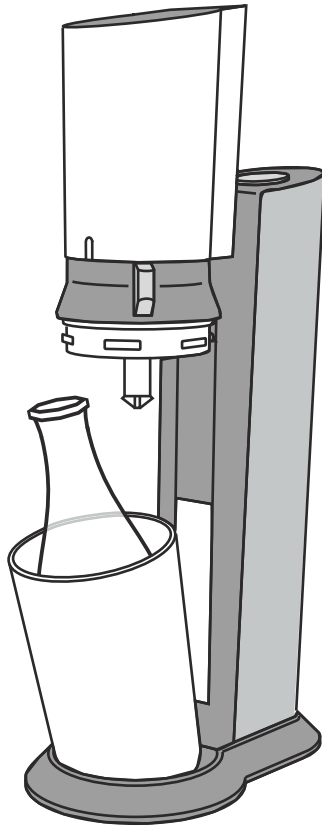




soda**stream**

Downloaded from www.vandenborre.be



CRYSTAL USER MANUAL

MODEL CY8001

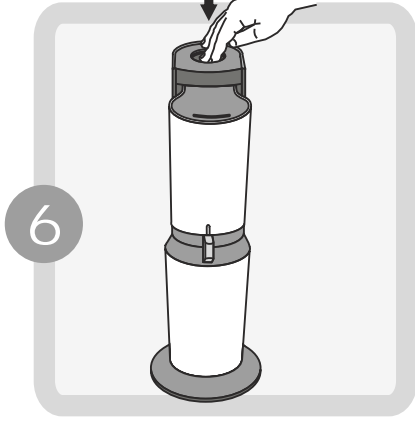
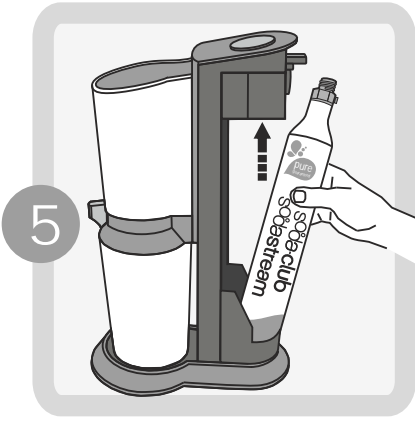
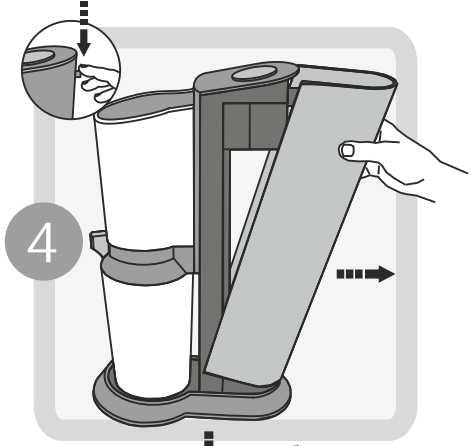
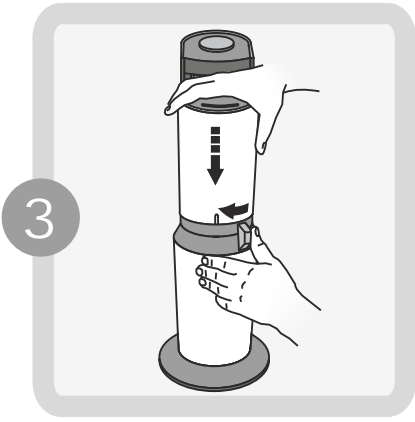
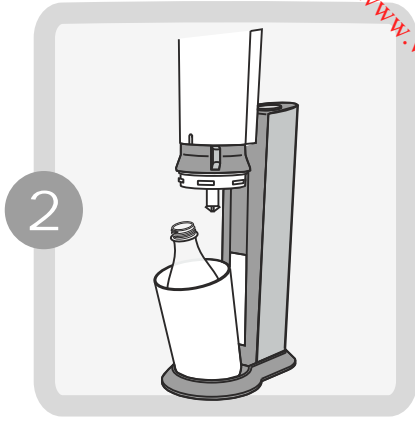
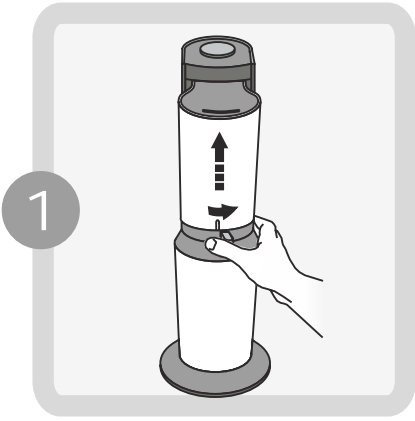
www.sodastream.com

CONTENTS

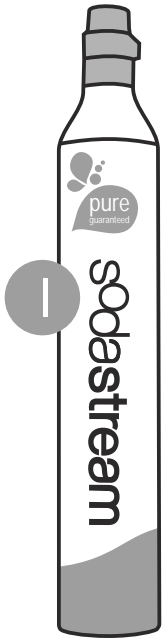
Downloaded from www.vandenborre.be

OPERATION PROCEDURE	3
MACHINE PARTS	4
ENGLISH	6
DEUTSCH	10
FRANÇAIS	14
NEDERLANDS	18
ITALIANO	22
ESPAÑOL	26
PORTUGAL	30
SVENSKA	34
FINLAND	38
NORWAY	42
RUSSIA	46
KROATIA	50
POLSKA	54
SLOVAKIA	58
SLOVENIA	62
· Ě · Ú	66

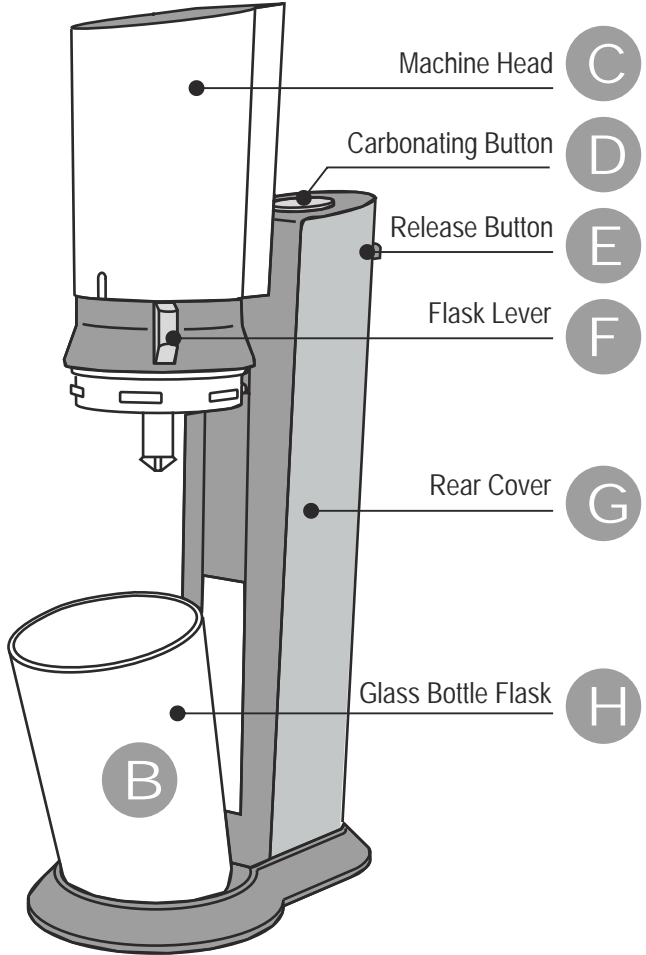
OPERATION PROCEDURE



MACHINE PARTS

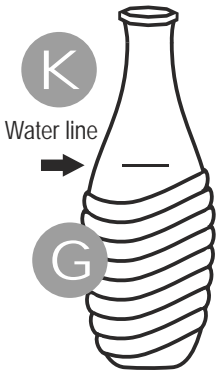


CO₂ Cylinder



CRYSTAL Drinksmaker

A



Glass bottle

Dear customer

Thank you for purchasing the Crystal Drinksmaker. Now you can create your homemade soda in only seconds. It's that simple and it makes so much sense. You are joining millions of our users around the world who are helping to save the environment while also saving money!

With your new Drinksmaker, you will help the world to get rid of plastic bottles, plastic waste and the unnecessary transport of bottled beverages. And the more you use it, the more money you'll save.

We invite you to enjoy the simplicity and fun of fresh homemade soda. Try our exciting variety of flavours to create your perfect homemade drinks experience.

To register your Drinksmaker on-line, and for more offers, please visit us at www.sodastream.com

Please read the instructions carefully before using your Drinksmaker.

IMPORTANT SAFETY NOTICE

CYLINDERS

- ONLY USE A SODA-CLUB/SODASTREAM CYLINDER IN YOUR DRINKSMAKER.
- DO NOT TAMPER WITH THE CYLINDER.
- ALWAYS KEEP CYLINDERS IN A COOL PLACE.
- NEVER TRANSPORT THE DRINKSMAKER WITH THE CYLINDER IN PLACE.
- IF NO CYLINDER IS SUPPLIED WITH YOUR DRINKSMAKER, PLEASE OBTAIN A SUITABLE SODA-CLUB/SODASTREAM CYLINDER FROM AN AUTHORISED DEALER.

BOTTLES

- DO NOT USE THE GLASS BOTTLE IF IT IS CRACKED, CHIPPED OR DAMAGED IN ANY WAY. DISPOSE OF IT IMMEDIATELY AND REPLACE IT WITH A NEW ONE.
- DO NOT USE ANY GLASS BOTTLE OTHER THAN AN ORIGINAL SODA-CLUB/SODASTREAM BOTTLE.

CARBONATION

- CARBONATE WATER ONLY. SYRUPS ARE TO BE ADDED AFTER CARBONATION ONLY.
- CARBONATE ONLY WHEN THE DRINKSMAKER IS IN THE UPRIGHT POSITION.
- DO NOT CARBONATE AN EMPTY BOTTLE.

ASSEMBLING YOUR DRINKSMAKER

STEP 1: Turn the flask lever to the right, to the unlocked position (machine head will rise automatically) (Diagram 1).

STEP 2: Tilt glass bottle flask forward and remove glass bottle (Diagram 2).

STEP 3: Return glass bottle flask to upright position, push and hold the machine head down and turn the flask lever left, to the locked position (Diagram 3).

Insert the gas cylinder:

STEP 4: Press rear cover release button downwards and remove back cover (Diagram 4).

STEP 5: Remove the valve seal and plastic cap from the cylinder valve. Screw the cylinder firmly into the cylinder holder, and replace the back cover (Diagram 5).

EASY STEPS TO MAKE REFRESHING SPARKLING WATER

For ideal carbonation make sure to use cold water.

1. Fill your glass carbonating bottle with cold water up to the level indicated on the bottle.
2. Turn the flask lever right, to the unlocked position (machine head will rise automatically) (Diagram 1).
3. Tilt glass bottle flask forward and insert glass bottle (Diagram 2).
4. Return glass bottle flask to upright position, push the machine head down and turn the flask lever left, to the locked position (Diagram 3).
5. Press the carbonating button in short presses until you hear a buzz (Release the button between presses) (Diagram 6). Three buzzes will produce a standard fizz; additional presses will produce a stronger drink. NEVER PRESS FOR MORE THAN 5 BUZZES.
6. Turn the flask lever right to the unlocked position until the machine head starts to rise (Diagram 1). Excess gas in the bottle will be heard escaping from the machine as you turn the lever right.
7. Tilt glass bottle flask forward and remove glass bottle (Diagram 2). Enjoy!

REPLACING THE GAS CYLINDER

STEP 1: Press rear cover release button downwards and remove back cover (Diagram 4).

STEP 2: Unscrew the empty cylinder.

STEP 3: Remove the valve seal and plastic cap from the new cylinder valve. Screw the new cylinder firmly into the cylinder holder, and replace the back cover (Diagram 5).

CARING FOR YOUR DRINKSMAKER

To clean your Drinksmaker, wipe with a soft damp cloth. Do not wash it in a dishwasher. Do not place or store the Drinksmaker close to a heat source.

YOUR GLASS BOTTLE

Spare glass bottles are available at your local Soda-Club/SodaStream retailer.

Do not use any other glass bottle other than an original Soda-Club/SodaStream bottle that is suitable for the Crystal Drinksmaker.

Do not subject the glass bottle to extreme temperature fluctuations (e.g. do not put hot water in a cold bottle) and do not place it in the freezer (these may cause cracks in the bottle).

The Crystal glass bottle is suitable for dishwasher use.

It is recommended to keep the Crystal Drinksmaker bottles filled with water in the fridge, ready for carbonation.

In the rare event that a bottle breaks during carbonation in your Crystal Drinksmaker (the broken glass particles will remain contained inside the glass bottle flask), please follow these instructions:

event that a bottle breaks during carbonation in your Crystal Drinksmaker (the broken glass particles will remain contained inside the glass bottle flask), please follow these instructions:

1. Remove the cylinder from the back of the machine.
2. Turn the machine upside down and dump broken glass carefully into a garbage bin. Wash the glass bottle flask and the underside of the machine head under running water.
3. Allow the glass bottle flask and machine to completely dry.
4. Carefully wipe the glass bottle flask and the machine with a disposable dry cloth.
5. To rinse the internal mechanism, carbonate two bottles of water, dispose of the drink and thoroughly clean the bottles before reusing the machine.

In the event that you suspect that glass particles are still in the machine, call your local customer care team for assistance.

IMPORTANT

Store cylinders in a cool place. Exposure to heat will cause the pressure in the cylinder to rise. As a safety precaution, the cylinder will expel the CO₂ if the pressure inside the cylinder becomes too high. If this should happen, do not touch the cylinder; simply leave it until all the gas has escaped. In such a case the quick release of CO₂ causes the cylinder to become extremely cold. Do not touch the cylinder until it has warmed to room temperature.

WARRANTY

Great care has been taken to ensure that your Crystal Drinksmaker is delivered to you in perfect condition. However, if a fault should occur during a 24 month period following the date of purchase, (please keep the receipt) due to faulty workmanship or inferior raw materials, we will either repair or replace (at our discretion) your Drinksmaker free of charge. The warranty does not cover damage caused by use of a non-authorised cylinder or bottle. The warranty is only valid if the machine is returned with a dated proof of purchase. The efficient repair or service of the Drinksmaker cannot be guaranteed to be carried out by any other party, and therefore, for the warranty to retain its validity, please arrange such repair or service through an authorised retailer.

Even if the fault has occurred due to misuse, we remain at your service; please arrange such repair or service through an authorised retailer.

TIPS AND TROUBLE SHOOTING

- ✓ Always carbonate COLD water.
 - ✓ Never carbonate anything other than plain water.
1. If your Drinksmaker does not carbonate:
 - Make sure you are pressing the carbonating button down as far as possible in short sharp bursts.
 - If the cylinder is empty, exchange it for a full one.
 - Check that the glass bottle has been filled up to the fill line.
 2. If, when fitting a new cylinder, gas leaks after you have screwed the cylinder into the Drinksmaker:
 - Screw the cylinder tighter into its holder. If this doesn't help, remove the cylinder and re-screw it into the Drinksmaker as indicated in the section "Replacing the gas cylinder."
 3. If water overflows from the glass bottle during carbonation:
 - Check if you have over-filled the glass bottle.
 - Check the fill line and empty excess water if necessary.
 - Are you pressing the carbonating button too long? Use short, firm presses only.
- If you have any more questions or queries, please contact your local customer care team or contact us at www.sodaclub.com or www.sodastream.com

ADDITIONAL INFORMATION

CRYSTAL GLASS BOTTLES

Your Drinksmaker has been designed to operate with a suitable Crystal glass bottle. The warranty does not cover damage caused by the use of sodawater bottles or -cylinders of other manufacturers than SodaStream, and therefore, please use only original Crystal glass bottles in your Drinksmaker.

SODA-CLUB/SODASTREAM CYLINDERS

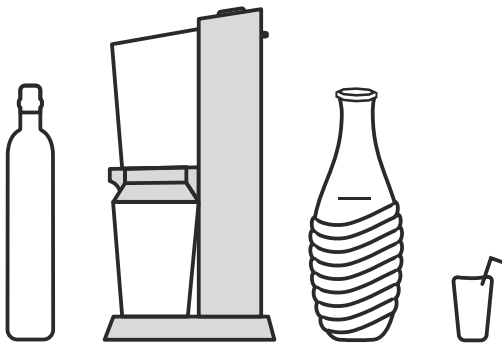
Your Drinksmaker has been designed to operate with a suitable Soda-Club/SodaStream Cylinder as explained in the instructions in this manual. The warranty does not cover damage caused by the use of sodawater bottles or -cylinders of other manufacturers than SodaStream, and therefore, please use only a suitable Soda-Club/SodaStream Cylinder filled by an authorised Soda-Club/SodaStream filling station, available from authorised Soda-Club/SodaStream Retailers.

The Soda-Club/SodaStream Cylinders are not for sale. They are the property of Soda-Club (CO2) Ltd., or its affiliate, as indicated on the Cylinder and the User Certificate enclosed with the Cylinder. The Soda-Club/SodaStream Cylinder is transferred to you, subject to the terms of the Certificate, only for the specific purpose of carbonating water in a suitable Soda-Club/SodaStream Drinksmaker.

MACHINE RATING

Maximum working pressure: 10 Bar / 145 Psi. Maximum allowed operating temperature: 40°C/104°F. Bottle capacity at fill line will be in the range of 400 ml - 1.0 liter (varies by machine pack, may differ from images shown). Brimful bottle capacity will be in the range of 480 ml - 1.1 liter (varies by machine pack, may differ from images shown).

All Soda-Club and SodaStream products are subject to continuous developments and specifications and may change without notice.
SODA-CLUB and SODASTREAM are registered trademarks of Soda-Club and its affiliates.





UK

Soda-Club Worldwide Trading Company
Unit 3 The Manorgrove Centre
Vicarage Farm Road,
Peterborough, PE1 5UH
Tel: 0845 601 0093
www.sodastream.co.uk

SOUTH AFRICA:

Soda-Club (SA) (PTY) Ltd.
Route 21 Corporate Park,
48 Sovereign Drive, Irene ext 30,
Centurion.
Tel: 0800-00-22-91
www.sodastream.co.za

AUSTRALIA:

Soda-Club Australia Pty Limited
15 Glenvale Crescent, Mulgrave 3170,
Victoria, Australia
Tel: 1300SODASTREAM
www.sodastream.com.au

NEW ZEALAND:

CDB Goldair
PO Box 100-707 NSMC,
New Zealand 0745
Freecall: 0800 763 278
www.sodastream.co.nz

MALTA:

CROSSCRAFT CO.LTD
Valletta Road, Paola PLA02, Malta
Tel: +356 21804885

PHILIPPINES

Max.Ideas Marketing Corporation
8 University Ave Ext., Malabon,
M.M 1470 Philippines
Tel: (632) 3612269 +639175283196
+6391228158922
www.sodastream.com.ph

DEUTSCHLAND

Soda-Club GmbH
Höhenstraße 2, 65549 Limburg
Service-Hotline: 0800-1-831066
www.sodastream.de

ÖSTERREICH

Soda-Club Österreich GmbH
IZ NÖ-Süd, Straße 7, Objekt 58,
Gebäude D, Postfach 55,
A-2355 Wiener Neudorf
Tel: +43(0)2236-61 339
www.sodastream.at

FRANCE

OPM FRANCE
33 rue du Bois Briand, B.P 61635,
44316 Nantes Cedex 3
Tel: 02 40 49 64 25
www.sodastream.fr

BENELUX

Soda-Club International BV
Minervum 7334, 4817 ZD Breda,
Nederland / Pays-Bas
Tel: 0800-0223637(NL) www.sodastream.nl
Tel: 0800-74807(BE) www.sodastream.be

SCHWEIZ / SUISSE / SVIZZERA

Soda-Club
Distribution SA, 1800 Vevey
Infoline: 0800 800 812
www.sodaclub.ch

ITALY:

EUROMETALNOVA S.p.A.
Via San Pio X,
44 31020 San Vendemiano (TV) Italy,
+39/0438/400798
www.sodastream.it

SWEDEN:

Empire Sweden AB
Östermalmsgatan 87C,
114 59 Stockholm
Sweden +46 (0)8 586 30 400
info@sodastream.se
www.sodastream.se

NORWAY:

+47 800 30 095,
info@sodastream.no
www.sodastream.no

DENMARK:

+45 30 600 601, info@sodastream.dk,
www.sodastream.dk

FINLAND:

+358 9 4730 4421,
info@sodastream.fi
www.sodastream.fi

KOREA:

총판대리점:
㈜ 코리아테크, 서울 성동구 성수1가1동 364-1
전화: 02-3409-2103

CYPRUS:

Διανέμεται από:
Thetaco Traders Ltd
Λάρνακα 24-532220

RUSSIA:

Дистрибьютор в Российской
Федерации
ООО "Хоум Сода", Россия, 119526,
Москва, пр-т Вернадского, 93 корп. 1
тел. +7 (495) 739-6268,
www.sodastream.ru

POLAND:

Nestlé Waters Polska S.A. Oddział Dar
Natura w Warszawie, ul. Łopuszańska 38B,
02- 232 Warszawa,
tel. 0 801 122 777
www.darnatura.pl

CZECH REPUBLIC

Dovozce pro ČR: FAST ČR a.s.
Černokostelecká 1621, CZ-25101 Říčany
Tel: +420323204111, Fax: +420323204110
www.sodastream.cz

SLOVENSKÁ REPUBLIKA:

FAST Plus s.r.o.
Na Pántoch 18, SK-83106, Bratislava,
Slovenská Republika
Tel: +421 2 49105811, Fax: +421 249105810

HUNGARY:

Forgalmazza: FAST Hungary Kft
DEPO Pf. 102,
H-2046 Törökbálint, Hungary
Tel: +36-23-330-830
Fax: +36-23-330-827
www.fasthungary.hu

CROATIA:

Distributer za Hrvatsku:
BATAGEL d.o.o.
10 000 Zagreb, Hrvatska
www.sodastream.com/croatia

SLOVENIJA:

BATAGEL&CO. d.o.o.
Reška cesta 7,
6230 Postojna, Slovenija,
tel. 05 700 17 00
www.sodastream.si

BALTIC STATES:

Tel +371-673 21 205
www.sodastream.lv
www.sodastream.lt
www.sodastream.ee

USA:

Imported by:
Soda-Club USA, Inc.
PO Box 4366, Cherry Hill,
NJ 08034-9996
Customer Support toll-free:
1-800-763-2258
www.sodastream.com

CANADA:

Eco Stream Canada
simply ecological products
Canadian Distributor of SodaStream
120-1821Wellington Ave
Winnipeg, MB, R3H 0G4
Tel: 1.877.436.5866
www.sodastream.ca

MEXICO:

IMPORTADO POR:
Seytan SA de CV
Av. Via Dr. Gustavo Baz No. 98 Int. 6-A2,
Fraccionamiento Industrial Alce Blanco,
Nauacalpan de Juarez, Edo de Mexico, CP
53370 Mexico
(55) 53587898
www.sodastream.com.mx

COLOMBIA:

Importado y Distribuido por
MAAYAN S.A.S
Calle 82 No.5-48, Bogota, D.C. - Colombia
Tel: 1-2367607, www.sodastream.com.co

TAIWAN:

進口商：恆隆行貿易股份有限公司
進口商地址：台北市內湖區洲子街88號7樓
消費者服務專線：0800-251-209
消費者維修專線：0800-251-015
恆隆行網站www.hlh.com.tw