

项目名称

W2406F

版本号

A02

设计时间

2024/09/30

物料名称

说明书

设计师

周华峰

审核

批准

料号

04170500003772

材质工艺要求:

材质要求: 封面:157g 哑粉纸过油, 内页: 70g 双胶纸, 胶装

颜色及专色: 单色印刷 k=100

尺寸要求: 140mm\*210mm

变更履历:

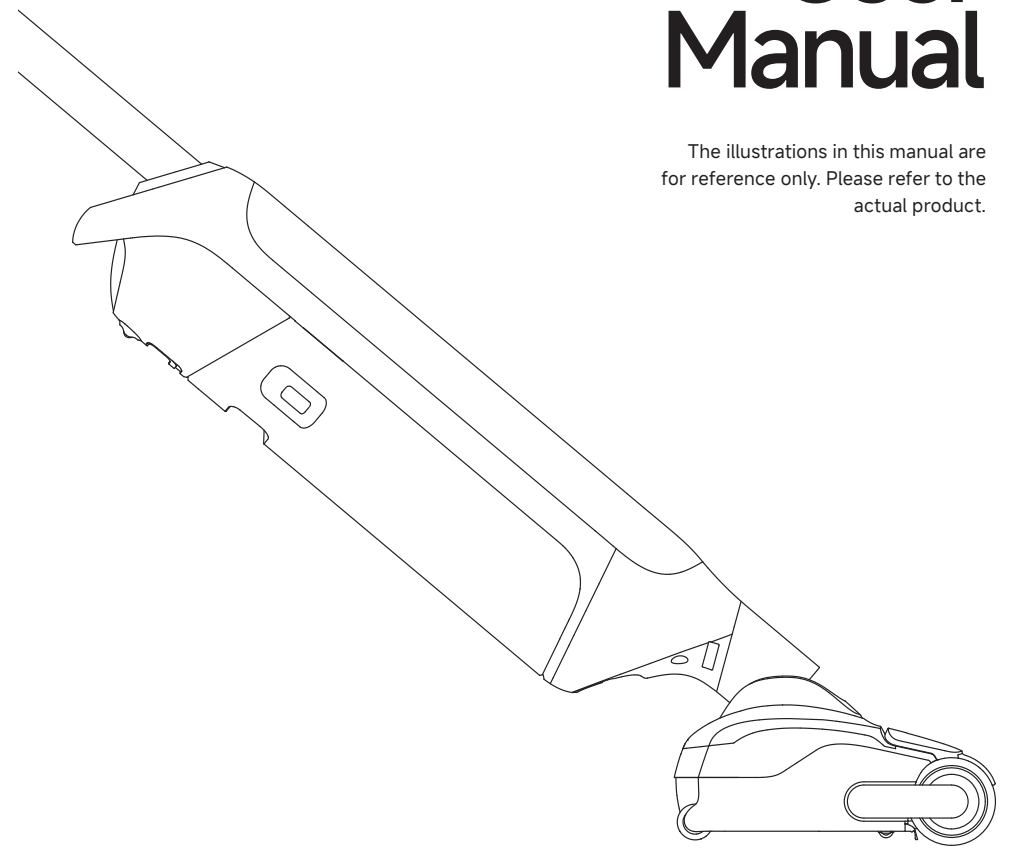
A01 2024/09/07 去除俄语  
A022024/09/30 MOVA 网址变更

# M10

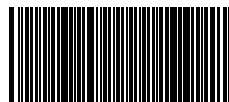
Wet and Dry Vacuum

## User Manual

The illustrations in this manual are for reference only. Please refer to the actual product.



HMH15A-EU-A02



Website: [www.mova-tech.com](http://www.mova-tech.com)  
Manufactured by: Dreame Trading (Tianjin) Co., Ltd.  
Made in China

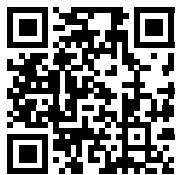
**MOVA**

# THANK YOU

For purchasing this  
Wet and dry vacuum.

---

For more product information,  
please visit [www.mova-tech.com](http://www.mova-tech.com)



The high-quality product is engineered  
for optimal performance.  
If you have any questions on the product,  
please contact us:  
<https://global.mova-tech.com/pages/contact-us>



# CONTENTS

<b>EN</b>	User Manual	01
<b>DE</b>	Benutzerhandbuch	19
<b>FR</b>	Manuel d'utilisation	37
<b>IT</b>	Manuale utente	55
<b>ES</b>	Manual de usuario	73
<b>NL</b>	Gebruikershandleiding	91
<b>PT</b>	Manual do utilizador	109

# Important Safety Instructions

Please read this manual carefully before use and retain it for future reference.

When using an electrical appliance, basic precautions should always be followed, including the following:

**READ ALL INSTRUCTIONS BEFORE USING (THIS APPLIANCE).** Failure to follow the warnings and instructions may result in electric shock, fire and/or serious injury.

**WARNING** — To reduce the risk of fire, electric shock, or injury:

## Usage Restrictions

- This appliance should not be used by children younger than 8 years old nor persons with physical, sensory, intellectual deficiencies, or limited experience or knowledge without the supervision of a parent or guardian to ensure safe operation and to avoid any risks. Cleaning and maintenance shall not be performed by children without supervision.
- Plastic film can be dangerous. To avoid the danger of suffocation, keep it away from children. Children shall not play with the appliance.
- Use indoors only, on non-carpeted floor surfaces such as vinyl, tile, sealed wood, etc. Be careful not to run over loose objects or the edges of area rugs. Stalling the brush may result in premature belt failure.
- Use only as described in this user guide. Use only manufacturer's recommended attachments.
- Do not expose the appliance to fire or excessive temperature. Exposure to fire or excessive temperature may cause an explosion.
- Do not use in extremely hot or cold environments (below 5° C/41° F or above 40° C/104° F). Please charge the appliance in temperature above 5° C/41° F and below 40° C/104° F.
- Do not immerse the appliance in liquid.
- Do not use to pick up flammable or combustible liquids, such as gasoline. Do not use in areas where flammable or combustible liquids may be present.
- Do not put any object into openings. Do not use the appliance when any opening is blocked. Keep free of dust, lint, hair, and anything that may inhibit air flow.
- Do not pick up toxic material (chlorine bleach, ammonia, drain cleaner, etc.). Do not pick up hard or sharp objects such as glass, nails, screws, coins, etc.
- Do not use the appliance in an enclosed space filled with vapor given off by oil-based paint, paint thinner, some moth-proofing substances, flammable dust, or other explosive or toxic vapour. Do not pick up anything that is burning or smoking, such as cigarettes, matches or hot ashes.
- Do not use the appliance without filters in place.
- Keep hair, loose clothing, fingers, and all parts of the body away from openings and moving parts of the appliance and its accessories.
- Keep ground cables away from the appliance when using it. A hazard may occur if the appliance runs over a supply cord.
- Use extra care when cleaning on stairs.

# Important Safety Instructions


## Maintenance and Storage

- Prevent unintentional starting. Ensure the switch is in the OFF-position before picking up or carrying the appliance. Carrying the appliance with your finger on the switch or turning on the appliance may result in an accident.
- Ensure that the appliance is placed on a horizontal surface. Do not use the appliance at the same position if the appliance is equipped with a brush roller and the handle is not completely upright. Do not store the appliance in a place where it may freeze.
- Switch off and unplug the appliance when not in use, before cleaning, maintaining or servicing it, and before connecting or disconnecting it with a moving brush.
- Do not use an appliance that is damaged or modified. A damaged or modified appliance may exhibit unpredictable behavior resulting in fire, explosion, or risk of injury.
- Do not modify or attempt to repair the appliance except as indicated in the instructions for use and care.
- Do not use the appliance with a damaged attachment (eg: charging base, supply cord etc.). If the appliance or attachment has been dropped, damaged, left outdoors, dropped into water, or is not working as it should, never attempt to operate it. Please have it repaired at an authorized service center.
- Have servicing performed by a qualified repair person using only identical replacement parts. This will ensure that the safety of the appliance is maintained.


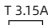




## Battery and Charging

- For the purpose of recharging the appliance, only use the charging base provided with this appliance. Use only with HCBX charging base.
- Follow all charging instructions and do not charge the appliance outside of the temperature range specified in the battery as doing so increases the risk of fire.
- Charging base is equipped with drying function and only suitable for drying this appliance's brush.
- Keep the charging base cable away from heated surfaces. Do not handle the charging base plug or appliance with wet hands. To unplug, grasp the charging base plug, rather than the cable.
- Do not pull or carry charging base by cable, use cable as a handle, close door on cable, or pull cable around sharp edges or corners.
- Do not use any non-rechargeable battery pack. Failing to do so may cause the lithium-ion battery to catch fire. This appliance contains batteries that can only be replaced by qualified technicians or after-sales service.
- The lithium-ion battery pack contains substances that are hazardous to the environment. Before disposing of the appliance, please first remove the battery pack, then discard, or recycle it in accordance with local laws and regulations of the country or region it is used in.
- The appliance must be disconnected from the power supply when removing the battery. Keep batteries out of the reach of children. Never put batteries in mouth. If swallowed, contact your physician or local poison control.

# Important Safety Instructions

- Under abusive conditions, never contact the battery from which the liquid may be ejected. If contact accidentally occurs, rinse with water. If liquid contacts eyes, seek medical help immediately. Liquid ejected from the battery may cause irritation or burns.
- The charging base is capable of charging the 6-cell 4000 mAh battery pack. This charging base should not be used to charge non-rechargeable batteries. Failing to do so may cause the lithium-ion battery to catch fire.
- The charging base is marked with a  icon indicating "Caution: Hot Surface". Do not touch the brush roller, hot water, or heating module of the charging base while self-cleaning with hot water.
- The instructions for appliance with a liquid dispensing system specify the amount and type of the liquid to be used (IEC 60335-2-10).

## Symbols

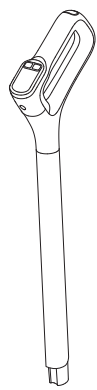
-  Class II equipment
-  Time-lag miniature fuse-link where T 3.15A is the symbol for the time/current characteristic
-  For indoor use only
-  Read operator's manual
-  Caution: Hot Surface
-  WEEE Information  
All products bearing this symbol are waste electrical and electronic equipment (WEEE as in directive 2012/19/EU) which should not be mixed with unsorted household waste. Instead, you should protect human health and the environment by handing over your waste equipment to a designated collection point for the recycling of waste electrical and electronic equipment, appointed by the government or local authorities. Correct disposal and recycling will help prevent potential negative consequences to the environment and human health. Please contact the installer or local authorities for more information about the location as well as terms and conditions of such collection points.

We, Dreame Trading (Tianjin) Co., Ltd., hereby declares that this equipment is in compliance with the applicable Directives, European Norms, and amendments. The full text of the EU declaration of conformity is available at the following internet address:  
[www.mova-tech.com](http://www.mova-tech.com)

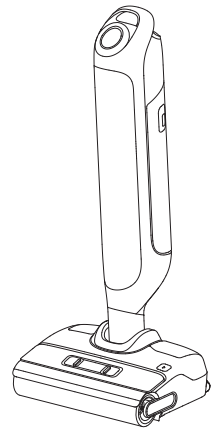
For detailed e-manual, please go to  
<https://www.mova-tech.com/pages/user-manuals-and-faqs>

# Product Overview

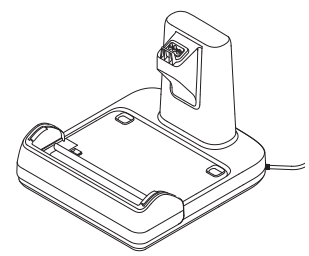
## Packing List



Handle



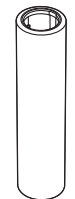
Main Body



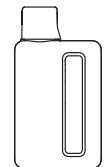
Charging Base



Replacement Filter



Spare Brush Roller

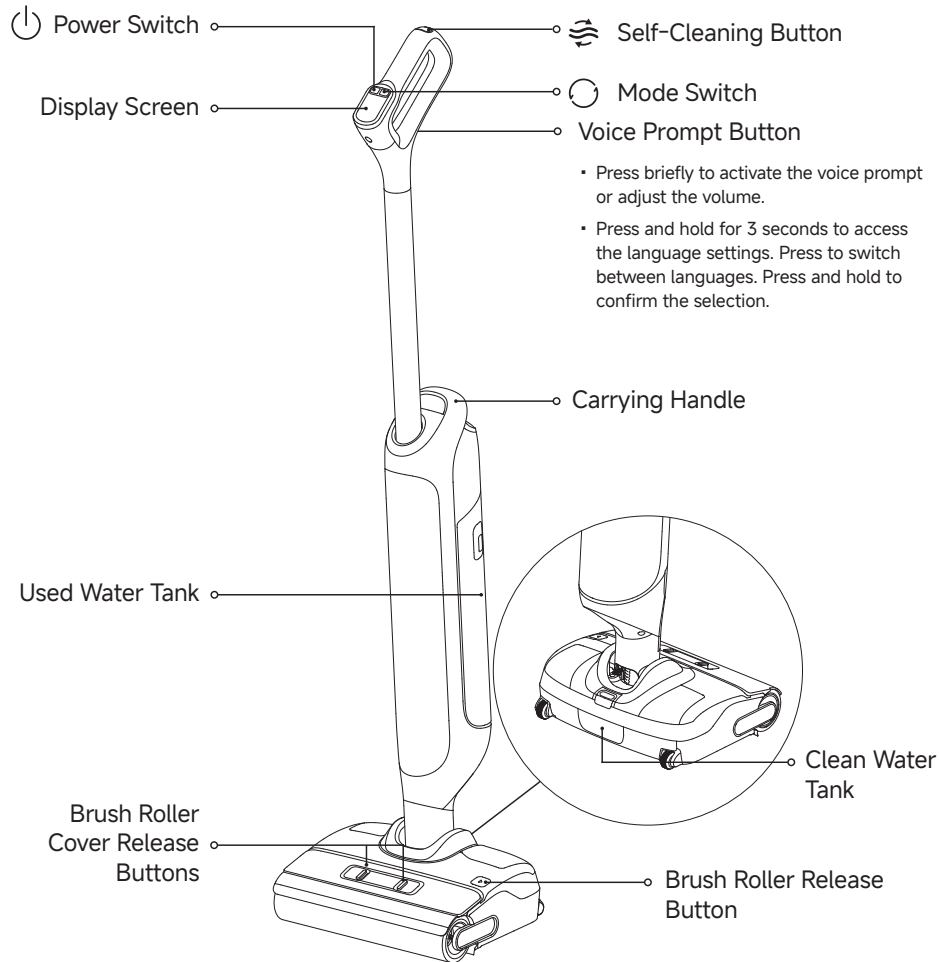


Cleaning Solution

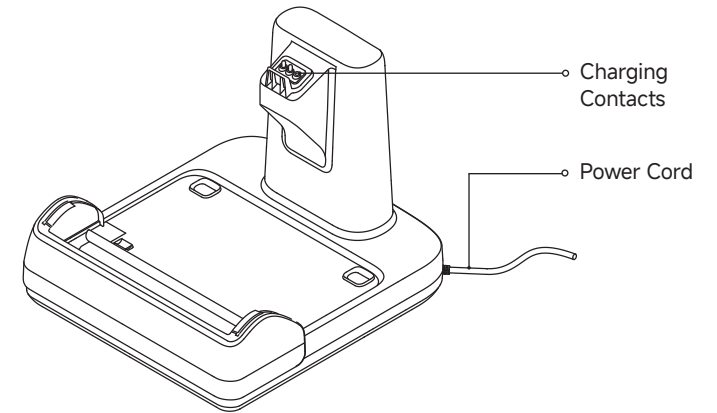


Cleaning Brush

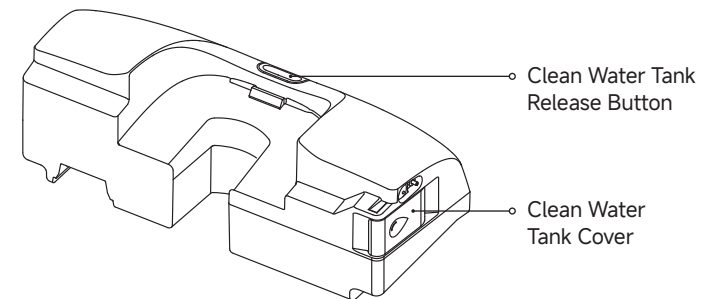
### Vacuum



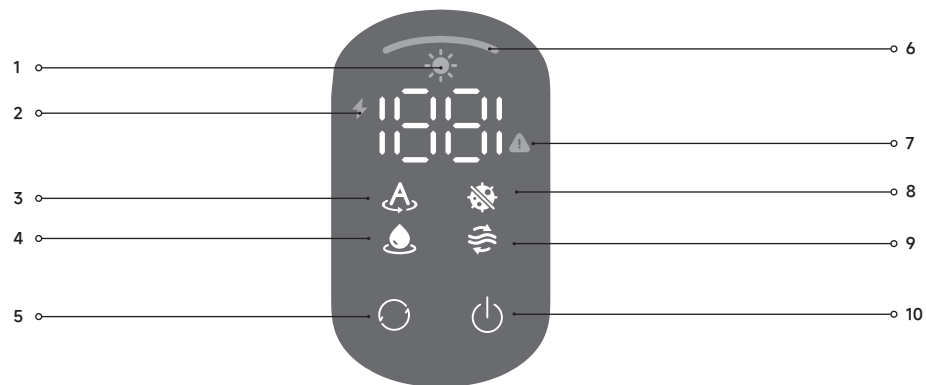
### Charging Base



### Clean Water Tank



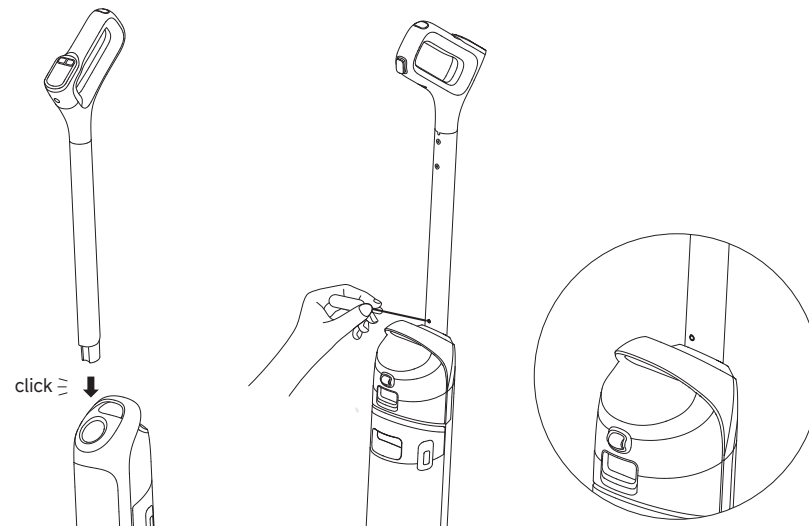
### Display Screen



- |   |  |
|---|--|
| 1 Drying Mode                             | 6 Dust Concentration Indicator<br>The color of the indicator changes with the amount of dirt in real time. |
| 2 Low Battery/Charging Indicator          | 7 Error Messages   |
| 3 Smart Mode                              | 8 Ultra Mode   |
| 4 Suction Mode                            | 9 Self-Cleaning Mode   |
| 5 Mode Switch<br>Press briefly to switch. | 10 Power Switch<br>Press briefly to start/stop cleaning.   |

Note: If the appliance is not working properly, the display screen will show an error message. Please refer to the Error Prompts and Solutions table to find your solution.

Insert the end of the handle vertically into the port on the top of the appliance as indicated until you hear a click.



Note: To disassemble, extend a hard object into the hole of the appliance as indicated to press in the contacts and pull the handle upwards at the same time.

### Charging

1. Place the charging base against a wall on level ground and connect it to a power source. Fully charge the appliance before first use.
2. Place the appliance on the charging base. The battery is fully charged when the number on the display screen reaches 100.

- ⚡ Charging/Low Battery Indicator**
- Breathing Orange: Battery level ≤ 20% (charging)
  - Breathing Green: Battery level > 20% (charging)
  - Solid Green: Full charged
  - Solid Orange: Battery level ≤ 20%

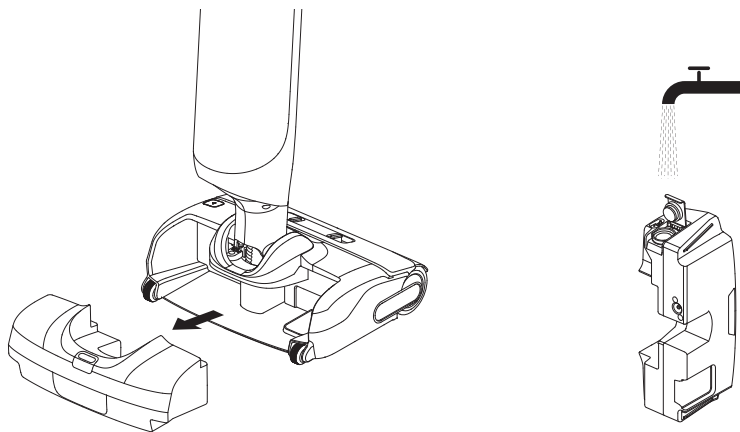
Note:

- If there is no operation within 10 minutes of being fully charged, the vacuum will enter sleep mode. Please restart the appliance if you need to use it.
- To extend the battery life time, the battery keeps cooling down automatically after you have used the appliance for a long time.

# How to Use

## Filling the Clean Water Tank

Press the Clean Water Tank release button to remove the tank. Open the tank cover and fill the tank with clean water. Install the Clean Water Tank and ensure it clicks into place.



## Adding Cleaning Fluid

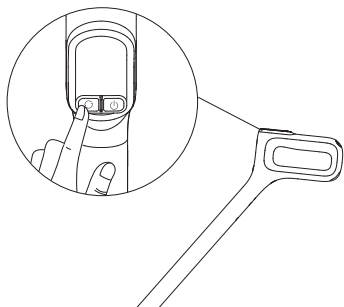
1. Remove the seal before use.
2. Measure the floor cleaner with the bottle cap (\*approximately 10 ml/0.34 fl oz per cap).
3. Pour it into the Clean Water Tank and gently shake to mix evenly before use.

Note: Do not add any liquids other than the officially-approved cleaner. The cleaner can be available on the official online store.

WARNING: To reduce the risk of fire and electric shock due to internal component damage, use only mova AWH10 cleaning fluid intended for use with the appliance.

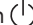
## Switching Modes

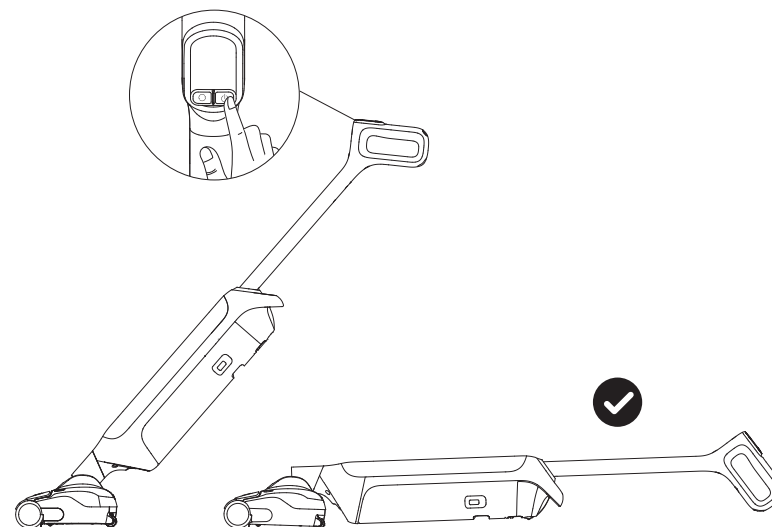
Press the mode switch  to switch modes according to your needs.



# How to Use

## Starting Cleaning

Gently step on the brush cover and recline the appliance backwards. Press the power switch  to start/stop operating. If the appliance is in the upright position while working, the current task will be suspended. The appliance is designed for lying flat at a 180-degree angle, enabling it to reach and clean under the low-profile furniture.



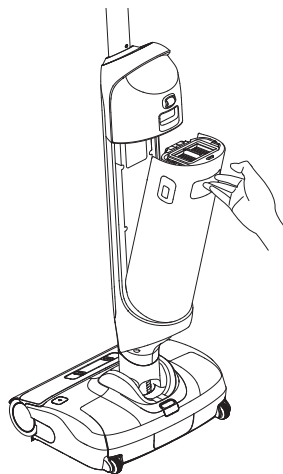
Note:

- Do not vacuum any foamy liquids.
- Make sure the appliance is in upright position before turning off the power while the appliance is lying flat.
- The appliance is suitable for cleaning floors, marble, tiles and other hard surfaces.
- When the appliance is in operation, do not lift it off the ground, move it or tilt it. Otherwise, the used water may flow into the motor.

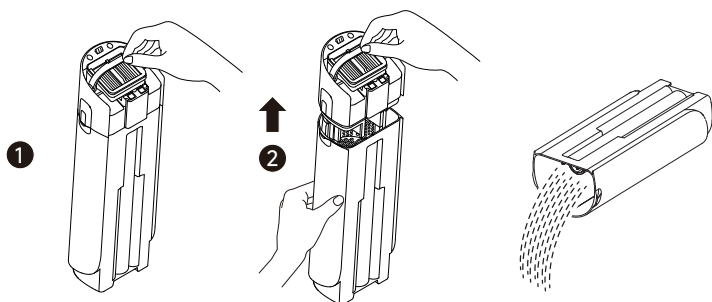
# How to Use

## Emptying the Used Water Tank

1. Press the Used Water Tank release button to remove the tank.





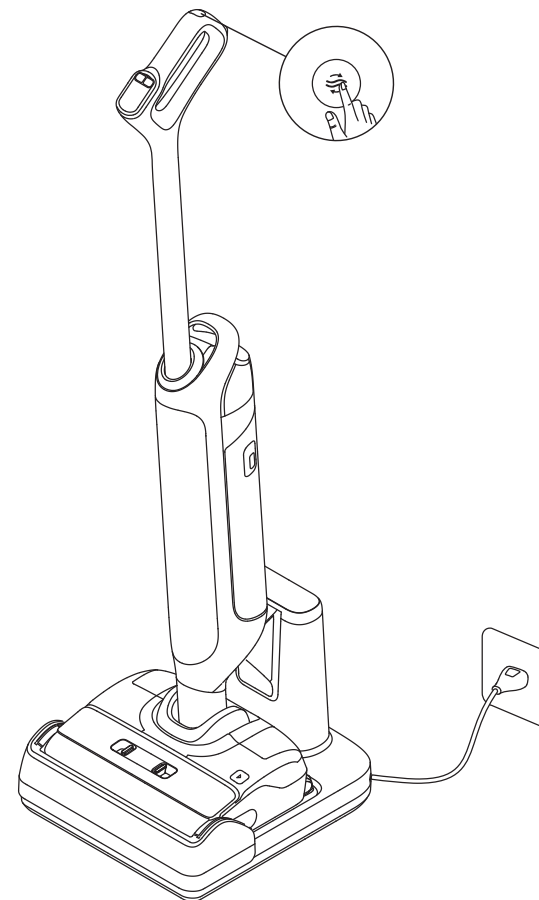
2. Pull up the Used Water Tank cover handle, lift off the cover, and pour out the used water.



# How to Use

## Self-Cleaning with Hot Water & Drying Mode

1. Place the appliance back onto the base. Ensure that the water in the Clean Water Tank is sufficient for self-cleaning.
2. Briefly press the self-cleaning button  on the top of the handle to start/stop self-cleaning. Switch the self-cleaning with hot water mode according to the voice prompts.
3. Please empty the Used Water Tank after self-cleaning is completed and drying mode has been engaged. Press the button  to exit drying mode.



### Note:

- Do not touch the brush roller, hot water, or heating module of the charging base while self-cleaning with hot water.
- The self-cleaning function can be enabled only when the appliance is being charged and the battery level is more than 20%. If the battery level is lower, please charge to 20% before starting self-cleaning.

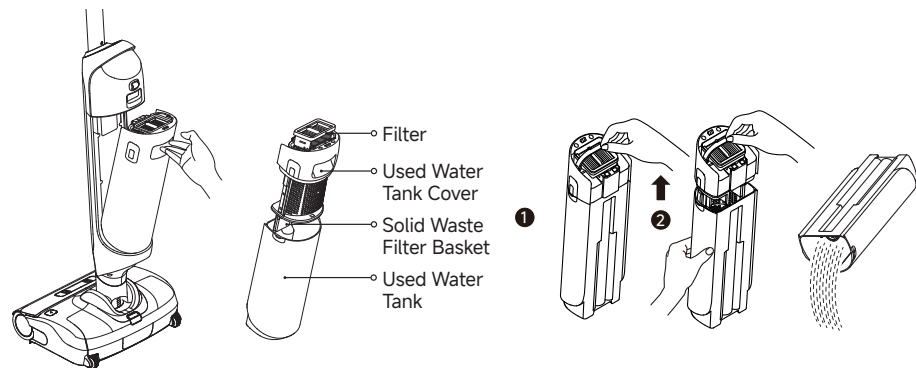
**Tips:**

- Turn off the appliance before maintenance. Do not touch the power switch.
- Replace parts if needed. The parts must be replaced by those available from the manufacturer or its service agent.
- If the appliance is not used for an extended period, fully charge it, unplug the power plug, and store the appliance in a cool, low-humidity environment away from direct sunlight. To avoid over-discharge of the battery, charge the appliance at least once every 3 months.

**Cleaning the Used Water Tank**

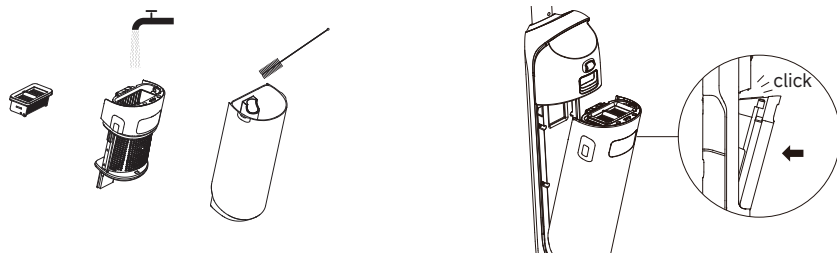
1. Press the Used Water Tank release button to remove the tank.

2. Pull up the Used Water Tank cover handle, lift off the cover. Remove the filter from the cover.



3. Rinse the Used Water Tank and the tank cover with water. Use the provided cleaning brush to clean the inner walls of the tank.

4. Re-install the filter and the Used Water Tank cover. Then re-install the Used Water Tank until you hear a click.



Note: It is recommended to clean the Used Water Tank in time after each use, as well as before and after the self-cleaning.

**Cleaning the filter**

1. Remove the filter and gently knock off the floating dust on the surface.

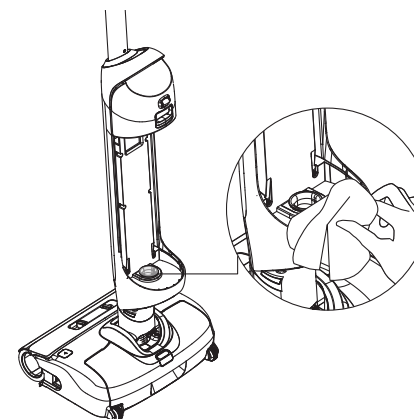
2. When the filter is dirty and needs washing, rinse it with water. It must be completely dry before use.



Note: Replacing the filter every 3 to 6 months is recommended.

**Cleaning the Tube and the Dirt Sensor**

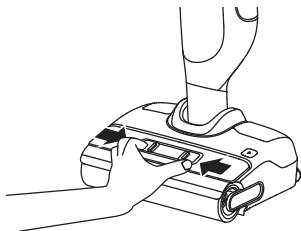
Remove the Used Water Tank. Wipe the tube and the dirt sensor with a wet cloth before use.



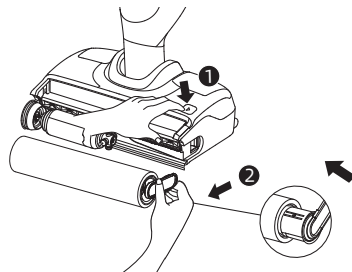
Note: Do not rinse the tube or the dirt sensor.

### Cleaning the Brush Assembly

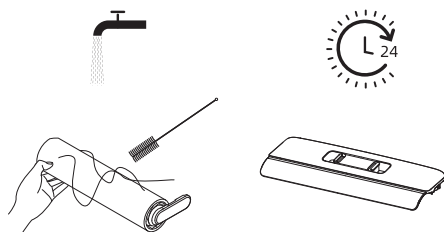
1. Press the brush roller cover release buttons to remove the brush roller cover.



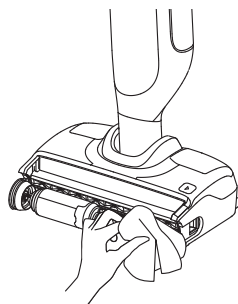
2. Press the brush roller release button and pull the handle to take out the brush roller. Separate the handle from the brush roller.



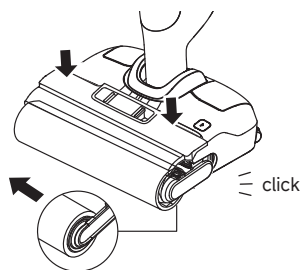
3. Clear any hair and debris caught on the brush roller with the provided cleaning brush. Rinse the brush roller and the cover with clean water and dry it completely.



4. Wipe the suction inlet with a dry cloth or wet tissue.



5. Re-install the brush roller and the brush roller cover until you hear a click.



**Note:**

- Do not rinse the brush assembly with water.
- Clean as needed. Replacing the brush roller every 3 to 6 months is recommended.
- Ensure the Used Water Tank is removed or empty before laying the appliance on its side to clean the roller brush.

If an error occurs, the appliance will stop working. Please refer to the following table for troubleshooting. If the problem persists, please contact the customer service.

Error	Possible Cause	Solution
The appliance does not work.	The appliance is out of battery or its battery level is low.	Fully charge its battery before use.
	The appliance is in the upright position.	Recline the appliance backwards.
	Blockage activated overheat protection mode.	Clear the blockage and wait until the temperature returns normal.
	The Used Water Tank is full.	Empty the Used Water Tank.
	The parts are not installed in place.	Ensure all parts are all properly in place.
The appliance charges slowly.	The temperature of the battery is too low or too high.	Wait until the battery's temperature returns normal.
The suction power of the appliance is weak.	The filter is clogged.	Clean the filter.
	The suction inlet or tube is blocked by a foreign object.	Clean the tube and the suction inlet.
The motor is making a strange noise.	There is too much dirty water in the Used Water Tank.	Empty the Used Water Tank.
	The suction inlet is blocked.	Clear any blockage in the suction inlet.
The battery level indicator on the display screen does not light up while charging.	The charging base plug is not inserted into the electrical outlet properly.	Make sure the charging base plug is inserted in place.
	The appliance is not placed onto the charging base properly.	Make sure the appliance is placed onto the charging base properly.
No water is coming out of the appliance.	The Clean Water Tank is not properly installed in place, or the water in the Clean Water Tank is insufficient.	Re-install or fill the Clean Water Tank.
	It takes 30 seconds to dampen the brush roller.	Turn on the appliance and check again after a while.

# Troubleshooting

The vent leaks water.	A collision or a sharp pull causes water to enter the motor.	Move the appliance gently back and forth while it is turned on.
	The filter is not completely dry after being cleaned.	Dry the filter completely before use.
Self-cleaning fails.	The brush roller may be jammed by large debris.	Remove the brush roller cover to check and clean the brush roller.
	The appliance is not placed onto the charging base properly.	Make sure the appliance is being charged before enabling the self-cleaning function.
	Self-cleaning cannot be enabled if the battery level is lower than 20%.	Self-cleaning can only be enabled while the appliance is being charged and the battery level is more than 20%.
	The Used Water Tank is full.	Empty the Used Water Tank.
	The Clean Water Tank is not installed in place, or the water in the Clean Water Tank is insufficient.	Re-install or fill the Clean Water Tank.
Poor drying performance.	The air outlet and air inlet of the charging base may be blocked.	Check and clear the blockage of air outlet and air inlet.

## Error Prompts and Solutions

If the appliance is not working properly, the screen display will show an error message. Please refer to the below table to find your solution.

Error Code	Possible Cause	Solution
E1-E7	Error	Restart the appliance for troubleshooting. If the problem persists, please contact customer service.
F1-F3		
H2/H3/H5/H6		

# Specifications

Vacuum			
Model	HMH15A	Rated Power	300 W
Rated Voltage	21.6V ---	Charging Voltage	27V ---
Clean Water Tank Capacity	800mL	Used Water Tank Capacity	700mL
Charging Time	Approx. 4 hours		
Charging Base			
Model	HCBX	Rated Power Input*	650W
Rated Input	220-240V ~ 50-60Hz	Rated Output	27V --- 1.6A
Protection against harmful ingress of water		IPX1	

\* The rated input power refers to the power measured during a representative cycle for entering the drying mode.

## Battery Disposal and Removal

The built-in lithium-ion battery contains substances that are hazardous to the environment. Before disposing of the battery, make sure the battery is removed by qualified technicians and discarded at an appropriate recycling facility.

- the battery must be removed from the appliance before it is scrapped;
- the appliance must be disconnected from the supply mains when removing the battery;
- the battery is to be disposed of safely.

### CAUTION:

- Before removing the battery, disconnect the power and run out the battery as much as possible.
- Unneeded batteries should be discarded at an appropriate recycling facility.
- Do not expose to high temperature environment to avoid risks of explosion.
- Under abusive conditions, liquid may be ejected from the battery. If contact occurs, flush with water and seek medical help.

### Removal Guide

1. Remove the handle by referring to the Installation section.
2. Use a proper tool to remove the top and body decorative covers of the appliance.
3. Remove the wastewater tank, and use a screwdriver to remove all the fixing screws from the body.
4. Remove the fixing screws on the appliance front cover. Remove the cover.
5. Remove the main control board cover, disconnect the battery pack connector cables, and remove the battery from the battery pack assembly.

# Wichtige Sicherheitshinweise

Bitte lesen Sie dieses Handbuch vor der Verwendung sorgfältig durch und bewahren Sie es zum späteren Nachschlagen auf.

Bei der Verwendung eines elektrischen Geräts sollten immer grundlegende Vorsichtsmaßnahmen beachtet werden, einschließlich der folgenden:

**LESEN SIE VOR DEM GEBRAUCH (DIESES GERÄT) ALLE ANWEISUNGEN.** Die Nichtbeachtung der Warnhinweise und Anweisungen kann zu einem Stromschlag, Brand bzw. schweren Verletzungen führen.

**WARNUNG** – Um die Gefahr von Bränden, Stromschlägen oder Verletzungen zu verringern:

## Nutzungsbeschränkungen

- Um einen sicheren Betrieb zu gewährleisten und Risiken zu vermeiden, darf dieses Produkt nicht von Kindern unter 8 Jahren, von Personen mit körperlichen, sensorischen oder geistigen Einschränkungen oder von Personen mit mangelnden Kenntnissen ohne Aufsicht eines Elternteils oder Vormunds verwendet werden. Kinder dürfen die Reinigung und Wartung nicht ohne Aufsicht durchführen.
- Kunststoffolie kann gefährlich sein. Um die Gefahr des Erstickens zu vermeiden, halten Sie sie von Kindern fern. Kinder dürfen nicht mit dem Gerät spielen.
- Verwenden Sie das Gerät nur in Innenräumen, auf nicht mit Teppichboden versehenen Böden wie Vinyl, Fliesen, versiegeltem Holz usw. Achten Sie darauf, nicht über lose Gegenstände oder Kanten von Teppichen zu fahren. Ein Abwürgen der Bürste kann zu einem vorzeitigen Ausfall des Riemens führen.
- Verwenden Sie das Gerät nur wie in dieser Bedienungsanleitung beschrieben. Verwenden Sie nur das vom Hersteller empfohlene Zubehör.
- Setzen Sie das Gerät keinem Feuer oder übermäßigen Temperaturen aus. Die Exposition gegenüber Feuer oder übermäßiger Temperatur kann eine Explosion verursachen.
- Nicht in extrem heißen oder kalten Umgebungen verwenden (unter 5 °C /41 °F oder über 40 °C/104 °F). Bitte laden Sie das Gerät bei Temperaturen über 5 °C /41 °F und unter 40 °C/104 °F auf.
- Tauchen Sie das Gerät nicht in Flüssigkeit.
- Dieses Gerät darf nicht verwendet, um brennbare oder leicht entzündliche Flüssigkeiten wie Benzin aufzunehmen. Dieses Gerät darf nicht in Bereichen verwendet werden, in denen brennbare oder leicht entzündliche Flüssigkeiten vorhanden sein können.
- Setzen Sie kein Objekt in die Öffnungen. Verwenden Sie das Gerät nicht, wenn die Öffnung blockiert ist. Halten Sie sich frei von Staub, Fusseln, Haaren und allem, was den Luftstrom behindern kann.
- Nehmen Sie kein giftiges Material auf (Chlorbleiche, Ammoniak, Abflussreiniger usw.). Heben Sie keine harten oder scharfen Gegenstände wie Glas, Nägel, Schrauben, Münzen usw. auf.
- Verwenden Sie das Gerät nicht in einem geschlossenen Raum, der mit Dämpfen gefüllt ist, die von ölhaltigen Farben, Farbverdünnern, einigen Mottenschutzmitteln, brennbarem Staub oder anderen explosiven oder giftigen Dämpfen abgegeben werden. Nehmen Sie keine brennenden oder rauchenden Gegenstände auf, wie z. B. Zigaretten, Streichhölzer oder heiße Asche.
- Verwenden Sie es nicht ohne eingesetzte Filter.
- Halten Sie Haare, lose Kleidung, Finger und alle Körperteile von den Öffnungen und beweglichen Teilen des Geräts und seines Zubehörs fern.
- Halten Sie Erdungskabel vom Gerät fern, da eine Gefahr auftreten kann, wenn das Gerät in Betrieb über ein Netzkabel läuft

# Wichtige Sicherheitshinweise

- Gehen Sie bei der Reinigung auf Treppen besonders vorsichtig vor.


## Wartung und Lagerung

- Verhindern Sie ein unbeabsichtigtes Starten. Vergewissern Sie sich, dass der Schalter in der AUS-Stellung ist, bevor Sie das Gerät in die Hand nehmen oder tragen. Das Tragen des Geräts mit dem Finger auf dem Schalter oder auf dem stromführenden Gerät, das den Schalter eingeschaltet hat, trägt zu Unfällen bei.
- Stellen Sie sicher, dass das Gerät auf einer horizontalen Fläche steht. Verwenden Sie das Gerät nicht an der gleichen Stelle, wenn das Gerät mit einer Walzenbürste ausgestattet ist und der Griff nicht vollständig aufrecht steht. Lagern Sie das Gerät nicht an einem Ort, an dem es einfrieren kann.
- Schalten Sie das Gerät bei Nichtgebrauch vor dem Reinigen, Warten aus, oder bevor Sie es mit einer beweglichen Bürste anschließen oder trennen.
- Verwenden Sie kein Gerät, das beschädigt oder modifiziert ist. Beschädigte oder modifizierte Batterien können ein unvorhersehbares Verhalten zeigen, was zu Feuer, Explosion oder Verletzungsgefahr führen kann.
- Verändern Sie das Gerät nicht und versuchen Sie nicht, es zu reparieren, es sei denn, dies ist in der Gebrauchs- und Pflegeanleitung angegeben.
- Verwenden Sie das Gerät nicht mit einem beschädigten Aufsatz, z. B. Ladekabel usw. Wenn der Aufsatz beschädigt ist, muss es vom Hersteller, seinem Servicepartner oder ähnlichen qualifizierten Personen ersetzt werden, um Gefahren zu vermeiden.
- Lassen Sie die Wartung von einer qualifizierten Reparaturkraft durchführen, die nur identische Ersatzteile verwendet. Dadurch wird sichergestellt, dass die Sicherheit des Produkts erhalten bleibt.

## Akku und Aufladen

- Zum Aufladen des Gerätes nur die mitgelieferte Ladestation verwenden. Nur mit HCBX-Ladestation verwenden.
- Befolgen Sie alle Ladeanweisungen und laden Sie das Gerät nicht außerhalb des in der Batterie angegebenen Temperaturbereichs auf, da dies die Brandgefahr erhöht.
- Die Ladestation ist mit einer Trocknungsfunktion ausgestattet und nur zum Trocknen der Bürste dieses Geräts geeignet.
- Halten Sie die Ladestation von beheizten Oberflächen fern. Fassen Sie den Stecker der Ladestation oder das Gerät nicht mit nassen Händen. Um den Netzstecker zu ziehen, greifen Sie nach dem Stecker der Ladestation und nicht nach dem Kabel.
- Ziehen oder tragen Sie Ladestaion nicht per Kabel, wobei Sie Kabel als Griff verwenden, Tür am Kabel schließen oder Kabel um scharfe Kanten oder Ecken ziehen.
- Benutzen Sie keine nicht wiederaufladbaren Batterien. Bei Nichtbeachtung besteht Brandgefahr für die Lithium-Ionen-Batterie. Dieses Produkt enthält Batterien, die nur durch qualifizierte Techniker oder Kundendienst ersetzt werden können.
- Der Lithium-On-Akku enthält umweltgefährdende Substanzen. Bevor Sie das Gerät entsorgen, entfernen Sie bitte zuerst den Batteriesatz, dann werfen Sie ihn oder recyceln Sie ihn gemäß den lokalen Gesetzen und Vorschriften des Landes oder der Region, in dem er verwendet wird.
- Das Gerät muss beim Entfernen der Batterie vom Netzteil getrennt werden. Batterien außerhalb der Reichweite von Kindern aufbewahren. Nehmen Sie Batterien niemals in den Mund. Im Falle des Verschluckens wenden Sie sich an Ihren Arzt oder die örtliche Giftnotrufzentrale.

# Wichtige Sicherheitshinweise

- Kommen Sie unter missbräuchlichen Bedingungen niemals die Batterie in Berührung, aus der die Flüssigkeit ausgeworfen wird. Wenn die Berührung versehentlich auftritt, spülen Sie mit Wasser ab. Wenn die Flüssigkeit mit den Augen in Berührung kommt, suchen Sie sofort ärztliche Hilfe auf. Die aus der Batterie ausgestoßene Flüssigkeit kann Reizungen oder Verbrennungen verursachen.
- Die Ladestation eignet sich zum Aufladen des 6-Zellen-Akkupacks mit 4000 mAh. Diese Ladestation sollte nicht zum Laden von nicht wiederaufladbaren Batterien verwendet werden. Bei Nichtbeachtung besteht Brandgefahr für die Lithium-Ionen-Batterie.
- Die Ladestation ist mit einem -Symbol gekennzeichnet, das angibt „Vorsicht: Heiße Oberfläche“. Berühren Sie während der Selbstreinigung mit heißem Wasser nicht die Bürstenrolle, das heiße Wasser oder das Heizmodul der Ladestation.
- In der Bedienungsanleitung für Geräte mit einem Flüssigkeitsausgabesystem sind Menge und Art der zu verwendenden Flüssigkeit angegeben (IEC 60335-2-10).

## Symbole



Geräte der Klasse II



Feinsicherung mit Zeitverzögerung wobei „3.15 A“ das Symbol für die Zeit/Strom-Kennlinie ist



Nur für den Innenbereich geeignet



Lesen Sie das Benutzerhandbuch



Achtung: Heiße Oberfläche



WEEE-Informationen

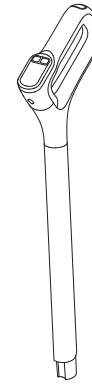
Alle mit diesem Symbol gekennzeichneten Produkte sind Elektroschrott und Elektrogeräte (WEEE entsprechend EU-Richtlinie 2012/19/EU) und dürfen nicht mit unsortiertem Haushaltsmüll vermischt werden. Schützen Sie stattdessen Ihre Mitmenschen und die Umwelt, indem Sie Ihre zu entsorgenden Geräte an eine dafür vorgesehene, von der Regierung oder einer lokalen Behörde eingerichtete Sammelstelle zum Recycling von Elektroschrott und Elektrogeräten bringen. Eine ordnungsgemäße Entsorgung und Recycling helfen, negative Auswirkungen auf die Gesundheit von Umwelt und Menschen zu vermeiden. Wenden Sie sich bitte an den Installateur oder lokale Behörden, um Informationen zum Standort und den allgemeinen Geschäftsbedingungen solcher Sammelstellen zu erhalten.

Wir, Dreame Trading (Tianjin) Co., Ltd., bestätigen hiermit, dass dieses Gerät mit geltenden Verordnungen und europäischen Normen sowie etwaigen Ergänzungen in Einklang steht. Der vollständige Text der EU-Konformitätserklärung kann unter folgender Internetadresse eingesehen werden: [www.mova-tech.com](http://www.mova-tech.com)

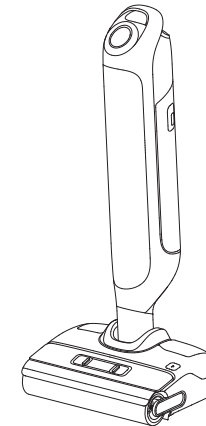
Ein detailliertes elektronisches Handbuch finden Sie unter <https://www.mova-tech.com/pages/user-manuals-and-faqs>

# Produktübersicht

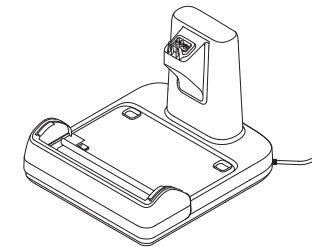
## Packliste



Handgriff



Hauptkörper



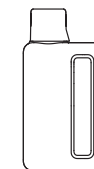
Ladestation



Ersatzfilter



Ersatzwalzenbürste

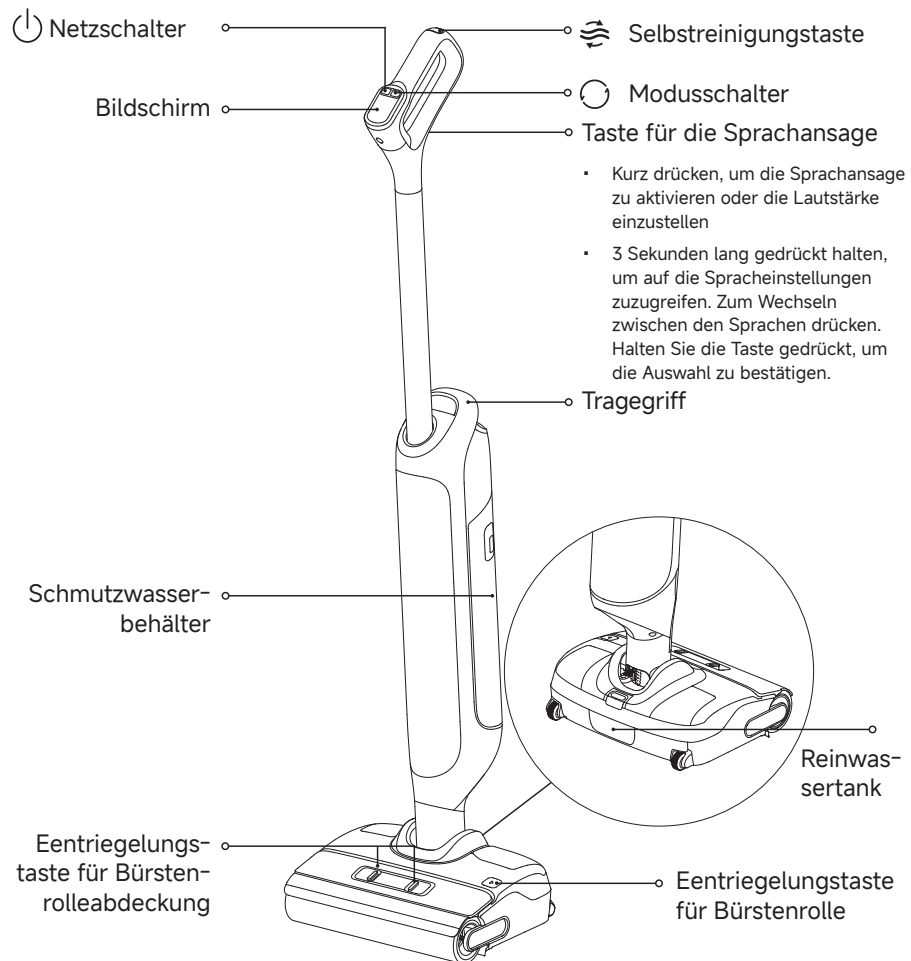


Reinigungsflüssigkeit

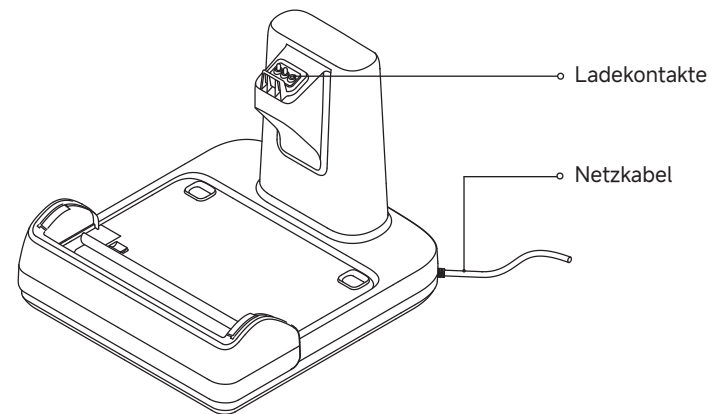


Reinigungsbürste

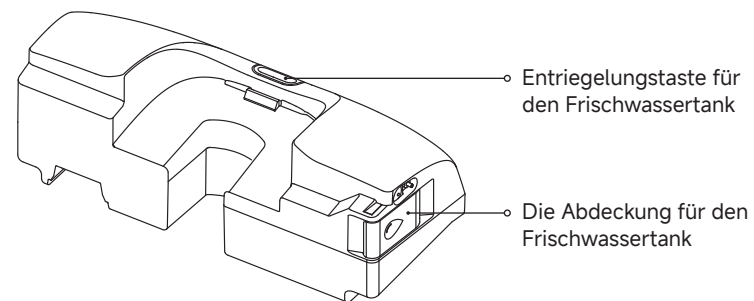
Saugen



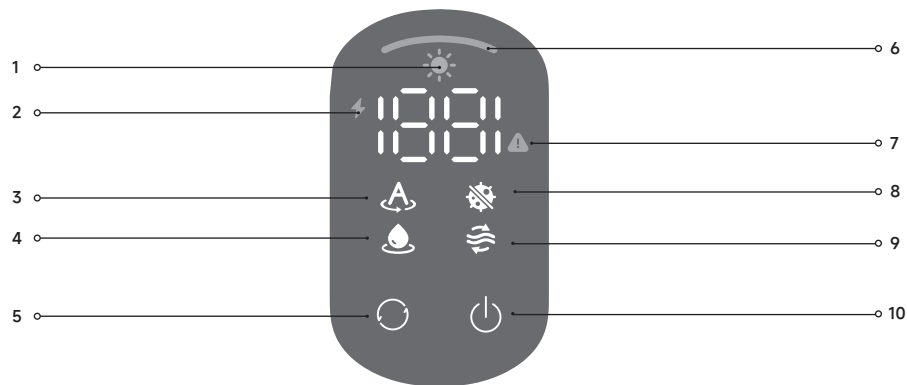
Ladestation



Reinwassertank



**Bildschirm**

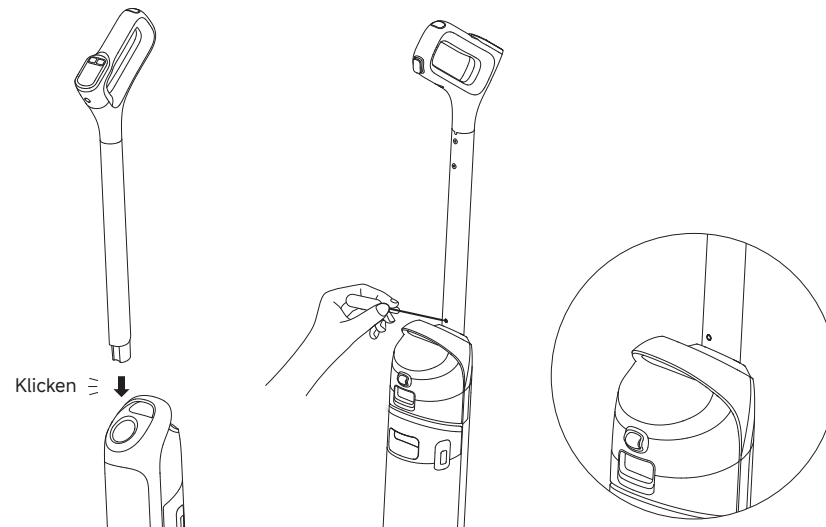


- |  |   |
|--|---|
| <p>1 Trocknungsmodus</p> <p>2 Niedrige Akkustands-/Ladeanzeige</p> <p>3 Smarter Modus</p> <p>4 Saugmodus</p> <p>5 Modusschalter<br/>Zum Umschalten kurz drücken.</p> | <p>6 Staubkonzentrationsanzeige<br/>Die Farbe des Indikators verändert sich mit dem Schmutzgehalt in Echtzeit.</p> <p>7 Fehlermeldungen</p> <p>8 Ultra-Modus</p> <p>9 Selbstreinigungsmodus</p> <p>10 Netzschalter<br/>Kurz drücken, um die Reinigung zu starten/stoppen.</p> |
|--|---|

Hinweis: Wenn das Gerät nicht ordnungsgemäß funktioniert, wird auf dem Display eine Fehlermeldung angezeigt. Bitte sehen Sie in der Fehlermeldungs- und Lösungstabelle nach, um eine Lösung zu finden.

**Einrichtung**

Fügen Sie das Ende der Griffbaugruppe senkrecht in die Öffnung auf der Oberseite des Geräts ein, wie angegeben, Sie werden ein Einrasten spüren.



Hinweis: Zum Auseinanderbauen führen Sie einen harten Gegenstand wie angegeben in die Öffnung des Geräts ein, um die Kontakte einzudrücken, und ziehen Sie gleichzeitig den Griff nach oben.

**Laden**

1. Stellen Sie die Ladestation gegen eine Wand auf dem Boden und schließen Sie sie an eine Stromquelle an. Laden Sie das Gerät vor dem ersten Gebrauch vollständig auf.
2. Stellen Sie das Gerät auf die Ladestation. Wenn die Zahl auf dem Display 100 erreicht, ist der Akku vollständig geladen.

**Lade-/Akkustandsanzeige**

- Hauchend orange: Akkustand ≤ 20 % (Aufladen)
- Hauchend grün: Akkustand > 20 % (Aufladen)
- Dauerhaft grün: Voll aufgeladen
- Leuchtet orange: Akkustand ≤ 20 %

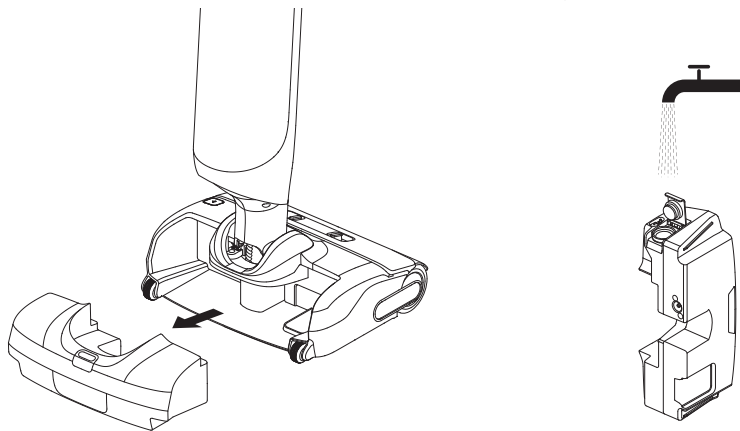
Hinweis:

- Wenn innerhalb von 10 Minuten nach dem vollständigen Aufladen kein Betrieb erfolgt, wechselt der Staubsauger in den Ruhemodus. Bitte starten Sie das Gerät neu, wenn Sie es wieder benutzen möchten.
- Um die Lebensdauer des Akkus zu verlängern, kühlt sich der Akku nach längerem Gerätebetrieb automatisch ab.

# Verwendung

## Befüllen des Frischwasserbehälters

Drücken Sie die Entriegelungstaste für den Frischwasserbehälter, um den Behälter zu entnehmen. Öffnen Sie den Tankdeckel und füllen Sie den Tank mit sauberem Wasser. Setzen Sie den Frischwasserbehälter ein und achten Sie darauf, dass er einrastet.

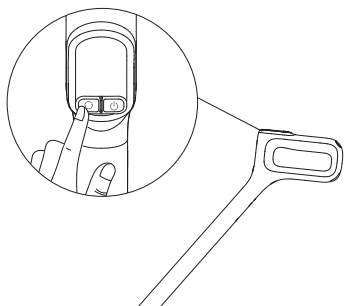


## Reinigungsflüssigkeit einfüllen

1. Entfernen Sie die Versiegelung vor dem Gebrauch.
  2. Dosieren Sie den Fußbodenreiniger mit der Flaschenkappe (\*ca. 10 ml/0,34 fl oz pro Kappe).
  3. Gießen Sie ihn in den Frischwasserbehälter und schütteln Sie den Behälter vorsichtig, um den Reiniger gleichmäßig zu mischen, bevor Sie das Gerät in Betrieb nehmen.
- Hinweis: Keine anderen Flüssigkeiten als die offiziell zugelassenen Reinigungsmittel zugeben. Das Reinigungsmittel ist im offiziellen Online-Shop erhältlich.
- ACHTUNG:** Zur Verringerung der Brand- und Stromschlaggefahr durch Beschädigung interner Komponenten verwenden Sie nur mova AWH10-Reinigungsflüssigkeit, die für die Verwendung mit dem Gerät bestimmt ist.


## Wechseln des Modus

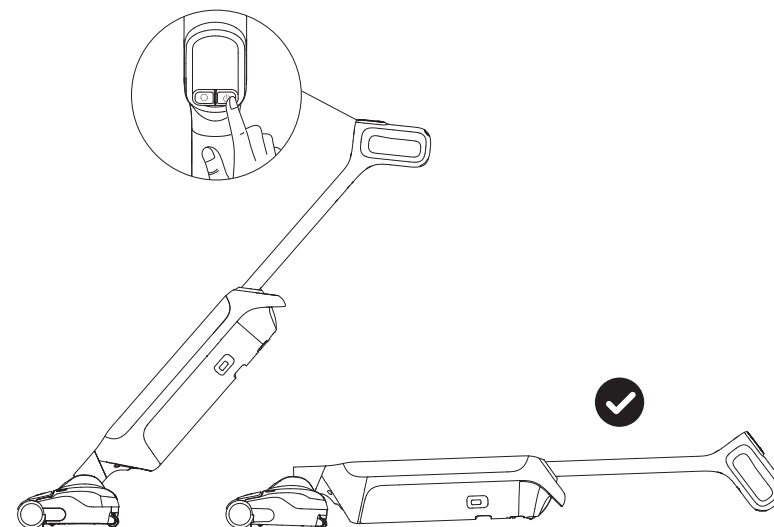
Drücken Sie den Modusschalter , um den Modus nach Ihren Wünschen zu wechseln.



# Verwendung

## Reinigung wird gestartet

Treten Sie vorsichtig auf die Bürstenabdeckung und kippen Sie das Gerät nach hinten. Drücken Sie den Ein-/Ausschalter , um den Betrieb zu starten/stoppen. Wenn sich das Gerät während der Arbeit in aufrechter Position befindet, wird die aktuelle Aufgabe unterbrochen. Das Gerät ist so konstruiert, dass es in einem 180-Grad-Winkel flach liegt, sodass es auch unter flachen Möbeln gut erreicht und dort reinigen kann.



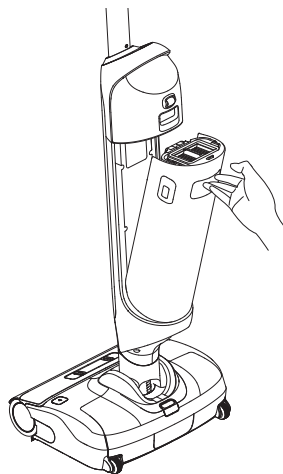
Hinweis:

- Verwenden Sie es nicht, um schäumende Flüssigkeiten zu saugen.
- Vergewissern Sie sich, dass sich das Gerät in aufrechter Position befindet, bevor Sie den Strom ausschalten, während das Gerät flach liegt.
- Das Gerät eignet sich zur Reinigung von Böden, Marmor, Fliesen und anderen harten Oberflächen.
- Wenn das Gerät in Betrieb ist, heben Sie es nicht vom Boden ab, bewegen Sie es nicht und kippen Sie es nicht. Anderenfalls kann das Schmutzwasser in den Motor gelangen.

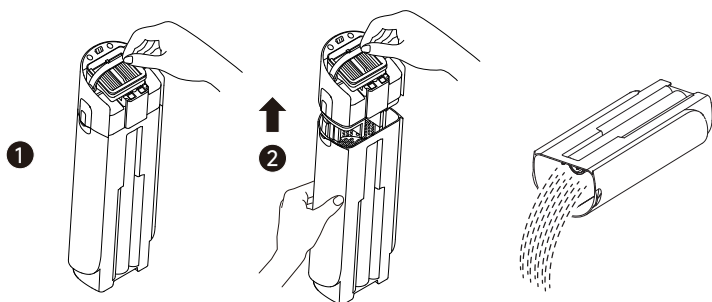
# Verwendung

## Schmutzwasserbehälter wird entleert

1. Drücken Sie die Entriegelungstaste für den Schmutzwasserbehälter, um den Behälter herauszunehmen.

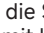



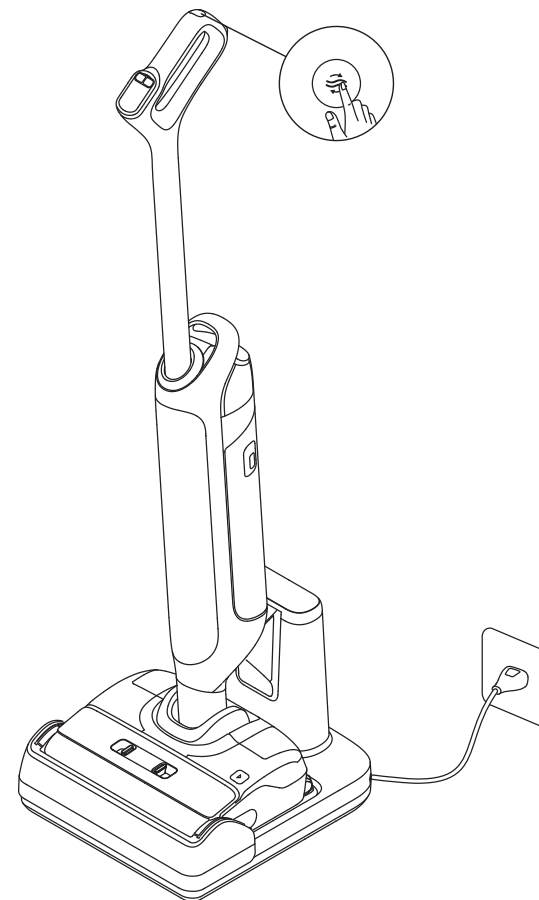
2. Ziehen Sie den Griff der Abdeckung des Schmutzwasserbehälters nach oben, heben Sie die Abdeckung an, und gießen Sie das Schmutzwasser aus.



# Verwendung

## Selbstreinigung mit Heißwasser und Trocknungsmodus

1. Setzen Sie das Gerät wieder auf die Basis. Stellen Sie sicher, dass der Wasserstand im Frischwasserbehälter für die Selbstreinigung ausreichend ist.
2. Drücken Sie kurz die Selbstreinigungstaste  oben am Griff, um die Selbstreinigung zu starten/ zu stoppen. Sie können auf den Modus „Selbstreinigung mit heißem Wasser“ nach den Sprachanweisungen umschalten.
3. Entleeren Sie den Schmutzwasserbehälter, nachdem die Selbstreinigung abgeschlossen und der Trocknungsmodus aktiviert wurde. Drücken Sie die Taste , um den Trocknungsmodus zu verlassen.



### Hinweis:

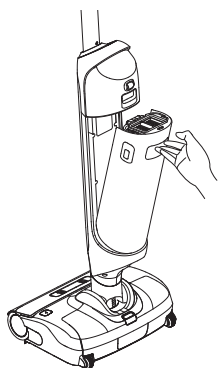
- Berühren Sie während der Selbstreinigung mit heißem Wasser nicht die Bürstenrolle, das heiße Wasser oder das Heizmodul der Ladestation.
- Die Selbstreinigungsfunktion kann nur aktiviert werden, wenn das Gerät aufgeladen wird und der Akkustand mehr als 20 % beträgt. Wenn der Akkustand niedriger ist, laden Sie das Gerät bitte auf 20 % auf, bevor Sie die Selbstreinigungsfunktion aktivieren.

**Tipps:**

- Schalten Sie das Gerät vor der Wartung aus. Berühren Sie nicht den Ein-/Ausschalter.
- Teile müssen bei Bedarf ausgetauscht werden. Bitte verwenden Sie die vom Originalwerk vorgesehenen Teile, um Schäden am Produkt aufgrund von Ungeeignetheit zu vermeiden.
- Wenn das Gerät längere Zeit nicht verwendet wird, laden Sie es vollständig auf, ziehen Sie den Netzstecker ab und lagern Sie das Gerät in einer kühlen Umgebung mit geringer Luftfeuchtigkeit, fern von direkter Sonneneinstrahlung. Um das übermäßige Entladen des Akkus zu vermeiden, laden Sie das Gerät mindestens alle 3 Monate auf.

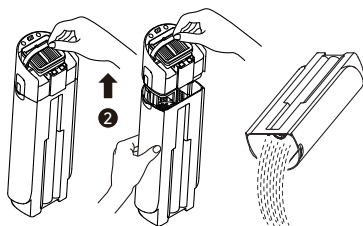
**Reinigung des Schmutzwasserbehälters**

1. Drücken Sie die Entriegelungstaste für den Schmutzwasserbehälter, um den Behälter herauszunehmen.

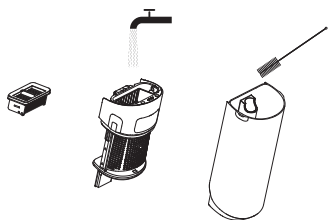


- Filter
- Die Abdeckung für den Schmutzwassertank
- Schmutzfilterkorb
- Schmutzwasserbehälter

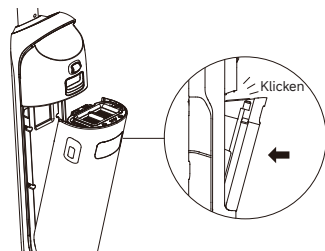
2. Ziehen Sie den Griff der Abdeckung des Schmutzwasserbehälters nach oben, heben Sie die Abdeckung an. Nehmen Sie den Filter aus der Abdeckung.



3. Den Schmutzwassertank und dessen Abdeckung mit sauberem Wasser abspülen. Reinigen Sie die Innenwände des Behälters mit der mitgelieferten Reinigungsbürste.



4. Bringen Sie den Filter und die Abdeckung des Schmutzwasserbehälters wieder an. Setzen Sie anschließend den Schmutzwasserbehälter wieder ein, bis Sie ein Klickgeräusch hören.



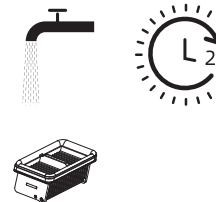
Hinweis: Es wird empfohlen, den Schmutzwasserbehälter rechtzeitig nach jedem Gebrauch sowie vor und nach der Selbstreinigung zu reinigen.

**Reinigung des Filters**

1. Nehmen Sie den Filter heraus und klopfen Sie den auf der Oberfläche befindlichen Staub vorsichtig ab.



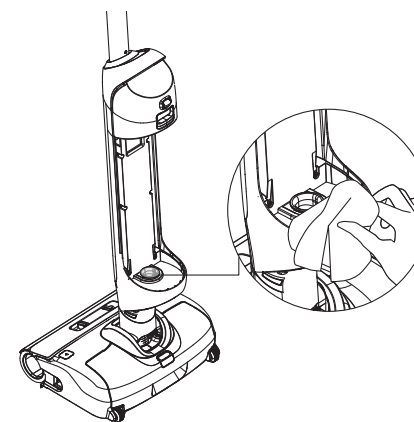
2. Bei Verschmutzung des Filters spülen Sie ihn mit Wasser ab. Vor der Verwendung muss er vollständig trocken sein.



Hinweis: Es wird empfohlen, den Filter alle 3 bis 6 Monate auszutauschen.

**Reinigung des Rohres und des Schmutzsensors**

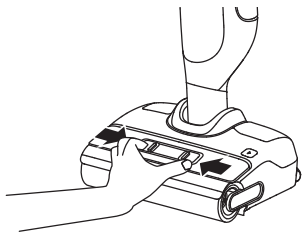
Entnehmen Sie den Schmutzwasserbehälter. Wischen Sie den Schlauch und den Verschmutzungssensor vor dem Gebrauch mit einem feuchten Tuch ab.



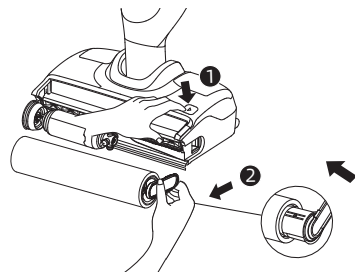
Hinweis: Spülen Sie den Schlauch oder den Verschmutzungssensor nicht aus.

### Reinigung der Bürstenrolle-Aufsätze

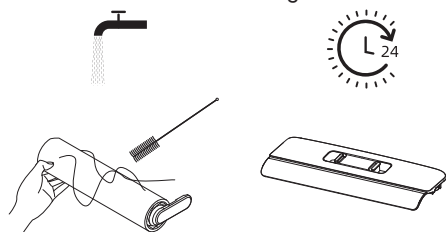
1. Drücken Sie die Entriegelungstaste der Bürstenrollenabdeckung, um die Abdeckung der Bürstenrolle zu entfernen.



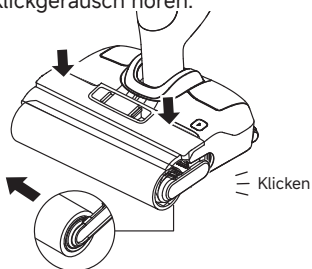
2. Drücken Sie die Entriegelungstaste für die Bürstenrolle und ziehen Sie am Griff, um die Bürstenrolle herauszunehmen. Lösen Sie den Griff von der Bürstenrolle.



3. Entfernen Sie mit der mitgelieferten Reinigungsbürste alle auf der Bürstenrolle befindlichen Haare und Verschmutzungen. Spülen Sie die Bürstenrolle und die Abdeckung mit sauberem Wasser ab und trocknen Sie diese vollständig.



5. Setzen Sie die Bürstenrolle und die Bürstenrollenabdeckung wieder ein, bis Sie ein Klickgeräusch hören.



- Hinweis:
- Spülen Sie die Bürsten-Aufsätze nicht mit Wasser ab.
  - Reinigen Sie die Bürstenwalze nach Bedarf. Es wird empfohlen, die Bürstenrolle alle 3 bis 6 Monate auszutauschen.
  - Vergewissern Sie sich, dass der Schmutzwasserbehälter herausgenommen bzw. entleert ist, bevor Sie das Gerät auf die Seite legen, um die Bürstenrolle zu reinigen.

Wenn ein Fehler auftritt, wird das Gerät nicht mehr funktionieren. Bitte beachten Sie die folgende Tabelle zur Fehlerbehebung. Wenn das Problem weiterhin besteht, wenden Sie sich bitte an den Kundendienst.

Fehler	Mögliche Ursache	Lösung
Das Gerät funktioniert nicht.	Der Akku des Geräts ist leer oder der Akkustand ist niedrig.	Laden Sie den Akku vor dem Gebrauch vollständig auf.
	Das Gerät befindet sich in der aufrechten Position.	Stellen Sie das Gerät nach hinten.
	Der Überhitzungsschutzmodus wurde durch eine Verstopfung aktiviert.	Beseitigen Sie die Verstopfung und warten Sie, bis die Temperatur wieder normal ist.
	Der Schmutzwassertank ist voll.	Den Schmutzwasserbehälter leeren.
Das Gerät wird langsam aufgeladen.	Die Komponenten sind nicht richtig installiert.	Vergewissern Sie sich, dass alle Komponenten richtig eingesetzt sind.
	Die Temperatur des Akkus ist zu niedrig oder zu hoch.	Bitte kontaktieren Sie den Kundenservice.
Die Saugleistung des Gerätes ist niedrig.	Der Filter ist verstopft.	Reinigen Sie den Filter.
	Der Saugeinlass oder -rohr ist durch	Reinigen Sie das Rohr und die Saugöffnung.
Der Motor macht ein seltsames Geräusch.	Es befindet sich zu viel Schmutzwasser im Schmutzwasserbehälter.	Den Schmutzwasserbehälter leeren.
	Die Hauptaugöffnung ist blockiert.	Beseitigen Sie eventuelle Verstopfungen in der Hauptaugöffnung.
Die Akkustandanzeige auf dem Display leuchtet während des Ladevorgangs nicht auf.	Der Ladestecker ist nicht richtig in die Steckdose eingesteckt.	Stellen Sie sicher, dass der Ladestecker richtig eingesteckt ist.
	Das Gerät wird nicht richtig an die Ladestation angeschlossen.	Stellen Sie sicher, dass das Gerät richtig auf der Ladestation platziert ist.

Es kommt kein Wasser aus dem Gerät.	Der Frischwasserbehälter ist nicht ordnungsgemäß installiert, oder der Wasserstand im Frischwasserbehälter ist zu niedrig.	Setzen Sie den Frischwasserbehälter wieder ein oder füllen Sie ihn auf.
	Es dauert 30 Sekunden, um die Bürsterolle zu befeuchten.	Schalten Sie das Gerät ein und überprüfen Sie es nach einiger Zeit erneut.
Wasseraustritt an der Oberseite des Schmutzwasserbehälters.	Eine Kollision oder starkes Ziehen führt dazu, dass Wasser in den Motor gelangt.	Bewegen Sie das Gerät vorsichtig hin und her, wenn es eingeschaltet ist.
	Der Filter ist nach der Reinigung nicht vollständig trocken.	Den Filter vor Gebrauch gründlich abtrocknen.
Selbstreinigung ist fehlgeschlagen.	Ein Gegenstand verklemt sich in der Bürsterolle.	Entfernen Sie die Bürstenrollenabdeckung, um die Bürsterolle zu überprüfen und zu reinigen.
	Das Gerät wird nicht richtig an die Ladestation angeschlossen.	Stellen Sie sicher, dass das Gerät beim Aufladen ist, bevor Sie die Selbstreinigungsfunktion aktivieren.
	Die Selbstreinigung kann nicht gestartet werden, wenn der Batteriestand weniger als 20% beträgt.	Die Selbstreinigung kann nur aktiviert werden, während das Gerät aufgeladen wird und der Akkustand mehr als 20% beträgt.
	Der Schmutzwassertank ist voll.	Den Schmutzwasserbehälter leeren.
	Der Frischwasserbehälter ist nicht richtig installiert, oder der Wasserstand im Frischwasserbehälter ist zu niedrig.	Setzen Sie den Frischwasserbehälter wieder ein oder füllen Sie ihn auf.
Schlechte Trocknungsleistung.	Luftauslass und Lufteinlass der Ladestation könnten vermutlich blockiert werden.	Verstopfung von Luftauslass und Lufteinlass prüfen und beseitigen.

## Fehlermeldungen und Lösungen

Wenn das Gerät nicht ordnungsgemäß funktioniert, wird auf dem Bildschirm eine Fehlermeldung angezeigt. Schauen Sie in der folgenden Tabelle nach, um eine Lösung zu finden.

Fehlercode	Mögliche Ursache	Lösung
E1-E7	Fehler	Zur Fehlerbehebung das Gerät neu starten. Wenn das Problem weiterhin besteht, wenden Sie sich bitte an den Kundendienst.
F1-F3		
H2/H3/H5/H6		

Saugen			
Modell	HMH15A	Nennleistung	300 W
Nennspannung	21,6 V ---	Ladespannung	27 V ---
Kapazität des Reinwassertank	800 ml	Kapazität des Schmutzwassertank	700 ml
Ladezeit	Ca. 4 Stunden		
Ladestation			
Modell	HCBX	Nennleistungsaufnahme*	650 W
Nenneingang	220-240 V ~ 50-60 Hz	Nennausgang	27 V ---, 1,6 A
Schutz gegen schädliches Wassereindringen	IPX1		

\* Die Nennleistungsaufnahme bezieht sich auf die Leistung, die während eines repräsentativen Zyklus zum Einschalten des Trocknungsmodus gemessen wurde.

## Entsorgung und Entfernung von Batterien

Die eingebaute Lithium-Ionen-Batterie enthält umweltgefährdende Substanzen. Stellen Sie vor der Entsorgung der Batterie sicher, dass die Batterie von qualifizierten Technikern entfernt und in einer geeigneten Recyclinganlage entsorgt wird.

- Der Akku muss vor der Entsorgung aus dem Gerät entfernt werden;
- Das Gerät muss beim Entfernen des Akkus vom Stromnetz getrennt werden;
- Der Akku muss sicher entsorgt werden.

### ACHTUNG:

- Bevor Sie den Akku entfernen, trennen Sie die Stromversorgung und lassen Sie den Akku komplett leer laufen.
- Nicht benötigte Batterien sollten in einer geeigneten Recyclinganlage entsorgt werden.
- Lassen Sie den Akku nicht in einer Umgebung mit extrem hohen Temperaturen, um Explosionsrisiken zu vermeiden.
- Unter missbräuchlicher Verwendung kann Flüssigkeit aus der Batterie ausgestoßen werden. Wenn Sie aus Versehen anfassen, spülen Sie mit Wasser und suchen Sie medizinische Hilfe.

### Anleitung zum Entfernen

1. Zum Abnehmen des Griffs siehe den Abschnitt „Installation“.
2. Entfernen Sie mit einem geeigneten Werkzeug die obere Abdeckung und die Zierabdeckung des Geräts.
3. Nehmen Sie den Schmutzwassertank ab, und entfernen Sie mit einem Schraubendreher alle Befestigungsschrauben am Gehäuse.
4. Entfernen Sie die Befestigungsschrauben an der vorderen Abdeckung des Geräts. Nehmen Sie die Abdeckung ab.
5. Entfernen Sie die Abdeckung der Hauptsteuerplatine, trennen Sie die Verbindungskabel des Akkupacks und nehmen Sie den Akku aus der Akku-Baugruppe heraus.

# Consignes de sécurité importantes

Veillez lire attentivement ce manuel avant l'utilisation et le conserver pour référence ultérieure.

Lors de l'utilisation d'un appareil électrique, des précautions de base doivent toujours être prises, notamment les suivantes :

**LISEZ TOUTES LES INSTRUCTIONS AVEC D'UTILISER (CET APPAREIL).** Ces messages d'avertissement et ces instructions doivent être suivis pour éviter les risques d'électrocution, de départ de feu et d'éventuelles blessures.

**AVERTISSEMENT** — Pour éviter les risques de départ de feu, d'électrocution et de blessures :

## Restrictions d'utilisation

- Cet appareil ne doit pas être utilisé par des enfants âgés de moins de 8 ans et des personnes ayant un handicap physique, sensoriel ou intellectuel, ou une connaissance ou une expérience limitée sans la surveillance d'un parent ou d'un tuteur pour assurer un fonctionnement en toute sécurité et éviter les risques. Les opérations de nettoyage et d'entretien ne doivent pas être effectuées par les enfants sans supervision.
- Le film plastique peut être dangereux. Pour éviter tout risque de suffocation, tenez-le à l'écart des enfants. Les enfants ne doivent pas jouer avec l'appareil.
- N'utilisez l'appareil qu'à l'intérieur, sur des surfaces de sol non recouvertes de tapis, comme le vinyle, le carrelage, le bois scellé, etc. Veillez à ne pas rouler sur des objets non fixés ou sur les bords d'un tapis. Le fait de bloquer la brosse peut entraîner une défaillance prématurée de la courroie.
- N'utilisez que ce qui est décrit dans ce guide de l'utilisateur. N'utilisez que les accessoires recommandés par le fabricant.
- N'exposez pas l'appareil au feu ou à une température excessive. L'exposition au feu ou à une température excessive peut provoquer une explosion.
- N'utilisez pas l'appareil dans des environnements extrêmement chauds ou froids (inférieurs à 5 ° C / 41 ° F ou supérieurs à 40 ° C / 104 ° F). Veillez charger l'appareil à une température supérieure à 5 ° C / 41 ° F et inférieure à 40 ° C / 104 ° F.
- Ne plongez pas l'appareil dans un liquide.
- N'utilisez pas l'appareil pour aspirer des liquides combustibles ou inflammables, tels que l'essence. N'utilisez pas l'appareil dans des zones où des liquides inflammables ou combustibles peuvent être présents.
- Ne mettez aucun objet dans les ouvertures. N'utilisez pas l'appareil lorsqu'une ouverture est bloquée. Ne laissez pas la poussière, des peluches, des cheveux ou d'autres éléments entraver la circulation de l'air.
- Ne ramassez pas de produits toxiques (eau de Javel, ammoniac, déboucheur de canalisations, etc.). Ne ramassez pas d'objets durs ou pointus tels que du verre, des clous, des vis, des pièces de monnaie, etc.
- N'utilisez pas l'appareil dans un espace clos rempli de vapeurs de peinture à l'huile, de diluant pour peinture, de certaines substances antimites, de poussières inflammables ou d'autres vapeurs explosives ou toxiques. Ne ramassez rien qui brûle ou qui fume, comme des cigarettes, des allumettes ou des cendres chaudes.
- N'utilisez pas l'appareil si les filtres ne sont pas en place.
- Tenez les cheveux, les vêtements amples, les doigts et toutes les parties du corps éloignés des ouvertures et des parties mobiles de l'appareil et de ses accessoires.
- Éloignez les câbles de mise à la terre de l'appareil lorsque vous l'utilisez. Un danger peut survenir si l'appareil passe sur un cordon d'alimentation.
- Faites très attention lorsque vous nettoyez les escaliers.

# Consignes de sécurité importantes


## Entretien et stockage

- Empêchez tout démarrage intempestif. Assurez-vous que l'interrupteur est en position OFF avant de prendre ou de transporter l'appareil. Le fait de porter l'appareil avec le doigt sur l'interrupteur ou d'allumer l'appareil peut provoquer un accident.
- Assurez-vous que l'appareil est placé sur une surface horizontale. N'utilisez pas l'appareil dans la même position si l'appareil est équipé d'une brosse à rouleau et que la poignée n'est pas complètement verticale. Ne rangez pas l'appareil dans un endroit où il risque de geler.
- Éteignez et débranchez l'appareil lorsqu'il n'est pas utilisé, avant de le nettoyer, de l'entretenir ou de le réparer, et avant de le connecter ou de le déconnecter avec une brosse en mouvement.
- N'utilisez pas un appareil endommagé ou modifié. Un appareil endommagé ou modifié peut avoir un comportement imprévisible et provoquer un incendie, une explosion ou un risque de blessure.
- Ne modifiez pas ou n'essayez pas de réparer l'appareil sauf comme indiqué dans les instructions d'utilisation et d'entretien.
- N'utilisez pas l'appareil avec un accessoire endommagé (par exemple : station de chargement, cordon d'alimentation, etc.). Si l'appareil ou l'accessoire est tombé, a été endommagé, est resté à l'extérieur, est tombé dans l'eau ou ne fonctionne pas comme il le devrait, n'essayez jamais de le faire fonctionner. Veuillez le faire réparer dans un centre de service agréé.
- Confiez l'entretien à un réparateur qualifié qui n'utilisera que des pièces de rechange identiques. Cela permet de garantir la sécurité de l'appareil.

## Batterie et mise en charge

- Pour recharger la batterie, utilisez uniquement la station de chargement fourni avec l'appareil. Utilisez uniquement la station de chargement HCBX.
- Suivez toutes les instructions de chargement et ne chargez pas l'appareil en dehors de la plage de température spécifiée dans la batterie, car cela augmente le risque de départ de feu.
- La station de chargement est équipée d'une fonction de séchage et ne convient que pour sécher la brosse de cet appareil.
- Éloignez le câble de la station de chargement des surfaces chauffées. Ne manipulez pas la fiche de la station de chargement ou l'appareil avec des mains mouillées. Pour débrancher l'appareil, saisissez la fiche de la station de chargement plutôt que le câble.
- Ne tirez pas ou ne transportez pas la station de chargement par le câble, n'utilisez pas le câble comme une poignée, ne fermez pas la porte sur le câble et ne tirez pas le câble autour de bords ou de coins aigus.
- N'utilisez pas de batterie non rechargeable. Sinon, la batterie lithium-ion peut prendre feu. Cet appareil contient des batteries qui ne peuvent être remplacées que par des techniciens qualifiés ou des personnes du service après-vente.
- La batterie lithium-ion contient des substances dangereuses pour l'environnement. Avant de mettre l'appareil au rebut, veuillez d'abord retirer la batterie, puis la mettre au rebut ou la recycler conformément aux lois et réglementations locales du pays ou de la région où elle est utilisée.
- L'appareil doit être débranché de la source d'alimentation lors du retrait de la batterie. Tenez les batteries hors de portée des enfants. Ne mettez jamais les batteries dans la bouche. En cas d'ingestion, contactez votre médecin ou le centre antipoison local.

## Consignes de sécurité importantes

- Dans de mauvaises conditions, ne touchez jamais la batterie d'où le liquide pourrait être éjecté. En cas de contact accidentel, rincez à l'eau. Si le liquide entre en contact avec les yeux, consultez immédiatement un médecin. Le liquide éjecté de la batterie peut provoquer des irritations ou des brûlures.
- La station de chargement permet de charger la batterie 6 cellules 4 000 mAh. La station de chargement ne doit pas être utilisée pour charger une batterie non rechargeable. Sinon, la batterie lithium-ion peut prendre feu.
- La station de chargement est marquée d'une icône  indiquant « Attention : surface chaude ». Ne touchez pas la brosse à rouleau, l'eau chaude ou le module de chauffage de la station de chargement lors de l'auto-nettoyage à l'eau chaude.
- Le mode d'emploi des appareils équipés d'un système de distribution de liquide précise la quantité et le type de liquide à utiliser (IEC 60335-2-10).

## Symboles



Équipement de classe II



Fusible miniature à temporisation où T 3.15A est le symbole de la caractéristique temps/courant



Pour un usage en intérieur uniquement



Lire le mode d'emploi



Attention : surface chaude.



Informations concernant les DEEE

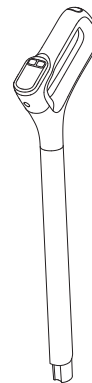
Tous les produits portant ce symbole sont des déchets d'équipements électriques et électroniques (DEEE d'après la directive 2012/19/UE) qui ne doivent pas être mélangés avec les ordures ménagères non triées. Vous devez protéger la santé humaine et l'environnement en déposant votre équipement usagé dans un point de collecte prévu à cet effet pour le recyclage des déchets d'équipements électriques et électroniques, désigné par le gouvernement et les autorités locales. Des procédures d'élimination et de recyclage adéquates permettent d'éviter les effets nocifs sur l'environnement et la santé humaine. Veuillez contacter l'installateur ou les autorités locales pour plus d'informations sur le site, ainsi que les modalités et conditions des points de collecte de ce type.

Nous, Dreame Trading (Tianjin) Co., Ltd., déclarons par la présente que cet équipement est conforme aux directives, normes européennes et amendements applicables. L'intégralité du texte de la déclaration UE de conformité est disponible à l'adresse Internet suivante : [www.mova-tech.com](http://www.mova-tech.com)

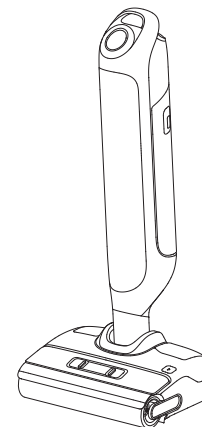
Pour obtenir un manuel électronique détaillé, rendez-vous sur le site <https://www.mova-tech.com/pages/user-manuals-and-faqs>

## Présentation du produit

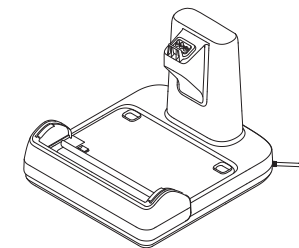
### Liste d'emballage



Poignée



Corps principal



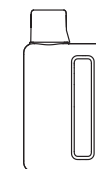
Station de chargement



Filtre de rechange



Brosse à rouleau de rechange



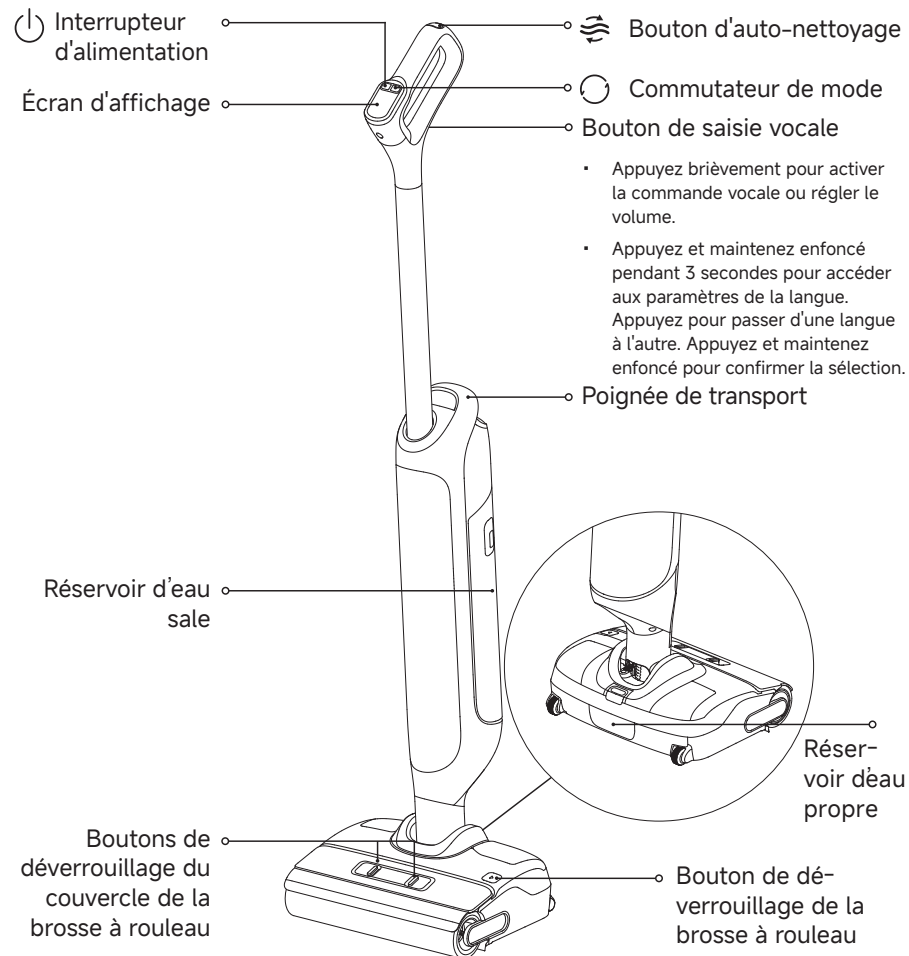
Solution de nettoyage



Brosse de nettoyage

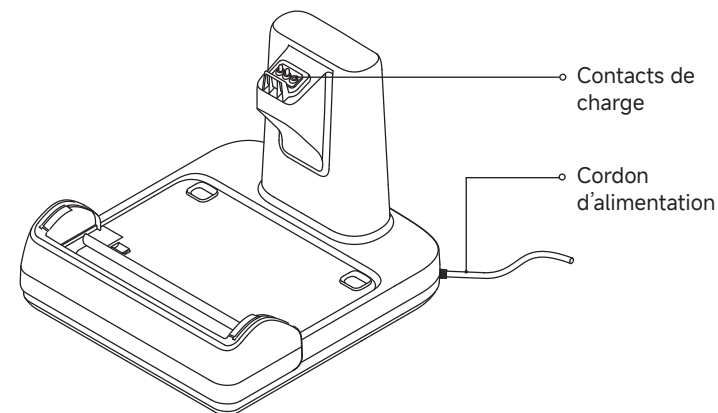
# Présentation du produit

## Aspirateur

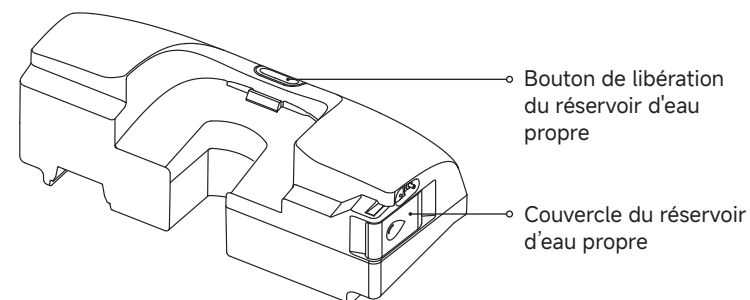


# Présentation du produit

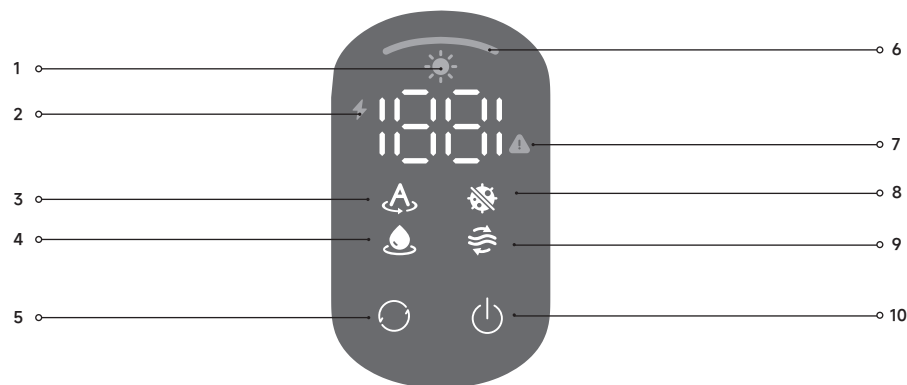
## Station de chargement



## Réservoir d'eau propre



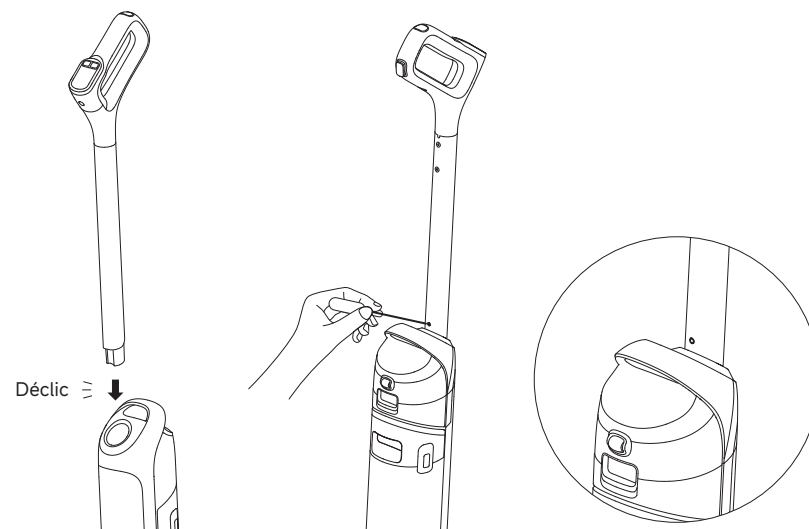
## Écran d'affichage



- |   |  |    |   |
|---|--|----|---|
| 1 | Mode de séchage  | 6  | Indicateur de concentration de poussière<br>La couleur de l'indicateur varie en fonction de la quantité réelle de saleté. |
| 2 | Indicateur de charge/batterie faible                                       | 7  | Messages d'erreur   |
| 3 | Mode intelligent   | 8  | Mode Ultra  |
| 4 | Mode aspiration  | 9  | Mode d'auto-nettoyage   |
| 5 | Commutateur de mode<br>Appuyez brièvement pour passer d'un mode à l'autre. | 10 | Interrupteur d'alimentation<br>Appuyez brièvement pour démarrer/arrêter le nettoyage.                                     |

Remarque : En cas de dysfonctionnement de l'appareil, l'écran d'affichage indique un message d'erreur. Veuillez vous reporter au tableau des Messages d'erreur et des solutions pour déterminer l'origine du dysfonctionnement.

Insérez verticalement l'extrémité de la poignée dans le port sur le dessus de l'appareil comme indiqué jusqu'à ce que vous entendiez un déclic.



Remarque : Pour le démontage, introduisez un objet dur dans le trou de l'appareil comme indiqué pour enfoncer les contacts et tirez en même temps la poignée vers le haut.

## Mise en charge

- Placez la station de chargement contre un mur sur un sol plat et branchez-la à une source d'alimentation. Chargez complètement l'appareil avant la première utilisation.
- Posez l'appareil sur la station de chargement. La batterie est complètement chargée lorsque le nombre sur l'écran d'affichage atteint 100.

### ⚡ Indicateur de charge/batterie déchargée

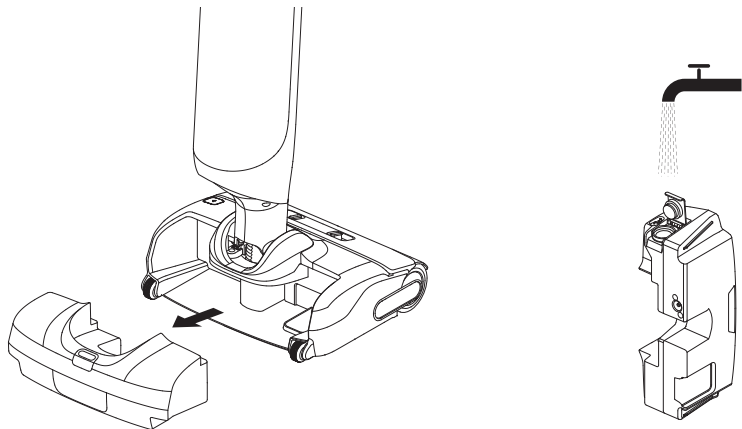
- Clignote lentement en orange : Niveau de batterie  $\leq 20\%$  (charge en cours)
- Clignote lentement en vert : Niveau de batterie  $> 20\%$  (charge en cours)
- Vert fixe : Complètement chargée
- Orange fixe : Niveau de batterie  $\leq 20\%$

Remarque :

- Si l'aspirateur reste inutilisé pendant 10 minutes après la charge complète, il passera en veille. Veuillez redémarrer l'appareil pour l'utiliser.
- La batterie se refroidit automatiquement après une utilisation prolongée afin de prolonger sa durée de vie.

**Remplissage du réservoir d'eau propre**

Appuyez sur le bouton de libération du réservoir d'eau propre pour retirer le réservoir. Ouvrez le couvercle du réservoir et remplissez le réservoir d'eau propre. Installez le réservoir d'eau propre et assurez-vous qu'il est bien enclenché.


**Ajout de liquide de nettoyage**

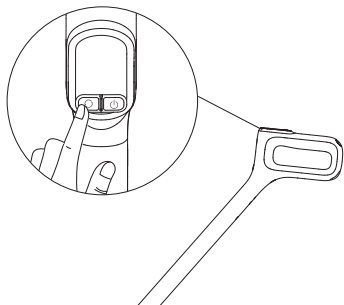
1. Retirez le revêtement adhésif avant l'utilisation.
2. Mesurez la dose de nettoyant pour sols avec le bouchon du flacon (\*environ 10 ml par bouchon).
3. Versez-la dans le réservoir d'eau propre et secouez doucement pour mélanger uniformément avant l'utilisation.

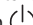
Remarque : N'ajoutez pas de liquide autre que le nettoyant officiellement approuvé. Le nettoyant est disponible sur la boutique en ligne officielle.

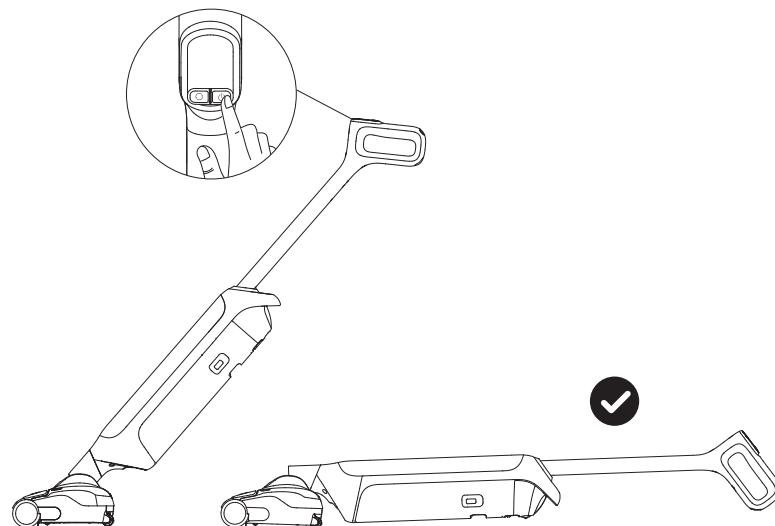
**AVERTISSEMENT :** Pour réduire les risques de départ de feu et d'électrocution dus à la détérioration des composants internes, utilisez uniquement le liquide de nettoyage mova AWH10 destiné à cet appareil.

**Changement de Modes**

Appuyez sur le commutateur de mode  pour changer de mode de fonctionnement selon vos besoins.

**Démarrer le nettoyage**

Appuyez doucement sur le couvercle de la brosse et inclinez l'appareil vers l'arrière. Appuyez sur l'interrupteur d'alimentation  pour démarrer/arrêter le fonctionnement. Si l'appareil est en position verticale pendant son fonctionnement, la tâche en cours sera suspendue. L'appareil est conçu pour être posé à plat à un angle de 180 degrés, ce qui lui permet d'atteindre et de nettoyer sous les meubles bas.

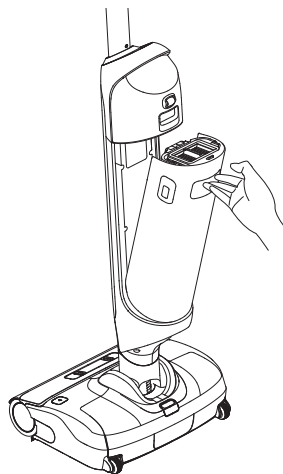


Remarque :

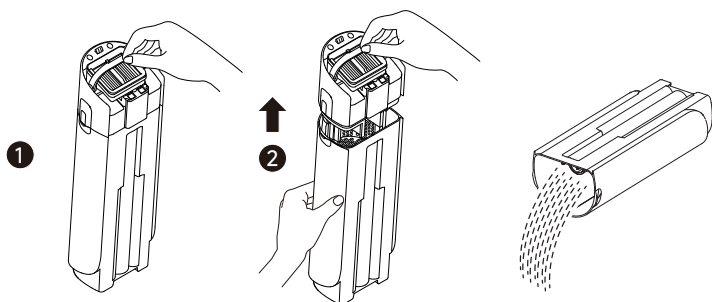
- N'aspirez pas des liquides mousseux.
- Assurez-vous que l'appareil se trouve en position verticale avant de l'éteindre lorsqu'il repose à plat.
- L'appareil est adapté au nettoyage des sols, du marbre, des carreaux et autres surfaces dures.
- Pendant le fonctionnement de l'appareil, évitez de le soulever du sol, de le déplacer ou de l'incliner. L'eau sale risque alors de s'écouler dans le moteur.



**Vidange du réservoir d'eau sale**

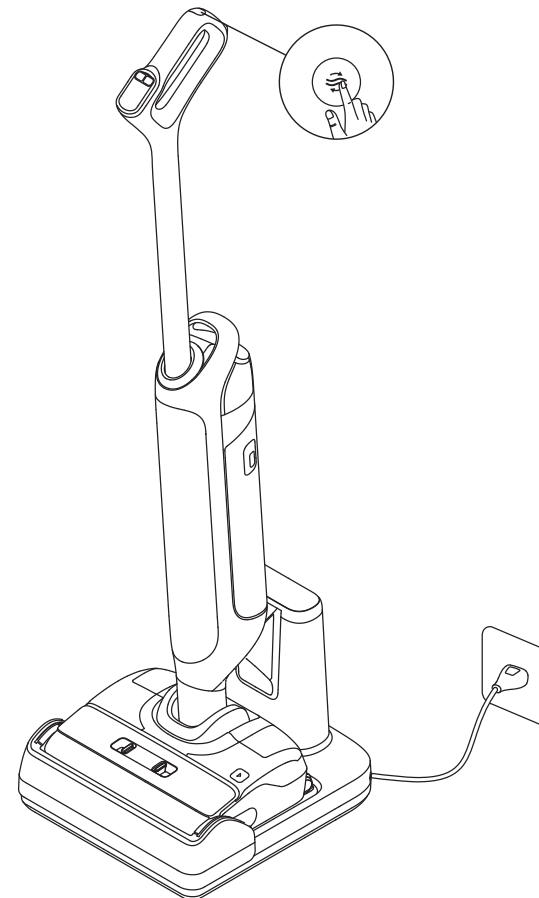
1. Appuyez sur le bouton de libération du réservoir d'eau sale pour retirer le réservoir.



2. Tirez la poignée du couvercle du réservoir d'eau sale, soulevez le couvercle et déversez l'eau sale.

**Auto-nettoyage à l'eau chaude et mode de séchage**

1. Reposez l'appareil sur la base. Assurez-vous qu'il y ait suffisamment d'eau dans le réservoir d'eau propre pour l'auto-nettoyage.
2. Appuyez brièvement sur le bouton d'auto-nettoyage  sur le dessus de la poignée pour démarrer/arrêter l'auto-nettoyage. Passez en mode d'auto-nettoyage à l'eau chaude en suivant les instructions vocales.
3. Veuillez vider le réservoir d'eau sale une fois l'auto-nettoyage terminé et le mode de séchage activé. Appuyez sur le bouton  pour quitter le mode de séchage.

**Remarque :**

- Ne touchez pas la brosse à rouleau, l'eau chaude ou le module de chauffage de la station de chargement lors de l'auto-nettoyage à l'eau chaude.
- La fonction d'auto-nettoyage ne peut être activée que lorsque l'appareil est en charge et que le niveau de la batterie est supérieur à 20 %. Si le niveau de la batterie est inférieur, veuillez charger à 20 % avant de commencer l'auto-nettoyage.

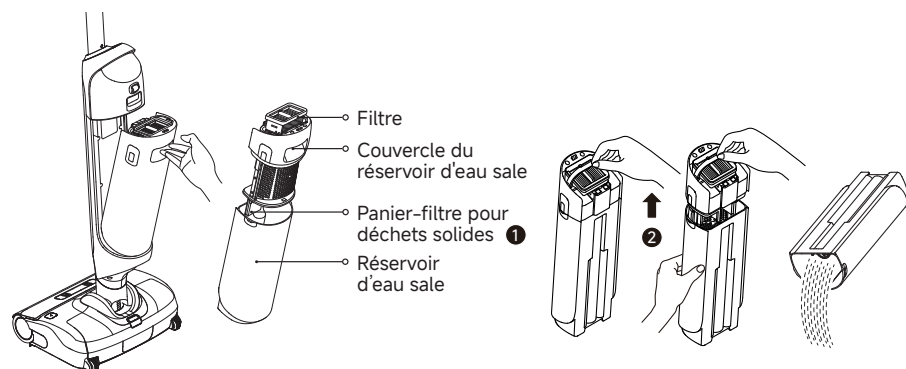
## Conseils :

- Éteignez l'appareil avant l'entretien. Ne touchez pas l'interrupteur d'alimentation.
- Remplacez les pièces si nécessaire. Les pièces doivent être remplacées par celles disponibles auprès du fabricant ou de son agent de service.
- Si l'appareil n'est pas utilisé pendant une longue période, chargez-le complètement, débranchez le cordon d'alimentation, et rangez l'appareil dans un endroit frais, à faible humidité et à l'abri de la lumière du soleil. Pour éviter une décharge excessive de la batterie, rechargez l'appareil au moins une fois tous les 3 mois.

## Nettoyage du réservoir d'eau sale

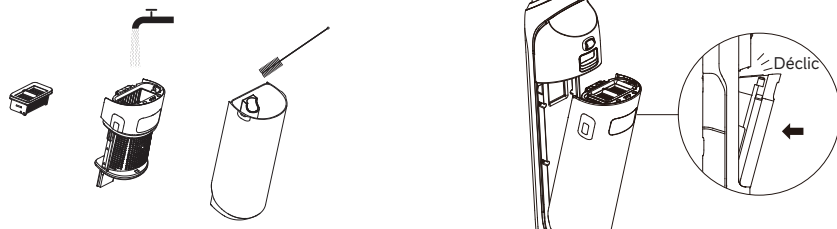
1. Appuyez sur le bouton de libération du réservoir d'eau sale pour retirer le réservoir.

2. Soulevez la poignée du couvercle du réservoir d'eau sale et soulevez le couvercle. Retirez le filtre du couvercle.



3. Rincez le réservoir d'eau sale et son couvercle à l'eau. Utilisez la brosse de nettoyage fournie pour nettoyer les parois intérieures du réservoir.

4. Réinstallez le filtre et le couvercle du réservoir d'eau sale. Réinstallez ensuite le réservoir d'eau sale jusqu'à ce que vous entendiez un déclic.



Remarque : Il est recommandé de nettoyer le réservoir d'eau sale après chaque utilisation, ainsi qu'avant et après l'auto-nettoyage.

## Nettoyage du filtre

1. Retirez le filtre et éliminez délicatement la poussière flottant sur la surface.

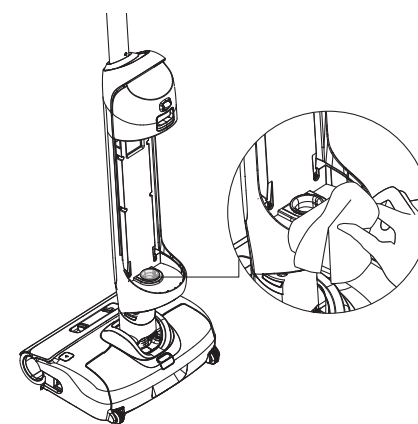
2. Si le filtre est sale et doit être nettoyé, rincez-le à l'eau propre. Le filtre doit être complètement sec avant de l'utiliser.



Remarque : Il est recommandé de remplacer le filtre tous les 3 à 6 mois.

## Nettoyage du tube et du capteur de saleté

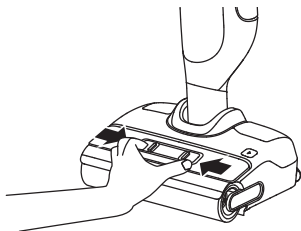
Retirez le réservoir d'eau sale. Essuyez le tube et le capteur de saleté avec un chiffon humide avant utilisation.



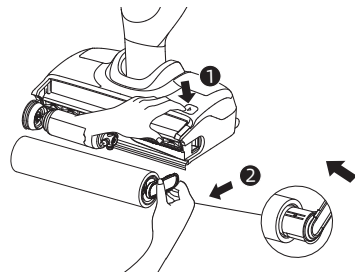
Remarque : Ne rincez pas le tube ou le capteur de saleté.

## Nettoyage de la brosse

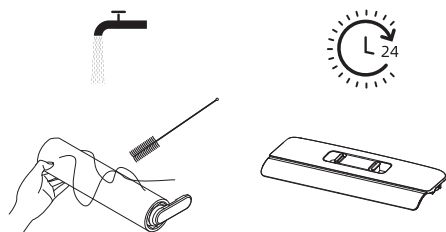
1. Appuyez sur les boutons de déverrouillage du couvercle de la brosse à rouleau pour le retirer.



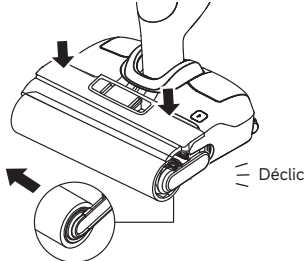
2. Appuyez sur le bouton de déverrouillage de la brosse à rouleau et tirez sur la poignée pour retirer la brosse à rouleau. Séparez la poignée de la brosse à rouleau.



3. Débarrassez la brosse à rouleau des cheveux et des débris emmêlés à l'aide de la brosse de nettoyage prévue à cet effet. Rincez la brosse à rouleau et le couvercle à l'eau claire et séchez-les complètement.



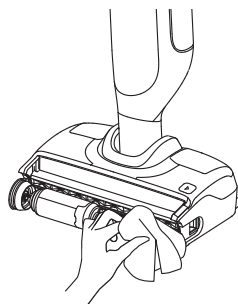
5. Réinstallez la brosse à rouleau et le couvercle de la brosse à rouleau jusqu'à ce que vous entendiez un déclic.



Remarque :

- Ne rincez pas la brosse à l'eau.
- Nettoyez-la si nécessaire. Il est recommandé de remplacer la brosse à rouleau tous les 3 à 6 mois.
- Assurez-vous que le réservoir d'eau sale est retiré ou vide avant de poser l'appareil sur le côté pour nettoyer la brosse à rouleau.

4. Essuyez l'orifice d'aspiration avec un chiffon sec ou humide.



## Dépannage

En cas d'erreur, l'appareil s'arrête de fonctionner. Veuillez vous référer au tableau suivant pour le dépannage. Si le problème persiste, contactez le service à la clientèle.

Erreur	Cause possible	Solution
L'appareil ne fonctionne pas.	L'appareil n'a plus de batterie ou son niveau de batterie est faible.	Chargez complètement sa batterie avant de l'utiliser.
	L'appareil est en position verticale.	Inclinez l'appareil vers l'arrière.
	Mode de protection contre la surchauffe activé par blocage.	Éliminez l'obstruction et attendez que la température redevienne normale.
	Le réservoir d'eau sale est plein.	Videz le réservoir d'eau sale.
L'appareil se charge lentement.	Les pièces ne sont pas correctement installées.	Assurez-vous que toutes les pièces sont correctement en place.
	La température de la batterie est trop basse ou trop élevée.	Attendez que la température de la batterie redevienne normale.
La puissance d'aspiration de l'appareil est faible.	Le filtre est bouché.	Nettoyez le filtre.
	L'ouverture d'aspiration ou le tube est bloqué par un corps étranger.	Nettoyez le tube et l'ouverture d'aspiration.
Le robot fait un bruit étrange.	Il y a trop d'eau sale dans le réservoir d'eau sale.	Videz le réservoir d'eau sale.
	L'ouverture d'aspiration est bloquée.	Éliminez tout blocage dans l'ouverture d'aspiration.
L'indicateur de niveau de charge de la batterie sur l'écran d'affichage ne s'allume pas pendant la charge.	La fiche de la station de chargement n'est pas insérée correctement dans la prise électrique.	Assurez-vous que la fiche de la station de chargement est bien insérée.
	L'appareil n'est pas placé correctement sur la station de chargement.	Assurez-vous que l'appareil est placé correctement sur la station de chargement.

Aucune eau ne sort de l'appareil.	Le réservoir d'eau propre n'est pas correctement installé ou le niveau d'eau dans le réservoir d'eau propre est insuffisant.	Réinstallez ou remplissez le réservoir d'eau propre.
	Il faut 30 secondes pour humidifier la brosse à rouleau.	Allumez l'appareil et vérifiez à nouveau après un certain temps.
Fuite d'eau par le port.	Un choc ou une traction brutale provoque l'entrée d'eau dans le moteur.	Déplacez doucement l'appareil d'avant en arrière lorsque vous le mettez en marche.
	Le filtre n'est pas complètement sec après avoir été nettoyé.	Séchez complètement le filtre avant de l'utiliser.
Échec de l'auto-nettoyage.	La brosse à rouleau est peut-être bloquée par de gros débris.	Retirez le couvercle de la brosse à rouleau pour vérifier et nettoyer la brosse à rouleau.
	L'appareil n'est pas placé correctement sur la station de chargement.	Assurez-vous que l'appareil est chargé avant d'activer la fonction d'auto-nettoyage.
	L'auto-nettoyage ne peut pas être activé si le niveau de la batterie est inférieur à 20 %.	L'auto-nettoyage ne peut être activé que lorsque l'appareil est en charge et que le niveau de la batterie est supérieur à 20 %.
	Le réservoir d'eau sale est plein.	Videz le réservoir d'eau sale.
	Le réservoir d'eau propre n'est pas installé ou le niveau d'eau dans le réservoir d'eau propre est insuffisant.	Réinstallez ou remplissez le réservoir d'eau propre.
Mauvaise performance de séchage.	La sortie et l'entrée d'air de la station de chargement sont peut-être bloquées.	Vérifiez et éliminez l'obstruction de la sortie et de l'entrée d'air.

## Messages d'erreur et Solutions

Si l'appareil ne fonctionne pas correctement, l'écran affichera un message d'erreur. Veuillez vous référer au tableau ci-dessous pour corriger le problème.

Code d'erreur	Cause possible	Solution
E1-E7	Erreur	Redémarrez l'appareil pour le dépannage. Si le problème persiste, contactez le service à la clientèle.
F1-F3		
H2/H3/H5/H6		

Aspirateur			
Modèle	HMH15A	Puissance nominale	300 W
Tension nominale	21,6 V ---	Tension de charge	27 V ---
Capacité du réservoir d'eau propre	800 mL	Capacité du réservoir d'eau sale	700 mL
Temps de charge	Environ 4 h		
Station de chargement			
Modèle	HCBX	Entrée de puissance nominale*	650 W
Entrée nominale	220-240 V ~ 50-60 Hz	Sortie nominale	27 V --- 1,6 A
Protection contre les risques d'infiltration d'eau		IPX1	

\* La puissance d'entrée nominale correspond à la puissance mesurée pendant un cycle normal d'entrée en mode de séchage.

## Retrait et élimination de la batterie

La batterie lithium-ion intégrée contient des substances dangereuses pour l'environnement. Avant d'éliminer la batterie, assurez-vous qu'elle est enlevée par un technicien qualifié et déposée dans un centre de recyclage approprié.

- La batterie doit être retirée de l'appareil avant d'être mise au rebut.
- L'appareil doit être débranché de la source d'alimentation lors du retrait de la batterie.
- La batterie doit être mise au rebut en toute sécurité.

### ATTENTION :

- Avant d'enlever la batterie, débranchez l'alimentation et déchargez au maximum la batterie.
- Les batteries usagées doivent être déposées dans un centre de collecte approprié.
- N'exposez pas la batterie dans un environnement à haute température pour éviter les risques d'explosion.
- En cas d'usage abusif, du liquide peut s'échapper de la batterie. En cas de contact, rincez à l'eau et consultez un médecin.

### Guide de retrait

1. Retirez la poignée en vous référant à la section Installation.
2. Utilisez un outil approprié pour retirer les couvercles décoratifs de la partie supérieure et du boîtier de l'appareil.
3. Retirez le réservoir des eaux usées et, à l'aide d'un tournevis, retirez toutes les vis de fixation du boîtier.
4. Retirez les vis de fixation du couvercle avant de l'appareil. Retirez le couvercle.
5. Retirez le couvercle de la carte de contrôle principale, débranchez les câbles de connexion de la batterie et retirez la batterie de l'assemblage de la batterie.

# Istruzioni Importanti per la Sicurezza

Leggere attentamente questo manuale prima dell'uso e conservarlo per riferimento futuro. Quando si utilizza un apparecchio elettrico, è necessario seguire sempre le precauzioni di base, comprese le seguenti:

**LEGGERE TUTTE LE ISTRUZIONI PRIMA DI UTILIZZARE (QUESTO APPARECCHIO).** La mancata osservanza delle avvertenze e delle istruzioni può provocare scosse elettriche, incendi e/o lesioni gravi.

**AVVERTENZA** - Per ridurre il rischio di incendi, scosse elettriche o lesioni:

## Restrizioni di Utilizzo

- Questo apparecchio non deve essere utilizzato da bambini di età inferiore a 8 anni o da persone con deficit fisici, sensoriali, intellettuali o con esperienza o conoscenze limitate senza la supervisione di un genitore o di un tutore per garantire un funzionamento sicuro ed evitare qualsiasi rischio. La pulizia e la manutenzione non devono essere eseguite da bambini senza supervisione.
- La pellicola di plastica può essere pericolosa. Per evitare il pericolo di soffocamento, tenerla lontana dalla portata dei bambini. I bambini non devono giocare con l'apparecchio.
- Utilizzare solo in ambienti interni, su superfici senza moquette come vinile, piastrelle, legno sigillato, ecc. Fare attenzione a non passare su oggetti sparsi o sui bordi dei tappeti. Il blocco della spazzola può causare la rottura prematura della cinghia.
- Utilizzare solo come descritto in questa guida per l'utente. Utilizzare solo gli accessori consigliati dal produttore.
- Non esporre l'apparecchio a fiamme o a temperature eccessive. L'esposizione al fuoco o ad una temperatura eccessiva può provocare un'esplosione.
- Non usare in ambienti estremamente caldi o freddi (sotto 5°C /41° F o sopra 40° C/104° F). Si prega di ricaricare l'apparecchio a temperature superiori a 5° C/41° F e inferiori a 40° C/104° F.
- Non immergere l'apparecchio in liquidi.
- Non utilizzare per raccogliere liquidi infiammabili o combustibili, come la benzina. Non usare in aree dove possono essere presenti liquidi infiammabili o combustibili.
- Non inserire alcun oggetto nelle aperture. Non utilizzare l'apparecchio quando una qualsiasi apertura è ostruita. Tenere lontano da polvere, lanugine, capelli e tutto ciò che può ostacolare il flusso d'aria.
- Non raccogliere materiale tossico (candeggina, ammoniaca, detersivi per scarichi, ecc.). Non raccogliere oggetti duri o taglienti come vetro, chiodi, viti, monete, ecc.
- Non utilizzare l'apparecchio in uno spazio chiuso pieno di vapori emessi da vernici a base di olio, diluenti per vernici, alcune sostanze antitarre, polvere infiammabile o altri vapori esplosivi o tossici. Non raccogliere nulla che stia bruciando o fumando, come sigarette, fiammiferi o cenere calda.
- Non utilizzarlo senza filtri in posizione.
- Tenere i capelli, i vestiti larghi, le dita e tutte le parti del corpo lontani dalle aperture e dalle parti in movimento dell'apparecchio e dei suoi accessori.
- Durante l'utilizzo, tenere i cavi di messa a terra lontani dall'apparecchio durante l'uso. Un pericolo potrebbe verificarsi se l'apparecchio passa su un cavo di alimentazione.
- Prestare particolare attenzione durante la pulizia delle scale.

# Istruzioni Importanti per la Sicurezza


## Manutenzione e Conservazione

- Prevenire l'avviamento involontario. Assicurarsi che l'interruttore sia in posizione OFF prima di sollevare o trasportare l'apparecchio. Trasportare l'apparecchio con il dito sull'interruttore o accenderlo può causare incidenti.
- Assicurarsi che l'apparecchio sia posizionato su una superficie orizzontale. Non utilizzare l'apparecchio nella stessa posizione se è dotato di spazzola rotante e il manico non è completamente in posizione verticale. Non riporre l'elettrodomestico in un luogo in cui potrebbe gelare.
- Spegnerlo e scollegare l'apparecchio quando non è in uso, prima di pulirlo, manuttenzionarlo o ripararlo, e prima di collegarlo o scollegarlo con una spazzola mobile.
- Non utilizzare un apparecchio danneggiato o modificato. Un apparecchio danneggiato o modificato può presentare un comportamento imprevedibile con conseguente rischio di incendio, esplosione o lesioni.
- Non modificare o tentare di riparare l'apparecchio salvo quanto indicato nelle istruzioni per l'uso e la cura.
- Non utilizzare l'apparecchio con un accessorio danneggiato (ad es. base di ricarica, cavo di alimentazione, ecc.). Se l'apparecchio o l'accessorio è caduto, è stato danneggiato, è stato lasciato all'aperto, è caduto in acqua o non funziona come dovrebbe, non tentare mai di metterlo in funzione. Si prega di farlo riparare presso un centro di assistenza autorizzato.
- Far eseguire la manutenzione da un tecnico qualificato utilizzando solo parti di ricambio identiche. Ciò garantirà il mantenimento della sicurezza del prodotto.

## Batteria e Ricarica

- Per ricaricare l'apparecchio, utilizzare esclusivamente la base di ricarica fornita con l'apparecchio. Utilizzare solo con la base di ricarica HCBX.
- Seguire tutte le istruzioni per la ricarica e non ricaricare l'apparecchio al di fuori dell'intervallo di temperatura specificato nella batteria, poiché ciò aumenta il rischio di incendio.
- La base di ricarica è dotata di funzione di asciugatura ed è adatta solo per asciugare la spazzola di questo apparecchio.
- Tenere il cavo della base di ricarica lontano da superfici riscaldate. Non maneggiare la spina della base di ricarica o l'apparecchio con le mani bagnate. Per staccare la spina, afferrare la spina della base di ricarica e non il cavo.
- Non tirare o trasportare la base di ricarica tirando il cavo, usare il cavo come maniglia, chiudere la porta sul cavo o tirare il cavo attorno a spigoli vivi o angoli.
- Non utilizzare batterie non ricaricabili. In caso contrario, la batteria agli ioni di litio potrebbe prendere fuoco. Questo prodotto contiene batterie che possono essere sostituite solo da tecnici qualificati o dal servizio post-vendita.
- La batteria agli ioni di litio contiene sostanze pericolose per l'ambiente. Prima di smaltire l'apparecchio, rimuovere prima il pacco batteria, quindi smaltirlo o riciclarlo in conformità con le leggi e le normative locali del paese o della regione in cui è usato.
- L'apparecchio deve essere scollegato dalla rete di alimentazione quando si rimuove la batteria. Tenere le batterie fuori dalla portata dei bambini. Non mettere mai le batterie in bocca. In caso di ingestione, contattare il medico o il centro antiveleni locale.

## Istruzioni Importanti per la Sicurezza

- In caso di condizioni difficili, non toccare mai la batteria da cui potrebbe fuoriuscire del liquido. In caso di contatto accidentale, sciacquare con acqua. Se il liquido entra in contatto con gli occhi, rivolgersi immediatamente a un medico. Il liquido espulso dalla batteria può causare irritazioni o ustioni.
- La base di ricarica è in grado di caricare il pacco batteria a 6 celle da 4000 mAh. Questa base di ricarica non deve essere utilizzata per caricare batterie non ricaricabili. In caso contrario, la batteria agli ioni di litio potrebbe prendere fuoco.
- La base di ricarica è contrassegnata da una icona  che indica "Attenzione: Superficie calda". Non toccare la spazzola a rullo, l'acqua calda o il modulo di riscaldamento della base di ricarica durante l'autopulizia con acqua calda.
- Le istruzioni per gli apparecchi con sistema di erogazione di liquidi specificano la quantità e il tipo di liquido da utilizzare (IEC 60335-2-10).

## Simboli



Apparecchiature di classe II



Fusibile in miniatura temporizzato dove T 3.15A è il simbolo della caratteristica tempo/corrente



Solo per uso interno



Leggi il manuale dell'operatore



Attenzione: superficie calda



Informazioni RAEE

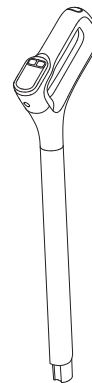
Tutti i prodotti contrassegnati da questo simbolo sono rifiuti di apparecchiature elettriche ed elettroniche (RAEE come da direttiva 2012/19/UE) che non devono essere mescolati con i rifiuti domestici indifferenziati. Per proteggere la salute umana e l'ambiente, invece, è necessario consegnare i rifiuti di apparecchiature a un punto di raccolta designato per il riciclaggio dei rifiuti di apparecchiature elettriche ed elettroniche, nominato dal governo o dalle autorità locali. Lo smaltimento e il riciclo corretti aiutano a prevenire potenziali conseguenze negative per l'ambiente e la salute umana. Per ulteriori informazioni sull'ubicazione e sui termini e le condizioni di tali punti di raccolta, contattare l'installatore o le autorità locali.

Con la presente, Dreame Trading (Tianjin) Co., Ltd., dichiara che questo apparecchio è conforme alle direttive applicabili e alle norme europee, nonché ai relativi emendamenti. Il testo completo della dichiarazione di conformità dell'UE è disponibile al seguente indirizzo internet: [www.mova-tech.com](http://www.mova-tech.com)

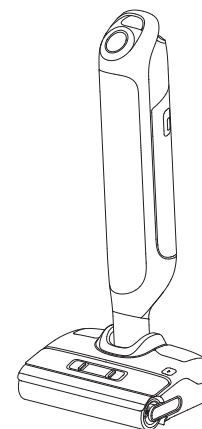
Per un manuale elettronico dettagliato, visitare il sito <https://www.mova-tech.com/pages/user-manuals-and-faqs>

## Panoramica del prodotto

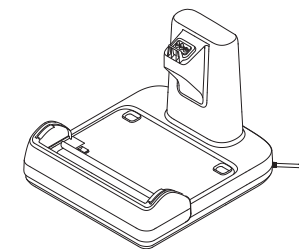
### Lista Imballaggio



Maniglia



Dispositivo  
Principale



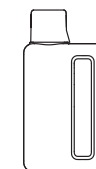
Base di Ricarica



Filtro di Ricambio



Spazzola a  
Rullo di Ricambio

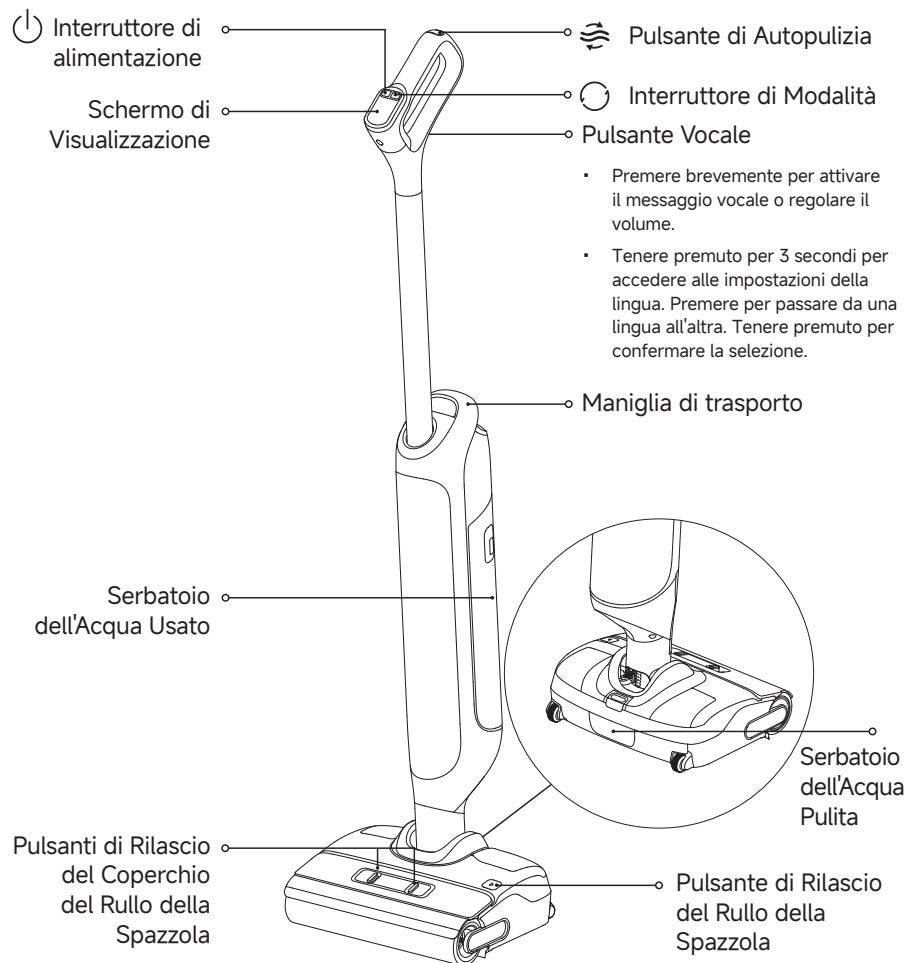


Soluzione per la  
pulizia

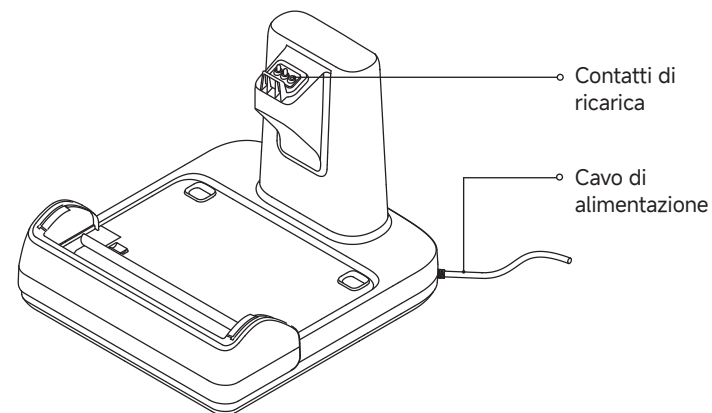


Spazzola per la  
Pulizia

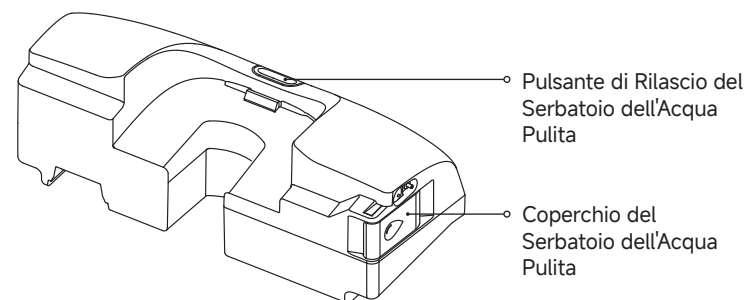
### Aspirazione



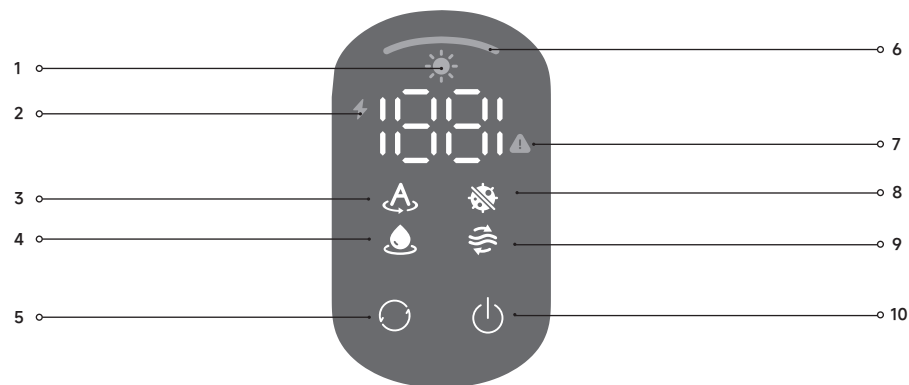
### Base di Ricarica



### Serbatoio dell'Acqua Pulita



## Schermo di Visualizzazione

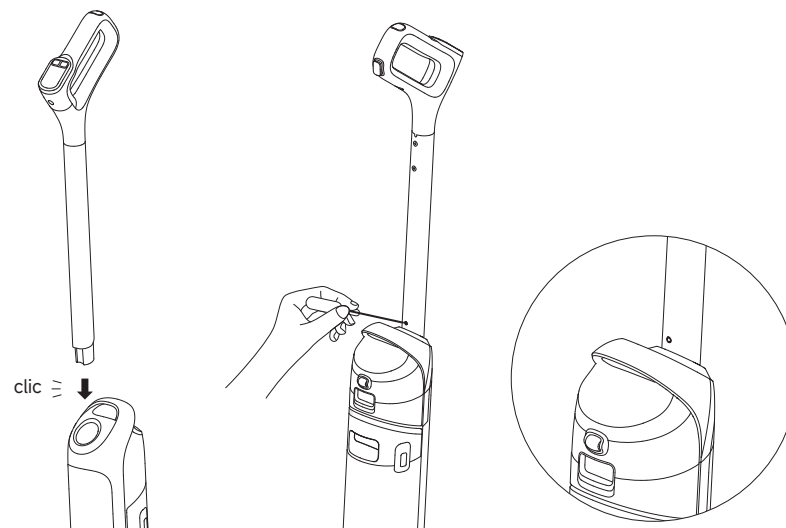


- |   |   |    |   |
|---|---|----|---|
| 1 | Modalità di Asciugatura                                       | 6  | Indicatore di Concentrazione di Polvere<br>Il colore dell'indicatore cambia in base alla quantità di sporco in tempo reale. |
| 2 | Indicatore di Batteria Basso/Ricarica                         | 7  | Messaggi di Errore  |
| 3 | Modalità intelligente   | 8  | Modalità Ultra  |
| 4 | Modalità di Aspirazione                                       | 9  | Modalità di Auto-pulizia  |
| 5 | Interruttore di Modalità<br>Premere brevemente per commutare. | 10 | Interruttore di alimentazione<br>Premere per avviare la pulizia localizzata.  |

Nota: Se l'apparecchio non funziona correttamente, lo schermo visualizza un messaggio di errore. Per trovare la soluzione, consultare la tabella dei messaggi di errore e delle soluzioni.

# Installazione

Inserire il fondo della maniglia verticalmente nella porta sulla parte superiore dell'aspirapolvere secondo la direzione mostrata nella figura e l'installazione è riuscita quando si sente un clic.



Nota: Per lo smontaggio, inserire un oggetto duro nel foro dell'apparecchio come indicato per premere sui contatti e tirare contemporaneamente l'impugnatura verso l'alto.

## In ricarica

1. Posizionare la base di ricarica contro una parete in piano e collegarla a una fonte di alimentazione. Caricare completamente l'apparecchio prima del primo utilizzo.
2. Posizionare l'apparecchio sulla base di ricarica. La batteria è completamente carica quando il numero visualizzato sul display raggiunge il valore di 100.

### ⚡ Indicatore di carica/Batteria scarica

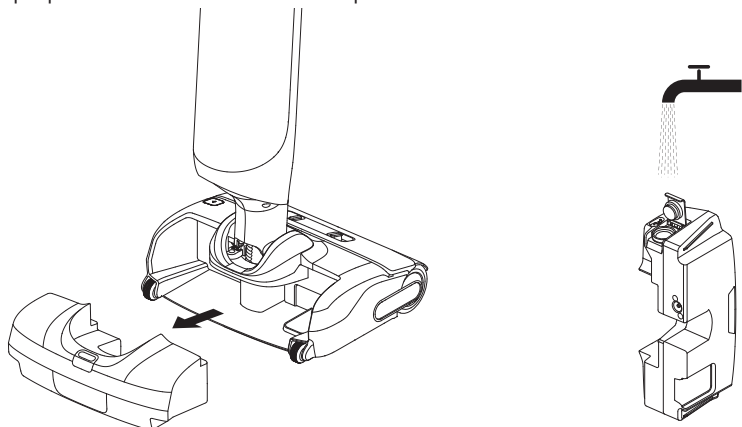
- Arancione intermittente: Livello della batteria  $\leq 20\%$  (in carica)
- Verde intermittente: Livello della batteria  $> 20\%$  (in carica)
- Verde fisso: Completamente carica
- Arancione fisso: Livello della batteria  $\leq 20\%$

Nota:

- Se non si verificano operazioni entro 10 minuti dalla ricarica completa, l'aspirapolvere entra in modalità di riposo. Riavviare l'apparecchio se è necessario utilizzarlo.
- Per prolungare la durata della batteria, questa si raffredda automaticamente dopo un uso prolungato dell'apparecchio.

**Riempimento del serbatoio dell'acqua pulita**

Premere il pulsante di rilascio del serbatoio dell'acqua pulita per estrarre il serbatoio. Aprire il coperchio del serbatoio e riempire il serbatoio con acqua pulita. Installare il serbatoio dell'acqua pulita e assicurarsi che scatti in posizione.


**Aggiunta del detergente**

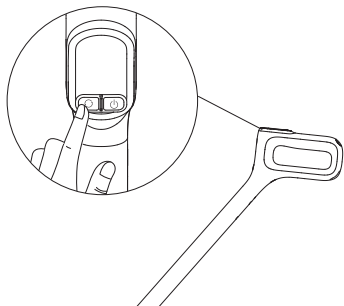
1. Rimuovere il sigillo prima dell'uso.
2. Misurare il detergente per pavimenti con il tappo della bottiglia (\*circa 10 ml/0,34 fl oz per tappo).
3. Versarlo nel serbatoio dell'acqua pulita e agitare delicatamente per miscelarlo uniformemente prima dell'uso.

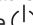
Nota: Non aggiungere altri liquidi oltre al detergente ufficialmente approvato. Il detergente può essere disponibile presso il negozio online ufficiale.

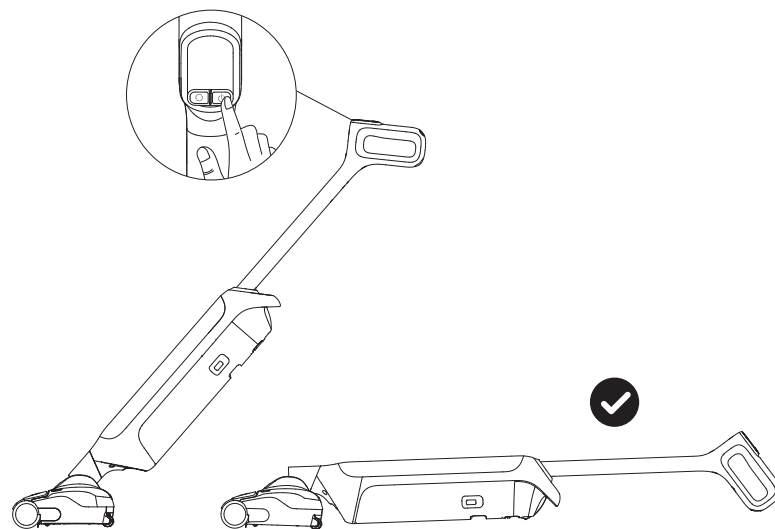
**AVVERTENZA:** Per ridurre il rischio di incendio e di scosse elettriche dovute al danneggiamento dei componenti interni, utilizzare esclusivamente mova AWH10, il liquido detergente previsto per l'uso dell'apparecchio.

**Cambiare le Modalità**

Premere il commutatore di modalità  per cambiare modalità in base alle proprie esigenze.

**Avvio della pulizia**

Salire delicatamente sul coperchio della spazzola e reclinare l'apparecchio all'indietro. Premere l'interruttore di alimentazione  per avviare/arrestare il funzionamento. Se l'apparecchio è in posizione verticale durante il funzionamento, il compito corrente sarà sospeso. L'apparecchio è progettato per essere posizionato in piano con un angolo di 180 gradi, in modo da poter raggiungere e pulire sotto i mobili bassi.

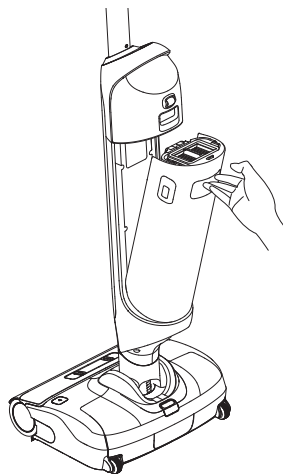


Nota:

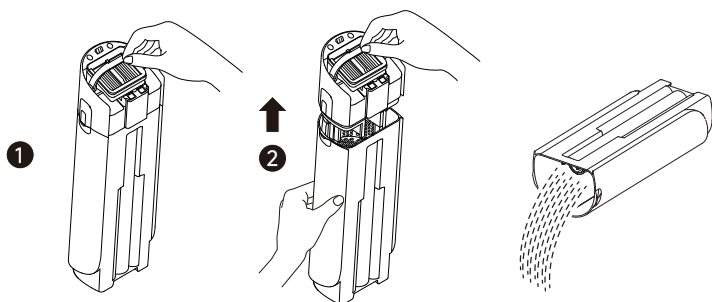
- Non usare per aspirare liquidi schiumosi.
- Assicurarsi che l'apparecchio sia in posizione verticale prima di spegnerlo mentre è in posizione orizzontale.
- L'apparecchio è adatto per la pulizia di pavimenti, marmo, piastrelle e altre superfici dure.
- Quando l'apparecchio è in funzione, non sollevarlo da terra, né muoverlo o inclinarlo. In caso contrario, l'acqua usata potrebbe penetrare nel motore.

## Svuotamento del serbatoio dell'acqua usata



1. Premere il pulsante di rilascio del serbatoio dell'acqua usata per rimuovere il serbatoio.

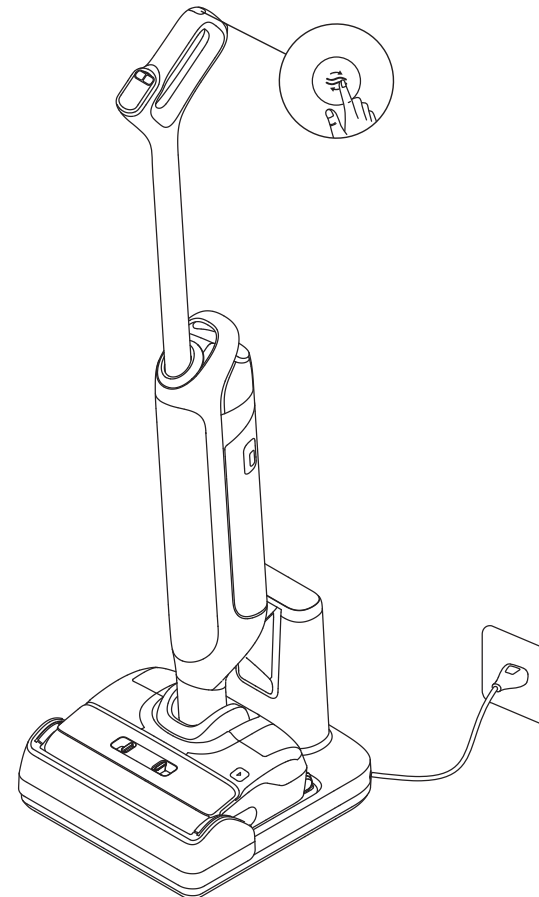


2. Tirare la maniglia del coperchio del serbatoio dell'acqua usata, sollevare il coperchio e versare l'acqua usata.



## Autopulizia con acqua calda e modalità di asciugatura

1. Riposizionare l'apparecchio sulla base. Assicurarsi che l'acqua nel serbatoio dell'acqua pulita sia sufficiente per l'autopulizia.
2. Premere brevemente il pulsante di autopulizia  sulla parte superiore del manico per avviare/arrestare l'autopulizia. Commutare la modalità di autopulizia con acqua calda seguendo le indicazioni vocali.
3. Svuotare il serbatoio dell'acqua usata al termine dell'autopulizia e dopo aver attivato la modalità di asciugatura. Premere il pulsante  per uscire dalla modalità di asciugatura.



Nota:

- Non toccare la spazzola a rullo, l'acqua calda o il modulo di riscaldamento della base di ricarica durante l'autopulizia con acqua calda.
- La funzione di autopulizia può essere attivata solo quando l'apparecchio è in carica e il livello della batteria è superiore al 20%. Se il livello della batteria è inferiore, caricarla al 20% prima di avviare l'autopulizia.

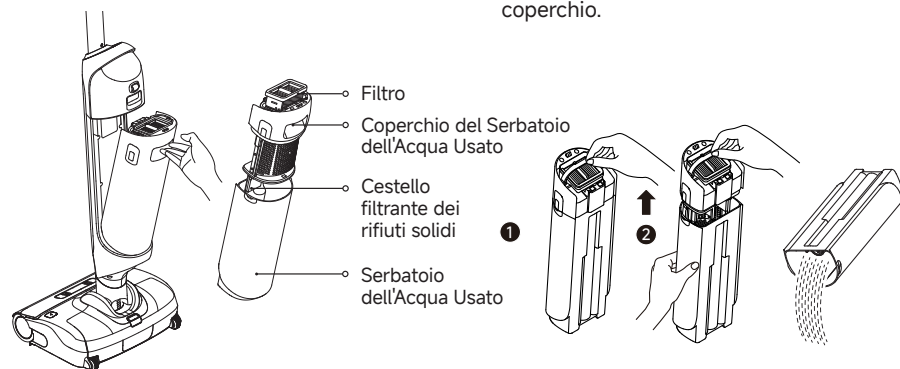
**Suggerimenti:**

- Spegnerne l'apparecchio prima di effettuare la manutenzione. Non toccare l'interruttore di alimentazione.
- Sostituire le parti se necessario. Le parti devono essere sostituite con quelle disponibili presso il produttore o il suo agente di assistenza.
- Se l'apparecchio non viene utilizzato per un periodo prolungato, caricarlo completamente, scollegare la spina e conservare l'apparecchio in un ambiente fresco e poco umido, lontano dalla luce solare diretta. Per evitare una scarica eccessiva della batteria, caricare l'apparecchio almeno una volta ogni 3 mesi.

**Pulizia del serbatoio dell'acqua usata**

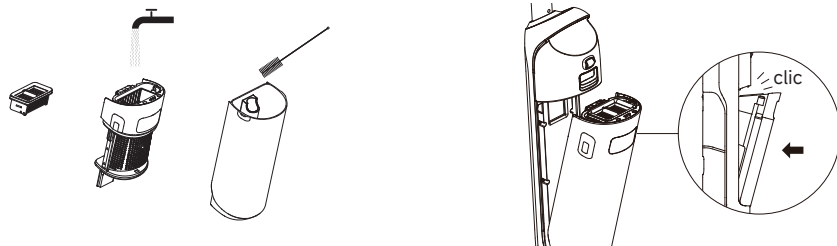
1. Premere il pulsante di rilascio del serbatoio dell'acqua usata per rimuovere il serbatoio.

2. Tirare verso l'alto la maniglia del coperchio del serbatoio dell'acqua usata e sollevare il coperchio. Rimuovere il filtro dal coperchio.



3. Risciacquare il serbatoio dell'acqua usata e il coperchio del serbatoio con acqua. Utilizzare la spazzola di pulizia in dotazione per pulire le pareti interne del serbatoio.

4. Rimontare il filtro e il coperchio del serbatoio dell'acqua usata. Poi rimontare il serbatoio dell'acqua usata finché non si sente un clic.



Nota: Si raccomanda di pulire il serbatoio dell'acqua usata dopo ogni utilizzo, nonché prima e dopo l'autopulizia.

**Pulizia del filtro**

1. Rimuovere il filtro e rimuovere delicatamente la polvere galleggiante in superficie.

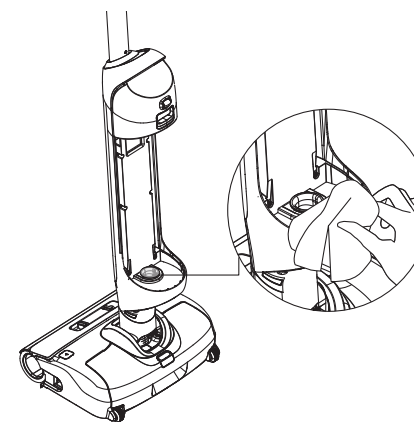
2. Quando il filtro è sporco e occorre lavarlo, sciacquarlo con acqua. Prima dell'uso deve essere completamente asciutto.



Nota: si consiglia di sostituire il filtro ogni 3-6 mesi.

**Pulizia del Tubo e del Sensore di Sporco**

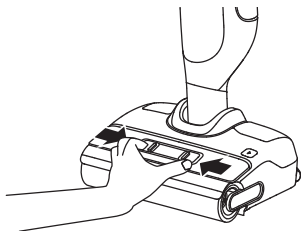
Rimuovere il serbatoio dell'acqua usata. Prima dell'uso, pulire il tubo e il sensore di sporco con un panno umido.



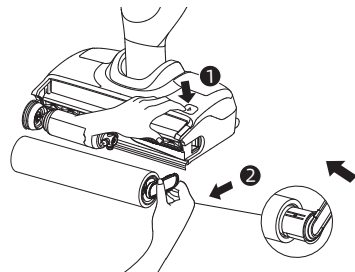
Nota: non risciacquare il tubo o il sensore di sporco.

### Pulizia del Gruppo Spazzole

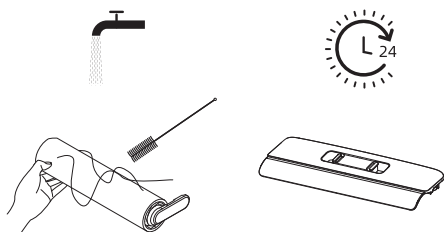
1. Premere i pulsanti di rilascio del coperchio della spazzola a rullo per rimuoverlo.



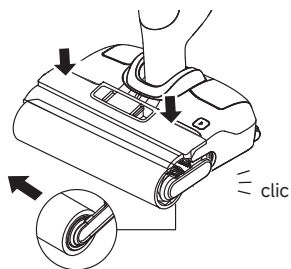
2. Premere il pulsante di rilascio della spazzola a rullo e tirare la maniglia per estrarre la spazzola. Separare l'impugnatura dalla spazzola a rullo.



3. Eliminare i capelli e i detriti incastrati nella spazzola a rullo con la spazzola di pulizia in dotazione. Sciacquare la spazzola a rullo e il coperchio con acqua pulita e farli asciugare completamente.

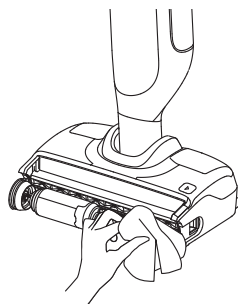


5. Reinstallare la spazzola a rullo e il coperchio della spazzola finché non si sente un clic.



- Nota:
- Non sciacquare il gruppo spazzola con acqua.
  - Pulire secondo necessità. Si consiglia di sostituire il rullo della spazzola ogni 3 - 6 mesi.
  - Assicurarsi che il serbatoio dell'acqua usata sia stato rimosso o svuotato prima di appoggiare l'apparecchio su un fianco per pulire la spazzola a rullo.

4. Pulire la bocca di aspirazione con un panno asciutto o un fazzoletto di carta bagnato.



## Risoluzione dei problemi

Se si verifica un errore, l'apparecchio smette di funzionare. Per trovare la soluzione, consultare la tabella seguente. Se il problema persiste, contattare il servizio clienti.

Errore	Causa possibile	Soluzione
L'apparecchio non funziona.	La batteria dell'apparecchio è scarica o il livello della batteria è basso.	Ricarica completamente la batteria prima dell'uso.
	L'apparecchio è in posizione verticale.	Reclina l'apparecchio all'indietro.
	Un blocco ha attivato la modalità di protezione dal surriscaldamento.	Elimina il blocco e attendi che la temperatura ritorni normale.
	Il serbatoio dell'acqua usata è pieno.	Svuota il serbatoio dell'acqua usata.
	Le parti non sono installate in posizione.	Assicurati che tutte le parti siano posizionate correttamente.
L'apparecchio si ricarica lentamente.	La temperatura della batteria è troppo bassa o troppo alta.	Attendi finché la temperatura della batteria non torna normale.
La potenza di aspirazione dell'apparecchio è debole.	Il filtro è ostruito.	Pulisci il filtro.
	La bocca o il tubo di aspirazione sono bloccati da un oggetto estraneo.	Pulisci il tubo e l'ingresso di aspirazione.
Il motore fa uno strano rumore.	C'è troppa acqua sporca nel serbatoio dell'acqua usata.	Svuota il serbatoio dell'acqua usata.
	La bocca di aspirazione principale è ostruita.	Elimina qualsiasi blocco nella bocca di aspirazione principale.
L'indicatore del livello della batteria sul display non si accende durante la carica.	La spina della base di ricarica non è inserita correttamente nella presa elettrica.	Assicurati che la spina della base di ricarica sia inserita in posizione.
	L'apparecchio non è posizionato correttamente sulla base di ricarica.	Assicurati che l'apparecchio sia posizionato correttamente sulla base di ricarica.

# Risoluzione dei problemi

Non esce acqua dall'apparecchio.	Il serbatoio dell'acqua pulita non è installato correttamente oppure l'acqua nel serbatoio dell'acqua pulita è insufficiente.	Reinstalla o riempi il serbatoio dell'acqua pulita.
	Ci vogliono 30 secondi per inumidire il rullo della spazzola.	Accendi l'apparecchio e ricontrollare dopo un po'.
Perdita d'acqua dalla parte superiore del serbatoio dell'acqua sporca.	Una collisione o una forte trazione provoca l'ingresso di acqua nel motore.	Muovi delicatamente l'apparecchio avanti e indietro mentre è acceso.
	Il filtro non è completamente asciutto dopo essere stato pulito.	Asciuga completamente il filtro prima dell'uso.
Auto-pulizia non riuscita.	Il rullo della spazzola potrebbe essere inceppato da particelle grandi.	Rimuovi il coperchio della spazzola a rullo per controllare e pulire il rullo stesso.
	L'apparecchio non è posizionato correttamente sulla base di ricarica.	Assicurati che l'apparecchio sia in ricarica prima di abilitare la funzione di auto-pulizia.
	L'auto-pulizia non può essere avviata se il livello della batteria è inferiore al 20%.	L'autopulizia può essere attivata solo quando l'apparecchio è in carica e il livello della batteria è superiore al 20%.
	Il serbatoio dell'acqua usata è pieno.	Svuota il serbatoio dell'acqua usata.
	Il serbatoio dell'acqua pulita non è installato in posizione, oppure l'acqua nel serbatoio dell'acqua pulita è insufficiente.	Reinstalla o Riempi il serbatoio dell'acqua pulita.
Scarse prestazioni di asciugatura.	L'uscita dell'aria e l'ingresso dell'aria della base di ricarica potrebbero essere bloccati.	Controlla e rimuovi il blocco dell'uscita dell'aria e dell'ingresso dell'aria.

## Prompt di Errore e Soluzioni

Se l'apparecchio non funziona correttamente, il display visualizza un messaggio di errore. Per trovare la soluzione, consultare la tabella seguente.

Codice di errore	Causa possibile	Soluzione
E1-E7	Errore	Riavvia l'apparecchio per la risoluzione dei problemi. Se il problema persiste, contattare il servizio clienti.
F1-F3		
H2/H3/H5/H6		

# Specifiche tecniche

Aspirazione			
Modello	HMH15A	Potenza nominale	300 W
Tensione nominale	21,6 V ---	Tensione di Carica	27 V ---
Capacità del Serbatoio dell'Acqua Pulita	800 ml	Capacità del Serbatoio dell'Acqua Usata	700 ml
Tempo di ricarica	Circa 4 ore		
Base di Ricarica			
Modello	HCBX	Potenza nominale in ingresso*	650 W
Ingresso nominale	220-240 V 50-60 Hz	Potenza nominale	27 V --- 1,6 A
Protezione contro le infiltrazioni dannose di acqua	IPX1		

\* La potenza nominale in ingresso si riferisce alla potenza misurata durante un ciclo rappresentativo per l'attivazione della modalità di asciugatura.

## Smaltimento e Rimozione della Batteria

La batteria agli ioni di litio incorporata contiene sostanze pericolose per l'ambiente. Prima di smaltire la batteria, assicurarsi che venga rimossa da tecnici qualificati e smaltita presso un centro di riciclo appropriato.

- la batteria deve essere rimossa dall'apparecchio prima di essere rottamata;
- l'apparecchio deve essere scollegato dalla rete di alimentazione quando si rimuove la batteria;
- la batteria deve essere smaltita in modo sicuro.

### ATTENZIONE:

- Prima di rimuovere la batteria, scollega l'alimentazione ed esaurisci la batteria il più possibile.
- Le batterie non necessarie devono essere smaltite presso un centro di riciclaggio appropriato.
- Non esporre ad ambienti ad alta temperatura per evitare rischi di esplosione.
- In caso di condizioni difficili, è possibile che il liquido venga espulso dalla batteria. In caso di contatto, sciacquare con acqua e consultare un medico.

### Guida alla Rimozione

1. Rimuovere la maniglia facendo riferimento alla sezione Installazione.
2. Utilizzare un attrezzo appropriato per rimuovere le coperture decorative della parte superiore e del corpo dell'apparecchio.
3. Rimuovere il serbatoio delle acque reflue e, con un cacciavite, rimuovere tutte le viti di fissaggio dal corpo.
4. Rimuovere le viti di fissaggio del coperchio anteriore dell'apparecchio. Rimuovere il coperchio.
5. Rimuovere il coperchio della scheda di controllo principale, scollegare i cavi del connettore del gruppo batteria e rimuovere la batteria dal gruppo batteria.

# Instrucciones de seguridad importantes

Lea este manual detenidamente antes de usar la aspiradora y guárdelo para su consulta en el futuro.

Al usar un aparato eléctrico, siempre se deben seguir las precauciones básicas, incluidas las siguientes:

**LEA TODAS LAS INSTRUCCIONES ANTES DE USAR (ESTE APARATO).** El incumplimiento de las advertencias e instrucciones puede tener como resultado una descarga eléctrica, un incendio y/o lesiones graves.

**ADVERTENCIA:** Para reducir el riesgo de incendio, descarga eléctrica o lesiones:

## Restricciones de uso

- Este aparato no debe ser usado por niños de menos de 8 años ni personas con deficiencias físicas, sensoriales, intelectuales, o experiencia o conocimiento limitados sin la supervisión de un adulto o tutor para asegurar un uso seguro y evitar riesgos. La limpieza y el mantenimiento no deben ser realizados por niños sin supervisión.
- La película plástica puede causar peligro. Para evitar asfixia, manténgala alejado de los niños. Los niños no deben jugar con el aparato.
- Utilícelo únicamente en interiores y sobre suelos sin alfombras, como por ejemplo vinilo, baldosas, madera sellada, etc. Tenga cuidado de no pasar por encima de objetos sueltos o bordes de tapetes. Cepillo atrapado puede provocar un fallo prematuro de la correa.
- Utilícelo únicamente como se describe en este manual de usuario. Utilice únicamente los accesorios recomendados por el fabricante.
- No exponga el aparato al fuego o temperaturas altas. La exposición al fuego o temperaturas altas puede provocar una explosión.
- No lo utilice en ambientes extremadamente calientes o fríos (inferior a 5° C/41° F o superior a 40° C/104° F). Recargue el aparato a temperaturas superior a 5° C/41° F e inferior a 40° C/104° F.
- No sumerja el aparato en líquido.
- No lo use para recoger líquidos inflamables o combustibles, como gasolina. No lo use en áreas donde pueda haber líquidos inflamables o combustibles.
- No coloque ningún objeto en las aberturas. No utilice el aparato cuando alguna abertura esté bloqueada. Manténgalo libre de polvo, pelusa, cabello y cualquier cosa que pueda impedir el flujo de aire.
- No recoja material tóxico (blanqueador con cloro, amoníaco, líquido limpiador de desagües, etc.). No recoja objetos duros o afilados como vidrio, clavos, tornillos, piezas metálicas, etc.
- No utilice el aparato en un espacio cerrado lleno de vapor emitido por pintura a base de aceite, disolvente de pintura, sustancias a prueba de polillas, polvo inflamable u otros vapores explosivos o tóxicos. No recoja ningún objeto que se esté quemando o humeando, como cigarrillos, fósforos o cenizas calientes.
- No lo use sin los filtros instalados correctamente.
- Mantenga el cabello, la ropa suelta, los dedos y todas las partes de su cuerpo alejados de las aberturas y las partes móviles del aparato y sus accesorios.
- Mantenga los cables de conexión a tierra alejados del aparato durante el uso, ya que puede producirse peligro si el aparato atropella un cable de alimentación.
- Tenga especial cuidado al limpiar escaleras.

# Instrucciones de seguridad importantes


## Mantenimiento y Almacenamiento

- Para evitar arranque involuntario, asegúrese de que el interruptor esté en la posición APAGADO antes de levantar o transportar el aparato. Transportar el aparato con el dedo puesto en el interruptor o con el interruptor encendido puede provocar accidentes.
- Asegúrese de que el aparato esté colocado sobre una superficie horizontal. No utilice el aparato en la misma posición si el aparato está equipado un cepillo de rodillo y el asa no está en posición completamente vertical. No guarde el aparato en un lugar donde pueda congelarse.
- Apague y desenchufe el aparato cuando no está funcionando, antes de limpiarlo, mantenerlo o repararlo, y antes de conectarlo o desconectarlo con un cepillo de movimiento.
- No utilice electrodomésticos que estén dañados o modificados. Baterías dañadas o modificadas pueden provocar un comportamiento imprevisible que resulten en fuego, explosión o riesgo de lesiones.
- No modifique ni intente reparar el aparato salvo que se indique en las instrucciones de uso y cuidado.
- No utilice el aparato con un accesorio dañado (por ejemplo, base de carga, cable de alimentación, etc.). Si el aparato o el accesorio se ha caído al suelo, dañado, dejado en el exterior, ha caído al agua o no funciona, no intente utilizarlo. Haga que lo reparen en un centro de servicio autorizado.
- Haga realizar la reparación por personal cualificado en reparaciones utilizando únicamente piezas de repuesto. Esto asegurará que se mantenga la seguridad del producto.

## Batería y Carga

- Para recargar el aparato, utilice únicamente la base de carga suministrada con el aparato. Utilícelo únicamente con la estación de carga HCBX.
- Siga todas las instrucciones de carga y no cargue el aparato fuera del rango de temperatura especificado en la batería, ya que hacerlo aumenta el riesgo de incendio.
- La base de carga cuenta con una función de secado y solo es adecuada para secar el cepillo de este aparato.
- Mantenga el cable de la base de carga alejado de las superficies calientes. No manipule el enchufe de la base de carga ni el aparato con las manos mojadas. Para desconectar la base de carga, agarre el enchufe de la misma en lugar del cable.
- No tire ni traslade la base de carga por cable, no utilice el cable como manija, no cierre la puerta por encima del cable ni tire el cable contra bordes o esquinas afilados.
- No utilice paquetes de baterías no recargables. En caso contrario, puede incendiarse la batería de iones de litio. Este aparato contiene baterías que solo pueden ser sustituidas por técnicos profesionales o el servicio de posventa.
- La batería de iones de litio contiene sustancias que son peligrosas para el medio ambiente. Antes de desechar el electrodoméstico, retire primero el paquete de baterías y luego deséchelo o reciclelo de acuerdo con las leyes y regulaciones locales del país o región en el que se usa.
- El aparato debe estar desconectado de la fuente de alimentación al retirar la batería. Mantenga las baterías fuera del alcance de los niños. No se meta nunca las baterías en la boca. Si se ingiere, comuníquese con su médico o el centro de control de toxicología local.

## Instrucciones de seguridad importantes

- En condiciones abusivas, nunca toque la batería de la que puede salir líquido. Si ocurre contacto accidentalmente, enjuague con agua. Si el líquido entra en contacto con los ojos, busque ayuda médica inmediatamente. El líquido divulgado de la batería puede causar irritación o quemaduras.
- La base de carga puede cargar los paquetes de baterías de 6 células de 4000 mAh. Esta base de carga no se debe usar para cargar baterías no recargables. En caso contrario, puede incendiarse la batería de iones de litio.
- La base de carga está marcada con el  icono que indica "Precaución: Superficie caliente". No toque el rodillo de cepillo, el agua caliente ni el calentador de la base de carga durante la autolimpieza con agua caliente.
- Las instrucciones para el aparato con un sistema de dosificación de líquidos especifica la cantidad y el tipo de líquido a usar (IEC 60335-2-10).

## Símbolos



Equipo de Clase II



Eslabón de fusible miniatura de retardo donde 3,15 A-T es el símbolo característico de tiempo/corriente



Solo para uso en interiores



Lea el manual del operador



Precaución: Superficie caliente



Información RAEE

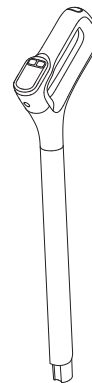
Todos los productos que llevan este símbolo son residuos de aparatos eléctricos y electrónicos (RAEE según la directiva 2012/19/UE) que no deben mezclarse con residuos domésticos sin clasificar. En cambio, debe proteger la salud humana y el medio ambiente entregando sus residuos de aparatos a un punto de recogida designado para el reciclaje de basura de aparatos eléctricos y electrónicos, nombrado por el gobierno o las autoridades locales. Una correcta eliminación y reciclaje ayudarán a impedir potenciales consecuencias negativas al medio ambiente y la salud humana. Contacte con el instalador o las autoridades locales para más información acerca de la ubicación así como términos y condiciones de tales puntos de recogida.

Nosotros, Dreame Trading (Tianjin) Co., Ltd, por la presente, declaramos que el equipo cumple con las Directivas y Normas Europeas aplicables y sus modificaciones. El texto completo de la declaración de conformidad de la UE está disponible en la siguiente dirección de Internet:  
[www.mova-tech.com](http://www.mova-tech.com)

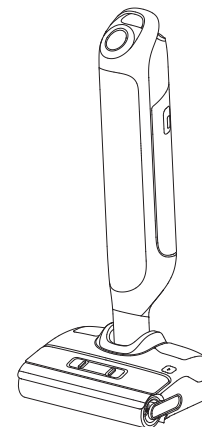
Para un manual electrónico detallado, vaya a  
<https://www.mova-tech.com/pages/user-manuals-and-faqs>

## Descripción general del producto

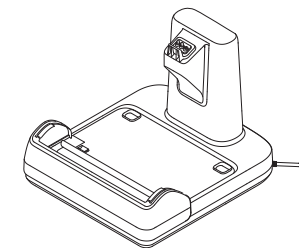
### Lista de embalaje



Asa



Cuerpo principal



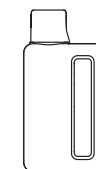
Base de Carga



Filtro de repuesto



Cepillo de rodillo de repuesto



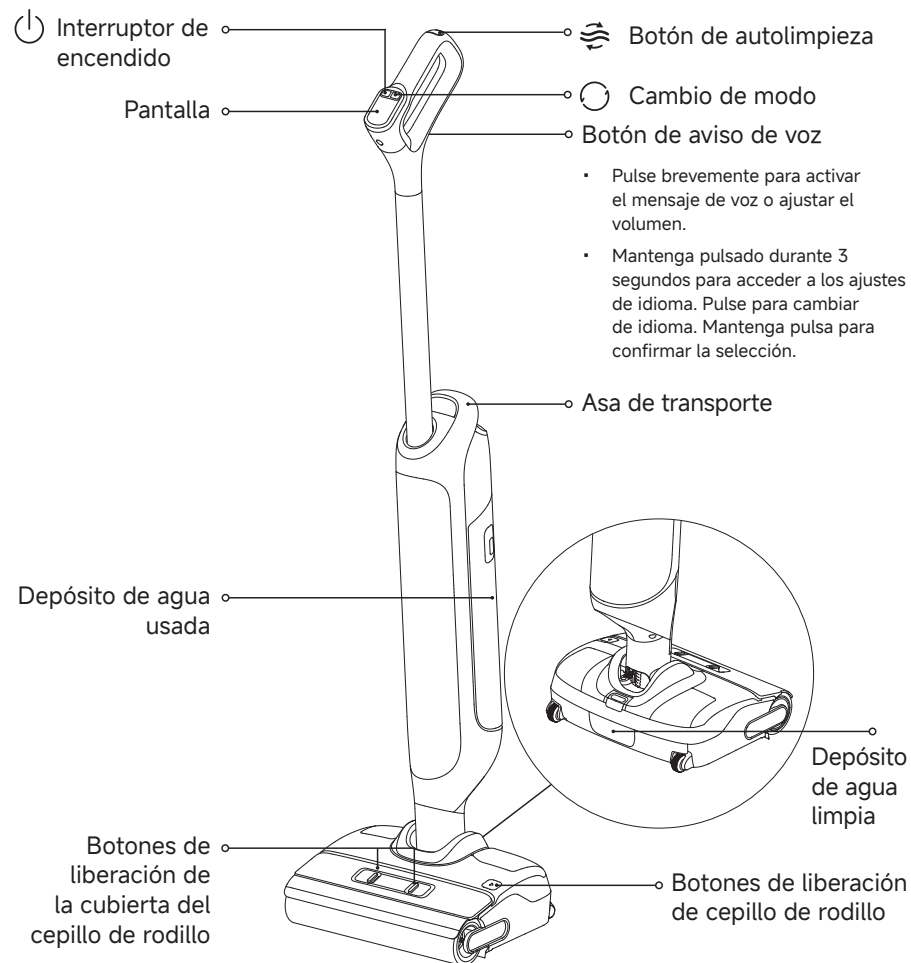
Solución de limpieza



Cepillo de limpieza

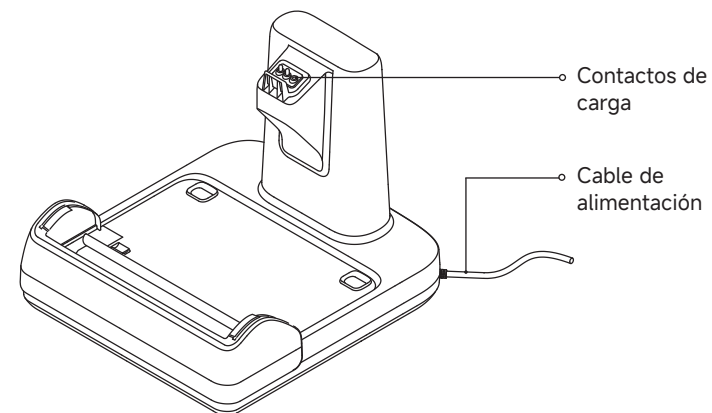
## Descripción general del producto

### Aspiradora

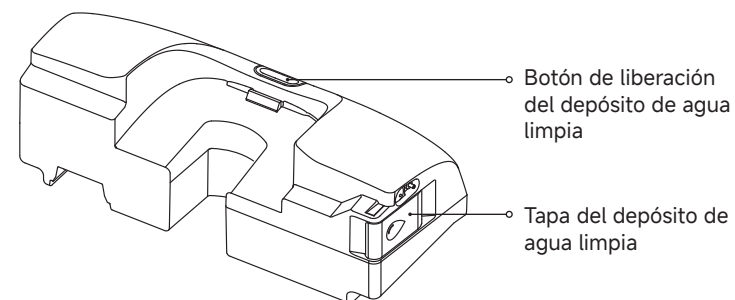


## Descripción general del producto

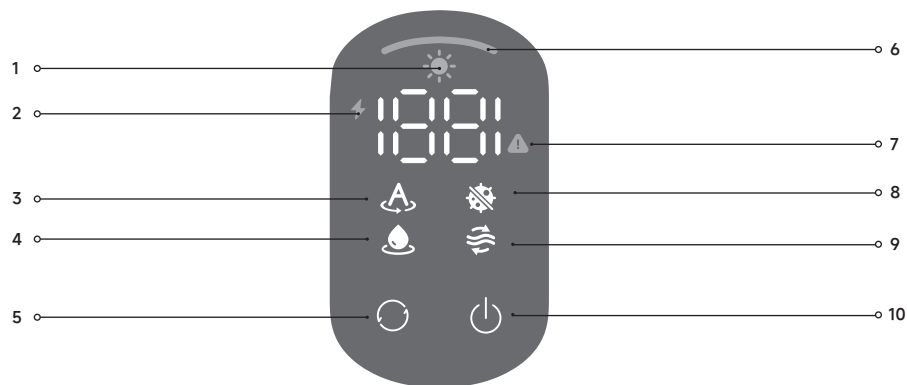
### Base de carga



### Depósito de agua limpia



## Pantalla

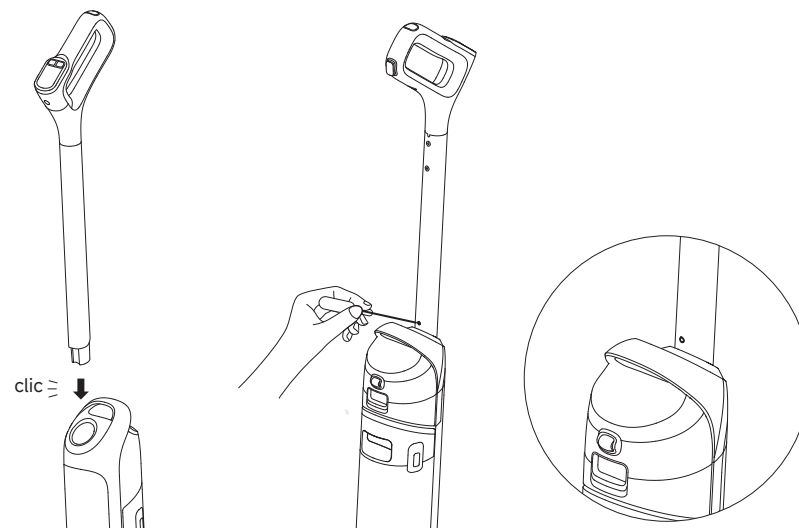


- |   |  |    |  |
|---|--|----|--|
| 1 | Modo de secado                                   | 6  | Indicador de Concentración de Polvo<br>El color del indicador cambia con la cantidad de suciedad en tiempo real. |
| 2 | Indicador de batería baja / carga                | 7  | Mensajes de Error  |
| 3 | Modo inteligente                                 | 8  | Modo Ultra   |
| 4 | Modo de succión                                  | 9  | Modo de autolimpieza   |
| 5 | Cambio de modo<br>Pulse brevemente para cambiar. | 10 | Interruptor de encendido<br>Pulse brevemente para iniciar / detener la limpieza.                                 |

Nota: Si el aparato no funciona bien, la pantalla mostrará un mensaje de error. Consulte la tabla de Mensajes de error y Soluciones para encontrar una solución.

## Instalación

Inserte el extremo del mango verticalmente en la conexión en la parte superior del aparato como se indica hasta que escuche un clic.



Nota: Para el desmontaje, introduzca un objeto rígido en el agujero del aparato como se indica para presionar los contactos y tire del mango hacia arriba al mismo tiempo.

## Cargando

1. Coloque la base de carga contra la pared en un suelo nivelado y conéctelo a la fuente de alimentación. Cargue completamente el aparato antes del primer uso.
2. Coloque el aparato en la base de carga. La batería está completamente cargado cuando el número en la pantalla llegue a 100.

### ⚡ Indicador de carga/batería baja

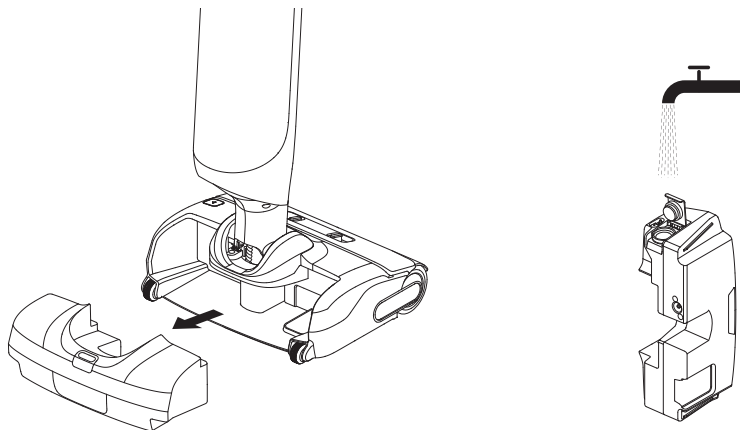
- Parpadeo lento en naranja: Nivel de batería  $\leq 20\%$  (cargando)
- Parpadeo lento en verde: Nivel de batería  $> 20\%$  (cargando)
- Verde fijo: Completamente cargado
- Naranja fijo: Nivel de batería  $\leq 20\%$

Nota:

- Si no se realiza ninguna operación durante 10 minutos después de haberse cargado completamente, la aspiradora pasará al modo de reposo. Reinicie el aparato si necesita usarlo.
- Para prolongar la vida útil de la batería, la batería continua enfriándose automáticamente después de usar el aparato durante mucho tiempo.

### Llenado del depósito de agua limpia

Presione el botón de liberación del depósito de agua limpia para retirar el depósito. Abra la tapa del depósito y llene el depósito con agua limpia. Instale el depósito de agua limpia y asegúrese de que encaje en su lugar.




### Añadir líquido de limpieza

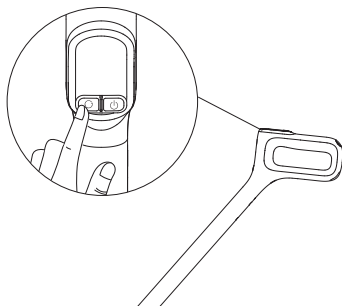
1. Retire el precinto antes del uso.
2. Mida el limpiador de suelos con el tapón de la botella (\*aproximadamente 10 ml / 0,34 fl oz por tapón).
3. Viértalo en el depósito de agua limpia y agítelo suavemente para mezclarlo bien antes de usarlo.

Nota: No añada ningún otro líquido que no sea el limpiador de suelos oficialmente aprobado. El limpiador puede estar disponible en tienda en línea oficial.


ADVERTENCIA: Para reducir el riesgo de incendio y descarga eléctrica debido a daños en los componentes internos, use únicamente el líquido de limpieza mova AWH10 indicado para su uso con el aparato.

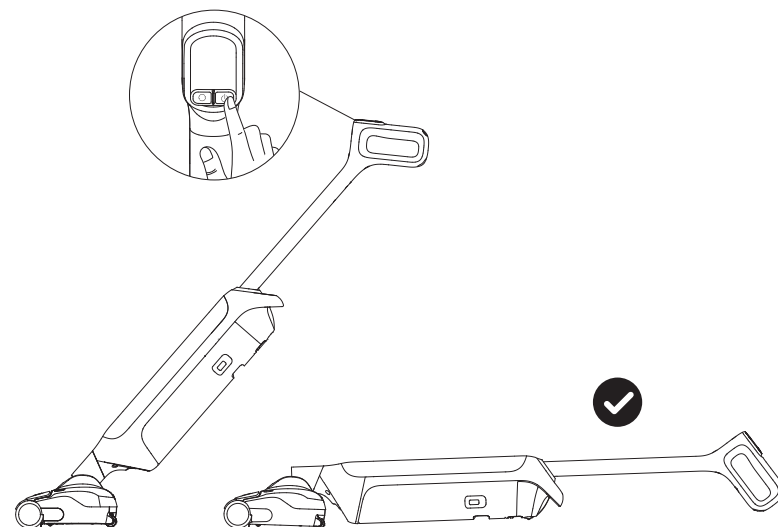
### Cambiar entre Modos

Pulse el interruptor de modo  para cambiar de modo según sus necesidades.



### Empezar a limpiar

Pise suavemente la cubierta del cepillo y recline el aparato hacia atrás. Pulse el interruptor de encendido  para iniciar o detener el funcionamiento. Si el aparato está en posición vertical durante el funcionamiento, la tarea actual se suspenderá. El aparato está diseñado para estar recostado en un ángulo de 180 grados, lo que permite que llegue y limpie debajo de los muebles de bajo perfil.

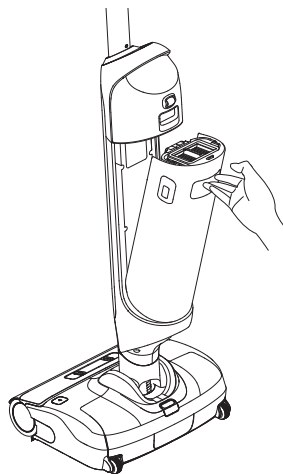


Nota:

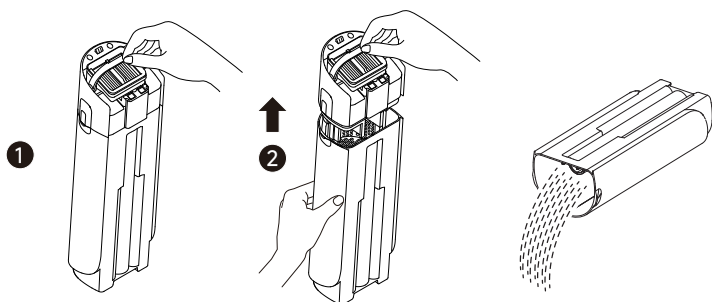
- No lo use para aspirar líquidos espumosos.
- Asegúrese de que el aparato esté en posición vertical antes de apagar la alimentación con el aparato en posición horizontal.
- El aparato es adecuado para limpiar piso, mármol, baldosas y otras superficies duras.
- Cuando el aparato esté en funcionamiento, no lo levante del suelo, no lo mueva ni lo incline. De lo contrario, el agua usada puede entrar en el motor.

### Vaciado del depósito de agua usada



1. Presione el botón de liberación del depósito de agua usada para retirar el depósito.

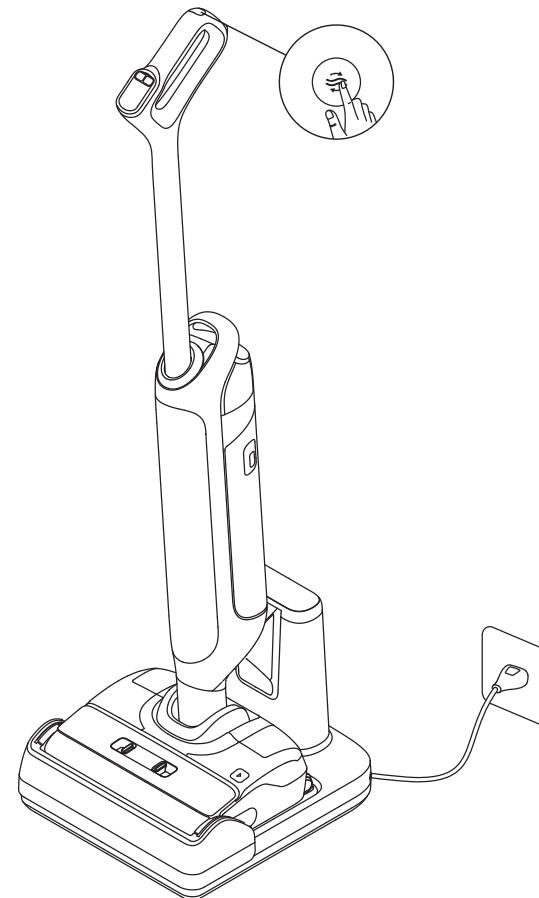


2. Tire del asa de la tapa del depósito de agua usada, levante la tapa y vacíe el agua usada.



### Autolimpieza con agua caliente y modo de secado

1. Vuelva a colocar el aparato en la base. Asegúrese de que haya suficiente agua en el depósito de agua limpia para la autolimpieza.
2. Pulse brevemente el botón de autolimpieza  en la parte superior del asa para iniciar/detener la autolimpieza. Cambie al modo de autolimpieza con agua caliente según los mensajes de voz.
3. Vacíe el depósito de agua usada después de completar la autolimpieza y activar el modo de secado. Pulse el botón  para salir del modo de secado.



**Nota:**

- No toque el rodillo de cepillo, el agua caliente ni el calentador de la base de carga durante la autolimpieza con agua caliente.
- La función de autolimpieza puede activarse solo cuando el aparato esté cargando y el nivel de batería sea superior al 20 %. Si nivel de batería es muy bajo, cargue hasta el 20 % antes de empezar la autolimpieza.

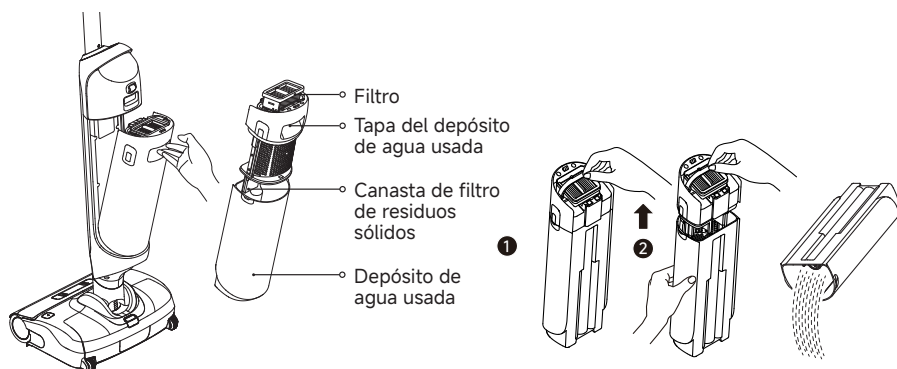
## Consejos:

- Apague el aparato antes del mantenimiento. No toque el interruptor de encendido.
- Sustituya las piezas si es necesario. Las piezas deben ser sustituidas por aquellas suministradas por el fabricante o su agente de servicio.
- Si el aparato no se utiliza durante un periodo prolongado, cárguelo por completo, desconecte el enchufe de alimentación y guárdelo en un lugar fresco con poca humedad alejado de la luz solar directa. Para evitar que la batería se descargue demasiado, cargue la batería al menos una vez cada 3 meses.

## Limpeza del depósito de agua usada

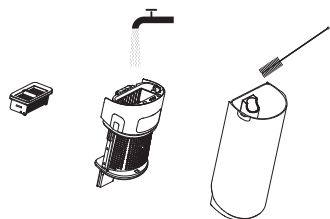
1. Presione el botón de liberación del depósito de agua usada para retirar el depósito.

2. Tire del asa de la tapa del depósito de agua usada y levante la tapa. Retire el filtro de la tapa.



3. Enjuague el depósito de agua usada y la tapa del depósito con agua. Use el cepillo de limpieza suministrado para limpiar la pared interior del depósito.

4. Vuelva a instalar el filtro y la tapa de agua usada. Luego vuelva a instalar el depósito de agua usada hasta que escuche un chasquido.



Nota: Se recomienda limpiar el depósito de agua usada oportunamente después de cada uso, y también antes y después de la autolimpieza.

## Limpeza del filtro

1. Quite el filtro y sacuda suavemente el polvo flotante en la superficie.

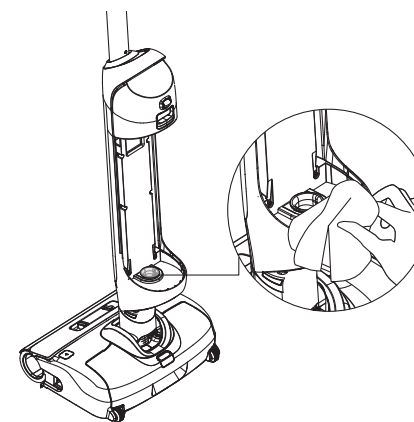
2. Cuando el filtro esté sucio y necesite lavarse, enjuáguelo con agua. Se debe secar completamente antes de usarlo.



Nota: Se recomienda cambiar el filtro cada 3 a 6 meses.

## Limpeza del tubo y sensor de suciedad

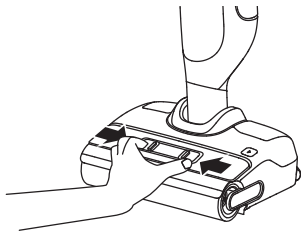
Retire el depósito de agua usada. Limpie el tubo y el sensor de suciedad con un paño húmedo antes del uso.



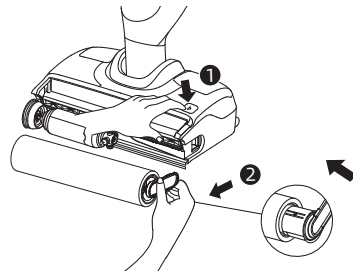
Nota: No enjuague el tubo o el sensor de suciedad.

## Limpieza del conjunto del cepillo

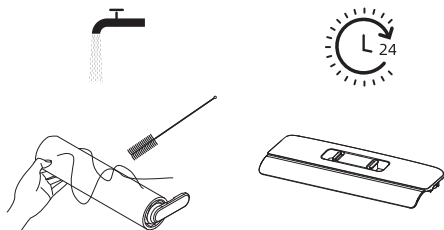
1. Presione el botón de liberación de la cubierta del rodillo de cepillo para retirar la cubierta del rodillo de cepillo.



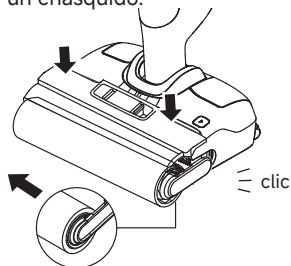
2. Presione el botón de liberación del rodillo de cepillo y tire del mango para sacar el rodillo de cepillo. Separe el mango del rodillo de cepillo.



3. Limpie los pelos y la suciedad atrapados en el rodillo de cepillo con el cepillo de limpieza suministrado. Enjuague el rodillo de cepillo y la cubierta con agua limpia y séquelo completamente.



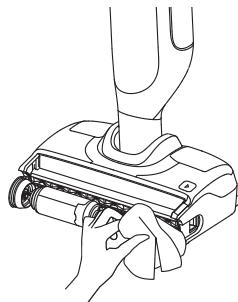
5. Vuelva a instalar el rodillo de cepillo y la cubierta del rodillo de cepillo hasta que escuche un chasquido.



Nota:

- No enjuague el conjunto de cepillo con agua.
- Limpie cuando sea necesario. Se recomienda sustituir el rodillo de cepillo cada 3 a 6 meses.
- Asegúrese de retirar o vaciar el depósito de agua usada antes de poner de lado el aparato para limpiar el cepillo de rodillo.

4. Limpie la entrada de succión con un paño seco o una toallita húmeda.



Si se produce un error, el aparato dejará de funcionar. Consulte la siguiente tabla para resolver problemas. Si el problema persiste, contacte con el servicio al cliente.

Error	Posible causa	Solución
El aparato no funciona.	El aparato no tiene batería o su nivel de batería es bajo.	Cargue completamente la batería antes de usar.
	El aparato está en posición vertical.	Recline el aparato hacia atrás.
	Modo de protección contra sobrecalentamiento por obstrucción activado.	Elimine la obstrucción y espere hasta que la temperatura vuelva a la normalidad.
	El depósito de agua usada está lleno.	Vacíe el depósito de agua usada.
El aparato carga lentamente.	Las piezas no están instaladas en su lugar.	Asegúrese de que todas las piezas estén bien colocadas.
	La temperatura de la batería está demasiado baja o demasiado alta.	Comuníquese con el servicio de atención al cliente.
La potencia de succión del aparato es débil.	El filtro está obstruido.	Limpie el filtro.
	La entrada de succión o el tubo están bloqueados por un objeto extraño.	Limpie el tubo y la entrada de succión.
El motor hace un ruido extraño.	Hay demasiada agua sucia en el depósito de agua usada.	Vacíe el depósito de agua usada.
	La boquilla de succión principal está bloqueada.	Elimine cualquier obstrucción en la boquilla de succión principal.
El indicador de nivel de la batería en la pantalla no se enciende durante la carga.	El enchufe de la base de carga no se ha conectado correctamente a la toma de corriente.	Asegúrese de que el enchufe de la base de carga está correctamente conectado.
	El aparato no está colocado correctamente en la base de carga.	Asegúrese de que el aparato esté colocado en la base de carga correctamente.

No sale agua del aparato.	El depósito de agua limpia no está bien instalado en su lugar, o no hay suficiente agua en el depósito de agua limpia.	Vuelva a instalar o llenar el depósito de agua limpia.
	Se tarda 30 segundos en humedecer el cepillo giratorio.	Encienda el aparato y compruebe de nuevo pasado un tiempo.
El respiradero tiene fuga de agua.	Una colisión o un tirón brusco causa que entre agua en el motor.	Mueva el aparato suavemente hacia atrás y hacia delante mientras está encendido.
	El filtro no se ha secado completamente después de limpiarlo.	Seque completamente el filtro antes de usarlo.
La autolimpieza falla.	El cepillo de rodillo puede estar obstruido por residuos grandes.	Retire la cubierta del rodillo de cepillo para comprobar y limpiar el rodillo de cepillo.
	El aparato no está colocado correctamente en la base de carga.	Asegúrese de que el aparato se esté cargando antes de activar la función de autolimpieza.
	La autolimpieza no se puede activar si el nivel de la batería es inferior al 20 %.	La autolimpieza puede activarse solo cuando el aparato se esté cargando y el nivel de batería sea superior al 20 %.
	El depósito de agua usada está lleno.	Vacíe el depósito de agua usada.
	El depósito de agua sucia no está instalado en su lugar, o no hay suficiente agua en el depósito de agua sucia.	Vuelva a instalar o llenar el depósito de agua limpia.
Bajo rendimiento de secado.	La salida de aire y la entrada de aire de la base de carga pueden estar bloqueadas.	Verifique y elimine cualquier obstrucción de la salida de aire y la entrada de aire.

## Mensajes de Error y Soluciones

Si el aparato no funciona bien, la pantalla mostrará un mensaje de error. Consulte la siguiente tabla para encontrar una solución.

Código de error	Posible causa	Solución
E1-E7	Error	Reinicie el aparato para la solución de problemas. Si el problema persiste, contacte con el servicio al cliente.
F1-F3		
H2/H3/H5/H6		

Aspiradora			
Modelo	HMH15A	Potencia nominal	300 W
Tensión nominal	21,6 V ---	Voltaje de carga	27 V ---
Capacidad del depósito de agua limpia	800 mL	Capacidad del depósito de agua usada	700 mL
Tiempo de carga	Aprox. 4 horas		
Base de carga			
Modelo	HCBX	Potencia nominal de entrada*	650 W
Entrada nominal	220-240 V 50-60 Hz	Salida nominal	27 V --- 1,6 A
Protección contra entrada perjudicial de agua		IPX1	

\* Por potencia nominal de entrada se entiende la potencia medida durante el ciclo representativo para acceder al modo de secado.

## Eliminación y retirada de la batería

La batería de iones de litio integrada contiene sustancias que son peligrosas para el medio ambiente. Antes de eliminar la batería, asegúrese de que la batería sea retirada por técnicos cualificados y desechada en instalaciones de reciclaje apropiadas.

- la batería debe retirarse del aparato antes de desecharlo;
- el aparato debe estar desconectado del suministro eléctrico cuando se retire la batería;
- la batería debe desecharse de forma segura.

### PRECAUCIÓN:

- Antes de retirar la batería, desconecte la alimentación y agote la batería al máximo.
- Las baterías no necesarias deben desecharse en instalaciones de reciclaje apropiadas.
- No la exponga a ambientes de alta temperatura para evitar riesgos de explosión.
- En condiciones abusivas, el líquido puede ser expulsado de la batería. Si ocurre un contacto, enjuague con agua y busque ayuda médica.

### Guía de Extracción

1. Para retirar el asa consulte la sección Instalación.
2. Utilice una herramienta adecuada para retirar la parte superior y las cubiertas decorativas del cuerpo del aparato.
3. Retire el depósito de agua usada y quite todos los tornillos de fijación del cuerpo con un desatornillador.
4. Retire los tornillos de fijación en la cubierta delantera del aparato. Retire la cubierta.
5. Retire la cubierta del tablero de control principal, desconecte los cables de conexión del paquete de baterías y retire la batería del conjunto de paquete de baterías.

# Belangrijke veiligheidsinstructies

Lees deze gebruiksaanwijzing vóór gebruik aandachtig door en bewaar deze voor toekomstig gebruik.

Wanneer u een elektrisch apparaat gebruikt, moet u altijd de volgende basisvoorzorgen in acht nemen:

**LEES VÓÓR GEBRUIK (VAN DIT APPARAAT) ALLE INSTRUCTIES.** Het niet opvolgen van de waarschuwingen en instructies kan tot elektrische schokken, brand en/of ernstig letsel leiden.

**WAARSCHUWING** — Om het risico op brand, elektrische schokken of letsel te verminderen:

## Gebruiksbeperkingen

- Dit apparaat mag niet zonder toezicht van een ouder of voogd worden gebruikt door kinderen jonger dan 8 jaar of personen met fysieke, zintuiglijke of geestelijke tekortkomingen of met beperkte ervaring of kennis, om een veilige bediening te waarborgen en risico's te vermijden. Schoonmaken en onderhoud mogen niet door kinderen zonder toezicht worden uitgevoerd.
- Plastic folie kan gevaarlijk zijn. Houd het uit de buurt van kinderen om verstikkingsgevaar te voorkomen. Kinderen mogen niet met dit apparaat spelen.
- Alleen binnenshuis gebruiken, op vloeren zonder vloerbedekking, zoals vinyl, tegels, verzegeld hout, enz. Zorg ervoor dat u niet over losse voorwerpen of de randen van vloerkleden rijdt. Het blokkeren van de borstel kan leiden tot voortijdige uitval van de aandrijfriem.
- Gebruik het apparaat alleen zoals beschreven in deze handleiding. Gebruik alleen de door de fabrikant aanbevolen hulpstukken.
- Stel het apparaat niet bloot aan vuur of te hoge temperaturen. Blootstelling aan vuur of een te hoge temperatuur kan een explosie veroorzaken.
- Gebruik niet in extreem hete of koude omgevingen (lager dan 5 ° C/41 ° F of hoger dan 40 ° C /104 ° C ). Laad het apparaat op bij temperaturen hoger dan 5 ° C/41 ° F en lager dan 40 ° C/104 ° F.
- Dompel het apparaat niet onder in vloeistof.
- Gebruik het niet om ontvlambare of brandbare vloeistoffen zoals benzine op te zuigen. Gebruik het niet op plaatsen waar ontvlambare of brandbare vloeistoffen aanwezig kunnen zijn.
- Steek geen voorwerpen in de openingen. Gebruik het apparaat niet wanneer er een opening geblokkeerd is. Houd vrij van stof, pluizen, haar en alles wat de luchtstroom kan belemmeren.
- Zuig geen giftig materiaal op (chloorbleekmiddel, ammoniak, afvoerreiniger, enz.). Zuig geen harde of scherpe voorwerpen op zoals glas, spijkers, schroeven, munten, enz.
- Gebruik het apparaat niet in een gesloten ruimte met verdampen op oliebasis, verfverdunner, sommige motwerende stoffen, brandbaar stof of andere explosieve of giftige dampen. Zuig niets op dat brandt of rookt, zoals sigaretten, lucifers of hete as.
- Gebruik het apparaat niet zonder dat er filters zijn geplaatst.
- Houd haar, losse kleding, vingers en alle lichaamsdelen uit de buurt van openingen en bewegende delen van het apparaat en de accessoires ervan.
- Houd grondkabels uit de buurt van het apparaat wanneer u het gebruikt. Er kan gevaar ontstaan als het apparaat over een netsnoer loopt.
- Wees extra voorzichtig bij het schoonmaken op trappen.

# Belangrijke veiligheidsinstructies


## Onderhoud en opslag

- Voorkom onbedoeld starten. Zorg ervoor dat de schakelaar in de UIT-stand staat voordat u het apparaat oppakt of draagt. Als u het apparaat draagt met uw vinger op de schakelaar of als u het apparaat inschakelt, kan dit tot een ongeluk leiden.
- Zorg ervoor dat het apparaat op een horizontaal oppervlak wordt geplaatst. Gebruik het apparaat niet in dezelfde positie als het apparaat uitgerust is met een borstelrol en het handvat niet volledig rechtop staat. Bewaar het apparaat niet op een plaats waar het kan vriezen.
- Schakel het apparaat uit en trek de stekker uit het stopcontact als u het niet gebruikt, voordat u het reinigt, onderhoudt of service uitvoert, en voordat u het aansluit of loskoppelt met een bewegende borstel.
- Gebruik geen apparaat dat beschadigd of aangepast is. Een beschadigd of aangepast apparaat kan onvoorspelbaar reageren, wat kan leiden tot brand, explosie of risico op letsel.
- Pas het apparaat niet aan en probeer het apparaat niet te repareren, behalve zoals aangegeven in de instructies voor gebruik en onderhoud.
- Gebruik het apparaat niet met een beschadigd hulpstuk (bijv. oplaadstation, netsnoer, enz.). Probeer het apparaat of hulpstuk nooit te bedienen als het is gevallen, beschadigd is, buiten is achtergelaten, in het water is gevallen of niet naar behoren werkt. Laat het repareren bij een erkend servicecentrum.
- Laat het onderhoud uitvoeren door een gekwalificeerde monteur en gebruik uitsluitend gelijkwaardige vervangingsonderdelen. Dit zorgt ervoor dat de veiligheid van het apparaat behouden blijft.

## Batterij en opladen

- Gebruik voor het opladen van het apparaat alleen het oplaadstation dat bij dit apparaat is geleverd. Alleen gebruiken met HCBX-oplaadstation.
- Volg alle oplaadinstructies en laad het apparaat niet op buiten het temperatuurbereik dat op de batterij is aangegeven, omdat dit het risico op brand verhoogt.
- Het oplaadstation is uitgerust met een droogfunctie en alleen geschikt voor het drogen van de borstel van dit apparaat.
- Houd de kabel van het oplaadstation uit de buurt van warme oppervlakken. Raak de stekker van het oplaadstation of het apparaat niet aan met natte handen. Om de stekker uit het stopcontact te halen, pakt u de stekker van het oplaadstation vast in plaats van de kabel.
- Trek of draag het oplaadstation niet aan de kabel, gebruik de kabel niet als handvat, sluit de deur niet op de kabel en trek de kabel niet rond scherpe randen of hoeken.
- Gebruik geen niet-oplaadbaar batterijpakket. Zo niet, dan kan hierdoor de lithium-ionbatterij in brand vliegen. Dit apparaat bevat batterijen die alleen door gekwalificeerde technici of de klantenservice kunnen worden vervangen.
- Het lithium-ionbatterijpakket bevat materialen die schadelijk zijn voor het milieu. Voordat u het apparaat weggooit, dient u eerst de batterij te verwijderen en vervolgens alles in overeenstemming met de plaatselijke wet- en regelgeving van het land of de regio waar deze wordt gebruikt, weg te gooien of te recyclen.
- Bij het verwijderen van de batterij moet het apparaat van het lichtnet worden losgekoppeld. Houd batterijen buiten het bereik van kinderen. Stop batterijen nooit in de mond. Indien ingeslikt, neem contact op met uw arts of de plaatselijke gifdienst.

# Belangrijke veiligheidsinstructies

- Bij misbruik dient u nooit in contact te komen met de batterij waaruit de vloeistof kan vrijkomen. In geval van toevallig contact, met water uitspoelen. Als vloeistof in de ogen komt, onmiddellijk medische hulp inroepen. Vloeistof die uit de batterij komt kan irritatie of brandwonden veroorzaken.
- Het oplaadstation kan de 6-cellige 4000 mAh-batterij opladen. Dit oplaadstation mag niet worden gebruikt om niet-oplaadbare batterijen op te laden. Zo niet, dan kan hierdoor de lithium-ionbatterij in brand vliegen.
- Op het oplaadstation staat een pictogram  met de tekst "Voorzichtig: Heet oppervlak". Raak de borstelrol, het hete water of de verwarmingsmodule van het oplaadstation niet aan tijdens het zelfreinigen met heet water.
- De instructies voor apparaten met een vloeistofdoseersysteem specificeren de hoeveelheid en het type van de te gebruiken vloeistof (IEC 60335-2-10).

## Symbolen



Klasse II-apparaat



Miniatuur tijdvertragingzekeringswaarde waarbij T 3.15A het symbool is voor de tijdstroomkarakteristiek



Alleen voor gebruik binnenshuis



Lees de gebruikershandleiding



Voorzichtig: Heet oppervlak



AEEA-informatie

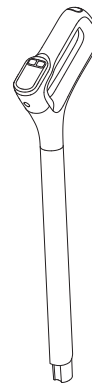
Alle producten met dit symbool zijn afgedankte elektrische en elektronische apparatuur (AEEA) zoals in richtlijn 2012/19/EU die niet samengevoegd mogen worden met ongesorteerd huishoudelijk afval. In plaats daarvan moet u de volksgezondheid en het milieu beschermen door uw afgedankte apparatuur in te leveren bij een door de overheid of de plaatselijke autoriteiten aangewezen inzamelpunt voor het recyclen van afgedankte elektrische en elektronische apparatuur. Een correcte verwijdering en recycling zal mogelijke negatieve gevolgen voor het milieu en de volksgezondheid helpen voorkomen. Neem contact op met de installateur of de plaatselijke autoriteiten voor meer informatie over de locatie en de voorwaarden van dergelijke inzamelpunten.

Wij van Dreame Trading (Tianjin) Co., Ltd. verklaren hierbij, dat dit apparaat in overeenstemming is met de betreffende Richtlijnen, Europese Normen en herzieningen hieraan. De volledige tekst van de EU-conformiteitsverklaring is beschikbaar op het volgende internetadres: [www.mova-tech.com](http://www.mova-tech.com)

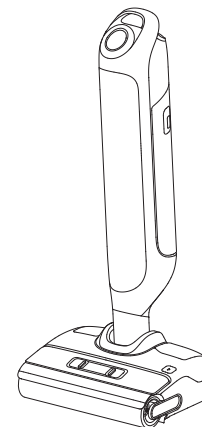
Voor een gedetailleerde e-handleiding gaat u naar <https://www.mova-tech.com/pages/user-manuals-and-faqs>

# Productoverzicht

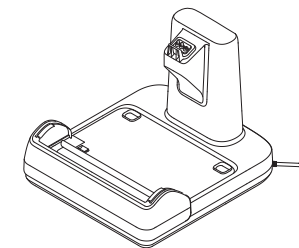
## Paklijst



Handvat



Hoofdbehuizing



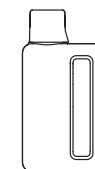
Oplaadstation



Vervangingsfilter



Reserveborstelrol

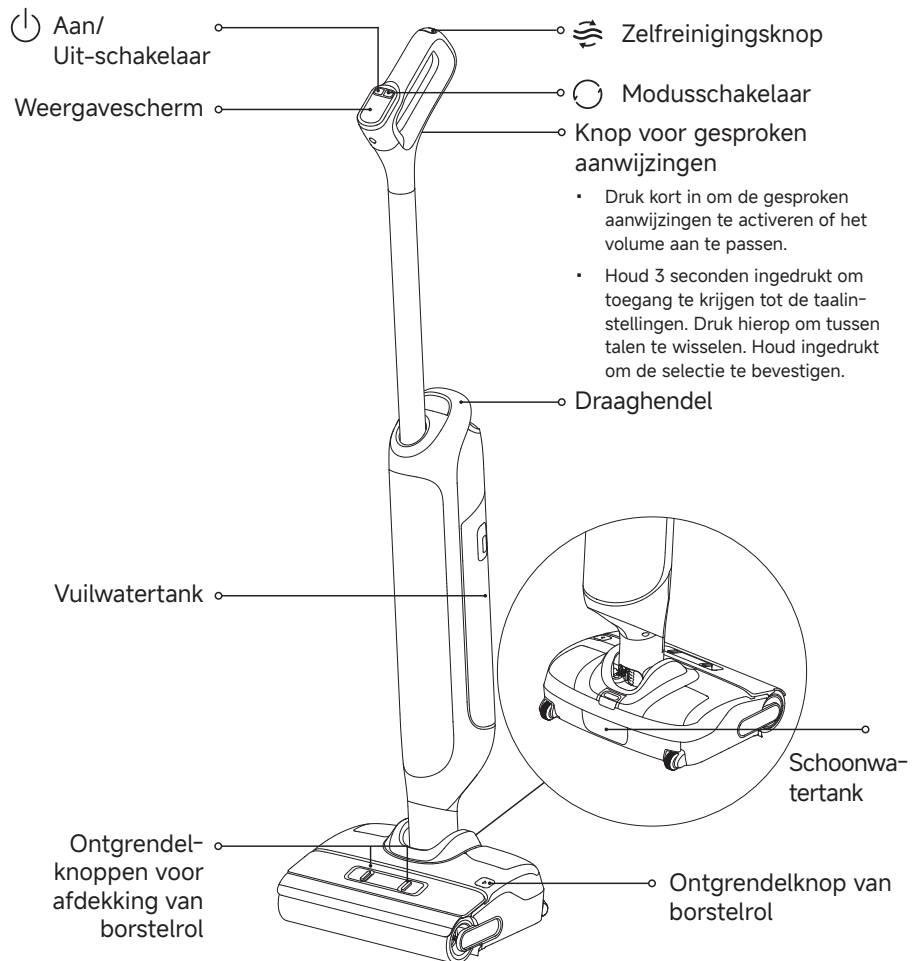


Reinigingsmiddel

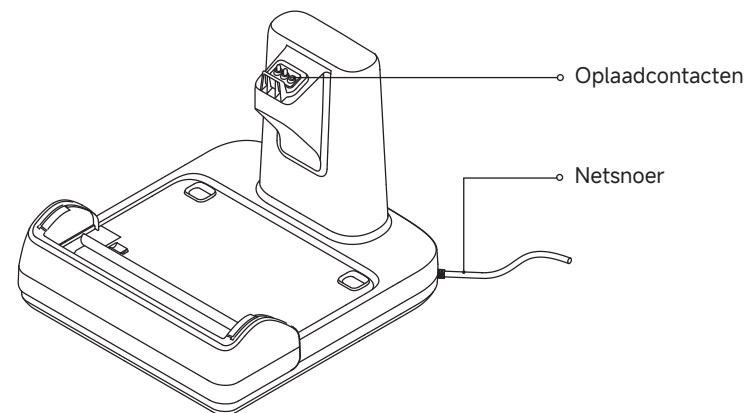


Reinigingsborstel

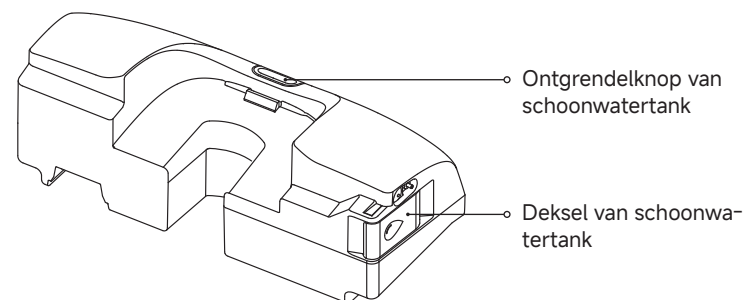
## Stofzuiger



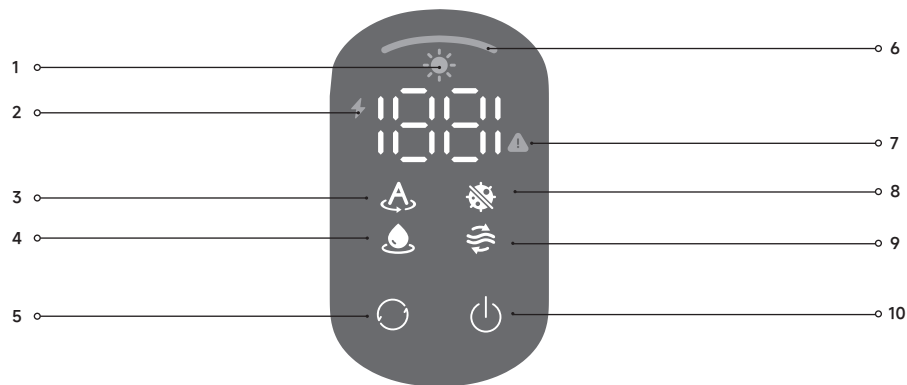
## Oplaadstation



## Schoonwatertank



## Weergavescherm

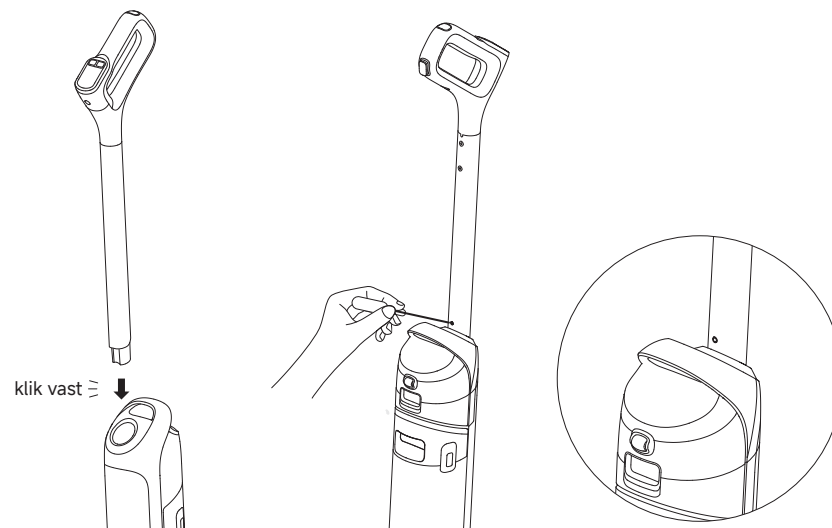


- |  |   |
|--|---|
| 1 Droogmodus                                     | 6 Indicator voor stofconcentratie<br>De kleur van de indicator verandert in realtime met de hoeveelheid stof. |
| 2 Indicator voor Batterij bijna leeg/<br>Opladen | 7 Foutmeldingen   |
| 3 Slimme modus                                   | 8 Ultramodus  |
| 4 Zuigmodus                                      | 9 Zelfreinigingsmodus   |
| 5 Modusschakelaar<br>Druk kort om te schakelen.  | 10 Aan/Uit-schakelaar<br>Druk kort om te starten/stoppen met reinigen.  |

Opmerking: Als het apparaat niet goed werkt, verschijnt er een foutmelding op het scherm. Raadpleeg de tabel "Foutmeldingen en oplossingen" om de oplossing te vinden.

## Installatie

Steek het uiteinde van het handvat verticaal in de opening aan de bovenkant van het toestel zoals aangegeven totdat u een klik hoort.



Opmerking: Om het apparaat te demonteren, steekt u een hard voorwerp in het gat van het apparaat zoals aangegeven om de contacten in te drukken en tegelijkertijd het handvat omhoog te trekken.

## Opladen

- Plaats het oplaadstation tegen een muur op een vlakke ondergrond en sluit het aan op een stroombron. Laad het apparaat volledig op voordat u het voor het eerst gebruikt.
- Plaats het apparaat op het oplaadstation. De batterij is volledig opgeladen wanneer het getal op het weergavescherm 100 bereikt.

### ⚡ Indicator voor opladen/batterij bijna leeg

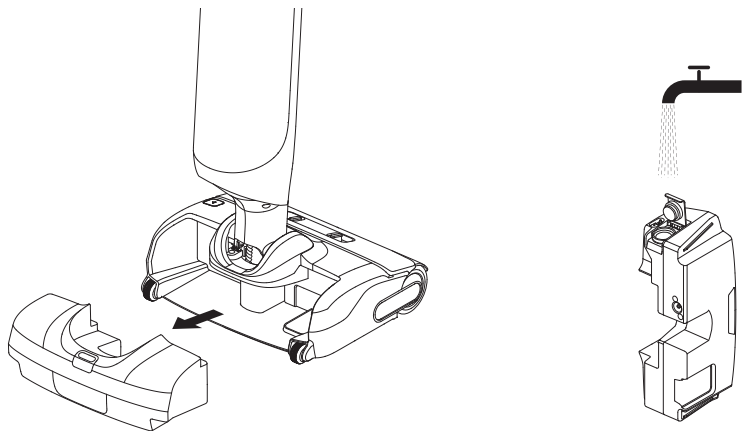
- Pulserend oranje: Batterijniveau ≤ 20% (opladen)
- Pulserend groen: Batterijniveau > 20% (opladen)
- Continu groen: Volledig opgeladen
- Continu oranje: Batterijniveau ≤ 20%

Opmerking:

- Als er binnen 10 minuten na volledig opladen geen bediening plaatsvindt, gaat de stofzuiger in de slaapstand. Start het apparaat opnieuw als u het moet gebruiken.
- Om de levensduur van de batterij te verlengen, koelt de batterij automatisch af nadat u het apparaat lange tijd heeft gebruikt.

### De schoonwatertank vullen

Druk op de ontgrendelknop van de schoonwatertank om de tank te verwijderen. Open het tankdeksel en vul de tank met schoon water. Installeer de schoonwatertank en zorg ervoor dat deze op zijn plaats vastklikt.



### Reinigingsmiddel toevoegen

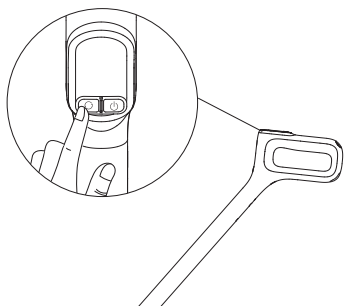
1. Verwijder de verzegeling vóór gebruik.
2. Meet het reinigingsmiddel af met de dop van de fles (\*ongeveer 10 ml/0.34 fl oz per dop).
3. Giet het in de schoonwatertank en schud voorzichtig voor gebruik om gelijkmatig te mengen.

Opmerking: Voeg geen andere vloeistoffen toe dan het officieel goedgekeurde reinigingsmiddel. Het reinigingsmiddel is verkrijgbaar in de officiële online-winkel.

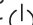
WAARSCHUWING: Om het gevaar op brand en elektrische schokken vanwege interne schade aan onderdelen te verminderen, gebruik alleen mova AWH10 reinigingsmiddel van Mova dat bedoeld is voor gebruik met dit apparaat.

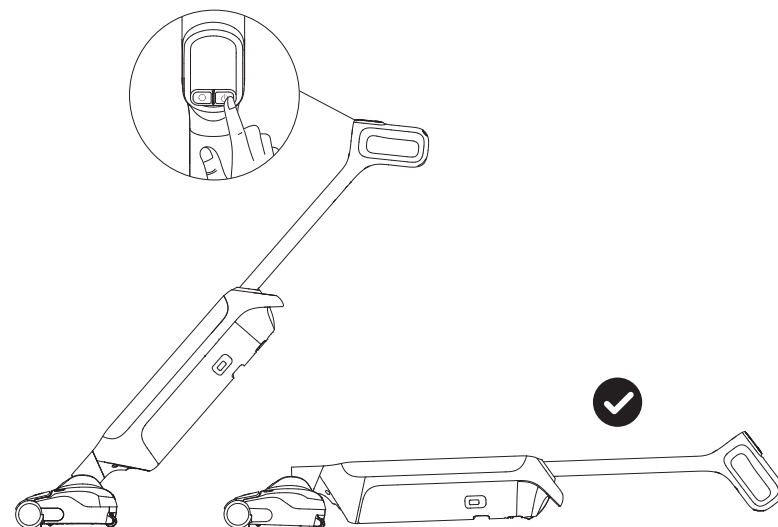
### Wisselen tussen modi

Druk op de modusschakelaar  om afhankelijk van uw behoeften van modus te wisselen.



### Beginnen met reinigen

Ga voorzichtig op de afdekking van de borstel staan en kantel het apparaat naar achteren. Druk op de Aan/Uit-schakelaar  om de werking te starten/stoppen. Als het apparaat zich tijdens het werk in de rechtopstaande positie bevindt, wordt de huidige taak onderbroken. Het apparaat is ontworpen om plat te liggen in een hoek van 180 graden, zodat het ook onder meubels met een laag profiel kan reiken en reinigen.

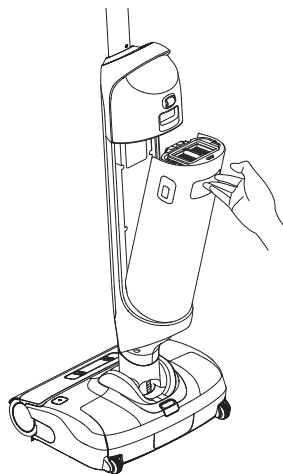


Opmerking:

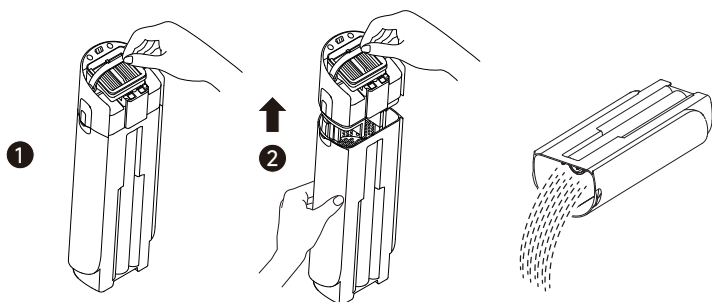
- Zuig geen schuimende vloeistoffen op.
- Zorg ervoor dat het apparaat rechtop wordt gezet voordat u de stroom uitgeschakeld.
- Het apparaat is geschikt voor het reinigen van vloeren, marmer, tegels en andere harde oppervlakken.
- Til het apparaat tijdens gebruik niet van de grond, verplaats het niet en kantel het niet. Anders kan het vuile water in de motor stromen.

### De vuilwatertank leegmaken



1. Druk op de ontgrendelknop van de vuilwatertank om de tank te verwijderen.

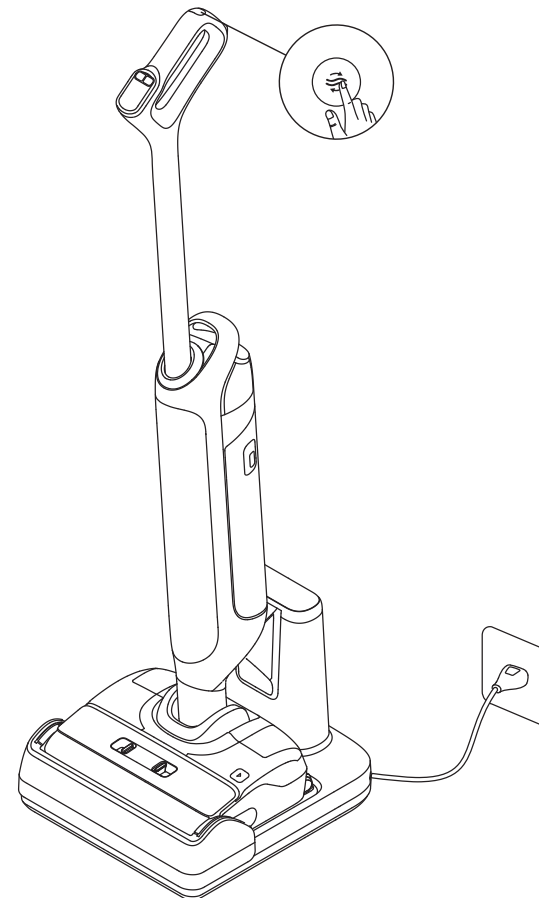


2. Trek de hendel van het deksel van de vuilwatertank omhoog, til het deksel eraf en giet het vuile water eruit.



### Zelfreinigen met heet water en droogmodus

1. Plaats het apparaat terug op het oplaadstation. Zorg dat het water in de schoonwatertank voldoende is om de zelfreiniging te starten.
2. Druk kort op de zelfreinigingsknop  bovenop het handvat om de zelfreiniging te starten/stoppen. Schakel over op de zelfreinigingsmodus met heet water volgens de gesproken aanwijzingen.
3. Maak de vuilwatertank leeg nadat de zelfreiniging is voltooid en de droogmodus is ingeschakeld. Druk op de knop  om de droogmodus te verlaten.



**Opmerking:**

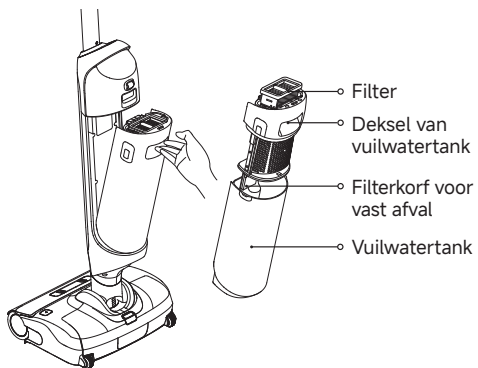
- Raak de borstelrol, het hete water of de verwarmingsmodule van het oplaadstation niet aan tijdens het zelfreinigen met heet water.
- De zelfreinigingsfunctie kan alleen worden ingeschakeld als het apparaat wordt opgeladen en het batterijniveau meer dan 20% bedraagt. Als het batterijniveau lager is, laad dan op tot 20% voordat u begint met zelfreiniging.

**Tips:**

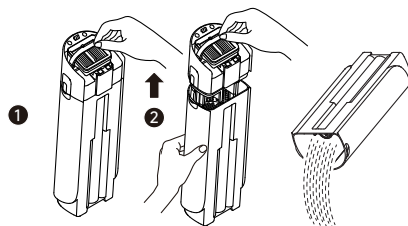
- Schakel het apparaat uit vóór het onderhoud. Raak de Aan/Uit-schakelaar niet aan.
- Vervang onderdelen indien nodig. De onderdelen moeten worden vervangen door onderdelen die bij de fabrikant of diens serviceagent verkrijgbaar zijn.
- Als het apparaat voor langere tijd niet wordt gebruikt, laad deze dan volledig op, haal de stekker uit het stopcontact en bewaar het apparaat in een koele, vochtarme omgeving uit de buurt van direct zonlicht. Om overontlading van de batterij te voorkomen dient u het apparaat ten minste eenmaal per 3 maanden op te laden.

**De vuilwatertank reinigen**

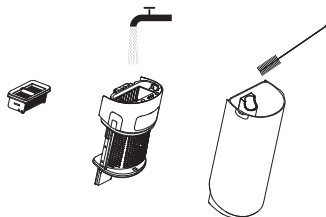
1. Druk op de ontgrendelknop van de vuilwatertank om de tank te verwijderen.



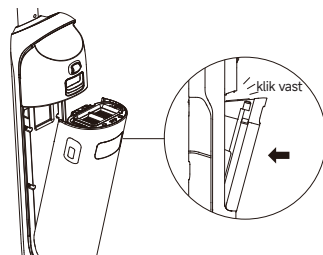
2. Trek de hendel van het deksel van de vuilwatertank omhoog, til het deksel eraf. Verwijder de filter uit het deksel.



3. Spoel de vuilwatertank en het deksel van de tank met water. Gebruik de meegeleverde reinigingsborstel om de binnenwanden van de tank schoon te maken.



4. Plaats het filter van het deksel van de vuilwatertank terug. Plaats dan de vuilwatertank terug totdat u een klik hoort.



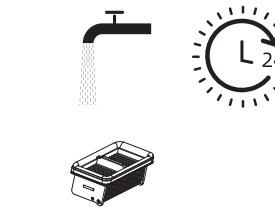
Opmerking: Het wordt aanbevolen om de vuilwatertank tijdig schoon te maken na elk gebruik, evenals vóór en na de zelfreiniging.

**Het filter schoonmaken**

1. Verwijder het filter en klop voorzichtig het zwevende stof van het oppervlak.



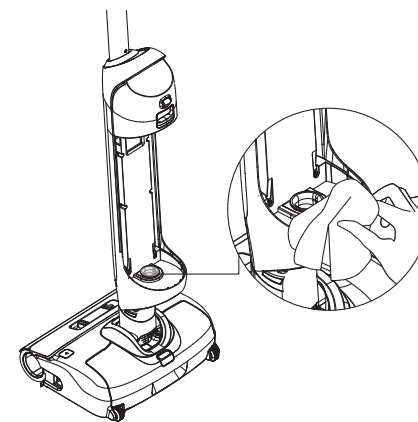
2. Wanneer het filter vuil is, spoel het dan met water af. Het moet volledig droog zijn voordat u het gebruikt.



Opmerking: Het wordt aanbevolen om het filter elke 3 tot 6 maanden te vervangen.

**De buis en de vuilsensor schoonmaken**

Verwijder de vuilwatertank. Veeg de buis en de vuilsensor vóór gebruik af met een natte doek.

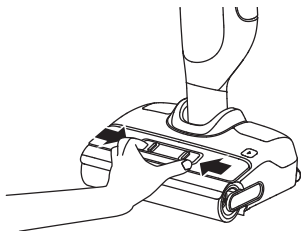


Opmerking: Spoel de buis of de vuilsensor niet af.

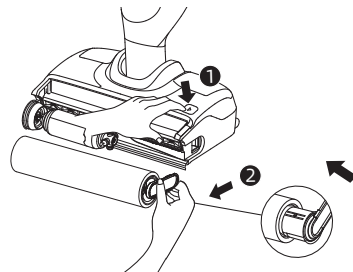
# Zorg en onderhoud

## De borstelconstructie schoonmaken

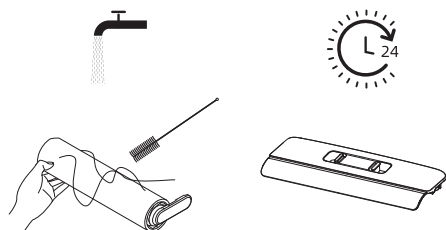
1. Druk op de ontgrendelingsknoppen van de afdekking van de borstelrol om de afdekking van de borstelrol te verwijderen.



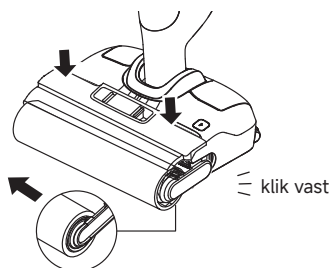
2. Druk op de ontgrendelknop van de borstelrol en trek aan de hendel om de borstelrol eruit te halen. Scheid de hendel van de borstelrol.



3. Verwijder met de meegeleverde reinigingsborstel haar en vuil dat op de borstelrol vastzit. Spoel de borstelrol af met schoon water en droog deze volledig.



5. Plaats de borstelrol en de afdekking van de borstelrol terug tot u een klik hoort.



### Opmerking:

- Spoel de borstelconstructie niet met water af.
- Maak schoon als dat nodig is. Het wordt aanbevolen om de borstelrol om de 3 tot 6 maanden te vervangen.
- Zorg ervoor dat de vuilwatertank verwijderd of leeg is voordat u het apparaat op zijn kant legt om de rolborstel te reinigen.

# Problemen oplossen

Als er een fout optreedt, stopt het apparaat met werken. Raadpleeg de volgende tabel voor het oplossen van problemen. Als het probleem aanhoudt, neem dan contact op met de klantenservice.

Fout	Mogelijke oorzaak	Oplossing
Het apparaat werkt niet.	De batterij van het apparaat is leeg of het batterijniveau is laag.	Laad de batterij vóór gebruik volledig op.
	Het apparaat staat rechtop.	Kantel het apparaat achterover.
	Een verstopping activeerde de beveiligingsmodus tegen oververhitting.	Verwijder de verstopping en wacht tot de temperatuur weer normaal is.
	De vuilwatertank is vol.	Maak de vuilwatertank leeg.
	De onderdelen zijn niet op hun plaats geïnstalleerd.	Zorg ervoor dat alle onderdelen goed op hun plaats zitten.
Het apparaat laadt langzaam op.	De temperatuur van de batterij is te laag of te hoog.	Wacht tot de temperatuur van de batterij weer normaal is.
De zuigkracht van het apparaat is zwak.	Het filter is verstopt.	Reinig het filter.
	De aanzuigopening of -slang is geblokkeerd door een vreemd voorwerp.	Reinig de slang en de aanzuigopening.
De motor maakt een raar geluid.	Er zit te veel vuil water in de vuilwatertank.	Maak de vuilwatertank leeg.
	De aanzuigopening is geblokkeerd.	Verwijder eventuele verstoppingen in de aanzuigopening.
De indicator voor het batterijniveau op het scherm licht niet op tijdens het opladen.	De stekker van het oplaadstation is niet goed in het stopcontact gestoken.	Zorg ervoor dat de stekker van het oplaadstation ingestoken is..
	Het apparaat is niet goed op het oplaadstation geplaatst.	Zorg ervoor dat het apparaat correct op het oplaadstation is geplaatst.

Er komt geen water uit het apparaat.	De schoonwatertank is niet goed op zijn plaats geïnstalleerd of er zit onvoldoende water in de schoonwatertank.	Installeer of vul de schoonwatertank opnieuw.
	Het duurt 30 seconden om de borstelrol te bevochtigen.	Schakel het apparaat in en controleer het na enige tijd opnieuw.
De ventilatieopening lekt water.	Een botsing of een stevige ruk veroorzaakt het binnendringen van water in de motor.	Beweeg het apparaat voorzichtig heen en weer terwijl het is ingeschakeld.
	Het filter is niet goed droog na reiniging.	Droog vóór gebruik het filter volledig af.
Zelfreiniging mislukt.	De borstelrol kan vastgelopen zijn door grote vuildeeltjes.	Verwijder het deksel van de borstelrol om de borstelrol te controleren en te reinigen.
	Het apparaat is niet goed op het oplaadstation geplaatst.	Zorg ervoor dat het apparaat wordt opgeladen voordat u de zelfreinigingsfunctie inschakelt.
	De zelfreiniging kan niet worden ingeschakeld als het batterijniveau lager dan 20% is.	Zelfreiniging kan alleen worden ingeschakeld als het apparaat wordt opgeladen en het batterijniveau meer dan 20% is.
	De vuilwatertank is vol.	Maak de vuilwatertank leeg.
	De schoonwatertank is niet op zijn plaats geïnstalleerd, of het water in de schoonwatertank is onvoldoende.	Installeer of vul de schoonwatertank opnieuw.
Slechte droogprestaties.	De luchtuitlaat en luchtinlaat van het oplaadstation kunnen mogelijk geblokkeerd zijn.	Controleer en verhelp de verstopping van de luchtuitlaat en luchtinlaat.

## Foutmeldingen en oplossingen

Als het apparaat niet goed werkt, verschijnt op het scherm een foutmelding. Raadpleeg de onderstaande tabel om de oplossing te vinden.

Foutcode	Mogelijke oorzaak	Oplossing
E1-E7	Fout	Start het apparaat opnieuw op om problemen op te lossen. Als het probleem aanhoudt, neem dan contact op met de klantenservice.
F1-F3		
H2/H3/H5/H6		

Stofzuiger			
Model	HMH15A	Nominaal vermogen	300 W
Nominale spanning	21,6 V ---	Oplaadspanning	27 V ---
Capaciteit van schoonwatertank	800 mL	Capaciteit van vuilwatertank	700 mL
Oplaadtijd	Ongeveer 4 uur		
Oplaadstation			
Model	HCBX	Nominaal ingangsvermogen*	650 W
Nominale ingang	220-240 V ~ 50-60 Hz	Nominaal uitgang	27 V ---, 1,6 A
Bescherming tegen schadelijk binnendringen van water		IPX1	

\* Het nominale ingangsvermogen verwijst naar het gemeten vermogen tijdens een representatieve cyclus voor het inschakelen van de droogmodus.

## Weggoien en verwijderen van batterijen

De ingebouwde lithium-ionbatterijpakket bevat stoffen die gevaarlijk zijn voor het milieu. Voordat u de batterij weggooit, moet u ervoor zorgen dat de batterij door gekwalificeerde technici wordt verwijderd en bij een geschikt recyclingbedrijf wordt ingeleverd.

- de batterij moet uit het toestel worden verwijderd voordat deze wordt afgedankt;
- bij het verwijderen van de batterij moet het apparaat van de stroomvoorziening worden losgekoppeld;
- de batterij moet veilig worden weggegooid.

### VOORZICHTIG:

- Voordat u de batterij verwijdert, moet u de stroom uitschakelen en de batterij zoveel mogelijk leeg laten lopen.
- Niet noodzakelijke batterijen moeten worden ingeleverd bij een geschikt recyclingbedrijf.
- Stel niet bloot aan een omgeving met hoge temperaturen om explosiegevaar te voorkomen.
- Onder extreme omstandigheden kan er vloeistof uit de batterij lekken. Bij aanraking, spoel met water en zoek medische hulp.

### Verwijderingsgids

1. Verwijder het handvat door het hoofdstuk Installatie te raadplegen.
2. Gebruik een geschikt gereedschap om de decoratieve afdekkingen aan de bovenkant en de behuizing van het apparaat te verwijderen.
3. Verwijder de vuilwatertank en gebruik een schroevendraaier om alle bevestigingsschroeven uit de behuizing te verwijderen.
4. Verwijder de bevestigingsschroeven van de afdekking aan de voorkant van het apparaat. Verwijder de afdekking.
5. Verwijder de afdekking van de hoofdbesturingskaart, maak de verbindingkabels van het batterijpakket los en verwijder de batterij uit de batterijconstructie.

# Instruções de segurança importantes

Leia atentamente este manual antes de utilizar o produto e guarde-o para referência futura. Ao utilizar um aparelho elétrico, devem ser sempre respeitadas as precauções básicas, incluindo as seguintes:

**LEIA TODAS AS INSTRUÇÕES ANTES DE UTILIZAR ESTE APARELHO.** O não cumprimento dos avisos e instruções pode resultar em choque elétrico, incêndio e/ou ferimentos graves.

**AVISO** — Para reduzir o risco de incêndio, choque elétrico ou ferimentos:

## Restrições de utilização

- Este produto não deve ser utilizado por crianças com menos de 8 anos de idade nem por pessoas com deficiências físicas, sensoriais, intelectuais, ou com experiência ou conhecimentos limitados sem a supervisão de um progenitor ou tutor para garantir um funcionamento seguro e para evitar quaisquer riscos. A limpeza e a manutenção não devem ser efetuadas por crianças sem supervisão.
- As películas de plástico podem ser perigosas. Para evitar o perigo de asfixia, mantenha-a afastada das crianças. As crianças não devem brincar com este aparelho.
- Use apenas no interior, em superfícies de chão não alcatifadas, como vinil, azulejo, madeira impermeabilizada, etc. Tenha cuidado para não passar por cima de objetos soltos ou das extremidades de tapetes. O bloqueio da escova pode resultar numa falha prematura da correia.
- Use apenas como descrito neste manual do utilizador. Use apenas os acessórios recomendados pelo fabricante.
- Não exponha o aparelho ao fogo ou a temperaturas excessivas. A exposição ao fogo ou a temperaturas excessivas pode provocar uma explosão.
- Não utilize em ambientes extremamente quentes ou frios (abaixo de 5 °C/41 °F ou acima de 40 °C/104 °F). Carregue o aparelho a uma temperatura superior a 5 °C/41 °F e abaixo de 40 °C/104 °F.
- Não mergulhe o aparelho em líquido.
- Não use para apanhar líquidos inflamáveis ou combustíveis, como gasolina. Não use em áreas onde possam estar presentes líquidos inflamáveis ou combustíveis.
- Não coloque nenhum objeto nas aberturas. Não utilize o aparelho quando qualquer das suas aberturas estiver bloqueada. Mantenha-o livre de pó, algodão, cabelos e tudo o que possa inibir o fluxo de ar.
- Não recolha materiais tóxicos (lixívia com cloro, amoníaco, desentupidor de canos, etc.). Não apanhe objetos duros ou afiados, como vidros, pregos, parafusos, moedas, etc.
- Não use o aparelho num espaço fechado cheio de vapores de tintas à base de óleo, diluente, algumas substâncias antitraça, poeiras inflamáveis ou outros vapores explosivos ou tóxicos. Não apanhe nada que esteja a arder ou a fumar, como cigarros, fósforos ou cinzas quentes.
- Não utilize o aparelho sem os filtros colocados.
- Mantenha o cabelo, a roupa larga, os dedos e todas as partes do corpo afastados das aberturas e das peças móveis do aparelho e dos seus acessórios.
- Mantenha os cabos elétricos afastados do aparelho durante a sua utilização. Pode ocorrer um perigo se o aparelho passar por cima de um cabo de alimentação.
- Tenha muito cuidado ao limpar escadas.

# Instruções de segurança importantes


## Manutenção e armazenamento

- Proteja-se contra um arranque involuntário. Certifique-se de que o interruptor está na posição OFF (Desligado) antes de pegar ou transportar o aparelho. Transportar o aparelho com o dedo no interruptor ou ligar o aparelho durante o transporte, pode provocar um acidente.
- Certifique-se de que o aparelho é colocado numa superfície horizontal. Não use o aparelho na mesma posição se ele estiver equipado com um rolo de escovas e a pega não estiver completamente na vertical. Não guarde o aparelho num local onde possa congelar.
- Desligue e retire a ficha da tomada quando não estiver a ser utilizado, antes de proceder à limpeza, manutenção ou conservação do aparelho e antes de o ligar ou desligar com uma escova em movimento.
- Não use um aparelho que esteja danificado ou que tenha sofrido alterações. Um aparelho danificado ou transformado pode apresentar um comportamento imprevisível, resultando em incêndio, explosão ou risco de ferimentos.
- Não modifique nem tente reparar o aparelho, exceto conforme indicado nas instruções de utilização e de cuidados a ter com o mesmo.
- Não utilize o aparelho com um acessório danificado (por exemplo: base de carregamento, cabo de alimentação, etc.). Se o aparelho tiver caído ou tiver sido danificado, se tiver sido deixado ao ar livre ou imerso em água ou se não estiver a funcionar como deveria, nunca o tente utilizar. Mande-o reparar num centro de assistência autorizado.
- A assistência técnica deve ser efetuada por um técnico qualificado, utilizando apenas peças de substituição idênticas. Isto garantirá a manutenção da segurança do aparelho.

## Bateria e carregamento

- Para recarregar o aparelho, utilize apenas a base de carregamento fornecida com o mesmo. Utilize apenas com a base de carregamento HCBX.
- Siga todas as instruções de carregamento e não carregue o aparelho fora do intervalo de temperatura especificado na bateria, uma vez que isso aumenta o risco de incêndio.
- A base de carregamento está equipada com uma função de secagem que só é adequada para secar a escova deste aparelho.
- Mantenha o cabo da base de carregamento afastado de superfícies aquecidas. Não pegue na ficha da base de carregamento ou no aparelho com as mãos molhadas. Para desligar, agarre na ficha da base de carregamento e não no cabo.
- Não puxe nem transporte o adaptador pelo cabo, não utilize o cabo como pega, não feche a porta sobre ele nem o puxe à volta de esquinas ou cantos afiados.
- Não utilize qualquer bateria não recarregável. O não cumprimento desta determinação, pode provocar um incêndio na bateria de iões de lítio. Este produto contém baterias que só podem ser substituídas por técnicos qualificados ou pelo serviço pós-venda.
- A bateria de iões de lítio contém substâncias que são perigosas para o ambiente. Antes de eliminar o aparelho, retire primeiro a bateria, depois descarte-a ou recicle-a de acordo com as leis e regulamentos locais do país ou região em que é utilizada.

# Instruções de segurança importantes

- Para retirar a bateria, deve desligar o aparelho da rede elétrica. Mantenha as pilhas fora do alcance das crianças. Nunca ponha as pilhas na boca. Em caso de ingestão, contacte o seu médico ou a unidade local de controlo de envenenamentos.
- Em condições de uso abusivo, nunca se coloque em contacto com a bateria, da qual pode ser expelido líquido. Se ocorrer um contacto accidental, lave com água. Se o líquido entrar em contacto com os olhos, procure imediatamente ajuda médica. O líquido ejetado da bateria pode causar irritação ou queimaduras.
- A base de carregamento é capaz de carregar a bateria de 6 células de 4000 mAh. Esta base de carregamento não deve ser utilizada para carregar pilhas não recarregáveis. O não cumprimento desta determinação, pode provocar um incêndio na bateria de íões de lítio.
- A base de carregamento está marcada com um ícone  que indica "Cuidado: superfície quente." Não toque no rolo de escova, na água quente ou no módulo de aquecimento da base de carregamento durante a autolimpeza com água quente.
- As instruções para aparelhos com um sistema de distribuição de líquidos especificam a quantidade e o tipo de líquido a utilizar (IEC 60335-2-10).

## Símbolos



Equipamento de Classe II



Elo fusível miniatura com desfasamento temporal em que T 3,15A é o símbolo da característica tempo/corrente



Apenas para utilização no interior



Leia o manual do operador



Cuidado: superfície quente



Informação sobre o REEE

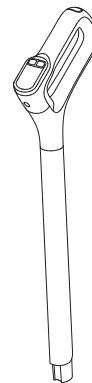
Todos os produtos com este símbolo são resíduos de equipamentos elétricos e eletrónicos (REEE, como especificado na Diretiva 2012/19/UE) que não devem ser misturados com resíduos domésticos não selecionados. Em vez disso, deve proteger a saúde humana e o ambiente, entregando os seus resíduos de equipamentos num ponto de recolha designado para a reciclagem de resíduos de equipamentos elétricos e eletrónicos, designado pelo governo ou pelas autoridades locais. A eliminação e reciclagem corretas ajudarão a prevenir potenciais consequências negativas para o ambiente e a saúde humana. Por favor, contacte o instalador ou as autoridades locais para mais informações sobre o local, bem como sobre os termos e condições desses pontos de recolha.

Nós, a Dreame Trading (Tianjin) Co., Ltd., declaramos por este meio que este equipamento está em conformidade com as Diretivas e Normas Europeias aplicáveis e respetivas alterações. O texto completo da declaração de conformidade da UE está disponível no seguinte endereço de Internet: [www.mova-tech.com](http://www.mova-tech.com)

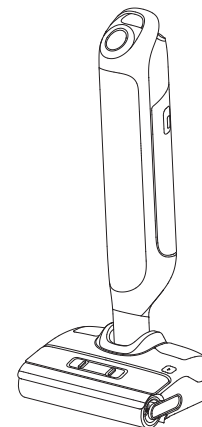
Para obter o manual eletrónico pormenorizado, consulte <https://www.mova-tech.com/pages/user-manuals-and-faqs>

# Visão geral do produto

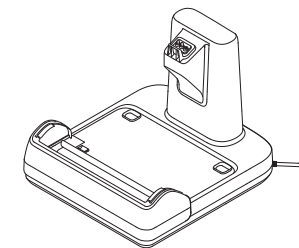
## Lista da Embalagem



Pega



Corpo principal



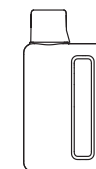
Base de carregamento



Filtro de substituição



Rolo de escova sobresselente



Solução de limpeza



Escova de limpeza

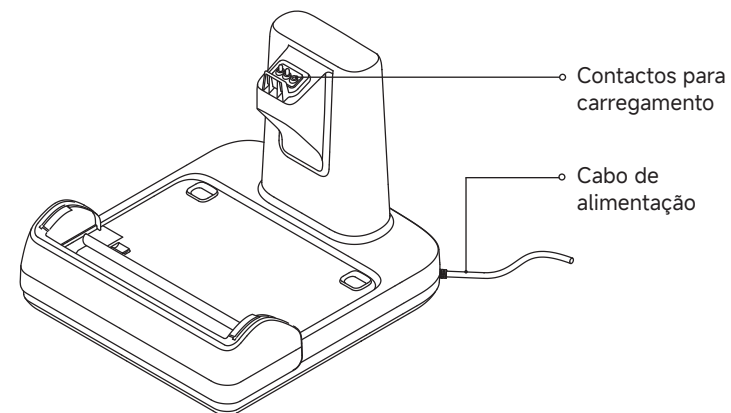
# Visão geral do produto

## Aspiração

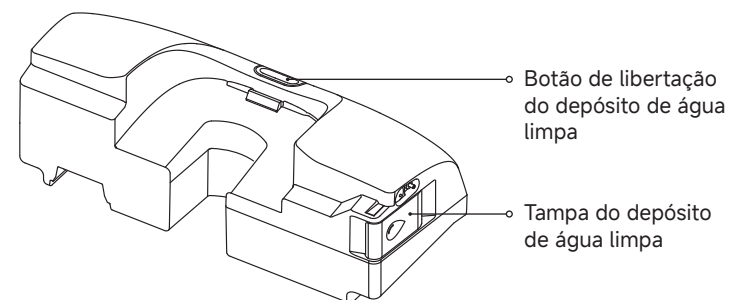


# Visão geral do produto

## Base de carregamento

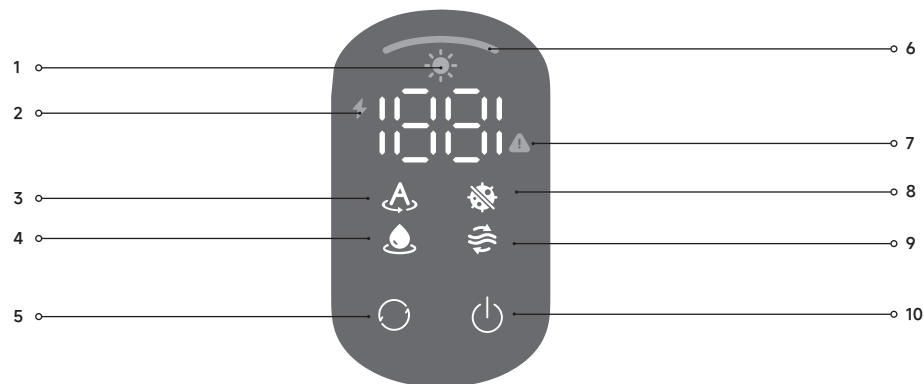


## Depósito de água limpa



# Visão geral do produto

## Visor

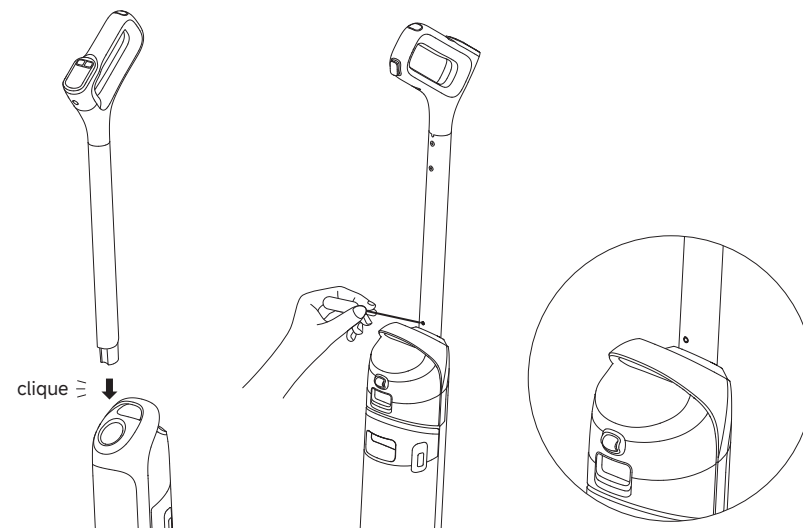


- |   |   |    |  |
|---|---|----|--|
| 1 | Modo de secagem                                     | 6  | Indicador de concentração de pó<br>A cor do indicador muda com a quantidade de sujidade em tempo real. |
| 2 | Indicador de carregamento/bateria fraca             | 7  | Mensagens de erro  |
| 3 | Modo inteligente                                    | 8  | Modo Ultra   |
| 4 | Modo de aspiração                                   | 9  | Modo de autolimpeza  |
| 5 | Interruptor de modo<br>Prima brevemente para mudar. | 10 | Interruptor de alimentação<br>Prima brevemente para iniciar/parar a limpeza.                           |

Nota: se o aparelho não estiver a funcionar corretamente, o ecrã apresentará uma mensagem de erro. Consulte a tabela de Avisos de erro e Soluções para encontrar a sua solução.

# Instalação

Introduza a extremidade do cabo verticalmente na porta situada na parte superior do aparelho, como indicado, até ouvir um clique.



Nota: para desmontar, introduza um objeto duro no orifício do aparelho, como indicado, para pressionar os contactos e puxe a pega para cima ao mesmo tempo.

## Carregamento

1. Coloque a base de carregamento contra uma parede num terreno plano e ligue-a a uma fonte de alimentação. Carregue totalmente o aparelho antes da primeira utilização.
2. Coloque o aparelho sobre a base de carregamento. A bateria está totalmente carregada quando o número no ecrã de visualização atingir 100.

### ⚡ Indicador de carga/bateria fraca

- Laranja pulsante: Nível da bateria ≤ 20% (a carregar)
- Verde a pulsar: Nível da bateria > 20% (a carregar)
- Verde fixo: Carregado por completo
- Luz cor de laranja fixa: Nível da bateria ≤ 20%

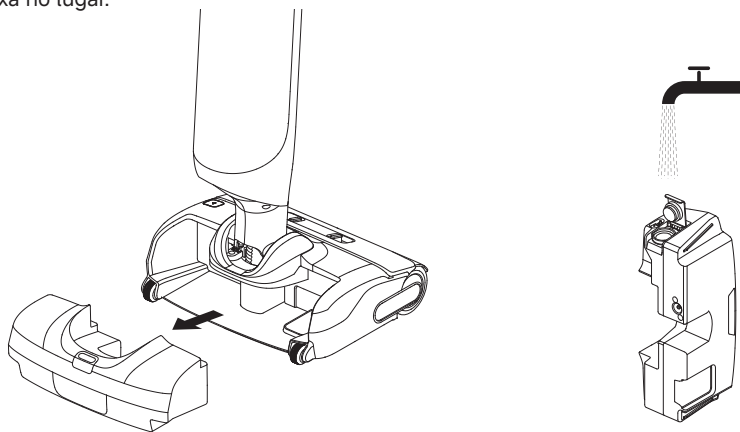
Nota:

- Se não ocorrer qualquer operação durante 10 minutos após o carregamento completo, o aspirador entrará no modo de suspensão. Reinicie o aparelho se precisar de o utilizar.
- Para prolongar a vida útil da pilha, esta arrefece automaticamente depois de ter utilizado o aparelho durante muito tempo.

# Como utilizar

## Encher o depósito de água limpa

Prima o botão de libertação do depósito de água limpa e retire o depósito. Abra a tampa do depósito e encha-o com água limpa. Instale o depósito de água limpa e certifique-se de que encaixa no lugar.



## Adicionar líquido de limpeza

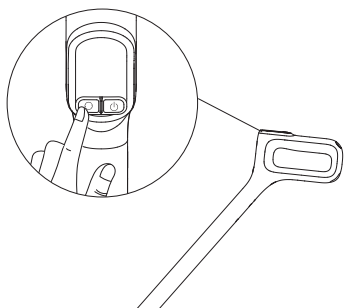
1. Retire o selo antes de utilizar.
2. Meça o produto de limpeza do pavimento com a tampa do frasco (\*aproximadamente 10 ml/0,34 fl oz por tampa).
3. Deite-o no depósito de água limpa e agite-o suavemente para misturar uniformemente antes de o utilizar.

Nota: não adicione qualquer outro líquido para além do produto de limpeza oficialmente aprovado. O produto de limpeza pode ser adquirido na loja online oficial.

AVISO: para reduzir o risco de incêndio e de choque elétrico devido a danos nos componentes internos, utilize apenas o líquido de limpeza da Mova AWH10 destinado a ser utilizado com o aparelho.


## Mudança de modo

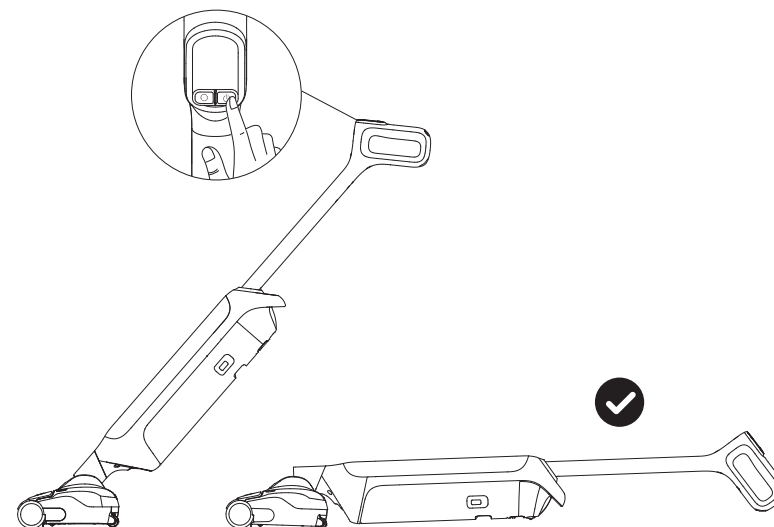
Prima o interruptor de modo  para mudar de modo de acordo com as suas necessidades.



# Como utilizar

## Iniciar a limpeza

Pise suavemente a tampa da escova e recline o aparelho para trás. Prima o botão de alimentação  para iniciar/parar o funcionamento. Se o aparelho estiver na posição vertical durante o trabalho, a tarefa em curso será suspensa. O aparelho foi concebido para se deitar num ângulo de 180 graus, permitindo-lhe alcançar e limpar debaixo dos móveis mais baixos.



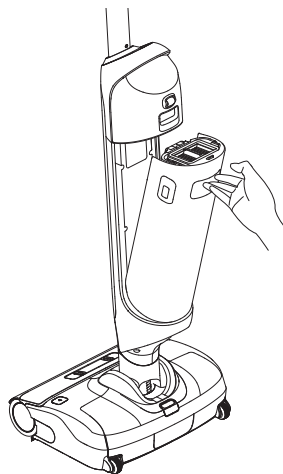
Nota:

- Não aspire líquidos com espuma.
- Certifique-se de que o aparelho está na posição vertical antes de o desligar quando estiver deitado.
- O aparelho é adequado para a limpeza de pavimentos, mármore, azulejos e outras superfícies duras.
- Quando o aparelho estiver em funcionamento, não o levante do chão, não o desloque nem o incline. Caso contrário, a água usada pode escorrer para o motor.

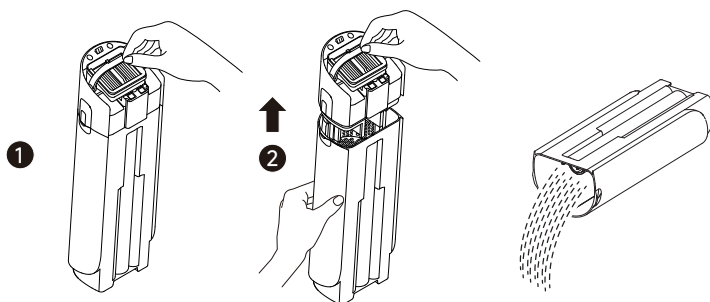
# Como utilizar

## Esvaziar o depósito de água usada

1. Prima o botão de libertação do depósito de água usada e retire o depósito.





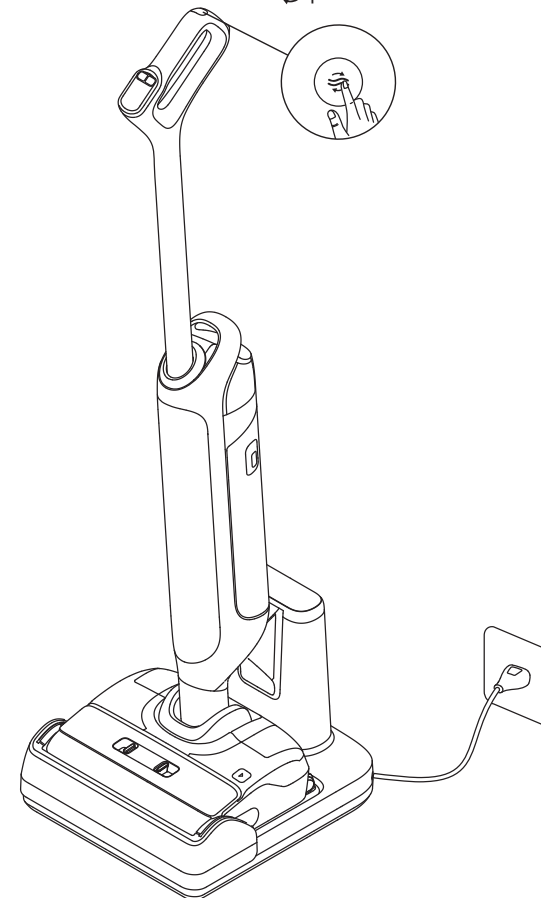
2. Puxe para cima a pega da tampa do depósito de água usada, levante a tampa e deite fora a água suja.



# Como utilizar

## Autolimpeza com água quente e modo de secagem

1. Volte a colocar o aparelho na base. Certifique-se de que a água no depósito de água limpa é suficiente para a autolimpeza.
2. Prima brevemente o botão de autolimpeza  na parte superior da pega para iniciar/parar a autolimpeza. Mude o modo de autolimpeza com água quente de acordo com as instruções de voz.
3. Esvazie o depósito de água usada depois de a autolimpeza estar concluída e o modo de secagem ter sido iniciado. Prima o botão  para sair do modo de secagem.



### Nota:

- Não toque no rolo de escova, na água quente ou no módulo de aquecimento da base de carregamento durante a autolimpeza com água quente.
- A função de autolimpeza só pode ser ativada quando o aparelho está a ser carregado e o nível da bateria é superior a 20%. Se o nível da bateria for inferior, carregue-a até 20% antes de iniciar a autolimpeza.

# Cuidados e manutenção

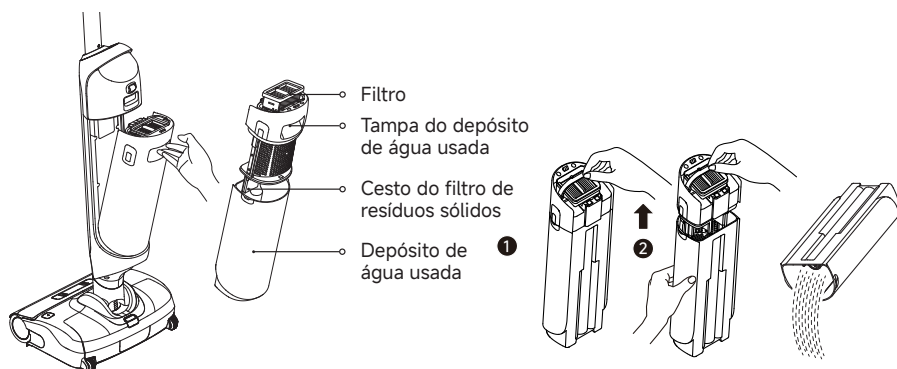
## Sugestões:

- Desligue o aparelho antes da manutenção. Não toque no interruptor de alimentação.
- Substitua as peças, se necessário. As peças devem ser substituídas pelas que se encontram disponíveis no fabricante ou no seu agente de assistência.
- Se o aparelho não for utilizado durante um longo período de tempo, carregue-o completamente, desligue a ficha de alimentação e guarde-o num ambiente fresco e com pouca humidade, longe da luz solar direta. Para evitar a descarga excessiva da bateria, carregue o aparelho pelo menos uma vez a cada 3 meses.

## Limpeza do depósito de água usada

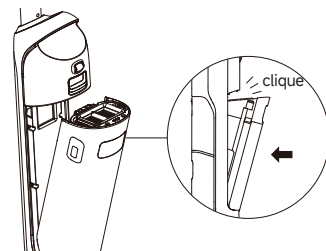
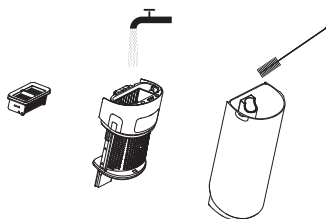
1. Prima o botão de libertação do depósito de água usada e retire o depósito.

2. Puxe para cima a pega da tampa do depósito de água usada e levante a tampa. Retire o filtro da tampa.



3. Lave o depósito de água usada e a tampa do depósito com água. Utilize a escova de limpeza fornecida para limpar as paredes interiores do depósito.

4. Volte a instalar o filtro e a tampa do depósito de água usada. Em seguida, volte a instalar o depósito de água usada até ouvir um clique.



Nota: recomenda-se que limpe o depósito de água usada atempadamente após cada utilização, bem como antes e depois da autolimpeza.

# Cuidados e manutenção

## Limpeza do filtro

1. Retire o filtro e elimine com cuidado o pó que flutua à superfície.

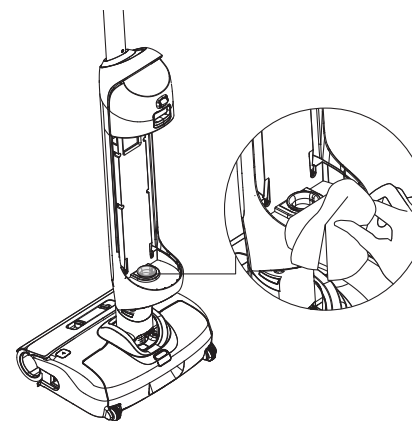
2. Quando o filtro estiver sujo e precisar de ser lavado, passe-o por água. Deve estar completamente seco antes de o utilizar.



Nota: recomenda-se a substituição do filtro a cada 3 a 6 meses.

## Limpeza do tubo e do sensor de sujidade

Retire o depósito de água usada. Limpe o tubo e o sensor de sujidade com um pano húmido antes de o utilizar.

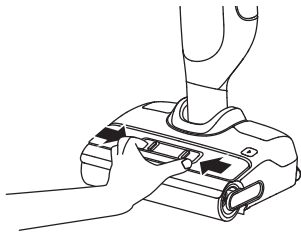


Nota: não enxague o tubo ou o sensor de sujidade.

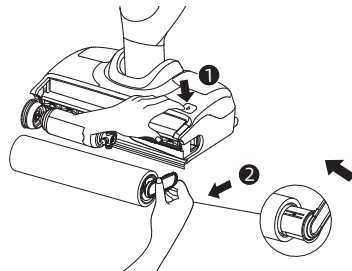
# Cuidados e manutenção

## Limpar o conjunto da escova

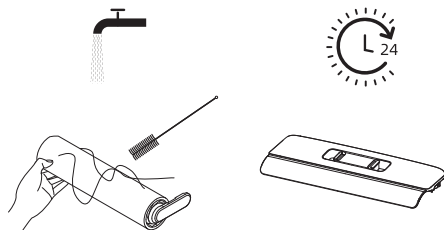
1. Prima os botões de libertação da tampa do rolo de escova para retirar a tampa do mesmo.



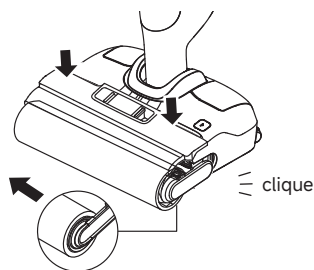
2. Prima o botão de libertação do rolo de escova e puxe a pega para o retirar. Separe a pega do rolo de escova.



3. Limpe os cabelos e os detritos presos no rolo de escova com a escova de limpeza fornecida. Enxague o rolo de escova e a tampa com água limpa e seque-os completamente.



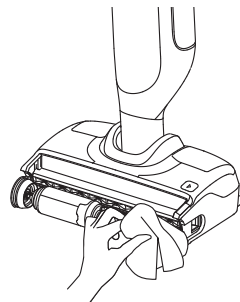
5. Volte a instalar o rolo de escova e a tampa respetiva até ouvir um clique.



Nota:

- Não enxague o conjunto da escova com água.
- Limpe conforme necessário. Recomenda-se a substituição do rolo de escova a cada 3 a 6 meses.
- Certifique-se de que o reservatório de água usada foi retirado ou esvaziado antes de deitar o aparelho de lado para limpar o rolo de escova.

4. Limpe a entrada de sucção com um pano seco ou um pano húmido.



# Resolução de problemas

Se ocorrer um erro, o aparelho deixará de funcionar. Consulte a tabela seguinte para a resolução de problemas. Se o problema persistir, contacte o serviço de apoio ao cliente.

Erro	Possível causa	Solução
O aparelho não funciona.	O aparelho está sem bateria ou o nível da bateria está baixo.	Carregue totalmente a bateria antes de utilizar.
	O aparelho está na posição vertical.	Recline o aparelho para trás.
	O bloqueio ativou o modo de proteção contra sobreaquecimento.	Elimine o entupimento e aguarde até que a temperatura volte ao normal.
	O depósito de água usada está cheio.	Esvazie o depósito de água usada.
	As peças não estão instaladas no lugar.	Certifique-se de que todas as peças estão corretamente colocadas.
O carregamento do aparelho é lento.	A temperatura da bateria é demasiado baixa ou demasiado alta.	Aguarde até que a temperatura da bateria volte ao normal.
O poder de sucção do aparelho é fraco.	O filtro está entupido.	Limpe o filtro.
	A entrada de sucção ou o tubo estão bloqueados por um objeto estranho.	Limpe o tubo e a entrada de aspiração.
O motor está a fazer um ruído estranho.	Há demasiada água usada no depósito respetivo.	Esvazie o depósito de água usada.
	A entrada de aspiração está bloqueada.	Elimine qualquer obstrução existente na entrada de aspiração.
O indicador do nível da bateria no ecrã do visor não se acende durante o carregamento.	A ficha da base de carregamento não está corretamente inserida na tomada elétrica.	Certifique-se de que a ficha da base de carregamento está inserida no lugar.
	O aparelho não está colocado corretamente na base de carregamento.	Certifique-se de que o aparelho está corretamente colocado na base de carregamento.
Não sai água do aparelho.	O depósito de água limpa não está corretamente instalado no local, ou a água nele contida é insuficiente	Volte a instalar ou encha o depósito de água limpa.
	Demora 30 segundos a humedecer o rolo de escova.	Ligue o aparelho e verifique novamente após algum tempo.

## Resolução de problemas

O respiradouro tem uma fuga de água.	Uma colisão ou um puxão brusco provoca a entrada de água no motor.	Quando ligado, mova o aparelho suavemente para a frente e para trás.
	O filtro não ficou completamente seco depois de ter sido limpo.	Seque completamente o filtro antes de o utilizar.
A autolimpeza falha.	O rolo de escova pode estar encravado com detritos grandes.	Abra a tampa do rolo de escova para verificar e limpar o mesmo.
	O aparelho não está colocado corretamente na base de carregamento.	Certifique-se de que o aparelho está a ser carregado antes de ativar a função de autolimpeza.
	A autolimpeza não pode ser ativada se o nível da bateria for inferior a 20%.	A função de autolimpeza só pode ser ativada quando o aparelho está a ser carregado e o nível da bateria é superior a 20%
	O depósito de água usada está cheio.	Esvazie o depósito de água usada.
	O depósito de água limpa não está instalado no lugar ou a água nele contida é insuficiente	Volte a instalar ou encha o depósito de água limpa.
Fraco desempenho de secagem.	A saída de ar e a entrada de ar da base de carregamento podem estar bloqueadas.	Verifique e elimine o entupimento da saída e da entrada de ar.

## Avisos de erro e soluções

Se o aparelho não estiver a funcionar corretamente, o ecrã apresenta uma mensagem de erro. Consulte a tabela abaixo para encontrar a sua solução.

Código de erro	Possível causa	Solução
E1-E7	Erro	Reinicie o aparelho para resolução de problemas. Se o problema persistir, contacte o serviço de apoio ao cliente.
F1-F3		
H2/H3/H5/H6		

## Especificações

Aspiração			
Modelo	HMH15A	Potência nominal	300 W
Tensão nominal	21,6 V ---	Tensão de carregamento	27 V ---
Capacidade do depósito de água limpa	800 mL	Capacidade do depósito de água usada	700 mL
Tempo de carregamento	Aproximadamente 4 horas		
Base de carregamento			
Modelo	HCBX	Entrada de potência nominal*	650 W
Entrada nominal	220-240 V ~ 50-60 Hz	Saída nominal	27 V --- 1,6 A
Proteção contra a entrada prejudicial de água		IPX1	

## Eliminação e remoção da bateria

\* A potência nominal de entrada refere-se à potência medida durante um ciclo representativo para entrar no modo de secagem.

A bateria de íões de lítio incorporada contém substâncias que são perigosas para o ambiente. Antes de eliminar a bateria, certifique-se de que a bateria é removida por técnicos qualificados e eliminada numa instalação de reciclagem apropriada.

- a pilha deve ser retirada do aparelho antes de este ser desmontado;
- o aparelho deve ser desligado da rede de alimentação ao retirar a bateria;
- a bateria deve ser eliminada de forma segura.

### CUIDADO:

- Antes de remover a bateria, desligue a alimentação e esgote a bateria o mais possível.
- As baterias que já não são necessárias devem ser descartadas numa instalação de reciclagem apropriada.
- Não exponha a ambientes com altas temperaturas para evitar riscos de explosão.
- Em condições de uso abusivo, pode ser ejetado líquido da bateria. Se ocorrer contacto, enxague com água e procure ajuda médica.

### Guia de remoção

1. Retire a pega, consultando a secção de Instalação.
2. Utilize uma ferramenta adequada para retirar as tampas decorativas da parte superior e do corpo do aparelho.
3. Retire o depósito de água usada e, com uma chave de fendas, retire todos os parafusos de fixação do corpo.
4. Retire os parafusos de fixação da tampa frontal do aparelho. Retire a tampa.
5. Retire a tampa da placa de controlo principal, desligue os cabos de ligação do conjunto de baterias e retire a bateria do mesmo.