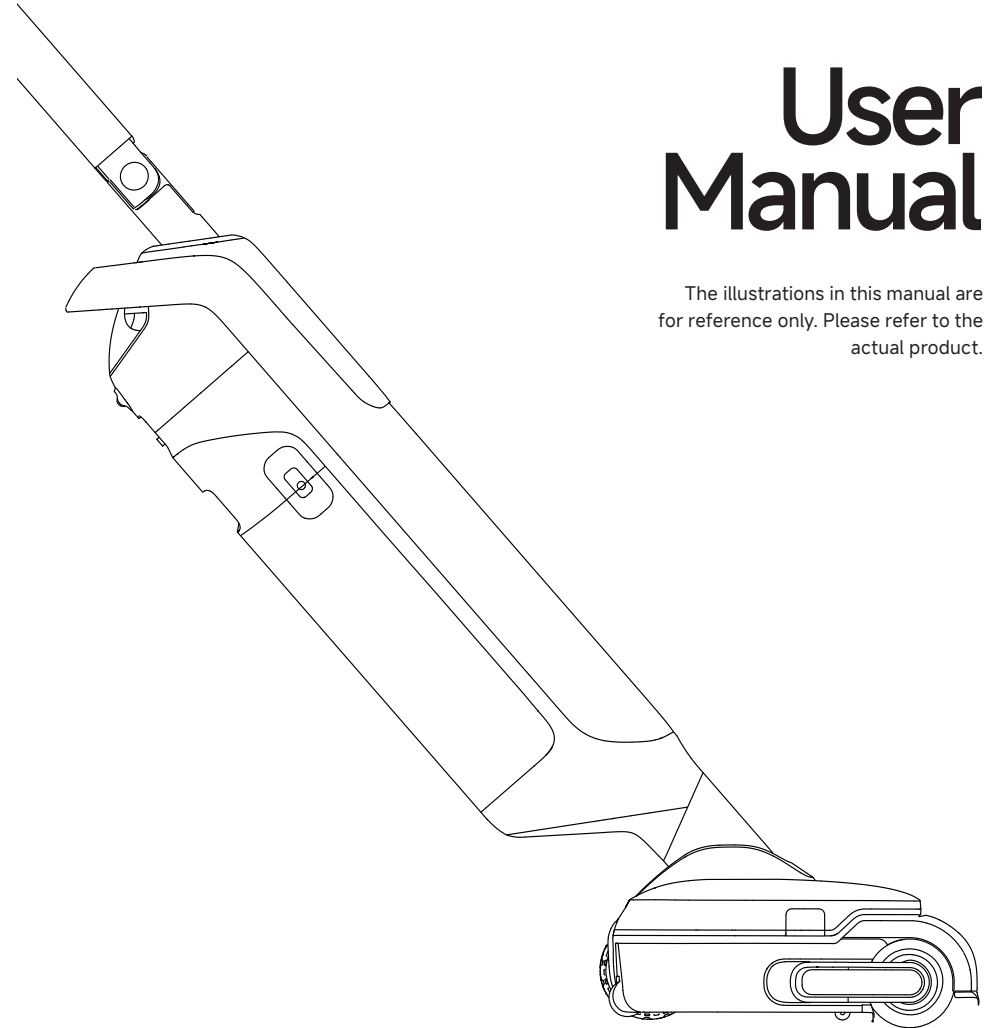


M50 Ultra

Wet and Dry Vacuum

User Manual

The illustrations in this manual are for reference only. Please refer to the actual product.



EU-A02



Website:
www.mova-tech.com
Manufactured by:
XingKuang Innovation Technology (Suzhou) Co., Ltd.
Address:
12th Floor, Building 2, Wisdom Valley Park, Suzhou
(Taihu) Software Industrial Park, No. 1463 Wuzhong
Avenue, Yuexi Street, Wuzhong Economic Development
Zone, Suzhou, Jiangsu Province, P.R. China

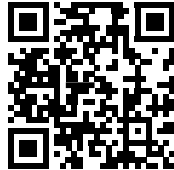
Made in China

MOVA

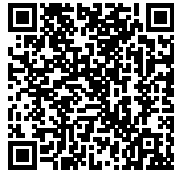
THANK YOU

For purchasing this
wet and dry vacuum.

For more product information,
please visit www.mova-tech.com



The high-quality product is engineered
for optimal performance.
If you have any questions on the product,
please contact us:
<https://global.mova-tech.com/pages/contact-us>



CONTENTS

EN	User Manual	01
DE	Benutzerhandbuch	23
FR	Mode d'emploi	45
IT	Manuale dell'utente	67
ES	Manual de usuario	89
NL	Gebruikershandleiding	111
PT	Manual do utilizador	133

Important Safety Instructions

Please read this manual carefully before use and retain it for future reference.

When using an electrical appliance, basic precautions should always be followed, including the following:

READ ALL INSTRUCTIONS BEFORE USING (THIS APPLIANCE). Failure to follow the warnings and instructions may result in electric shock, fire and/or serious injury.

WARNING — To reduce the risk of fire, electric shock, or injury:

Usage Restrictions

- This appliance should not be used by children younger than 8 years old nor persons with physical, sensory, intellectual deficiencies, or limited experience or knowledge without the supervision of a parent or guardian to ensure safe operation and to avoid any risks. Cleaning and maintenance shall not be performed by children without supervision.
- Plastic film can be dangerous. To avoid the danger of suffocation, keep it away from children. Children shall not play with the appliance.
- Keep the appliance out of reach of children when it is energized or cooling down.
- Use indoors only, on non-carpeted floor surfaces such as vinyl, tile, sealed wood, etc. Be careful not to run over loose objects or the edges of area rugs. Stalling the brush may result in premature belt failure.
- Use only as described in this user guide. Use only manufacturer's recommended attachments.
- Do not expose the appliance to fire or excessive temperature. Exposure to fire or excessive temperature may cause an explosion.
- Do not use in extremely hot or cold environments (below 5°C/41°F or above 40°C/104°F). Please charge the appliance in temperature above 5°C/41°F and below 40°C/104°F.
- Do not immerse the appliance in liquid.
- Do not use to pick up flammable or combustible liquids, such as gasoline. Do not use in areas where flammable or combustible liquids may be present.
- Do not put any object into openings. Do not use the appliance when any opening is blocked. Keep free of dust, lint, hair, and anything that may inhibit air flow.
- Do not pick up toxic material (chlorine bleach, ammonia, drain cleaner, etc.). Do not pick up hard or sharp objects such as glass, nails, screws, coins, etc.
- Do not use the appliance in an enclosed space filled with vapor given off by oil-based paint, paint thinner, some moth-proofing substances, flammable dust, or other explosive or toxic vapour. Do not pick up anything that is burning or smoking, such as cigarettes, matches or hot ashes.
- Do not use the appliance without filters in place.
- Keep hair, loose clothing, fingers, and all parts of the body away from openings and moving parts of the appliance and its accessories.
- To satisfy RF exposure requirements, a separation distance of 20 cm or more should

Important Safety Instructions

be maintained between this device and persons during device operation. To ensure compliance, operations at closer than this distance is not recommended.


- The radio equipment operates in the 2412–2472 MHz frequency band and has a maximum RF output power of < 20 dBm.
- The antenna used for this transmitter must not be co-located in conjunction with any other antenna or transmitter.
- Keep ground cables away from the appliance when using it. A hazard may occur if the appliance runs over a supply cord.
- Use extra care when cleaning on stairs.
- The solution box has a maximum capacity of 85 ml and can only be used with the MOVA HFF3 floor cleaner supplied with this product. The appliance will intelligently adjust the dilution ratio based on dirt level.

Maintenance and Storage


- Prevent unintentional starting. Ensure the switch is in the OFF-position before picking up or carrying the appliance. Carrying the appliance with your finger on the switch or turning on the appliance may result in an accident.
- Ensure that the appliance is placed on a horizontal surface. Do not use the appliance at the same position if the appliance is equipped with a brush roller and the handle is not completely upright. Do not store the appliance in a place where it may freeze.
- Switch off and unplug the appliance when not in use, before cleaning, maintaining or servicing it, and before connecting or disconnecting it with a moving brush.
- Do not use an appliance that is damaged or modified. A damaged or modified appliance may exhibit unpredictable behavior resulting in fire, explosion, or risk of injury.
- Do not modify or attempt to repair the appliance except as indicated in the instructions for use and care.
- Do not use the appliance with a damaged attachment (eg: charging base, supply cord etc.). If the appliance or attachment has been dropped, damaged, left outdoors, dropped into water, or is not working as it should, never attempt to operate it. Please have it repaired at an authorized service center.
- Have servicing performed by a qualified repair person using only identical replacement parts. This will ensure that the safety of the appliance is maintained.
- If the supply cord is damaged, it must be replaced by the manufacturer, its service agent or similarly qualified persons in order to avoid a hazard.

Important Safety Instructions

Battery and Charging

- Warning: For the purpose of recharging the appliance, only use the charging base provided with this appliance. Use only with HCBBZ charging base.
- Follow all charging instructions and do not charge the appliance outside of the temperature range specified in the battery as doing so increases the risk of fire.
- Charging base is equipped with drying function and only suitable for drying this appliance's brush.
- Keep the charging base cable away from heated surfaces. Do not handle the charging base plug or appliance with wet hands. To unplug, grasp the charging base plug, rather than the cable.
- Do not pull or carry charging base by cable, use cable as a handle, close door on cable, or pull cable around sharp edges or corners.
- Do not use any non-rechargeable battery pack. Failing to do so may cause the lithium-ion battery to catch fire. This appliance contains batteries that can only be replaced by qualified technicians or after-sales service.
- The lithium-ion battery pack contains substances that are hazardous to the environment. Before disposing of the appliance, please first remove the battery pack, then discard, or recycle it in accordance with local laws and regulations of the country or region it is used in.
- The appliance must be disconnected from the power supply when removing the battery. Keep batteries out of the reach of children. Never put batteries in mouth. If swallowed, contact your physician or local poison control.
- Under abusive conditions, never contact the battery from which the liquid may be ejected. If contact accidentally occurs, rinse with water. If liquid contacts eyes, seek medical help immediately. Liquid ejected from the battery may cause irritation or burns.
- The charging base is capable of charging the 6-cell 4000 mAh battery pack. This charging base should not be used to charge non-rechargeable batteries. Failing to do so may cause the lithium-ion battery to catch fire.
- The charging base is marked with a  icon indicating "Caution: Hot Surface". Do not touch the brush roller, hot water, or heating module of the charging base while self-cleaning with hot water.

EU Conformity Statement

 This product is marked with "CE" and comply therefore with the applicable harmonized European standards listed under the Radio Equipment Directive 2014/53/EU.

RF Exposure Information

This device has been tested and meets applicable limits for Radio Frequency (RF) exposure.

2.4G WiFi (2412 MHz ~ 2472 MHz): 19.99 dBm (Max EIRP)

Important Safety Instructions

Symbols



Class II equipment



Time-lag miniature fuse-link where T 3.15A is the symbol for the time/current characteristic



For indoor use only



Read operator's manual



Caution: Hot Surface



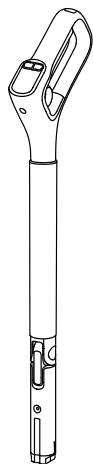
WEEE Information

All products bearing this symbol are waste electrical and electronic equipment (WEEE as in directive 2012/19/EU) which should not be mixed with unsorted household waste. Instead, you should protect human health and the environment by handing over your waste equipment to a designated collection point for the recycling of waste electrical and electronic equipment, appointed by the government or local authorities. Correct disposal and recycling will help prevent potential negative consequences to the environment and human health. Please contact the installer or local authorities for more information about the location as well as terms and conditions of such collection points.

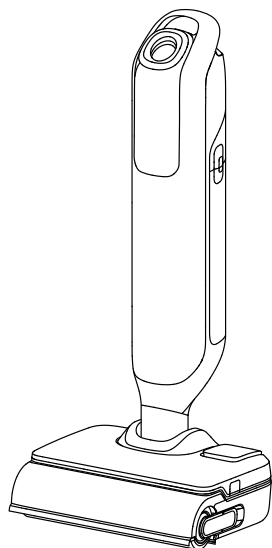
We, XingKuang Innovation Technology (Suzhou) Co., Ltd., hereby declares that this equipment is in compliance with the applicable Directives, European Norms, and amendments. The full text of the EU declaration of conformity is available at the following internet address: www.mova-tech.com

For detailed e-manual, please go to <https://www.mova-tech.com/pages/user-manuals-and-faqs>

Packing List



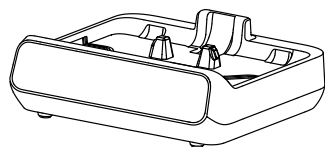
Handle



Main Body



Replacement Filter



Charging Base

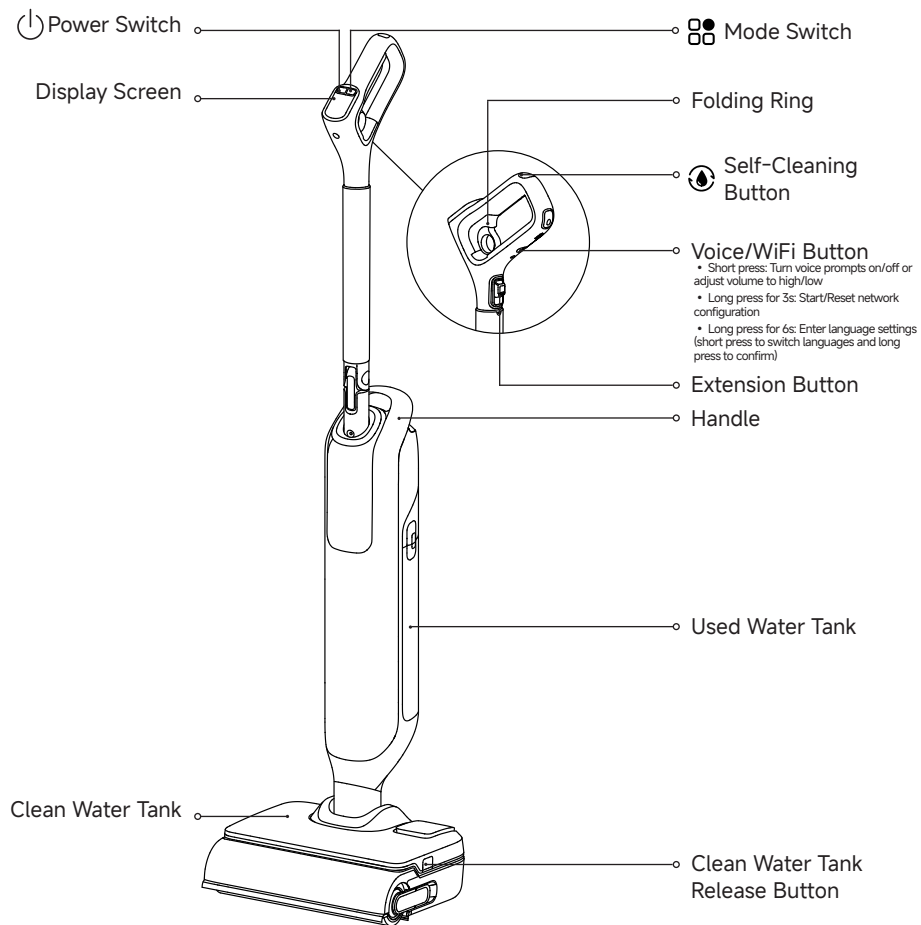


Spare Brush Roller

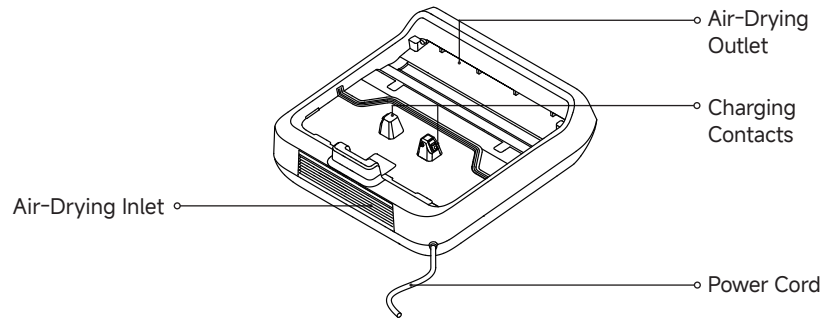


Cleaning Brush

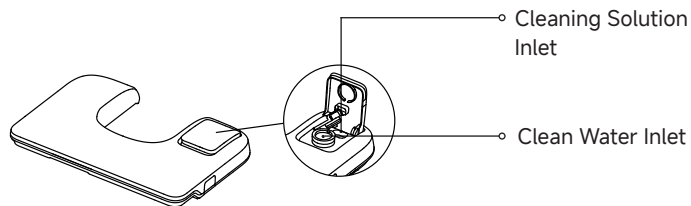
Vacuum



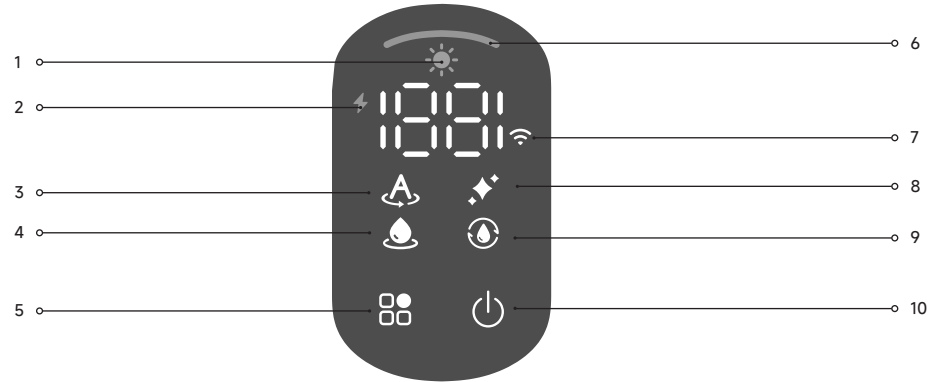
Charging Base



Clean Water Tank



Display Screen



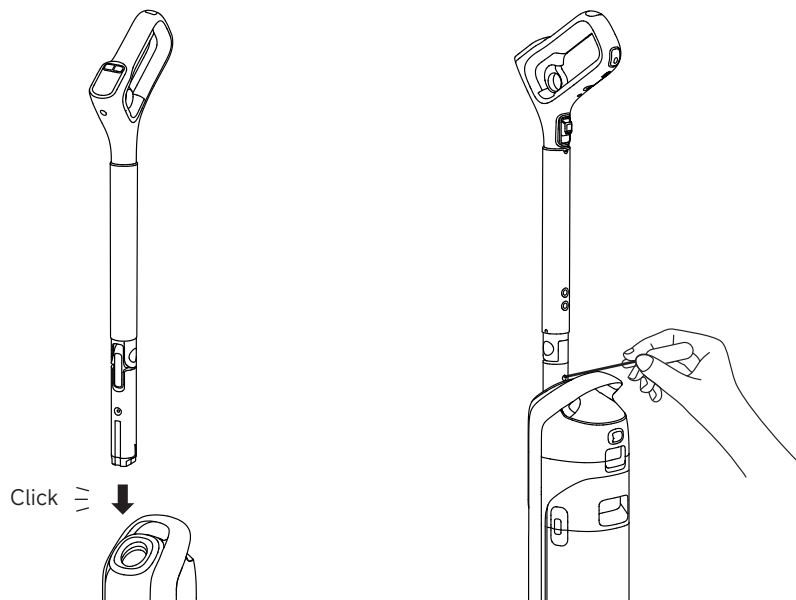
- | | |
|---|--|
| <p>1 Drying Mode</p> <p>2 Charging/Low Battery Indicator</p> <p>3 Smart Mode</p> <p>4 Suction Mode</p> <p>5 Mode Switch</p> <ul style="list-style-type: none"> • Press to switch modes. • Press and hold for 3 seconds to enter/exit Hardwood Floor Mode. | <p>6 Dust Concentration Indicator & Error Alert</p> <ul style="list-style-type: none"> • Changes color in real time based on dirt amount during use. • Red flashing indicates an error. <p>7 WiFi Indicator</p> <p>8 AutoSolution Mode</p> <p>9 Self-Cleaning Mode</p> <p>10 Power Switch</p> <p>Press to start/stop cleaning.</p> |
|---|--|

Note:
If the appliance is not working properly, the display screen will show an error message. Please refer to the Error Prompts and Solutions table to find your solution.

Handle Installation/Removal

To install: Insert the end of the handle vertically into the top of the appliance as indicated until you hear a click.

To remove: Insert a rigid tool into the hole at the indicated position to press the release tab while pulling the handle upwards.



Charging

1. Place the charging base against a wall on level ground and connect it to a power source. Fully charge the appliance before first use.
2. Place the appliance on the charging base. When the number on the display screen reaches 100, the battery is fully charged.

⚡ Charging/Low battery indicator

- Orange breathing: Battery level \leq 25% (charging)
- Green breathing: Battery level $>$ 25% (charging)
- Solid green: Fully charged
- Solid orange: Battery Level \leq 25%

Note:

- If there is no operation within 10 minutes of being fully charged, the appliance will enter sleep mode. Please restart the appliance when you need to use it again.
- To prolong its life, the battery will automatically cool down before recharging after the product has been running continuously for a long time.

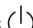
Connecting to MOVAhome App

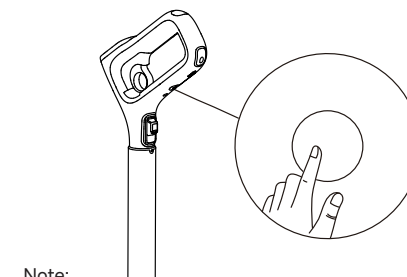
1. Download App

Search for "MOVAhome" in the app store or scan the QR code below to download and install the MOVAhome App.



2. Set Up WiFi

Press  to turn on the appliance. Then, press the Voice/WiFi Button on the back of the handle to enter network configuration mode. A breathing white WiFi indicator and the voice prompt "Waiting for network configuration" will confirm entry.



Note:

- Ensure your phone is connected to a 2.4 GHz WiFi network before this step.

3. Add Device

Open the MOVAhome App, select "Scan to Connect" or "Add Manually", and follow the on-screen instructions to complete the connection.

Scan to Connect

Remove the Used Water Tank and scan the Product QR Code on the appliance.



* For reference only. Please scan the QR code on the product.

Add Manually

Select the product model from the product list.



Note:

- The product model can also be found and selected in the "Available Devices Nearby" popup on Android devices. This feature is not currently supported on iOS devices.

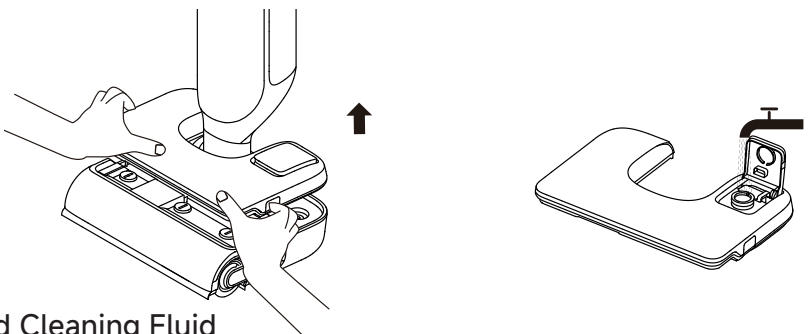
Note:

- This appliance supports only 2.4 GHz WiFi networks.
- Due to App updates, please refer to the actual interface for network configuration.
- If no action is taken for 10 minutes or if the network connection fails during setup, the appliance will exit network configuration mode. To reset WiFi, please repeat the above steps.

How to Use

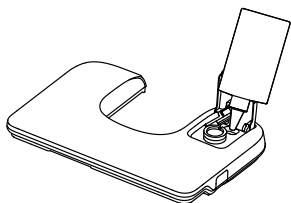
Fill the Clean Water Tank

Press the Clean Water Tank release buttons to remove the tank. Open the tank cover and fill the tank with clean water through the clean water inlet. Reinstall the tank, ensuring it clicks into place.



Add Cleaning Fluid



Open the Clean Water Tank cover, and pour cleaning solution into the corresponding inlet. In AutoSolution Mode, the main body can intelligently adjust the dilution ratio.



Note:

- To reduce the risk of fire and electric shock due to internal component damage, use only XingKuang Innovation Technology (Suzhou) Co., Ltd. HFF3 floor cleaner intended for use with the appliance. The cleaner can be available on the official online store.
- To add the cleaner directly to the Clean Water Tank, use the bottle cap to measure the proper amount (*approximately 3 ml / 0.1 fl oz per cap), pour it into the tank, and gently shake to ensure even mixing before use.

Switch Modes

Press  to switch modes based on your needs. Press and hold  for 3 seconds to enter/exit Hardwood Floor Mode.



Smart Mode

The appliance will detect the stain level and intelligently adjust the suction power and water flow accordingly.



Suction Mode

Vacuum water only.



AutoSolution Mode

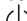
The appliance will intelligently adjust the dilution ratio of the solution.

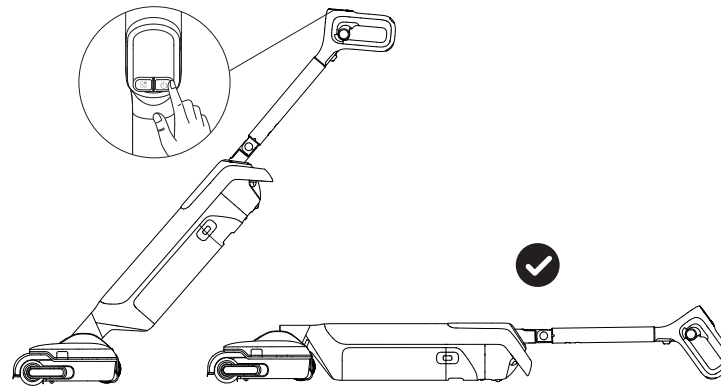
Note:

"Ding" indicates entering Hardwood Floor Mode; "Ding Ding" indicates exiting Hardwood Floor Mode.

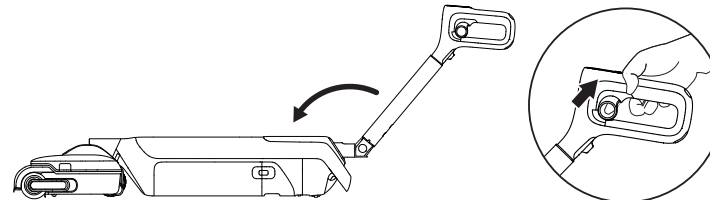
How to Use

Start Cleaning

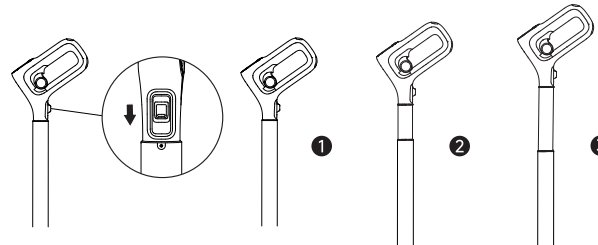
Gently step on the brush cover and recline the appliance backwards. Press the power switch  to start/stop cleaning. If the appliance is in the upright position while working, the current task will be suspended.



Pull the folding ring to fold the handle 90°, allowing the appliance to lie flat at 180° for easy cleaning under furniture without bending over. Quickly lift the handle to return it to the upright position.



While the appliance is upright, slide the extension button to adjust the handle to two additional length options, accommodating users of different heights.



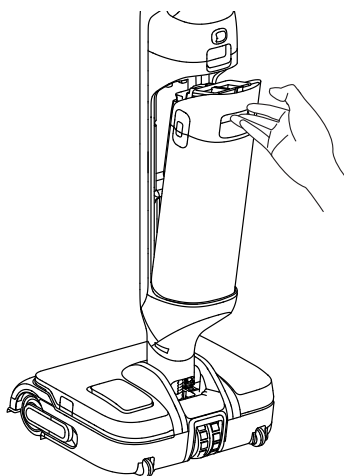
Note:

- Do not vacuum any foamy liquids.
- Return the appliance to the upright position before powering it off if it is lying flat.
- The appliance is only suitable for cleaning hard surfaces such as wood floors, marble, and tiles.
- When the appliance is in operation, do not lift or move it off the ground, as this may cause used water to flow into the motor.
- During handle folding, keep your hands away from the folding pivot to prevent pinching.

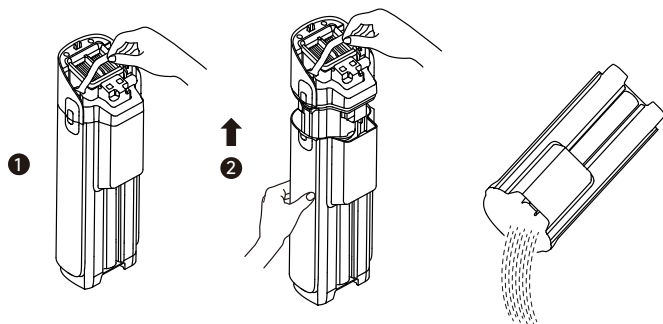
How to Use

Empty the Used Water Tank

1. Press the Used Water Tank release button to remove the tank.



2. Pull up the Used Water Tank cover handle to lift the cover off.



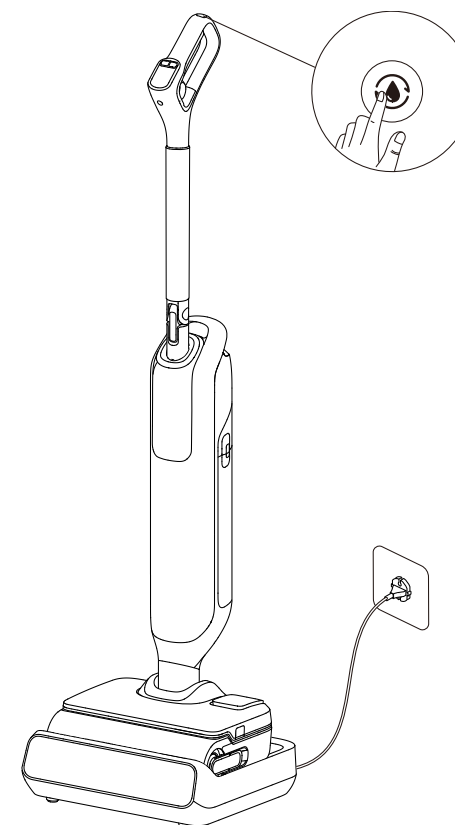
Note:

- Do not lift or move the Used Water Tank by the handle alone to prevent leakage.

How to Use

Hot-Water Self-Cleaning & Hot-Air Drying

	Short press	Activate Smart Soaking Self-Cleaning
	Short press within 3 seconds of starting self-cleaning	Switch to Deep Soaking Self-Cleaning
	Long press for 3s	Enter drying mode
	Short press during drying	Exit



Note:

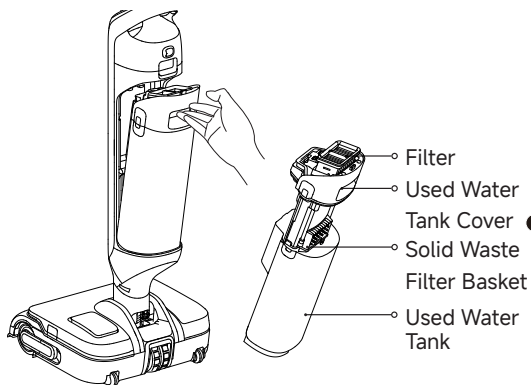
- Before starting self-cleaning, place the appliance back onto the base and ensure the Clean Water Tank is adequately filled.
- After self-cleaning is complete, the appliance will enter drying mode. Please empty the Used Water Tank promptly.
- The self-cleaning mode can be set via the App; the default setting is Smart Mode.
- Do not touch the brush roller, hot water, or heating module of the base while self-cleaning with hot water.
- The self-cleaning function can be enabled only when the appliance is being charged and the battery level is above 25%. If the battery level is lower, please charge it to 25% before starting self-cleaning.

Tips:

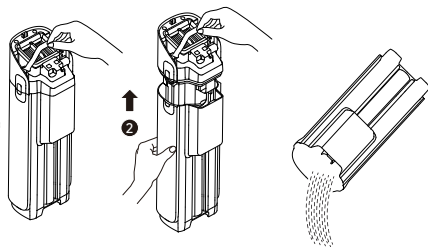
- Turn off the appliance before maintenance. Be careful not to accidentally press the power switch.
- Replace parts if needed. The parts must be replaced by those available from the manufacturer or its service agent.
- If the appliance is unused for an extended period, fully charge it, disconnect the power plug, and store it in a cool, dry place away from direct sunlight. Charge the appliance at least once every 3 months to prevent the battery from over-discharging.

Clean the Used Water Tank

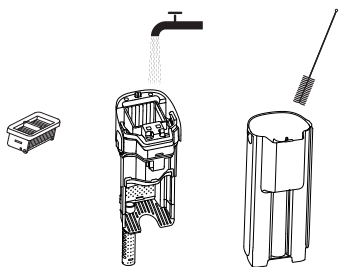
1. Press the release button to release the Used Water Tank.



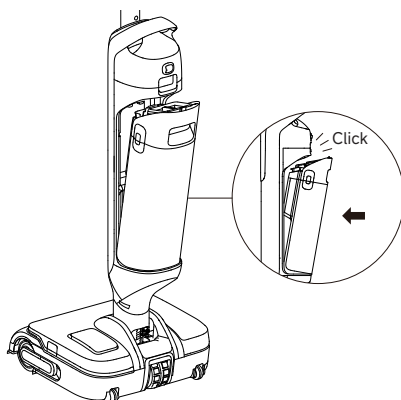
2. Pull up the tank cover handle to lift off the cover. Remove the filter, and pour out the used water.



3. Clear the solid waste, then rinse the tank and tank cover with clean water. Use the provided cleaning brush to clean the inner walls of the tank.



4. Re-install the filter and tank cover. Then re-install the tank until you hear a click.



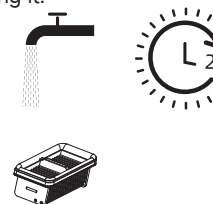
Note: It is recommended to clean the Used Water Tank in time after each use, as well as before and after self-cleaning.

Clean the Filter

1. Remove the filter and gently knock off the floating dust on the surface.



2. When the filter is dirty, rinse it with clean water. Allow it to air dry completely before reinstalling it.

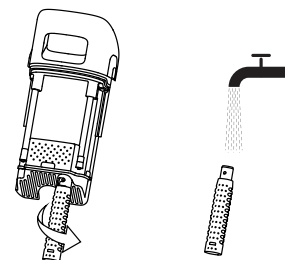


Note:

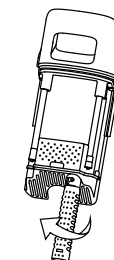
1. Replacing the filter every 3 to 6 months is recommended.
2. If wet, fully air-dry the filter before reuse to avoid shortening its lifespan.

Clean the Deodorizer

1. Hold the deodorizer, twist to release and remove it, and then rinse it with clean water.



2. After cleaning, twist and securely lock it back into place.

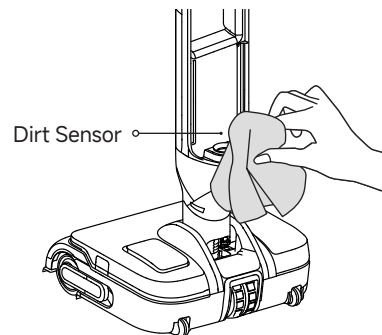


Note:

1. Clean as needed. Replacing the deodorizer every 3 to 6 months is recommended.
2. To ensure the deodorizer functions effectively, promptly clean the Used Water Tank after each use.

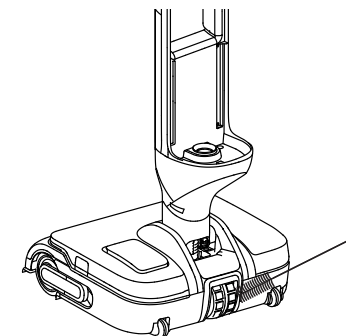
Clean the Tube and the Dirt Sensor

Remove the Used Water Tank and wipe the tube and the dirt sensor with a wet cloth.



Clean the Drive Wheel

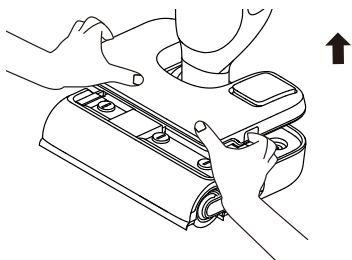
Clean the drive wheel on a regular basis.



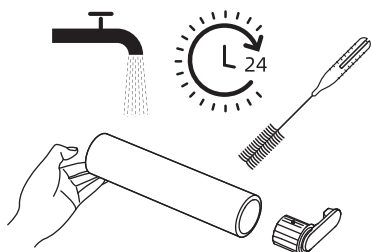
Note: Do not rinse the tube or the dirt sensor with water.

Clean the Brush Assembly

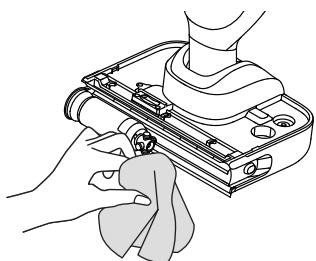
1. Press the Clean Water Tank release buttons to release the Clean Water Tank.



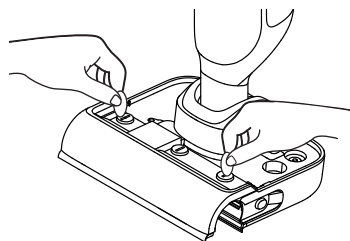
3. Remove the handle from the brush roller. Use the provided cleaning brush to clean the brush roller, then rinse it with clean water and allow it to air dry completely.



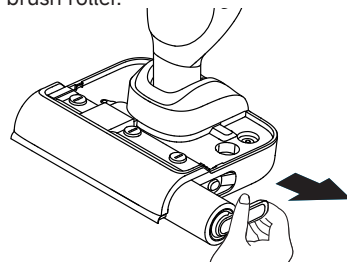
5. Wipe the suction inlet with a dry cloth or wet tissue. Do not rinse it with water.



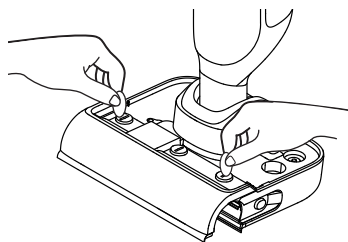
7. Re-lock the brush cover.



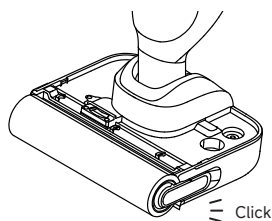
2. Pull the brush roller handle to take out the brush roller.



4. Use a coin to turn the locking knobs on the brush cover to remove it.



6. Re-install the brush roller and its handle until you hear a click.



Note:

- Do not rinse the brush roller with water.
- Clean as needed. Replacing the brush roller every 3 to 6 months is recommended.
- Before cleaning the brush roller, ensure that the Used Water Tank is either removed or emptied, and that the appliance is laid down on its side.

If an error occurs, the appliance will stop working. Please refer to the following table for troubleshooting. If the problem persists, please contact the customer service.

Error	Possible Cause	Solution
The appliance does not work.	The appliance is out of battery or its battery level is low.	Fully charge it before use.
	The appliance is in the upright position.	Recline the appliance backwards.
	Blockage activated overheat protection mode.	Clear the blockage and wait until the temperature returns normal.
	The Used Water Tank is full.	Empty the Used Water Tank.
	The parts are not installed in place.	Ensure all parts are properly in place.
	Water level in the Clean Water Tank is low.	Refill the Clean Water Tank.
The appliance charges slowly.	The temperature of the battery is too low or too high.	Wait until the battery's temperature returns normal.
The suction power of the appliance is weak.	The filter is clogged.	Clean the filter.
	The suction inlet or tube is blocked by a foreign object.	Clean the tube and the suction inlet.
The motor is making a strange noise.	There is too much dirty water in the Used Water Tank.	Empty the Used Water Tank.
	The suction inlet is blocked.	Clear any blockage in the suction inlet.
The battery level indicator on the display screen does not light up while charging.	The charging base plug is not inserted into the electrical outlet properly.	Make sure the charging base plug is inserted in place.
	The appliance is not placed onto the charging base properly.	Make sure the appliance is placed onto the charging base properly.

No water is coming out of the appliance.	The Clean Water Tank is not properly installed in place, or the water in the Clean Water Tank is insufficient.	Re-install or fill the Clean Water Tank.
	It takes 30 seconds to dampen the brush roller.	Turn on the appliance and check again after a while.
The vent leaks water.	A collision or a sharp pull causes water to enter the motor.	Move the appliance gently back and forth while it is turned on.
	The filter is not completely dry after being cleaned.	Dry the filter completely before use.
Self-cleaning fails.	The brush roller may be jammed by large debris.	Remove the brush roller cover to check and clean the brush roller.
	The appliance is not placed onto the charging base properly.	Make sure the appliance is being charged before enabling the self-cleaning function.
	Self-cleaning cannot be enabled if the battery level is lower than 25%.	Self-cleaning can only be enabled while the appliance is being charged and the battery level is more than 25%.
	The Used Water Tank is full.	Empty the Used Water Tank.
	The Clean Water Tank is not installed in place, or the water in the Clean Water Tank is insufficient.	Re-install or fill the Clean Water Tank.
Poor drying performance.	The air outlet and air inlet of the charging base may be blocked.	Check and clear the blockage of air outlet and air inlet.

Network connection fails.	Incorrect WiFi password.	Enter the correct password.
	5 GHz WiFi not supported.	Ensure connection to a 2.4 GHz WiFi network.
	Weak WiFi signal.	Reposition the appliance within effective router coverage.
	App connection failure.	Exit and relaunch the MOVAhome App to retry connecting.

Error Prompts and Solutions

If the appliance is not working properly, the screen display will show an error message. Please refer to the below table to find your solution.

Error Code	Possible Cause	Solution
E1-E7	Error	Restart the appliance for troubleshooting. If the problem persists, Please contact customer service.
F1-F3		
H2/H3/H5/H6		

Vacuum			
Model	HMH28A	Rated Power	450 W
Rated Voltage	21.6 V ---	Charging Voltage	27.5 V ---
Clean Water Tank Capacity	800 mL	Used Water Tank Capacity	700 mL
Charging Time	Approx. 4 hours		
Charging Base			
Model	HCBZ	Rated Power*	450 W
Rated Input	220-240 V~50-60 Hz	Rated Output	27.5 V --- 1.6 A

Product Information for Power Consumption and the Time of Entering This Mode		
Model	Maximum power consumption	Maximum time of entering this mode
Standby mode for charging base only	$\leq 0.5\text{W}$	$\leq 20\text{ min}$
Standby mode	$\leq 0.5\text{W}$	$\leq 20\text{ min}$
Networked standby mode	$\leq 2\text{ W}$	$\leq 20\text{ min}$

* The rated power refers to the power measured during a representative cycle for entering the drying mode.

The built-in lithium-ion battery contains substances that are hazardous to the environment. Before disposing of the battery, make sure the battery is removed by qualified technicians and discarded at an appropriate recycling facility.

- the battery must be removed from the appliance before it is scrapped;
- the appliance must be disconnected from the supply mains when removing the battery;
- the battery is to be disposed of safely.

Removal Guide

1. Remove the handle by referring to the Installation section.
2. Use a proper tool to remove the top and body decorative covers of the appliance.
3. Use a screwdriver to remove all the fixing screws from the body.
4. Use a screwdriver to remove the fixing screws of the appliance front cover. Remove the cover.
5. Disconnect the battery pack's connector cables and remove the battery from the battery pack assembly.

CAUTION:

- Before removing the battery, disconnect the power and run out the battery as much as possible.
- Unneeded batteries should be discarded at an appropriate recycling facility.
- Do not expose to high temperature environment to avoid risks of explosion.
- Under abusive conditions, liquid may be ejected from the battery. If contact occurs, flush with water and seek medical help.

Wichtige Sicherheitshinweise

Bitte lesen Sie dieses Handbuch vor der Verwendung sorgfältig durch und bewahren Sie es zum späteren Nachschlagen auf.

Bei der Verwendung eines elektrischen Geräts sollten immer grundlegende Vorsichtsmaßnahmen beachtet werden, einschließlich der folgenden:

LESEN SIE VOR DEM GEBRAUCH (DIESES GERÄTS) ALLE ANWEISUNGEN. Die Nichtbeachtung der Warnhinweise und Anweisungen kann zu einem Stromschlag, Brand und/oder schweren Verletzungen führen.

WARNUNG – Um die Gefahr von Bränden, Stromschlägen oder Verletzungen zu verringern:

Nutzungsbeschränkungen

- Um einen sicheren Betrieb zu gewährleisten und Risiken zu vermeiden, darf dieses Produkt nicht von Kindern unter 8 Jahren, von Personen mit körperlichen, sensorischen oder geistigen Einschränkungen oder von Personen mit mangelnden Kenntnissen ohne Aufsicht eines Elternteils oder Vormunds verwendet werden. Kinder dürfen die Reinigung und Wartung nicht ohne Aufsicht durchführen.
- Kunststoffolie kann gefährlich sein. Um die Gefahr des Erstickens zu vermeiden, halten Sie sie von Kindern fern. Kinder dürfen nicht mit dem Gerät spielen.
- Bewahren Sie das Gerät für Kinder unzugänglich auf, wenn es eingeschaltet ist oder abkühlt.
- Verwenden Sie das Gerät nur in Innenräumen, auf nicht mit Teppichboden versehenen Böden wie Vinyl, Fliesen, versiegeltem Holz usw. Achten Sie darauf, nicht über lose Gegenstände oder Kanten von Teppichen zu fahren. Ein Abwürgen der Bürste kann zu einem vorzeitigen Ausfall des Riemens führen.
- Verwenden Sie das Gerät nur wie in dieser Bedienungsanleitung beschrieben. Verwenden Sie nur das vom Hersteller empfohlene Zubehör.
- Setzen Sie das Gerät keinem Feuer oder übermäßigen Temperaturen aus. Die Exposition gegenüber Feuer oder übermäßige Temperatur kann eine Explosion verursachen.
- Nicht in extrem heißen oder kalten Umgebungen verwenden (unter 5 °C oder über 40 °C). Bitte laden Sie das Gerät bei Temperaturen über 5°C/41 °F und unter 40 °C/104 °F auf.
- Tauchen Sie das Gerät nicht in Flüssigkeit.
- Dieses Gerät darf nicht verwendet, um brennbare oder leicht entzündliche Flüssigkeiten wie Benzin aufzunehmen. Dieses Gerät darf nicht in Bereichen verwendet werden, in denen brennbare oder leicht entzündliche Flüssigkeiten vorhanden sein können.
- Setzen Sie kein Objekt in die Öffnungen. Verwenden Sie das Gerät nicht, wenn die Öffnung blockiert ist. Halten Sie sich frei von Staub, Fusseln, Haaren und allem, was den Luftstrom behindern kann.
- Nehmen Sie kein giftiges Material auf (Chlorbleiche, Ammoniak, Abflussreiniger usw.). Heben Sie keine harten oder scharfen Gegenstände wie Glas, Nägel, Schrauben, Münzen usw. auf.
- Verwenden Sie das Gerät nicht in einem geschlossenen Raum, der mit Dämpfen gefüllt ist, die von ölhaltigen Farben, Farbverdünnern, einigen Mottenschutzmitteln, brennbarem Staub oder anderen explosiven oder giftigen Dämpfen abgegeben werden. Nehmen Sie keine brennenden oder rauchenden Gegenstände auf, wie z. B. Zigaretten, Streichhölzer oder heiße Asche.
- Verwenden Sie es nicht ohne eingesetzte Filter.

Wichtige Sicherheitshinweise


- Halten Sie Haare, lose Kleidung, Finger und alle Körperteile von den Öffnungen und beweglichen Teilen des Geräts und seines Zubehörs fern.
- Zur Einhaltung der Anforderungen an die HF-Exposition muss während des Betriebs dieses Geräts zwischen dem Gerät und Personen ein Abstand von mindestens 20 cm eingehalten werden. Zur Gewährleistung der Vorschriftenkonformität wird davon abgeraten, näher als in dieser Entfernung zu arbeiten.
- Das Funkgerät arbeitet im Frequenzband 2412-2472 MHz und hat eine maximale HF-Ausgangsleistung von < 20 dBm.
- Die Antenne, die für diesen Sender zum Einsatz kommt, darf nicht an einem Standort mit anderen Antennen oder Sendern betrieben werden.
- Halten Sie Erdungskabel vom Gerät fern, da eine Gefahr auftreten kann, wenn das Gerät in Betrieb über ein Netzkabel läuft.
- Gehen Sie bei der Reinigung auf Treppen besonders vorsichtig vor.
- Der Reinigungslösungsbehälter hat ein maximales Fassungsvermögen von 85 ml und kann nur mit dem mitgelieferten MOVA HFF3 Bodenreiniger verwendet werden. Das Gerät passt das Verdünnungsverhältnis intelligent an den Verschmutzungsgrad an.

Wartung und Lagerung


- Verhindern Sie ein unbeabsichtigtes Starten. Vergewissern Sie sich, dass der Schalter in der AUS-Stellung ist, bevor Sie das Gerät in die Hand nehmen oder tragen. Das Tragen des Geräts mit dem Finger auf dem Schalter oder auf dem stromführenden Gerät, das den Schalter eingeschaltet hat, trägt zu Unfällen bei.
- Stellen Sie sicher, dass das Gerät auf einer horizontalen Fläche steht. Verwenden Sie das Gerät nicht an der gleichen Stelle, wenn das Gerät mit einer Rollenbürste ausgestattet ist und der Griff nicht vollständig aufrecht steht. Lagern Sie das Gerät nicht an einem Ort, an dem es einfrieren kann.
- Schalten Sie das Gerät bei Nichtgebrauch vor dem Reinigen, Warten aus, oder bevor Sie es mit einer beweglichen Bürste anschließen oder trennen.
- Verwenden Sie kein Gerät, das beschädigt oder modifiziert ist. Beschädigte oder modifizierte Batterien können ein unvorhersehbares Verhalten zeigen, was zu Feuer, Explosion oder Verletzungsgefahr führen kann.
- Verändern Sie das Gerät nicht und versuchen Sie nicht, es zu reparieren, es sei denn, dies ist in der Gebrauchs- und Pflegeanleitung angegeben.
- Verwenden Sie das Gerät nicht mit einem beschädigten Aufsatz (z. B. Ladestation, Ladekabel usw.). Sollte das Gerät oder das Zubehörteil heruntergefallen sein, beschädigt worden sein, im Freien gelassen worden sein, ins Wasser gefallen sein oder nicht ordnungsgemäß funktionieren, versuchen Sie niemals, das Gerät zu benutzen. Lassen Sie das Gerät von einem autorisierten Servicecenter reparieren.
- Lassen Sie die Wartung von einer qualifizierten Reparaturkraft durchführen, die nur identische Ersatzteile verwendet. Dadurch wird sichergestellt, dass die Sicherheit des Produkts erhalten bleibt.
- Wenn das Netzkabel beschädigt ist, muss es durch den Hersteller, seinen Kundendienst oder ähnlich qualifizierte Fachkräfte ersetzt werden, um eine Gefährdung zu vermeiden.

Wichtige Sicherheitshinweise

Akku und Aufladen

- Warnung: Zum Aufladen des Gerätes nur die mitgelieferte Ladestation verwenden. Nur mit HCBBZ-Ladestation verwenden.
- Befolgen Sie alle Ladeanweisungen und laden Sie das Gerät nicht außerhalb des in der Batterie angegebenen Temperaturbereichs auf, da dies die Brandgefahr erhöht.
- Die Ladestation ist mit einer Trocknungsfunktion ausgestattet und nur zum Trocknen der Bürste dieses Geräts geeignet.
- Halten Sie die Ladestation von beheizten Oberflächen fern. Fassen Sie den Stecker der Ladestation oder das Gerät nicht mit nassen Händen. Um den Netzstecker zu ziehen, greifen Sie nach dem Stecker der Ladestation und nicht nach dem Kabel.
- Ziehen oder tragen Sie die Ladestation nicht am Kabel, verwenden Sie das Kabel nicht als Griff, schließen Sie die Tür des Kabels und ziehen Sie das Kabel nicht über scharfe Kanten oder Ecken.
- Benutzen Sie keine nicht wiederaufladbaren Batterien. Bei Nichtbeachtung besteht Brandgefahr für den Lithium-Ionen-Akku. Dieses Produkt enthält Batterien, die nur durch qualifizierte Techniker oder Kundendienst ersetzt werden können.
- Der Lithium-On-Akku enthält umweltgefährdende Substanzen. Bevor Sie das Gerät entsorgen, entfernen Sie bitte zuerst den Batteriesatz, dann werfen Sie ihn oder recyceln Sie ihn gemäß den lokalen Gesetzen und Vorschriften des Landes oder der Region, in dem er verwendet wird.
- Das Gerät muss beim Entfernen der Batterie vom Netzteil getrennt werden. Batterien außerhalb der Reichweite von Kindern aufbewahren. Nehmen Sie Batterien niemals in den Mund. Im Falle des Verschluckens wenden Sie sich an Ihren Arzt oder die örtliche Giftnotrufzentrale.
- Kommen Sie unter missbräuchlichen Bedingungen niemals die Batterie in Berührung, aus der die Flüssigkeit ausgeworfen wird. Wenn die Berührung versehentlich auftritt, spülen Sie mit Wasser ab. Wenn die Flüssigkeit mit den Augen in Berührung kommt, suchen Sie sofort ärztliche Hilfe auf. Die aus der Batterie ausgestoßene Flüssigkeit kann Reizungen oder Verbrennungen verursachen.
- Die Ladestation eignet sich zum Aufladen des 6-Zellen-Akkupacks mit 4000 mAh. Diese Ladestation sollte nicht zum Laden von nicht wiederaufladbaren Batterien verwendet werden. Bei Nichtbeachtung besteht Brandgefahr für den Lithium-Ionen-Akku.
- Die Ladestation ist mit einem -Symbol gekennzeichnet, das angibt: „Vorsicht: Heiße Oberfläche“. Berühren Sie während der Selbstreinigung mit heißem Wasser nicht die Rollenbürste, das heiße Wasser oder das Heizmodul der Ladestation.

EU-Konformitätserklärung

 Dieses Produkt ist mit „CE“ gekennzeichnet und entspricht somit den geltenden harmonisierten europäischen Normen, die in der Richtlinie über Funkanlagen 2014/53/EU aufgeführt sind.

Angaben zur hochfrequenten Exposition

Dieses Gerät wurde getestet und hält die geltenden Grenzwerte für die hochfrequente (RF) Exposition ein.

2,4 G WLAN (2412 MHz - 2472 MHz): 19,99 dBm (Max. EIRP)

Wichtige Sicherheitshinweise

Symbole



Geräte der Klasse II



Feinsicherung mit Zeitverzögerung wobei „T 3,15 A“ das Symbol für die Zeit/Strom-Kennlinie ist



Nur für den Innenbereich geeignet



Bedienungsanleitung lesen



Achtung: Heiße Oberfläche



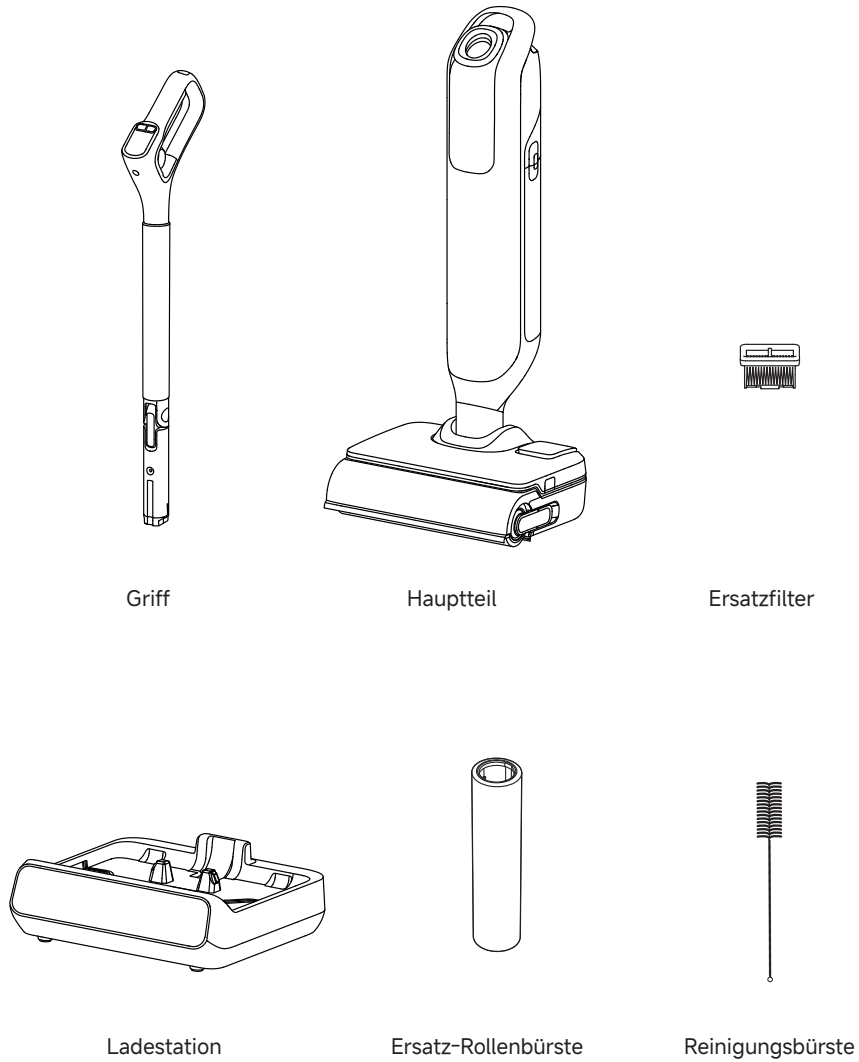
WEEE-Informationen

Alle mit diesem Symbol gekennzeichneten Produkte sind Elektroschrott und Elektrogeräte (WEEE entsprechend EU-Richtlinie 2012/19/EU) und dürfen nicht mit unsortiertem Haushaltsmüll vermischt werden. Schützen Sie stattdessen Ihre Mitmenschen und die Umwelt, indem Sie Ihre zu entsorgenden Geräte an eine dafür vorgesehene, von der Regierung oder einer lokalen Behörde eingerichtete Sammelstelle zum Recycling von Elektroschrott und Elektrogeräten bringen. Eine ordnungsgemäße Entsorgung und Recycling helfen, negative Auswirkungen auf die Gesundheit von Umwelt und Menschen zu vermeiden. Wenden Sie sich bitte an den Installateur oder lokale Behörden, um Informationen zum Standort und den allgemeinen Geschäftsbedingungen solcher Sammelstellen zu erhalten.

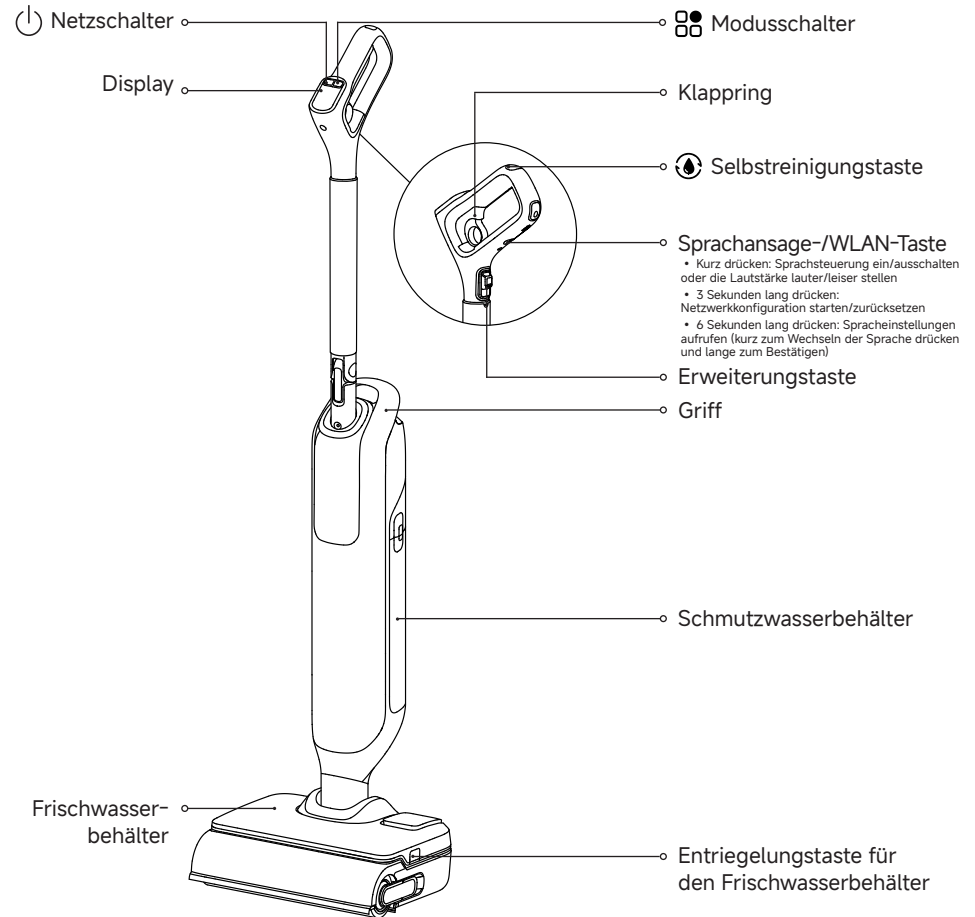
Wir, XingKuang Innovation Technology (Suzhou) Co., Ltd., bestätigen hiermit, dass dieses Gerät mit den geltenden Verordnungen und europäischen Normen sowie etwaigen Ergänzungen in Einklang steht. Der vollständige Wortlaut der EU-Konformitätserklärung ist unter der folgenden Internetadresse abrufbar: www.mova-tech.com

Ein detailliertes elektronisches Handbuch finden Sie unter <https://www.mova-tech.com/pages/user-manuals-and-faqs>

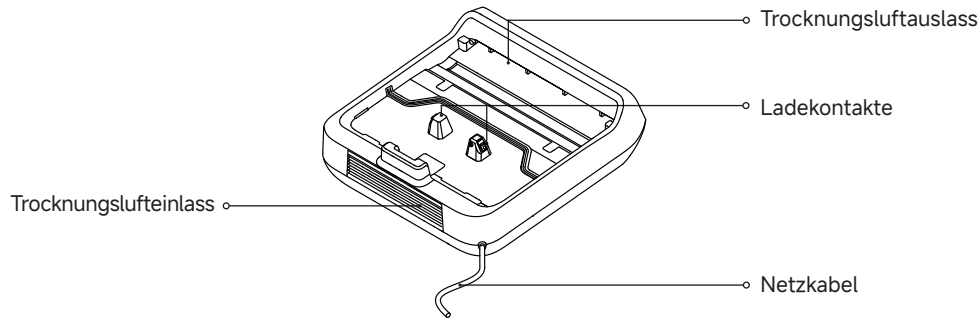
Lieferumfang



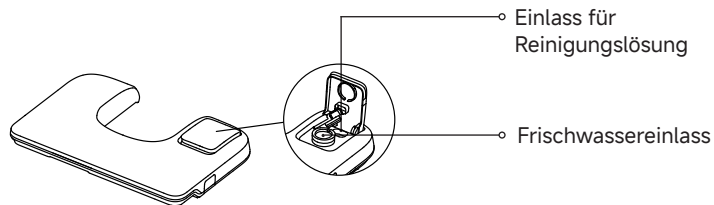
Staubsaugen



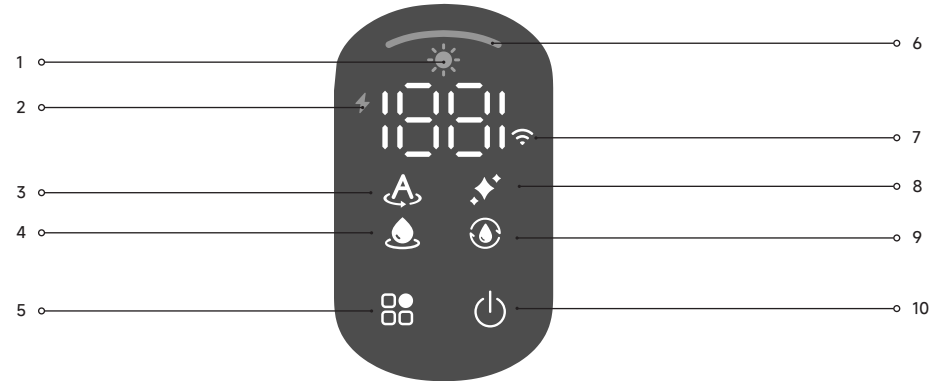
Ladestation



Frischwasserbehälter



Display

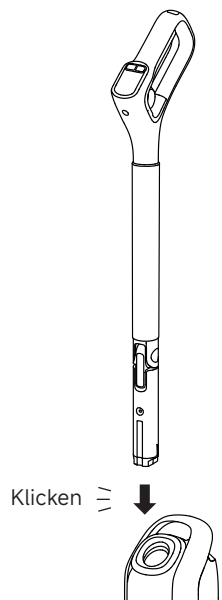


- | | |
|---|---|
| <p>1 Trocknungsmodus</p> <p>2 Lade-/Akkustandsanzeige</p> <p>3 Smarter Modus</p> <p>4 Saugmodus</p> <p>5 Modusschalter</p> <ul style="list-style-type: none"> • Drücken, um den Modus zu wechseln. • 3 Sekunden lang gedrückt halten, um den Hartholzbodenmodus zu aktivieren bzw. zu deaktivieren. | <p>6 Staubkonzentrationsanzeige und Fehlermeldung</p> <ul style="list-style-type: none"> • Ändert während des Gebrauchs je nach Verschmutzungsgrad die Farbe in Echtzeit. • Rotes Blinken zeigt einen Fehler an. <p>7 WLAN-Anzeige</p> <p>8 Modus zum automatischen Hinzufügen der Reinigungsflüssigkeit</p> <p>9 Selbstreinigungsmodus</p> <p>10 Netzschalter</p> <p>Drücken, um die Reinigung zu starten/stoppen.</p> |
|---|---|

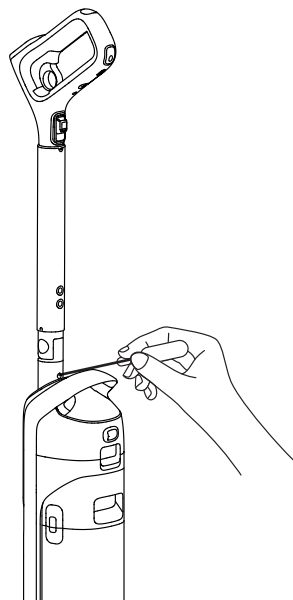
Hinweis:
 Wenn das Gerät nicht ordnungsgemäß funktioniert, wird auf dem Display eine Fehlermeldung angezeigt. Bitte sehen Sie in der Fehlermeldungs- und Lösungstabelle nach, um eine Lösung zu finden.

Montage/Demontage des Griffs

Zur Installation: Fügen Sie das Ende der Griffbaugruppe senkrecht in die Oberseite des Geräts ein, wie angegeben, bis Sie ein Einrasten spüren.



Zur Demontage: Führen Sie ein starres Werkzeug an der angegebenen Stelle in das Loch ein, um die Entriegelungslasche zu betätigen, und ziehen Sie gleichzeitig den Griff nach oben.



Laden

1. Stellen Sie die Ladestation gegen eine Wand auf dem Boden und schließen Sie sie an eine Stromquelle an. Laden Sie das Gerät vor dem ersten Gebrauch vollständig auf.
2. Stellen Sie das Gerät auf die Ladestation. Wenn die Zahl auf dem Display 100 erreicht, ist der Akku vollständig geladen.

⚡ Lade-/Akkustandsanzeige

- Oranges Pulsieren: Akkustand \leq 25 % (Aufladen)
- Grünes Pulsieren: Akkustand $>$ 25 % (Aufladen)
- Dauerhaft grün: Voll aufgeladen
- Dauerhaft orange: Akkustand \leq 25 %

Hinweis:

- Wenn innerhalb von 10 Minuten nach dem vollständigen Aufladen kein Betrieb erfolgt, wechselt das Gerät in den Ruhemodus. Bitte starten Sie das Gerät neu, wenn Sie es wieder benutzen möchten.
- Zur Verlängerung der Lebensdauer kühlt sich der Akku automatisch ab bevor er wieder aufgeladen wird, nachdem das Gerät längere Zeit ununterbrochen in Betrieb gewesen ist.


Verbinden mit der MOVAhome-App

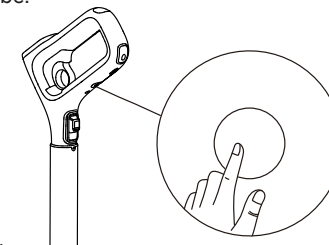
1. App herunterladen

Suchen Sie im App Store nach „MOVAhome“ oder scannen Sie den folgenden QR-Code, um die MOVAhome-App herunterzuladen und zu installieren.



2. WLAN einrichten

Drücken Sie , um das Gerät einzuschalten. Drücken Sie dann die Sprachansage-/WLAN-Taste auf der Rückseite des Griffs, um den Netzwerkkonfigurationsmodus aufzurufen. Eine pulsierende weiße WLAN-Anzeige und die Sprachansage „Warten auf Netzwerkkonfiguration“ bestätigen die Eingabe.



Hinweis:

- Vergewissern Sie sich vor diesem Schritt, dass Ihr Smartphone mit einem 2,4-GHz-WLAN-Netzwerk verbunden ist.

3. Gerät hinzufügen

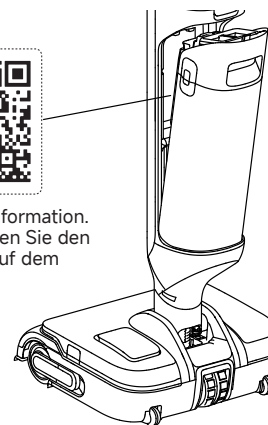
Öffnen Sie die MOVAhome-App, wählen Sie „Zum Verbinden scannen“ oder „Manuell hinzufügen“, und halten Sie sich an die auf dem Display angezeigten Instruktionen, um die Verbindung herzustellen.

Zum Verbinden scannen

Entfernen Sie den Schmutzwasserbehälter und scannen Sie den Produkt-QR-Code auf dem Gerät.



* Nur zur Information. Bitte scannen Sie den QR-Code auf dem Produkt.

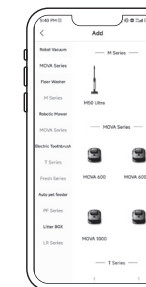


Hinweis:

- Dieses Gerät unterstützt nur 2,4-GHz-WLAN-Netzwerke.
- Da die App immer wieder aktualisiert wird, entnehmen Sie die Netzwerkkonfiguration bitte der aktuellen Benutzeroberfläche.
- Wird während der Einrichtung 10 Minuten lang keine Aktion ausgeführt oder bricht die Netzwerkverbindung ab, beendet das Gerät den Netzwerkkonfigurationsmodus. Zum Zurücksetzen des WLANs wiederholen Sie bitte die oben genannten Schritte.

Manuell hinzufügen

Wählen Sie das Produktmodell aus der Produktliste.

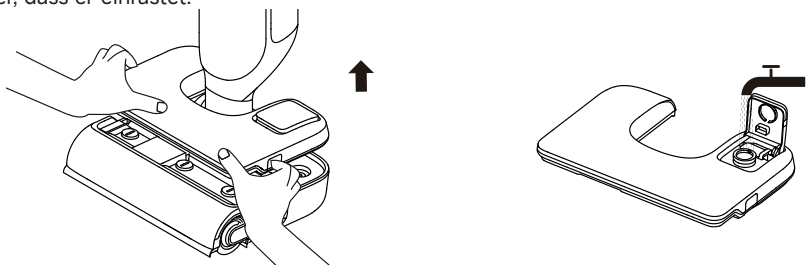


Hinweis:

- Sie finden das Produktmodell auf Android-Geräten auch im Pop-up-Fenster „Verfügbare Geräte in der Nähe“ und können es dort auswählen. Diese Funktion wird auf iOS-Geräten derzeit nicht unterstützt.

Füllen Sie den Frischwasserbehälter auf

Drücken Sie die Entriegelungstasten für den Frischwasserbehälter, um den Behälter zu entnehmen. Öffnen Sie den Behälterdeckel und füllen Sie den Behälter über den Wassereinlass mit sauberem Wasser. Bringen Sie den Behälter erneut an und stellen Sie sicher, dass er einrastet.



Reinigungsflüssigkeit einfüllen



Öffnen Sie den Deckel des Frischwasserbehälters und füllen Sie die Reinigungslösung in den entsprechenden Einlass. Im Modus „Autom. Reinigungslösung“ kann das Hauptteil das Verdünnungsverhältnis intelligent anpassen.



Hinweis:

- Um die Gefahr von Bränden und Stromschlägen durch Beschädigung interner Komponenten zu verringern, verwenden Sie nur den für das Gerät vorgesehene HFF3 Bodenreiniger von XingKuang Innovation Technology (Suzhou) Co., Ltd. Der Reiniger ist im offiziellen Online-Store erhältlich.
- Mithilfe des Flaschendeckels können Sie den Reiniger direkt in den Frischwasserbehälter geben. Messen Sie die richtige Menge ab (*ca. 3 ml pro Deckel), gießen Sie sie in den Behälter und schütteln Sie sie vorsichtig, um die Lösung vor dem Gebrauch gleichmäßig zu vermischen.

Modus umschalten

Drücken Sie , um den Modus je nach Ihren Bedürfnissen zu wechseln.  3 Sekunden lang gedrückt halten, um den Hartholzbodenmodus zu aktivieren bzw. zu deaktivieren.



Smarter Modus
Das Gerät erkennt die Stärke der Verschmutzung und passt die Saugleistung und den Wasserdurchfluss entsprechend an.



Saugmodus
Nur Wasser saugen.




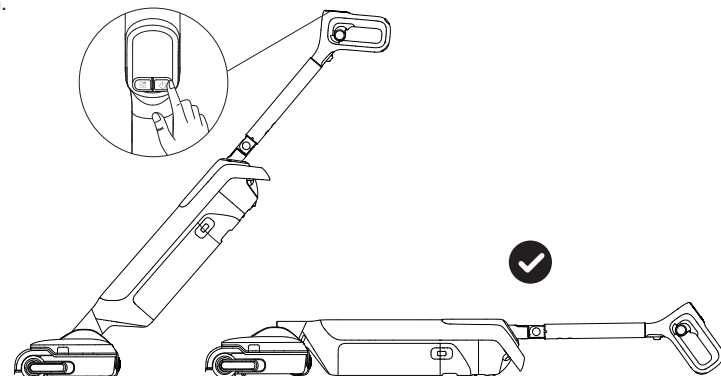
Modus zum automatischen Hinzufügen der Reinigungsflüssigkeit
Das Gerät passt das Verdünnungsverhältnis der Lösung intelligent an.

Hinweis:

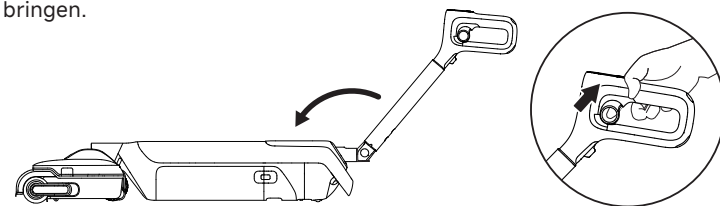
- „Ding“ signalisiert die Aktivierung des Hartholzmodus; „Ding Ding“ signalisiert die Deaktivierung des Hartholzmodus.

Reinigung starten

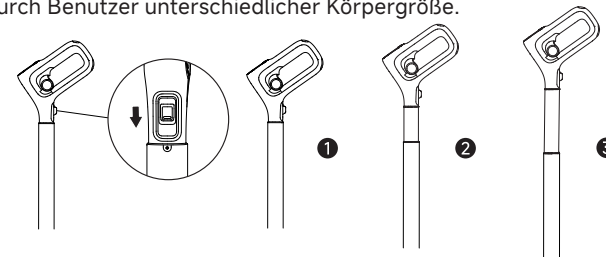
Treten Sie vorsichtig auf die Bürstenabdeckung und kippen Sie das Gerät nach hinten. Drücken Sie den Netzschalter , um die Reinigung zu starten/stoppen. Wenn sich das Gerät während der Arbeit in aufrechter Position befindet, wird die aktuelle Aufgabe unterbrochen.



Ziehen Sie am Klappring, um den Griff um 90° umzuklappen, wodurch das Gerät flach auf 180° ausgerichtet ist, um eine einfache Reinigung unter Möbeln zu ermöglichen, ohne sich bücken zu müssen. Heben Sie den Griff schnell an, um ihn wieder in die aufrechte Position zu bringen.



Wenn das Gerät aufrecht steht, können Sie den Griff durch Schieben der Verlängerungstaste auf zwei zusätzliche Längenooptionen anzupassen – dies ermöglicht eine Nutzung durch Benutzer unterschiedlicher Körpergröße.

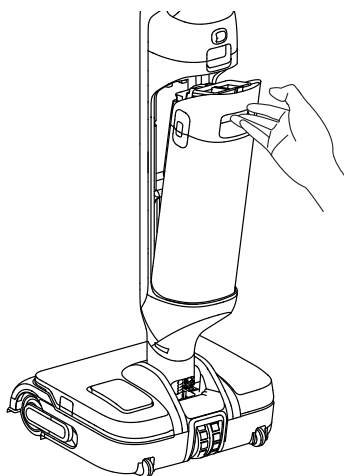


Hinweis:

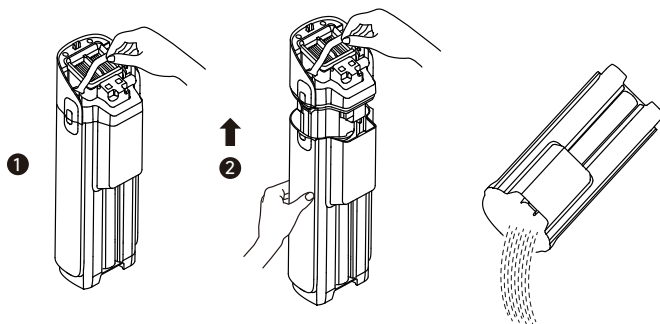
- Nicht zum Saugen von schäumenden Flüssigkeiten verwenden.
- Richten Sie das Gerät wieder in die aufrechte Position aus, bevor Sie es ausschalten, wenn es flach auf dem Boden liegt.
- Das Gerät eignet sich ausschließlich für die Reinigung von harten Oberflächen wie Holzböden, Marmor und Fliesen.
- Wenn das Gerät läuft, darf es nicht hochgehoben oder vom Boden angehoben werden, da sonst gebrauchtes Wasser in den Motor fließen kann.
- Beim Zusammenklappen des Griffs halten Sie Ihre Hände bitte vom Klappgelenk fern, damit Sie sich nicht die Finger oder die Hand quetschen.

Den Schmutzwasserbehälter leeren

1. Drücken Sie die Entriegelungstaste für den Schmutzwasserbehälter, um den Behälter herauszunehmen.



2. Ziehen Sie den Griff der Abdeckung des Schmutzwasserbehälters nach oben, um die Abdeckung abzunehmen.

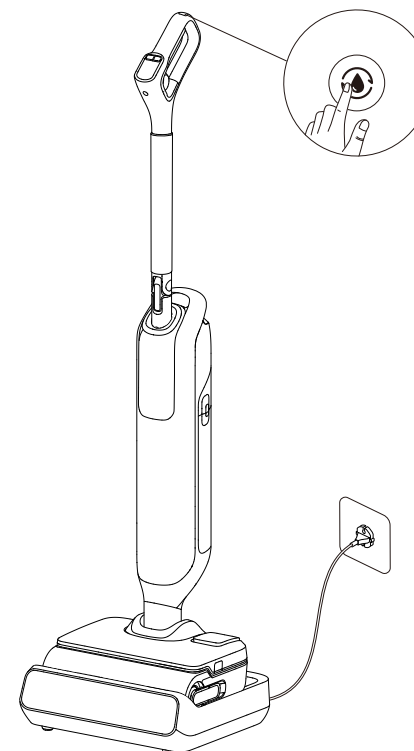


Hinweis:

- Heben Sie den Schmutzwasserbehälter nicht am Griff an oder bewegen Sie ihn nicht allein am Griff, um ein Auslaufen zu verhindern.

Heißwasser-Selbstreinigung Trocknung durch Warmluft

	Kurz drücken	Aktiviert die intelligente Selbstreinigung
	Innerhalb von 3 Sekunden nach Beginn der Selbstreinigung antippen	Schaltet auf Tiefen-Selbstreinigung um
	3 Sekunden lang drücken	Aktiviert den Trocknungsmodus
	Während des Trocknens kurz drücken	Beenden



Hinweis:

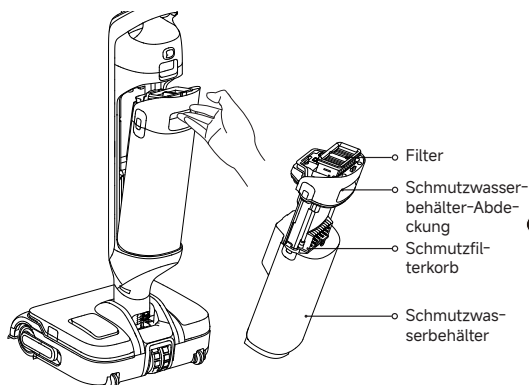
- Vor dem Start der Selbstreinigung setzen Sie das Gerät bitte wieder auf die Basis und vergewissern sich, dass der Frischwasserbehälter ausreichend gefüllt ist.
- Nach Abschluss der Selbstreinigung wechselt das Gerät in den Trocknungsmodus. Bitte leeren Sie den Schmutzwasserbehälter umgehend.
- Der Selbstreinigung-Modus kann über die App eingestellt werden; die Standardeinstellung ist der Smarte Modus.
- Berühren Sie während der Selbstreinigung mit heißem Wasser nicht die Rollenbürste, das heiße Wasser oder das Heizmodul der Station.
- Die Selbstreinigungsfunktion kann nur aktiviert werden, wenn das Gerät aufgeladen wird und der Akkustand mehr als 25 % beträgt. Wenn der Akkustand niedriger ist, laden Sie das Gerät bitte auf 25 % auf, bevor Sie die Selbstreinigungsfunktion aktivieren.

Tipps:

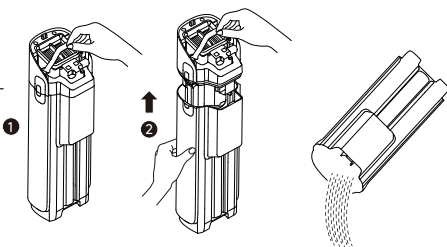
- Schalten Sie das Gerät vor der Wartung aus. Passen Sie auf, dass Sie nicht versehentlich die Einschalttaste drücken.
- Teile müssen bei Bedarf ausgetauscht werden. Bitte verwenden Sie die vom Originalwerk vorgesehenen Teile, um Schäden am Produkt aufgrund von Ungeeignetheit zu vermeiden.
- Wenn das Gerät längere Zeit nicht verwendet wird, laden Sie es vollständig auf, ziehen Sie den Netzstecker ab und lagern Sie das Gerät in einer kühlen Umgebung mit geringer Luftfeuchtigkeit, fern von direkter Sonneneinstrahlung. Laden Sie das Gerät mindestens alle 3 Monate auf, um eine Überentladung des Akkus zu vermeiden.

Den Schmutzwasserbehälter reinigen

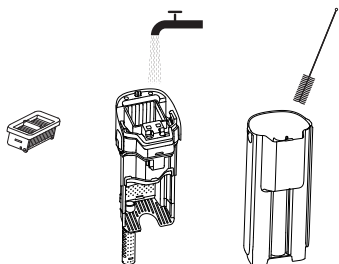
1. Drücken Sie die Entriegelungsklammer, um den Schmutzwasserbehälter zu entfernen.



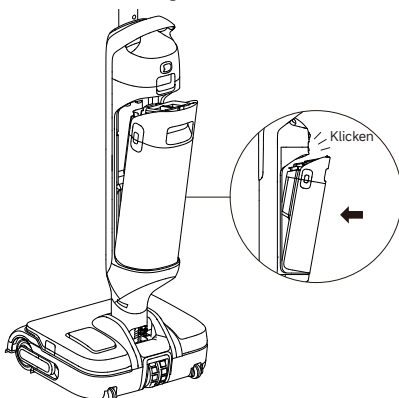
2. Ziehen Sie den Griff der Behälterabdeckung nach oben, um die Abdeckung anzuheben. Entfernen Sie den Filter und schütten Sie das Schmutzwasser aus.



3. Säubern Sie den Feststoffabfall und spülen Sie den Behälter und die Behälterabdeckung mit sauberem Wasser aus. Reinigen Sie die Innenwände des Behälters mit der mitgelieferten Reinigungsbürste.



4. Setzen Sie den Filter und die Behälterabdeckung wieder ein. Setzen Sie anschließend den Behälter wieder ein bis Sie ein Klickgeräusch hören.



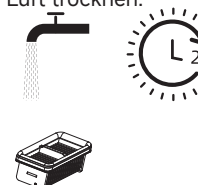
Hinweis: Es wird empfohlen, den Schmutzwasserbehälter rechtzeitig nach jedem Gebrauch sowie vor und nach der Selbstreinigung zu reinigen.

Den Filter reinigen

1. Nehmen Sie den Filter heraus und klopfen Sie den auf der Oberfläche befindlichen Staub vorsichtig ab.



2. Wenn der Filter verschmutzt ist, spülen Sie ihn mit sauberem Wasser aus. Lassen Sie ihn vor dem Wiedereinbau vollständig an der Luft trocknen.

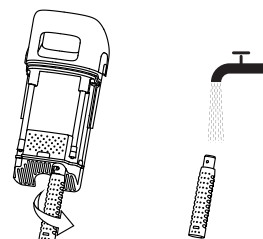


Hinweis:

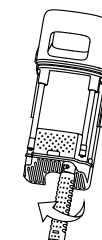
1. Es wird empfohlen, den Filter alle 3 bis 6 Monate auszutauschen.
2. Bitte lassen Sie den Filter vor der erneuten Verwendung vollständig an der Luft trocknen, wenn er nass geworden ist, um eine Verkürzung seiner Lebensdauer zu vermeiden.

Den Lufterfrischer reinigen

1. Halten Sie den Lufterfrischer fest, drehen Sie ihn, um ihn zu entriegeln und zu entfernen, und spülen Sie ihn dann mit sauberem Wasser ab.



2. Drehen Sie ihn nach der Reinigung wieder fest und lassen Sie ihn einrasten.

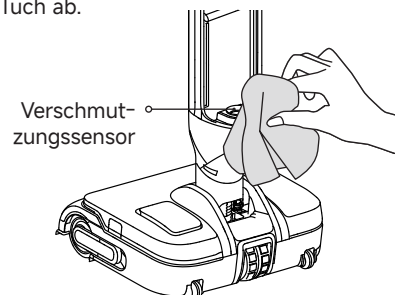


Hinweis:

1. Reinigen Sie nach Bedarf. Es wird empfohlen, den Lufterfrischer alle 3 bis 6 Monate auszutauschen.
2. Um sicherzustellen, dass der Lufterfrischer effektiv funktioniert, sollten Sie den Schmutzwasserbehälter nach jedem Gebrauch sofort reinigen.

Reinigung des Rohres und des Verschmutzungssensors

Nehmen Sie den Schmutzwasserbehälter heraus, wischen Sie den Schlauch und den Verschmutzungssensor mit einem feuchten Tuch ab.



Hinweis: Spülen Sie den Schlauch oder den Verschmutzungssensor nicht mit Wasser ab.

Antriebsrad reinigen

Reinigen Sie das Antriebsrad regelmäßig.

