

EN	User Manual	2
	Refrigerator	
FR	Notice d'utilisation	15
	Réfrigérateur	
ES	Manual de instrucciones	30
	Frigorífico	
SV	Bruksanvisning	44
	Kylskåp	

SKS51240S1



Downloaded from www.vandenborre.be



 **AEG**
perfekt in form und funktion

CONTENTS

1. SAFETY INFORMATION.....	3
2. SAFETY INSTRUCTIONS.....	4
3. OPERATION.....	5
4. DAILY USE.....	6
5. HINTS AND TIPS.....	7
6. CARE AND CLEANING.....	8
7. TROUBLESHOOTING.....	10
8. INSTALLATION.....	12
9. NOISES.....	13
10. TECHNICAL INFORMATION.....	14

FOR PERFECT RESULTS

Thank you for choosing this AEG product. We have created it to give you impeccable performance for many years, with innovative technologies that help make life simpler features you might not find on ordinary appliances. Please spend a few minutes reading to get the very best from it.

Visit our website for:



Get usage advice, brochures, trouble shooter, service information:
www.aeg.com



Register your product for better service:
www.registeraeg.com



Buy Accessories, Consumables and Original spare parts for your appliance:
www.aeg.com/shop

CUSTOMER CARE AND SERVICE

Always use original spare parts.

When contacting our Authorised Service Centre, ensure that you have the following data available: Model, PNC, Serial Number.

The information can be found on the rating plate.

 Warning / Caution-Safety information

 General information and tips

 Environmental information

Subject to change without notice.

1. ⚠ SAFETY INFORMATION

Before the installation and use of the appliance carefully read the supplied instructions. The manufacturer is not responsible if an incorrect installation and use causes injuries and damages. Always keep the instructions with the appliance for future reference.

1.1 Children and vulnerable people safety

- This appliance can be used by children aged from 8 years and above and persons with reduced physical, sensory or mental capabilities or lack of experience and knowledge if they have been given supervision or instruction concerning use of the appliance in a safe way and understand the hazards involved.
- Do not let children play with the appliance.
- Cleaning and user maintenance shall not be made by children without supervision.
- Keep all packaging away from children.

1.2 General Safety

- This appliance is intended to be used in household and similar applications such as:
 - Farm houses; staff kitchen areas in shops, offices and other working environments
 - By clients in hotels, motels, bed and breakfast and other residential type environments
- Keep ventilation openings, in the appliance enclosure or in the built-in structure, clear of obstruction.
- Do not use mechanical devices or other means to accelerate the defrosting process, other than those recommended by the manufacturer.
- Do not damage the refrigerant circuit.
- Do not use electrical appliances inside the food storage compartments of the appliance, unless they are of the type recommended by the manufacturer.

- Do not use water spray and steam to clean the appliance.
- Clean the appliance with a moist soft cloth. Only use neutral detergents. Do not use abrasive products, abrasive cleaning pads, solvents or metal objects.
- Do not store explosive substances such as aerosol cans with a flammable propellant in this appliance.
- If the supply cord is damaged, it must be replaced by the manufacturer, its service agent or similarly qualified persons in order to avoid a hazard.

2. SAFETY INSTRUCTIONS

2.1 Installation



WARNING!

Only a qualified person must install this appliance.

- Remove all the packaging.
- Do not install or use a damaged appliance.
- Obey the installation instruction supplied with the appliance.
- Always be careful when you move the appliance because it is heavy. Always wear safety gloves.
- Make sure the air can circulate around the appliance.
- Wait at least 4 hours before connecting the appliance to the power supply. This is to allow the oil to flow back in the compressor.
- Do not install the appliance close to radiators or cookers, oven or hobs.
- The rear of the appliance must stand against the wall.
- Do not install the appliance where there is direct sunlight.
- Do not install this appliance in areas that are too humid or too colds, such as the construction appendices, garages or wine cellars.
- When you move the appliance, lift it by the front edge to avoid scratching the floor.

2.2 Electrical connection



WARNING!

Risk of fire and electrical shock.

- The appliance must be earthed.
- Make sure that the electrical information on the rating plate agrees with the power supply. If not, contact an electrician.
- Always use a correctly installed shockproof socket.
- Do not use multi-plug adapters and extension cables.
- Make sure not to cause damage to the electrical components (e.g. mains plug, mains cable, compressor). Contact the Service or an electrician to change the electrical components.
- The mains cable must stay below the level of the mains plug.
- Connect the mains plug to the mains socket only at the end of the installation. Make sure that there is access to the mains plug after the installation.
- Do not pull the mains cable to disconnect the appliance. Always pull the mains plug.

2.3 Use



WARNING!

Risk of injury, burns, electrical shock or fire.

- Do not change the specification of this appliance.
 - Do not put electrical appliances (e.g. ice cream makers) in the appliance unless they are stated applicable by the manufacturer.
 - Be careful not to cause damage to the refrigerant circuit. It contains isobutane (R600a), a natural gas with a high level of environmental compatibility. This gas is flammable.
 - If damage occurs to the refrigerant circuit, make sure that there are no flames and sources of ignition in the room. Ventilate the room.
 - Do not let hot items to touch the plastic parts of the appliance.
 - Do not put soft drinks in the freezer compartment. This will create pressure on the drink container.
 - Do not store flammable gas and liquid in the appliance.
 - Do not put flammable products or items that are wet with flammable products in, near or on the appliance.
 - Do not touch the compressor or the condenser. They are hot.
 - Do not remove or touch items from the freezer compartment if your hands are wet or damp.
 - Do not freeze again food that has been thawed.
 - Obey the storage instructions on the packaging of frozen food.
- Before maintenance, deactivate the appliance and disconnect the mains plug from the mains socket.
 - This appliance contains hydrocarbons in the cooling unit. Only a qualified person must do the maintenance and the recharging of the unit.
 - Regularly examine the drain of the appliance and if necessary, clean it. If the drain is blocked, defrosted water collects in the bottom of the appliance.

2.5 Disposal



WARNING!

Risk of injury or suffocation.

- Disconnect the appliance from the mains supply.
- Cut off the mains cable and discard it.
- Remove the door to prevent children and pets to be closed inside of the appliance.
- The refrigerant circuit and the insulation materials of this appliance are ozone-friendly.
- The insulation foam contains flammable gas. Contact your municipal authority for information on how to discard the appliance correctly.
- Do not cause damage to the part of the cooling unit that is near the heat exchanger.

2.4 Care and cleaning



WARNING!

Risk of injury or damage to the appliance.

3. OPERATION

3.1 Switching on

1. Insert the plug into the wall socket.
2. Turn the Temperature regulator clockwise to a medium setting.

3.2 Switching off

To turn off the appliance, turn the temperature regulator to the "0" position.

3.3 Temperature regulation

The temperature is regulated automatically.



A medium setting is generally the most suitable. However, the exact setting should be chosen keeping in mind that the temperature inside the appliance depends on:

- room temperature,
- how often the door is opened,
- the quantity of food stored,
- the location of the appliance.

1. Turn the Temperature regulator toward lower settings to obtain the minimum coldness.
2. Turn the Temperature regulator toward higher settings to obtain the maximum coldness.

4. DAILY USE

4.1 Freezing fresh food

The freezer compartment is suitable for freezing fresh food and storing frozen and deep-frozen food for a long time.

To freeze fresh foods it is not necessary to change the medium setting.

However, for a faster freezing operation, turn the temperature regulator toward higher settings to obtain the maximum coldness.



CAUTION!

In this condition, the refrigerator compartment temperature might drop below 0°C. If this occurs reset the temperature regulator to a warmer setting.

4.2 Thawing

Deep-frozen or frozen food, prior to being used, can be thawed in the refrigerator compartment or at room temperature, depending on the time available for this operation.

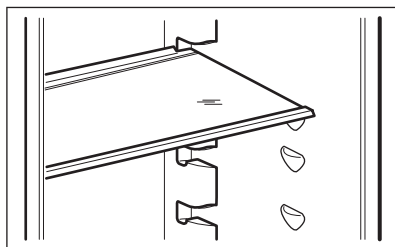
Small pieces may even be cooked still frozen, directly from the freezer: in this case, cooking will take longer.



CAUTION!

If the ambient temperature is high or the appliance is fully loaded, and the appliance is set to the lowest temperatures, it may run continuously causing frost to form on the rear wall. In this case the dial must be set to a higher temperature to allow automatic defrosting and therefore reduced energy consumption.

4.3 Movable shelves



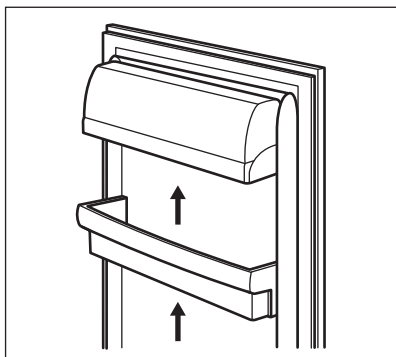
The walls of the refrigerator are equipped with a series of supports so that the shelves can be positioned as desired.

4.4 Positioning the door shelves

To permit storage of food packages of various sizes, the door shelves can be placed at different heights.

To make these adjustments proceed as follows:

1. Gradually pull the shelf in the direction of the arrows until it comes free



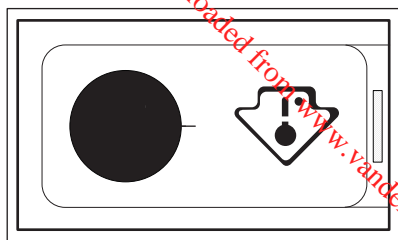
2. Reposition the shelf as required.

4.5 Temperature Indicator



This appliance is sold in France.

In accordance with regulations valid in this country it must be provided with a special device (see figure) placed in the lower compartment of the fridge to indicate the coldest zone of it.



5. HINTS AND TIPS

5.1 Normal operating sounds

The following sounds are normal during operation:

- A faint gurgling and bubbling sound from coils sound when refrigerant is pumped.
- A whirring and pulsating sound from the compressor when refrigerant is pumped.
- A sudden cracking noise from inside appliance caused by thermic dilatation (a natural and not dangerous physical phenomenon).
- A faint click noise from the temperature regulator when the compressor switches on or off.

5.2 Hints for energy saving

- Do not open the door frequently or leave it open longer than absolutely necessary.

- If the ambient temperature is high and the Temperature Regulator is set to low temperature and the appliance is fully loaded, the compressor may run continuously, causing frost or ice on the evaporator. If this happens, set the Temperature Regulator toward warmer settings to allow automatic defrosting and so a saving in electricity consumption.

5.3 Hints for fresh food refrigeration

To obtain the best performance:

- do not store warm food or evaporating liquids in the refrigerator
- do cover or wrap the food, particularly if it has a strong flavour
- position food so that air can circulate freely around it

5.4 Hints for refrigeration

Useful hints:

- Meat (all types) : wrap in polythene bags and place on the glass shelf above the vegetable drawer.
- For safety, store in this way only one or two days at the most.
- Cooked foods, cold dishes, etc...: these should be covered and may be placed on any shelf.
- Fruit and vegetables: these should be thoroughly cleaned and placed in the special drawer(s) provided.
- Butter and cheese: these should be placed in special airtight containers or wrapped in aluminium foil or polythene bags to exclude as much air as possible.
- Bottles: these need a cap and should be stored on the door bottle shelf, or (if equipped) on the bottle rack.
- Bananas, potatoes, onions and garlic, if not packed, must not be kept in the refrigerator.

5.5 Hints for freezing

To help you make the most of the freezing process, here are some important hints:

- the maximum quantity of food which can be frozen in 24 hrs. is shown on the rating plate;
- the freezing process takes 24 hours. No further food to be frozen should be added during this period;
- freeze only top quality, fresh and thoroughly cleaned, foodstuffs;
- prepare food in small portions to enable it to be rapidly and completely

frozen and to make it possible subsequently to thaw only the quantity required;

- wrap up the food in aluminium foil or polythene and make sure that the packages are airtight;
- do not allow fresh, unfrozen food to touch food which is already frozen, thus avoiding a rise in temperature of the latter;
- lean foods store better and longer than fatty ones; salt reduces the storage life of food;
- water ices, if consumed immediately after removal from the freezer compartment, can possibly cause the skin to be freeze burnt;
- it is advisable to show the freezing in date on each individual pack to enable you to keep tab of the storage time.

5.6 Hints for storage of frozen food

To obtain the best performance from this appliance, you should:

- make sure that the commercially frozen foodstuffs were adequately stored by the retailer;
- be sure that frozen foodstuffs are transferred from the foodstore to the freezer in the shortest possible time;
- not open the door frequently or leave it open longer than absolutely necessary;
- once defrosted, food deteriorates rapidly and cannot be refrozen;
- do not exceed the storage period indicated by the food manufacturer.

6. CARE AND CLEANING



WARNING!

Refer to Safety chapters.

6.1 General warnings



CAUTION!

Unplug the appliance before carrying out any maintenance operation.



This appliance contains hydrocarbons in its cooling unit; maintenance and recharging must therefore only be carried out by authorized technicians.

- i** The accessories and parts of the appliance are not suitable for washing in a dishwasher.

6.2 Periodic cleaning

- !** **CAUTION!**
Do not pull, move or damage any pipes and/or cables inside the cabinet.
- !** **CAUTION!**
Take care of not to damage the cooling system.
- !** **CAUTION!**
When moving the cabinet, lift it by the front edge to avoid scratching the floor.

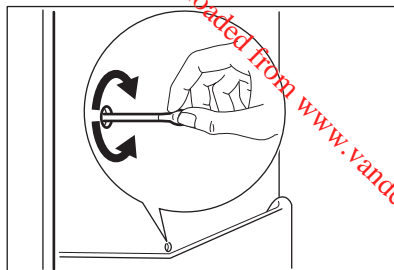
The equipment has to be cleaned regularly:

1. Clean the inside and accessories with lukewarm water and some neutral soap.
2. Regularly check the door seals and wipe clean to ensure they are clean and free from debris.
3. Rinse and dry thoroughly.
4. If accessible, clean the condenser and the compressor at the back of the appliance with a brush. This operation will improve the performance of the appliance and save electricity consumption.

6.3 Defrosting of the refrigerator

Frost is automatically eliminated from the evaporator of the refrigerator compartment every time the motor compressor stops, during normal use. The defrost water drains out through a trough into a special container at the back of the appliance, over the motor compressor, where it evaporates.

It is important to periodically clean the defrost water drain hole in the middle of the refrigerator compartment channel to prevent the water overflowing and dripping onto the food inside.



6.4 Defrosting the freezer

- !** **CAUTION!**
Never use sharp metal tools to scrape off frost from the evaporator as you could damage it. A temperature rise of the frozen food packs, during defrosting, may shorten their safe storage life. Do not use a mechanical device or any artificial means to speed up the thawing process other than those recommended by the manufacturer.

A certain amount of frost will always form on the freezer shelves and around the top compartment.

Defrost the freezer when the frost layer reaches a thickness of about 3-5 mm.

1. Pull out the plug from the wall socket or switch off the appliance.
2. Remove any stored food, wrap it in several layers of newspaper and put it in a cool place

- !** **CAUTION!**
Do not touch frozen goods with wet hands. Hands can freeze to the goods.

3. Open the door. In order to speed up the defrosting process, place a pot of warm water in the freezer compartment. In addition,

remove pieces of ice that break away before defrosting is complete.

4. When defrosting is completed, dry the interior thoroughly.
5. Switch on the appliance.
6. Set the temperature regulator to obtain the maximum coldness and run the appliance for two or three hours using this setting.
7. Reload the previously removed food into the compartment.



WARNING

If the cabinet will be kept on, ask somebody to check it once in a while to prevent the food inside from spoiling in case of a power failure.

6.5 Periods of non-operation

When the appliance is not in use for long periods, take the following precautions:

1. Disconnect the appliance from electricity supply.
2. Remove all food.
3. Defrost (if necessary) and clean the appliance and all accessories.
4. Clean the appliance and all accessories.
5. Leave the door/doors open to prevent unpleasant smells.

7. TROUBLESHOOTING



WARNING!

Refer to Safety chapters.

7.1 What to do if...

Problem	Possible cause	Solution
The appliance does not operate.	The appliance is switched off.	Switch on the appliance.
	The mains plug is not connected to the mains socket correctly.	Connect the mains plug to the mains socket correctly.
	There is no voltage in the mains socket.	Connect a different electrical appliance to the mains socket. Contact a qualified electrician.
The appliance is noisy.	The appliance is not supported properly.	Check if the appliance stands stable.
The compressor operates continually.	Temperature is set incorrectly.	Refer to "Operation" chapter.
	Many food products were put in at the same time.	Wait some hours and then check the temperature again.

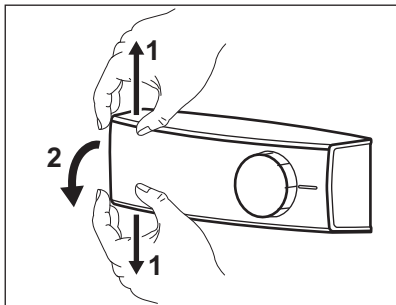
Problem	Possible cause	Solution
	The room temperature is too high.	Refer to climate class chart on the rating plate.
	Food products placed in the appliance were too warm.	Allow food products to cool to room temperature before storing.
	The water drainage plug is not correctly positioned.	Position the water drainage plug in the correct way.
	Food products are not wrapped properly.	Wrap the food products better.
	Temperature is set incorrectly.	Refer to "Operation" chapter.
Water flows inside the refrigerator.	The water outlet is clogged.	Clean the water outlet.
	Food products prevent that water flows into the water collector.	Make sure that food products do not touch the rear plate.
Water flows on the floor.	The melting water outlet is not connected to the evaporative tray above the compressor.	Attach the melting water outlet to the evaporative tray.
The temperature in the appliance is too low/too high.	The temperature regulator is not set correctly.	Set a higher/lower temperature.
	The door is not closed correctly.	Refer to "Closing the door".
	The food products' temperature is too high.	Let the food products temperature decrease to room temperature before storage.
	Many food products are stored at the same time.	Store less food products at the same time.
	The thickness of the frost is greater than 4-5 mm.	Defrost the appliance.
	The door has been opened often.	Open the door only if necessary.



If the advice does not lead to the desired result, call the nearest brand-mark service.

7.2 Replacing the lamp

1. Disconnect the plug from the mains socket
2. At the same time, with the fingers expand up and down the transparent cover and unhook it in the direction of the arrows.



3. Replace the lamp with one of the same power and shape, specifically designed for household appliances.

8. INSTALLATION

8.1 Positioning

This appliance can be installed in a dry, well ventilated indoor where the ambient temperature corresponds to the climate class indicated on the rating plate of the appliance:

Climate class	Ambient temperature
SN	+10°C to + 32°C
N	+16°C to + 32°C
ST	+16°C to + 38°C
T	+16°C to + 43°C



Some functional problems might occur for some types of models when operating outside of that range. The correct operation can only be guaranteed within the specified temperature range. If you have any doubts regarding where to install the appliance, please turn to the vendor, to our customer service or to the nearest Service Centre

8.2 Electrical connection

- Before plugging in, ensure that the voltage and frequency shown on the

(the maximum power is shown on the light bulb cover).

4. Reassemble the lamp cover.
5. Connect the plug to the mains socket.

Open the door. Make sure that the light comes on.

7.3 Closing the door

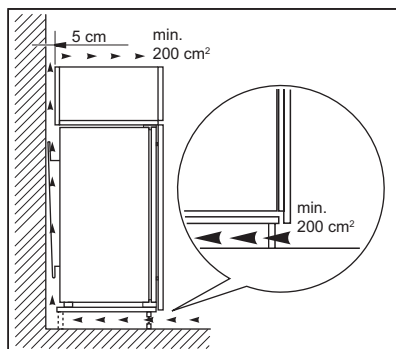
1. Clean the door gaskets.
2. If necessary, adjust the door. Refer to "Installation".
3. If necessary, replace the defective door gaskets. Contact the After Sales Service.

rating plate correspond to your domestic power supply.

- The appliance must be earthed. The power supply cable plug is provided with a contact for this purpose. If the domestic power supply socket is not earthed, connect the appliance to a separate earth in compliance with current regulations, consulting a qualified electrician.
- The manufacturer declines all responsibility if the above safety precautions are not observed.
- This appliance complies with the E.E.C. Directives.

8.3 Ventilation requirements

The airflow behind the appliance must be sufficient.

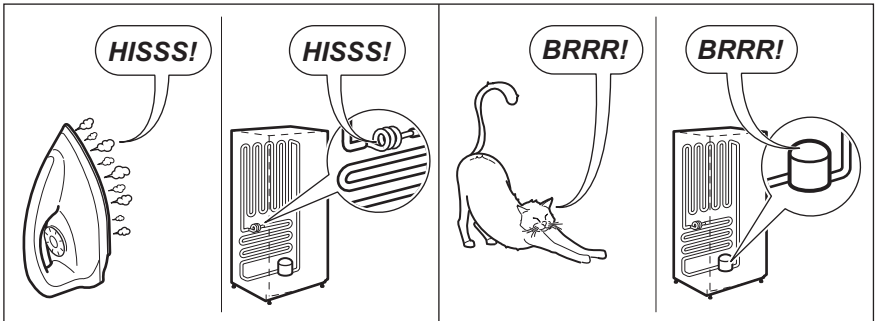
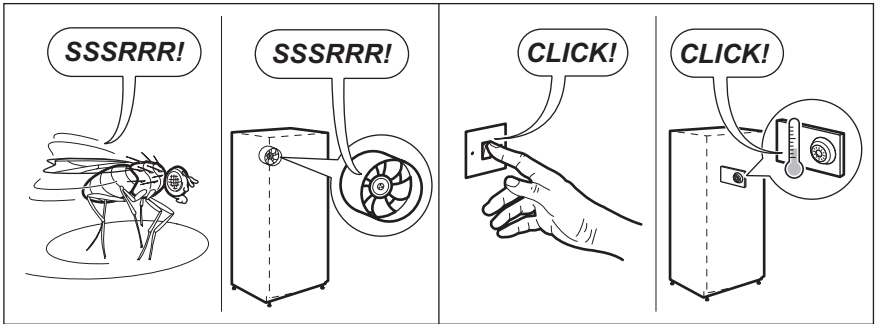
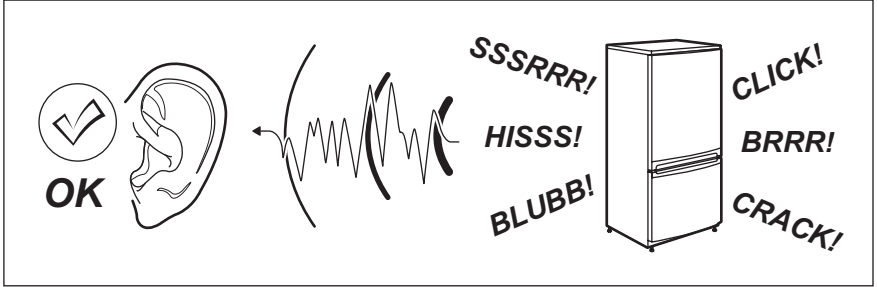


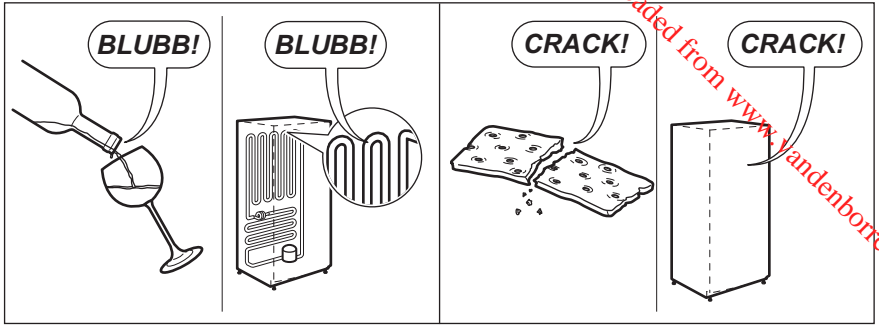


CAUTION!
Refer to the assembly instructions for the installation.

9. NOISES

There are some sounds during normal running (compressor, refrigerant circulation).





Downloaded from www.vandenborre.be

10. TECHNICAL INFORMATION


10.1 Technical data

Dimensions of the recess		
Height	mm	1225
Width	mm	560
Depth	mm	550
Rising time	Hours	12
Voltage	Volts	230 - 240
Frequency	Hz	50

The technical information are situated in the rating plate, on the external or

internal side of the appliance and in the energy label.

11. ENVIRONMENT CONCERNS

Recycle the materials with the symbol . Put the packaging in applicable containers to recycle it. Help protect the environment and human health and to recycle waste of electrical and electronic appliances. Do not dispose appliances


marked with the symbol  with the household waste. Return the product to your local recycling facility or contact your municipal office.

TABLE DES MATIÈRES

1. CONSIGNES DE SÉCURITÉ.....	16
2. INSTRUCTIONS DE SÉCURITÉ.....	17
3. FONCTIONNEMENT.....	19
4. UTILISATION QUOTIDIENNE.....	19
5. CONSEILS.....	20
6. ENTRETIEN ET NETTOYAGE.....	22
7. EN CAS D'ANOMALIE DE FONCTIONNEMENT.....	24
8. INSTALLATION.....	26
9. BRUITS.....	27
10. CARACTÉRISTIQUES TECHNIQUES.....	28

POUR DES RÉSULTATS PARFAITS

Merci d'avoir choisi ce produit AEG. Nous l'avons conçu pour qu'il vous offre des performances irréprochables pour longtemps, en intégrant des technologies innovantes qui vous simplifient la vie grâce à des caractéristiques que vous ne trouverez pas forcément sur des appareils ordinaires. Veuillez prendre quelques instants pour lire cette notice afin d'utiliser au mieux votre appareil.

Visitez notre site Internet pour :



Obtenir des conseils d'utilisation, des brochures, de l'aide, des informations :
www.aeg.com



Enregistrer votre produit pour obtenir un meilleur service :
www.registeraeg.com



Acheter des accessoires, consommables et pièces de rechange d'origine pour votre appareil :
www.aeg.com/shop

SERVICE APRÈS-VENTE

N'utilisez que des pièces de rechange d'origine.

Avant de contacter le service, assurez-vous de disposer des informations suivantes : Modèle, PNC, numéro de série.

Vous trouverez ces informations sur la plaque signalétique.

 Avertissement/Attention : consignes de sécurité.

 Informations générales et conseils.

 Informations en matière de protection de l'environnement.

Sous réserve de modifications.

1. ⚠️ CONSIGNES DE SÉCURITÉ

Avant d'installer et d'utiliser cet appareil, lisez soigneusement les instructions fournies. Le fabricant ne peut être tenu pour responsable des dommages et blessures liés à une mauvaise installation ou utilisation. Conservez toujours cette notice avec votre appareil pour vous y référer ultérieurement.

1.1 Sécurité des enfants et des personnes vulnérables

- Cet appareil peut être utilisé par des enfants âgés d'au moins 8 ans et par des personnes ayant des capacités physiques, sensorielles ou mentales réduites ou dénuées d'expérience ou de connaissance, s'ils (si elles) sont correctement surveillé(e)s ou si des instructions relatives à l'utilisation de l'appareil en toute sécurité leur ont été données et si les risques encourus ont été appréhendés.
- Les enfants ne doivent pas jouer avec l'appareil.
- Le nettoyage et l'entretien par l'utilisateur ne doivent pas être effectués par des enfants sans surveillance.
- Ne laissez pas les emballages à la portée des enfants.

1.2 Consignes générales de sécurité

- Cet appareil est conçu uniquement pour un usage domestique et des utilisations telles que :
 - dans les bâtiments de ferme, dans des cuisines réservées aux employés dans des magasins, bureaux et autres lieux de travail ;
 - pour une utilisation privée, par les clients, dans des hôtels et autres lieux de séjour.
- Veillez à ce que les orifices de ventilation, situés dans l'enceinte de l'appareil ou dans la structure intégrée, ne soient pas obstrués.
- N'utilisez aucun dispositif mécanique ou autre appareil pour accélérer le processus de dégivrage que ceux recommandés par le fabricant.

- N'endommagez pas le circuit frigorifique.
- N'utilisez pas d'appareils électriques à l'intérieur des compartiments de conservation des aliments de l'appareil, sauf s'ils sont du type recommandé par le fabricant.
- Ne pulvérisez pas d'eau ni de vapeur pour nettoyer l'appareil.
- Nettoyez l'appareil avec un chiffon doux humide. Utilisez uniquement des produits de nettoyage neutres. N'utilisez pas de produits abrasifs, de tampons à récurer, de solvants ni d'objets métalliques.
- Ne conservez aucune substance explosive dans cet appareil, comme des aérosols contenant un produit inflammable.
- Si le câble d'alimentation est endommagé, il doit être remplacé par le fabricant, son service après-vente ou des personnes de qualification similaire afin d'éviter un danger.

2. INSTRUCTIONS DE SÉCURITÉ

2.1 Installation



AVERTISSEMENT!

L'appareil doit être installé uniquement par un professionnel qualifié.

- Retirez l'intégralité de l'emballage
- N'installez pas et ne branchez pas un appareil endommagé.
- Suivez scrupuleusement les instructions d'installation fournies avec l'appareil.
- Soyez toujours vigilants lorsque vous déplacez l'appareil car il est lourd. Portez toujours des gants de sécurité.
- Assurez-vous que l'air circule autour de l'appareil.
- Attendez au moins 4 heures avant de brancher l'appareil sur le secteur. Cela permet à l'huile de refouler dans le compresseur.
- N'installez pas l'appareil à proximité d'un radiateur, d'une cuisinière, d'un four ou d'une table de cuisson.

- La surface arrière de l'appareil doit être positionnée contre un mur.
- N'installez pas l'appareil dans un endroit exposé à la lumière directe du soleil.
- N'installez pas l'appareil dans un endroit trop humide ou trop froid, comme une dépendance extérieure, un garage ou une cave.
- Lorsque vous déplacez l'appareil, veillez à le soulever par l'avant pour éviter de rayer le sol.

2.2 Connexion électrique



AVERTISSEMENT!

Risque d'incendie ou d'électrocution.

- L'appareil doit être relié à la terre.
- Vérifiez que les données électriques figurant sur la plaque signalétique correspondent à celles de votre réseau. Si ce n'est pas le cas, contactez un électricien.

- Utilisez toujours une prise de courant de sécurité correctement installée.
- N'utilisez pas d'adaptateurs multiprises ni de rallonges.
- Veillez à ne pas endommager les composants électriques tels que la fiche secteur, le câble d'alimentation ou le compresseur. Contactez le service après-vente ou un électricien pour changer les composants électriques.
- Le câble d'alimentation doit rester en dessous du niveau de la fiche secteur.
- Ne connectez la fiche d'alimentation secteur à la prise de courant secteur qu'à la fin de l'installation. Assurez-vous que la fiche d'alimentation est accessible une fois l'appareil installé.
- Ne tirez jamais sur le câble d'alimentation électrique pour débrancher l'appareil. Tirez toujours sur la fiche.
- Ne placez pas de produits inflammables ou d'éléments imbibés de produits inflammables à l'intérieur ou à proximité de l'appareil, ni sur celui-ci.
- Ne touchez pas le compresseur ni le condenseur. Ils sont chauds.
- Ne retirez pas et ne touchez pas les éléments du compartiment congélateur avec les mains mouillées ou humides.
- Ne recongelez jamais un aliment qui a été décongelé.
- Respectez les instructions de stockage figurant sur l'emballage des aliments surgelés.

2.3 Usage



AVERTISSEMENT!

Risque de blessures, de brûlures, d'électrocution ou d'incendie.

- Ne modifiez pas les caractéristiques de cet appareil.
- Ne placez aucun appareil électrique (sorbetière, etc.) dans l'appareil, en l'absence d'indications du fabricant.
- Veillez à ne pas endommager le circuit frigorifique. Il contient de l'isobutane (R600a), un gaz naturel ayant un niveau élevé de compatibilité environnementale. Ce gaz est inflammable.
- Si le circuit frigorifique est endommagé, assurez-vous de l'absence de flammes et de sources d'ignition dans la pièce. Aérez la pièce.
- Évitez tout contact d'éléments chauds avec les parties en plastique de l'appareil.
- Ne placez jamais de boissons gazeuses dans le congélateur. Cela engendrerait une pression sur le récipient de la boisson.
- Ne stockez jamais de gaz ou de liquide inflammable dans l'appareil.



AVERTISSEMENT!

Risque de blessure corporelle ou de dommages matériels.

- Avant toute opération d'entretien, éteignez l'appareil et débranchez la fiche de la prise secteur.
- Cet appareil contient des hydrocarbures dans son circuit de réfrigération. L'entretien et la recharge du circuit de réfrigération doivent être effectués par un professionnel qualifié.
- Examinez régulièrement l'écoulement de l'appareil et si nécessaire, nettoyez-le. Si l'orifice est bouché, l'eau provenant du dégivrage s'écoulera en bas de l'appareil.

2.5 Mise au rebut



AVERTISSEMENT!

Risque de blessure ou d'asphyxie.

- Débranchez l'appareil de l'alimentation électrique.
- Coupez le câble d'alimentation et mettez-le au rebut.
- Retirez la porte pour empêcher les enfants et les animaux de s'enfermer dans l'appareil.
- Le circuit frigorifique et les matériaux d'isolation de cet appareil préservent la couche d'ozone.

- La mousse isolante contient un gaz inflammable. Contactez votre service municipal pour obtenir des informations sur la marche à suivre pour mettre l'appareil au rebut.
- N'endommagez pas la partie du circuit de réfrigération située à proximité du condenseur thermique.

3. FONCTIONNEMENT

3.1 Mise en marche

1. Insérez la fiche dans la prise murale.
2. Tournez le thermostat vers la droite sur une position médiane.

3.2 Mise à l'arrêt

Pour éteindre l'appareil, tournez le thermostat sur la position « "0" ».

3.3 Réglage de la température

La température est réglée automatiquement.



Un réglage intermédiaire est généralement le plus indiqué.

Toutefois, on obtiendra le réglage exact en tenant compte du fait que la température à l'intérieur de l'appareil dépend de plusieurs facteurs :

- la température ambiante,
- la fréquence d'ouverture de la porte,
- la quantité d'aliments stockés,
- l'emplacement de l'appareil.

1. Tournez le thermostat sur la position minimale pour obtenir moins de froid.
2. Tournez le thermostat sur la position maximale pour obtenir plus de froid.



ATTENTION!

Si la température ambiante est élevée ou l'appareil très rempli et si le thermostat est réglé sur la température la plus basse, il est possible que le compresseur fonctionne en régime continu, d'où un risque de formation de givre sur la paroi arrière. Pour éviter cet inconvénient, modifiez la position du thermostat pour obtenir moins de froid, de façon à permettre un dégivrage automatique et, par conséquent, des économies d'énergie.

4. UTILISATION QUOTIDIENNE

4.1 Congélation d'aliments frais

Le compartiment congélateur est idéal pour congeler des aliments frais et conserver longtemps des aliments congelés ou surgelés.

Pour congeler des aliments frais, il n'est pas nécessaire de modifier le réglage moyen.

Toutefois, pour une congélation plus rapide, tournez le thermostat sur la position maximale pour obtenir plus de froid.



ATTENTION!

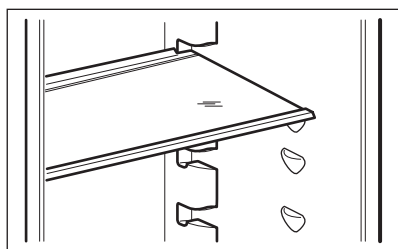
Dans ce cas, la température du compartiment réfrigérateur est susceptible de descendre en dessous de 0 °C. Si cela se produit, repositionnez le thermostat sur une position inférieure pour obtenir moins de froid.

4.2 Décongélation

Avant utilisation, les aliments surgelés ou congelés peuvent être décongelés dans le compartiment réfrigérateur ou à température ambiante en fonction du temps disponible pour cette opération.

Les petites portions peuvent même être cuites sans décongélation préalable : la cuisson sera cependant un peu plus longue.

4.3 Glissières amovibles



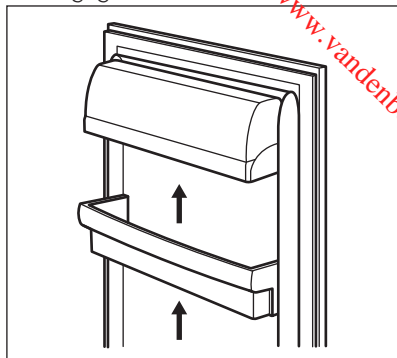
Les parois du réfrigérateur sont équipées d'une série de supports afin que les clayettes puissent être positionnées comme vous le souhaitez.

4.4 Mise en place des balconnets de la porte

Selon la taille des emballages des aliments conservés, les balconnets de la porte peuvent être positionnés à différentes hauteurs.

Pour les ajuster, procédez comme suit :

1. Tirez progressivement le balconnet dans le sens des flèches pour le dégager.



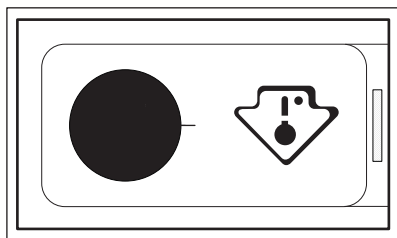
2. Positionnez le balconnet comme requis.

4.5 Indicateur de température



Cet appareil est vendu en France.

Pour respecter la réglementation en vigueur dans ce pays, l'appareil doit être doté d'un dispositif particulier placé dans la partie inférieure du compartiment réfrigérateur (voir schéma) pour signaler la zone la plus froide du compartiment.



5. CONSEILS

5.1 Bruits normaux de fonctionnement

Les bruits suivants sont normaux lorsque l'appareil est en cours de fonctionnement :

- Un léger gargouillis lorsque le liquide réfrigérant est pompé.
- Un ronronnement et un bruit de pulsation provenant du compresseur lorsque le liquide réfrigérant est pompé.

- Un bruit de craquement soudain provenant de l'intérieur de l'appareil provoqué par une dilatation thermique (un phénomène naturel et inoffensif).
- Un léger cliquetis du thermostat lorsque le compresseur s'active ou se désactive.

5.2 Conseils d'économie d'énergie

- Évitez d'ouvrir trop souvent la porte et ne la laissez ouverte que le temps nécessaire.
- Si la température ambiante est élevée, le thermostat réglé sur la position maximale et l'appareil plein, il est possible que le compresseur fonctionne en régime continu, d'où un risque de formation de givre ou de glace sur l'évaporateur. Dans ce cas, réglez le thermostat sur une température plus élevée pour faciliter le dégivrage automatique, ce qui permet ainsi d'économiser de l'énergie.

5.3 Conseils pour la réfrigération des aliments frais

Pour obtenir les meilleurs résultats :

- n'introduisez pas d'aliments encore chauds ou de liquides en évaporation dans le réfrigérateur
- couvrez ou enveloppez soigneusement les aliments, surtout s'ils sont aromatiques
- placez correctement les aliments pour que l'air puisse circuler librement autour

5.4 Conseils pour la réfrigération

Conseil utiles :

- Viande (tous types de viande) : enveloppez-la dans des sachets en plastique et placez-la sur la clayette en verre au-dessus du bac à légumes.
- Pour des raisons de sécurité, ne la conservez de cette manière que pendant un ou deux jours maximum.

- Aliments cuits, plats froids, etc. : ils doivent être couverts et peuvent être placés sur n'importe quelle clayette.
- Fruits et légumes : placez-les une fois nettoyés dans le bac à légumes.
- Beurre et fromage : placez-les dans des récipients étanches spéciaux ou enveloppez-les soigneusement dans des feuilles d'aluminium ou des sachets en plastique, afin que le volume d'air avec lesquels ils sont en contact soit réduit autant que possible.
- Bouteilles : elles nécessitent un bouchon et doivent être stockées sur l'étagère à bouteilles de la porte ou (si équipé) sur la grille à bouteilles.
- Bananes, pommes de terre, oignons et ail ne doivent pas être mis dans le réfrigérateur, s'ils ne sont pas emballés.

5.5 Conseils pour la congélation

Voici quelques conseils importants pour obtenir un processus de congélation optimal :

- Respectez la quantité maximale de denrées fraîches que vous pouvez congeler par 24 heures figurant sur la plaque signalétique ;
- Le processus de congélation dure 24 heures. N'ajoutez pas d'autres aliments à congeler pendant cette période ;
- Congelez uniquement des aliments de bonne qualité, frais et nettoyés ;
- Préparez la nourriture en petits paquets pour une congélation rapide et uniforme, adaptés à l'importance de la consommation ;
- Enveloppez les aliments dans des feuilles d'aluminium ou des sachets en plastique et assurez-vous que les emballages sont étanches ;
- Ne laissez pas des aliments frais, non congelés, toucher des aliments déjà congelés pour éviter une remontée en température de ces derniers ;
- Les aliments maigres se conservent mieux et plus longtemps que les aliments gras ; le sel réduit la durée de conservation des aliments ;

- La température très basse à laquelle se trouvent les bâtonnets glacés, s'ils sont consommés dès leur sortie du compartiment congélateur, peut provoquer des brûlures ;
- L'identification des emballages est importante : indiquez la date de congélation du produit et respectez la durée de conservation indiquée par le fabricant.

5.6 Conseils pour le stockage des aliments surgelés

Pour obtenir les meilleures performances possibles :

- assurez-vous que les denrées surgelées achetées dans le commerce

ont été correctement entreposées par le revendeur ;

- prévoyez un temps réduit au minimum pour le transport des denrées du magasin d'alimentation à votre domicile ;
- évitez d'ouvrir trop souvent la porte du congélateur et ne la laissez ouverte que le temps nécessaire ;
- une fois décongelés, les aliments se détériorent rapidement et ne peuvent pas être recongelés ;
- ne dépassez pas la durée de conservation indiquée par le fabricant.

6. ENTRETIEN ET NETTOYAGE



AVERTISSEMENT!

Reportez-vous aux chapitres concernant la sécurité.



ATTENTION!

Attention à ne pas endommager le système de réfrigération.

6.1 Avertissements généraux



ATTENTION!

Débranchez l'appareil avant toute opération d'entretien et de nettoyage.



ATTENTION!

Lorsque vous déplacez l'appareil, veillez à le soulever par l'avant pour éviter de rayer le sol.



Cet appareil contient des hydrocarbures dans son circuit de réfrigération ; l'entretien et la recharge ne doivent donc être effectués que par du personnel qualifié.

L'appareil doit être nettoyé régulièrement :



Les pièces et accessoires de l'appareil ne doivent pas être lavés au lave-vaisselle.

1. Nettoyez l'intérieur et les accessoires avec de l'eau tiède et un détergent doux.
2. Vérifiez régulièrement les joints de porte et essuyez-les pour vous assurer qu'ils sont propres et ne contiennent pas de résidus.
3. Rincez et séchez soigneusement.
4. S'ils sont accessibles, nettoyez le condenseur et le compresseur situés à l'arrière de l'appareil avec une brosse.
Cette opération améliore les performances de l'appareil et permet des économies d'électricité.

6.2 Nettoyage périodique



ATTENTION!

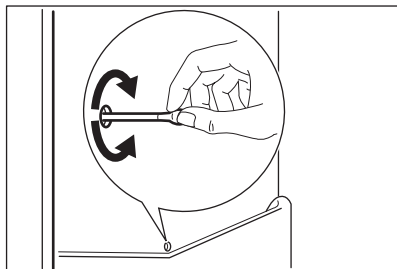
Ne tirez pas, ne déplacez pas, n'endommagez pas les tuyaux et/ou câbles qui se trouvent à l'intérieur de l'appareil.

6.3 Dégivrage du réfrigérateur

En fonctionnement normal, le givre est automatiquement éliminé de

l'évaporateur du compartiment réfrigérateur à chaque fois que le compresseur s'arrête. L'eau de dégivrage est collectée dans un récipient spécial situé à l'arrière de l'appareil, au-dessus du compresseur, d'où elle s'évapore.

Il est important de nettoyer régulièrement l'orifice d'écoulement de la goutte d'évacuation de l'eau de dégivrage située au milieu du compartiment réfrigérateur pour empêcher l'eau de déborder et de couler à l'intérieur de l'appareil.



6.4 Dégivrage du congélateur



ATTENTION!

N'utilisez en aucun cas d'objets métalliques ou tranchants pour gratter la couche de givre sur l'évaporateur, car vous risqueriez de le détériorer. Une élévation de la température des denrées congelées, pendant le dégivrage, peut réduire leur durée de conservation. N'utilisez aucun dispositif mécanique ou autre moyen artificiel pour accélérer le processus de dégivrage hormis ceux recommandés par le fabricant.

Une certaine quantité de givre se forme toujours sur les clayettes du congélateur et autour du compartiment supérieur.

Dégivrez le congélateur lorsque l'épaisseur de la couche de givre est comprise entre 3 et 5 mm.

1. Débranchez la fiche de la prise secteur ou éteignez l'appareil.
2. Sortez les denrées congelées; enveloppez-les dans plusieurs feuilles de papier journal et conservez-les dans un endroit frais



ATTENTION!

Ne touchez pas les produits congelés et les surfaces givrées avec les mains humides. Risque de brûlures ou d'arrachement de la peau.

3. Ouvrez la porte.
Le dégivrage peut être accéléré en plaçant un récipient d'eau chaude dans le compartiment congélateur. Retirez également les morceaux de glace au fur et à mesure qu'ils se détachent, avant que le processus de dégivrage ne soit terminé.
4. Une fois le dégivrage terminé, séchez bien l'intérieur.
5. Mettez l'appareil en marche.
6. Réglez le thermostat pour obtenir le plus de froid possible et faites fonctionner l'appareil pendant deux ou trois heures en utilisant ce réglage.
7. Replacez les denrées dans le compartiment.

6.5 En cas de non-utilisation prolongée

Si l'appareil n'est pas utilisé pendant de longues périodes, prenez les précautions suivantes :

1. Débranchez l'appareil de l'alimentation électrique.
2. Retirez tous les aliments.
3. Dégivrez (si nécessaire) et nettoyez l'appareil ainsi que tous les accessoires.
4. Nettoyez l'appareil et tous les accessoires.
5. Laissez la porte/les portes ouverte(s) pour éviter la formation d'odeurs désagréables.

**AVERTISSEMENT!**

Si, toutefois, vous n'avez pas la possibilité de débrancher et de vider l'appareil, faites vérifier régulièrement le bon de fonctionnement de celui-ci et ceci en tenant compte de sa charge et de son autonomie de fonctionnement.

7. EN CAS D'ANOMALIE DE FONCTIONNEMENT

**AVERTISSEMENT!**

Reportez-vous aux chapitres concernant la sécurité.

7.1 En cas d'anomalie de fonctionnement ...

Problème	Cause probable	Solution
L'appareil ne fonctionne pas du tout.	L'appareil est à l'arrêt.	Mettez l'appareil en marche.
	La fiche du câble d'alimentation n'est pas correctement insérée dans la prise de courant.	Branchez correctement la fiche du câble d'alimentation dans la prise de courant.
	La prise de courant n'est pas alimentée.	Branchez un autre appareil électrique à la prise de courant. Contactez un électricien qualifié.
L'appareil est bruyant.	L'appareil n'est pas stable.	Assurez-vous de la stabilité de l'appareil.
Le compresseur fonctionne en permanence.	Il y a une erreur dans le réglage de la température.	Reportez-vous au chapitre « Fonctionnement ».
	Trop de produits ont été introduits simultanément.	Attendez quelques heures et vérifiez de nouveau la température.
	La température ambiante est trop élevée.	Reportez-vous au tableau des classes climatiques de la plaque signalétique.
	Les aliments introduits dans l'appareil étaient trop chauds.	Laissez refroidir les aliments à température ambiante avant de les mettre dans l'appareil.

Problème	Cause probable	Solution
	Le bouchon de la gouttière d'évacuation de l'eau de dégivrage n'est pas bien placé.	Placez correctement le bouchon de la gouttière d'évacuation de l'eau.
	Les aliments ne sont pas correctement emballés.	Emballer les produits de façon plus adaptée.
	Il y a une erreur dans le réglage de la température.	Reportez-vous au chapitre « Fonctionnement ».
De l'eau s'écoule à l'intérieur du réfrigérateur.	L'orifice d'écoulement de l'eau de dégivrage est obstrué.	Nettoyez l'orifice d'écoulement de l'eau de dégivrage.
	Des aliments empêchent l'eau de s'écouler dans le réservoir d'eau.	Assurez-vous que les produits ne touchent pas la plaque arrière.
De l'eau coule sur le sol.	Le tuyau d'évacuation de l'eau de dégivrage n'est pas raccordé au bac d'évaporation situé au-dessus du compresseur.	Fixez le tuyau d'évacuation de l'eau au bac d'évaporation de l'eau de dégivrage.
La température à l'intérieur de l'appareil est trop basse/ élevée.	Le thermostat n'est pas réglé correctement.	Augmentez/réduisez la température.
	La porte n'est pas fermée correctement.	Reportez-vous au chapitre « Fermeture de la porte ».
	La température des produits est trop élevée.	Laissez les aliments refroidir à température ambiante avant de les placer dans l'appareil.
	Trop de produits ont été introduits simultanément.	Introduisez moins de produits en même temps.
	L'épaisseur de givre est supérieure à 4 - 5 mm.	Dégivrez l'appareil.
	La porte a été ouverte trop souvent.	N'ouvrez la porte qu'en cas de nécessité.

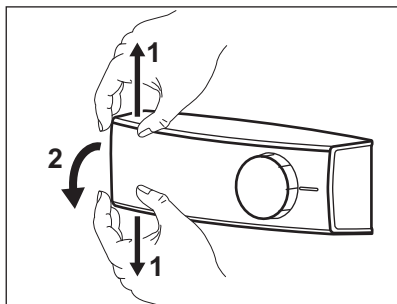


Si ces conseils n'apportent pas de solution à votre problème, veuillez consulter le service après-vente le plus proche.

7.2 Remplacement de l'éclairage

1. Débranchez la fiche de l'appareil de la prise secteur.
2. Dans le même temps, placez vos doigts en haut et en bas du diffuseur transparent et glissez-le dans le sens

indiqué par les flèches pour le détacher.



3. Remplacez l'ampoule par une ampoule de puissance et de forme identiques, spécifiquement conçue

pour les appareils électroménagers. (La puissance maximale est indiquée sur le diffuseur.)

4. Remontez le diffuseur de l'ampoule.
5. Branchez la fiche de l'appareil à la prise secteur.

Ouvrez la porte. Vérifiez que l'ampoule s'allume.

7.3 Fermeture de la porte

1. Nettoyez les joints de la porte.
2. Si nécessaire, ajustez la porte. Reportez-vous au chapitre « Installation ».
3. Si nécessaire, remplacez les joints de porte défectueux. Contactez le service après-vente.

8. INSTALLATION

8.1 Installation

Cet appareil peut être installé dans un pièce intérieure sèche et bien ventilée où la température ambiante correspond à la classe climatique indiquée sur la plaque signalétique de l'appareil :

Classe climatique	Température ambiante
SN	+10 °C à +32 °C
N	+16 °C à +32 °C
ST	+16 °C à +38 °C
T	+16 °C à +43 °C



Des problèmes fonctionnels peuvent se produire sur certains types de modèles fonctionnant hors de cette plage de températures. Seul le respect de la plage de températures spécifiée peut garantir un bon fonctionnement de l'appareil. En cas de doute concernant l'emplacement d'installation de l'appareil, veuillez contacter le vendeur, notre service après-vente ou le centre de maintenance le plus proche.

8.2 Branchement électrique

- Avant de brancher l'appareil, assurez-vous que la tension et la fréquence indiquées sur la plaque signalétique correspondent à celles de votre réseau électrique domestique.
- L'appareil doit être relié à la terre. La fiche du cordon d'alimentation est fournie avec un contact à cette fin. Si la prise de courant n'est pas mise à la terre, branchez l'appareil à une mise à la terre séparée conformément aux réglementations en vigueur, en consultant un électricien spécialisé.

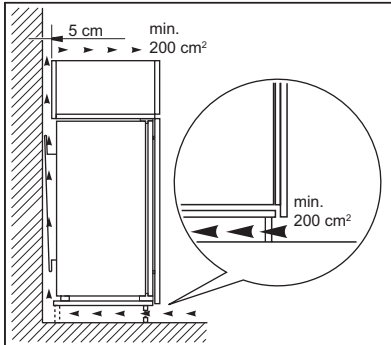
- Le fabricant décline toute responsabilité en cas de non-respect de ces consignes de sécurité.
- Cet appareil est conforme aux directives CEE.



ATTENTION!
Consultez la notice de montage lors de l'installation.

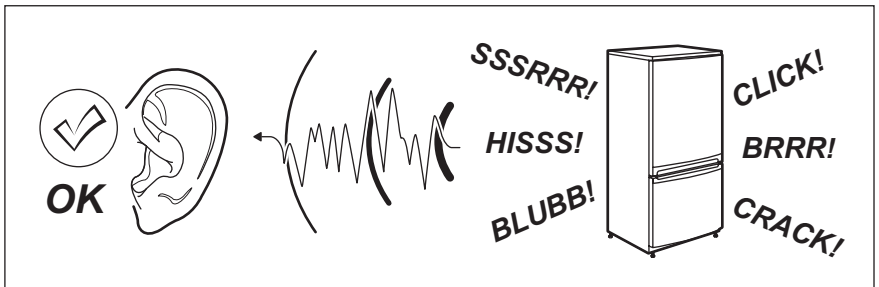
8.3 Exigences en matière de ventilation

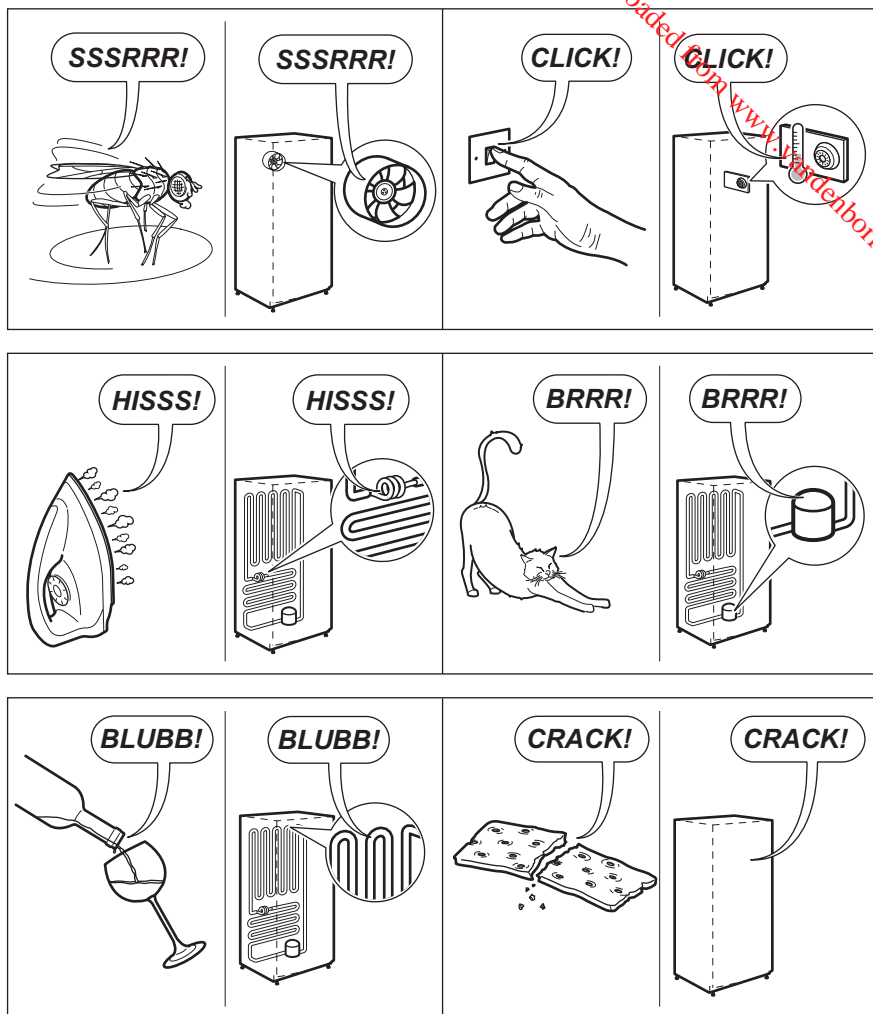
Veillez à garantir une circulation d'air suffisante à l'arrière de l'appareil.



9. BRUITS

L'appareil émet certains bruits pendant son fonctionnement (compresseur, circuit frigorifique).





10. CARACTÉRISTIQUES TECHNIQUES

10.1 Caractéristiques techniques


Dimensions de la niche d'encastrement		
Hauteur	mm	1225
Largeur	mm	560


Profondeur	mm	550
Autonomie de fonctionnement	Heures	12
Voltage	V	230 - 240
Fréquence	Hz	50

Les caractéristiques techniques figurent sur la plaque signalétique située sur le

côté intérieur ou extérieur de l'appareil et sur l'étiquette énergétique.

11. EN MATIÈRE DE PROTECTION DE L'ENVIRONNEMENT

Recyclez les matériaux portant le symbole . Déposez les emballages dans les conteneurs prévus à cet effet. Contribuez à la protection de l'environnement et à votre sécurité, recyclez vos produits électriques et

électroniques. Ne jetez pas les appareils portant le symbole  avec les ordures ménagères. Emmenez un tel produit dans votre centre local de recyclage ou contactez vos services municipaux.

CONTENIDO

1. INFORMACIÓN SOBRE SEGURIDAD.....	31
2. INSTRUCCIONES DE SEGURIDAD.....	32
3. FUNCIONAMIENTO.....	34
4. USO DIARIO.....	34
5. CONSEJOS.....	35
6. MANTENIMIENTO Y LIMPIEZA.....	37
7. SOLUCIÓN DE PROBLEMAS.....	39
8. INSTALACIÓN.....	41
9. RUIDOS.....	42
10. INFORMACIÓN TÉCNICA.....	43

PARA OFRECER UNOS RESULTADOS PERFECTOS

Gracias por escoger este producto AEG. Este artículo ha sido creado para ofrecer un rendimiento impecable durante muchos años, con innovadoras tecnologías que facilitarán su vida y prestaciones que probablemente no encuentre en electrodomésticos corrientes. Por favor, dedique algunos minutos a la lectura para disfrutar de todas sus ventajas.

Consulte en nuestro sitio web:



Obtener consejos, folletos, soluciones a problemas e información de servicio:
www.aeg.com



Registrar su producto para recibir un mejor servicio:
www.registreaeg.com



Adquirir accesorios, artículos de consumo y recambios originales para su aparato:
www.aeg.com/shop


ATENCIÓN Y SERVICIO AL CLIENTE

Le recomendamos que utilice recambios originales.

Al contactar con nuestro centro autorizado de servicio técnico, cerciéndose de tener la siguiente información a mano: Modelo, PNC, Número de serie.

La información se puede encontrar en la placa de características.

 Advertencia / Precaución- Información sobre seguridad

 Información general y consejos

 Información medioambiental

Salvo modificaciones.

1. ⚠ INFORMACIÓN SOBRE SEGURIDAD

Antes de instalar y utilizar el aparato, lea atentamente las instrucciones facilitadas. El fabricante no se hace responsable de los daños y lesiones causados por una instalación y uso incorrectos. Guarde siempre las instrucciones junto con el aparato para futuras consultas.

1.1 Seguridad de niños y personas vulnerables

- Este electrodoméstico puede ser utilizado por niños de 8 años en adelante y personas cuyas capacidades físicas, sensoriales o mentales estén disminuidas o que carezcan de la experiencia y conocimientos suficientes para manejarlo, siempre que cuenten con las instrucciones o la supervisión sobre el uso del electrodoméstico de forma segura y comprendan los riesgos.
- No deje que los niños jueguen con el aparato.
- La limpieza y el mantenimiento no podrán realizarlas niños sin supervisión.
- Mantenga los materiales de embalaje fuera del alcance de los niños.

1.2 Seguridad general

- Este aparato está concebido para utilizarse en aplicaciones domésticas y similares, tales como:
 - Granjas; áreas de cocina para el personal en tiendas, oficinas y otros entornos de trabajo
 - Por clientes en hoteles, moteles, pensiones y otros entornos de tipo residencial
- Mantenga libres de obstrucciones las aberturas de ventilación del alojamiento del aparato o de la estructura empotrada.
- No utilice dispositivos mecánicos ni medios artificiales para acelerar el proceso de descongelación, excepto los recomendados por el fabricante.
- No dañe el circuito del refrigerante.

- No utilice dispositivos eléctricos dentro de los compartimientos para alimentos del aparato, salvo si son del tipo recomendado por el fabricante.
- No utilice pulverizadores ni vapor de agua para limpiar el aparato.
- Limpie el aparato con un paño suave humedecido. Utilice solo detergentes neutros. No utilice productos abrasivos, estropajos duros, disolventes ni objetos metálicos.
- No almacene sustancias explosivas tales como latas de aerosol con un propulsor flamable en este aparato.
- Si el cable eléctrico sufre algún daño, el fabricante, su servicio técnico o un profesional tendrán que cambiarlo para evitar riesgos.

2. INSTRUCCIONES DE SEGURIDAD

2.1 Instalación



ADVERTENCIA!

Solo un electricista cualificado puede instalar este aparato.

- Retire todo el embalaje
- No instale ni utilice un aparato dañado.
- Siga las instrucciones de instalación suministradas con el aparato.
- El aparato es pesado, tenga cuidado siempre cuando lo mueva. Utilice siempre guantes de protección.
- Asegúrese de que el aire pueda circular alrededor del aparato.
- Espere al menos 4 horas antes de conectar el aparato a la alimentación eléctrica. Esto es para permitir que el aceite regrese al compresor.
- No instale el aparato cerca de radiadores, cocinas, hornos o placas de cocción.
- La parte posterior del aparato se debe colocar contra la pared.
- No instale el aparato donde reciba luz solar directa.
- No coloque este aparato en lugares demasiado húmedos o fríos, como anexos a una construcción, garajes o bodegas.

- Al mover el aparato, levántelo por el borde frontal para no arañar el suelo.

2.2 Conexión eléctrica



ADVERTENCIA!

Riesgo de incendios y descargas eléctricas.

- El aparato debe conectarse a tierra.
- Asegúrese de que las especificaciones eléctricas de la placa coinciden con las del suministro eléctrico de su hogar. En caso contrario, póngase en contacto con un electricista.
- Utilice siempre una toma con aislamiento de conexión a tierra correctamente instalada.
- No utilice adaptadores de enchufes múltiples ni cables prolongadores.
- Asegúrese de no provocar daños en los componentes eléctricos (como enchufe, cable de alimentación, compresor). Póngase en contacto con un electricista o con el servicio técnico para cambiar un cable dañado.
- El cable de alimentación debe estar por debajo del nivel del enchufe de alimentación.

- Conecte el enchufe a la toma de corriente únicamente cuando haya terminado la instalación. Asegúrese de tener acceso al enchufe del suministro de red una vez instalado el aparato.
- No desconecte el aparato tirando del cable de conexión a la red. Tire siempre del enchufe.

2.3 Uso



ADVERTENCIA!

Existe riesgo de lesiones, quemaduras, descargas eléctricas o incendios.

- No cambie las especificaciones de este aparato.
- El utilice otros aparatos eléctricos (como máquinas de hacer helados) dentro de aparatos de refrigeración, a menos que el fabricante haya autorizado su utilización
- Tenga cuidado para no dañar el circuito de refrigerante. Contiene isobutano (R600a), un gas natural con alto grado de compatibilidad medioambiental. Este gas es inflamable.
- Si se daña el circuito del refrigerante, evite las llamas y fuentes de ignición en la habitación. Ventile la habitación.
- No toque con elementos calientes las piezas de plástico del aparato.
- No coloque bebidas con gas en el congelador. Se creará presión en el contenedor de la bebida.
- No almacene gas ni líquido inflamable en el aparato.
- No coloque productos inflamables ni objetos mojados con productos inflamables dentro, cerca o encima del aparato.
- No toque el compresor ni el condensador. Están calientes.
- No retire ni toque elementos del compartimento congelador con las manos húmedas o mojadas.

- No vuelva a congelar alimentos que se hayan descongelado.
- Siga las instrucciones del envase de los alimentos congelados.

2.4 Mantenimiento y limpieza



ADVERTENCIA!

Podría sufrir lesiones o dañar el aparato.

- Antes de proceder con el mantenimiento, apague el aparato y desconecte el enchufe de la red.
- Este equipo contiene hidrocarburos en la unidad de refrigeración. Solo una persona cualificada debe realizar el mantenimiento y la recarga de la unidad.
- Examine periódicamente el desagüe del aparato y límpielo si fuera necesario. Si el desagüe se bloquea, el agua descongelada se acumulará en la base del aparato.

2.5 Desecho



ADVERTENCIA!

Existe riesgo de lesiones o asfixia.

- Desconecte el aparato de la red.
- Corte el cable de conexión a la red y deséchelo.
- Retire la puerta para evitar que los niños y las mascotas queden encerrados en el aparato.
- El circuito del refrigerante y los materiales aislantes de este aparato no dañan la capa de ozono.
- La espuma aislante contiene gas inflamable. Póngase en contacto con las autoridades locales para saber cómo desechar correctamente el aparato.
- No dañe la parte de la unidad de refrigeración que está cerca del intercambiador de calor.

3. FUNCIONAMIENTO

3.1 Encendido

1. Introduzca el enchufe en la toma de pared.
2. Gire el regulador de temperatura hacia la derecha, a un ajuste intermedio.

3.2 Apagado

Para apagar el aparato, gire el regulador de temperatura hasta la posición "0".

3.3 Regulación de la temperatura

La temperatura se regula automáticamente.



Lo más idóneo es ajustar la temperatura en una posición intermedia.

Sin embargo, el ajuste exacto debe elegirse teniendo en cuenta que la temperatura interior del aparato depende de:

- temperatura ambiente,
- la frecuencia con que se abre la puerta,
- la cantidad de alimentos guardados,
- ubicación del aparato.

1. Gire el regulador de temperatura hacia ajustes más bajos para obtener el frío mínimo.
2. Gire el regulador de temperatura hacia ajustes más altos para obtener el frío máximo.



PRECAUCIÓN!

Si la temperatura ambiente es elevada o el aparato está totalmente lleno y se ha ajustado a las temperaturas más bajas, puede mantenerse en marcha de manera continua provocando la formación de escarcha en la pared posterior. En tal caso, el mando debe colocarse a temperatura más elevada para permitir la descongelación automática y reducir así el consumo energético.

4. USO DIARIO

4.1 Congelación de alimentos frescos

El compartimento del congelador es adecuado para congelar alimentos frescos y conservar a largo plazo los alimentos congelados y ultracongelados.

Para congelar alimentos frescos no es necesario cambiar el ajuste intermedio.

Sin embargo, para lograr una congelación más rápida, gire el regulador de temperatura a un ajuste más alto para obtener el frío máximo.



PRECAUCIÓN!

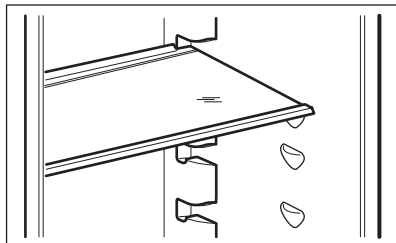
En esa situación, la temperatura del compartimento frigorífico puede descender por debajo de 0°C. En ese caso, sitúe el regulador de temperatura en un ajuste menos frío.

4.2 Descongelación

Los alimentos ultracongelados o congelados, antes de utilizarlos, se pueden descongelar en el compartimento frigorífico o a temperatura ambiente, dependiendo del tiempo de que se disponga.

Es posible incluso cocinar piezas pequeñas congeladas, tomadas directamente del congelador: en tal caso, el tiempo de cocción será más prolongado.

4.3 Estantes móviles



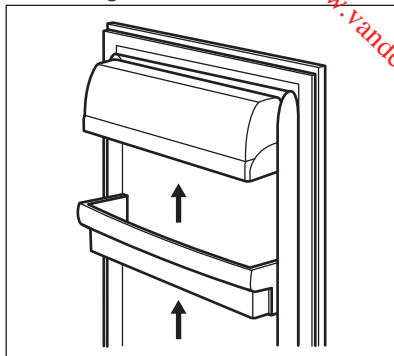
Las paredes del frigorífico cuentan con soportes para colocar los estantes del modo que se prefiera.

4.4 Colocación de los estantes de la puerta

Para poder guardar alimentos de distintos tamaños, los estantes de la puerta se pueden colocar a diferentes alturas.

Para realizar estos ajustes, proceda de la siguiente forma:

1. Tire gradualmente del estante en la dirección de las flechas hasta que se desenganche.

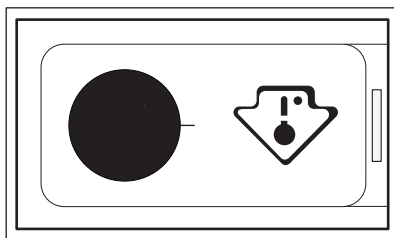


2. Vuelva a colocar el estante según sea necesario.

4.5 Indicador de temperatura



Este aparato está autorizado para su venta en Francia. En conformidad con la normativa válida en dicho país, deberá ir provisto de un dispositivo especial (consulte la figura) situado en el compartimento inferior del frigorífico para indicar la zona más fría del mismo.



5. CONSEJOS

5.1 Sonidos de funcionamiento normal

Los ruidos siguientes son normales durante el funcionamiento:

- Un gorgoteo y burbujeo débil desde el serpentín cuando se bombea el refrigerante.

Downloaded from www.vandenborre.be

- Un zumbido o sonido intermitente desde el compresor cuando se bombea el refrigerante.
- Un chasquido repentino desde el interior del aparato debido a la dilatación térmica (un fenómeno físico natural no peligroso).
- Un chasquido débil desde el regulador de temperatura cuando se activa o desactiva el compresor.

5.2 Consejos para ahorrar energía

- No abra la puerta con frecuencia ni la deje abierta más tiempo del estrictamente necesario.
- Si la temperatura ambiente es alta, se ha ajustado un valor de temperatura alto y el aparato está totalmente lleno, el compresor podría funcionar sin detenerse y generar escarcha o hielo en el evaporador. En tal caso, gire el regulador de temperatura hasta valores más bajos para facilitar la descongelación automática y ahorrar en el consumo eléctrico.

5.3 Consejos para la refrigeración de alimentos frescos

Para obtener los mejores resultados:

- no guarde en el frigorífico alimentos calientes ni líquidos en evaporación
- cubra o envuelva los alimentos, en especial si tienen sabores fuertes
- coloque los alimentos de modo que el aire pueda circular libremente entre ellos

5.4 Consejos para la refrigeración

Consejos útiles:

- Carne (de todo tipo): guárdela en bolsas de plástico y colóquela en el estante de vidrio, sobre el cajón de las verduras.
- Por razones de seguridad, no la guarde más de uno o dos días.
- Alimentos cocinados, platos fríos, etc: cúbralos y colóquelos en cualquier estante.

- Frutas y verduras: una vez lavadas a fondo, guárdelas en los cajones especiales suministrados al efecto.
- Mantequilla y queso: utilice recipientes herméticos especiales, papel de aluminio o bolsas de plástico para excluir tanto aire como sea posible.
- Botellas: deben guardarse tapadas en el estante para botellas de la puerta de la puerta o en el botellero (si dispone de él).
- No guarde en el frigorífico productos como plátanos, patatas, cebollas y ajos, a menos que estén empaquetados.

5.5 Consejos sobre la congelación

Para aprovechar al máximo el proceso de congelación, tenga en cuenta:

- la cantidad máxima de alimentos que puede congelarse en 24 horas se indica en la placa de características;
- el proceso de congelación requiere 24 horas. No añada más alimentos para congelar durante ese tiempo;
- congele sólo alimentos de máxima calidad, frescos y perfectamente limpios;
- divida los alimentos en porciones pequeñas para agilizar el proceso de congelación y facilitar la descongelación y uso de las cantidades necesarias;
- envuelva los alimentos en papel de aluminio o polietileno y compruebe que los envoltorios quedan herméticamente cerrados;
- no permita que alimentos frescos y sin congelar entren en contacto con alimentos ya congelados, así evitará que aumente su temperatura;
- los alimentos magros se congelan mejor que los grasos; la sal reduce el tiempo de almacenamiento de los alimentos;
- el hielo que se consume inmediatamente después de extraerlo del congelador puede provocar quemaduras por congelación en la piel;
- se recomienda etiquetar cada paquete con la fecha de congelación

para controlar el tiempo de almacenamiento.

5.6 Consejos para el almacenamiento de alimentos congelados

Para obtener el máximo rendimiento de este aparato, deberá:

- comprobar que el comerciante ha mantenido los productos congelados correctamente almacenados;
- procurar que los alimentos congelados pasen de la tienda al

congelador en el menor tiempo posible;

- evitar la apertura frecuente de la puerta o dejarla abierta más tiempo del estrictamente necesario;
- los alimentos descongelados se deterioran con rapidez y no pueden congelarse de nuevo;
- no supere el tiempo de almacenamiento indicado por el fabricante de los alimentos.

6. MANTENIMIENTO Y LIMPIEZA



ADVERTENCIA!

Consulte los capítulos sobre seguridad.



PRECAUCIÓN!

Al mover el frigorífico, levántelo por el borde frontal para no arañar el suelo.

6.1 Advertencias generales



PRECAUCIÓN!

Antes de realizar tareas de mantenimiento, desenchufe el aparato



Este aparato contiene hidrocarburos en la unidad de refrigeración por lo que cualquier tarea de mantenimiento o recarga debe ser realizada por personal técnico homologado.



Los accesorios y las piezas del aparato no deben lavarse en el lavavajillas.

El equipo debe limpiarse de forma regular:

1. Limpie el interior y los accesorios con agua templada y un jabón neutro.
2. Revise y limpie periódicamente las juntas de la puerta para mantenerlas limpias y sin restos;
3. Aclare y seque a fondo.
4. Si se puede acceder, limpie el condensador y el compresor de la parte posterior del aparato con un cepillo.
Esa operación mejorará el rendimiento del aparato y reducirá el consumo eléctrico.

6.2 Limpieza periódica



PRECAUCIÓN!

No mueva, dañe ni tire de los conductos o cables del interior del armario.



PRECAUCIÓN!

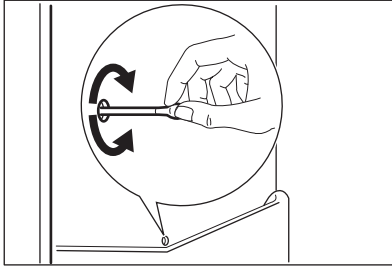
Tenga cuidado para no dañar el sistema de refrigeración.

6.3 Descongelación del frigorífico

La escarcha se elimina automáticamente del evaporador del frigorífico cada vez que se detiene el compresor, durante el funcionamiento normal. El agua de la descongelación se descarga por un canal hacia un recipiente especial situado en la parte posterior del aparato, sobre el motor compresor, desde donde se evapora.

Es importante limpiar periódicamente el orificio de salida del agua de

descongelación situado en la mitad del canal del compartimento frigorífico para evitar que el agua se desborde y caiga sobre los alimentos del interior.



6.4 Descongelación del congelador



PRECAUCIÓN!

No utilice herramientas metálicas afiladas para raspar la escarcha del evaporador, ya que podría dañarlo.

El aumento de la temperatura de los paquetes de alimentos congelados durante la descongelación puede acortar su tiempo de almacenamiento.

No utilice dispositivos mecánicos ni medios artificiales para acelerar el proceso de descongelación, excepto los recomendados por el fabricante.

Siempre se forma un poco de escarcha en los estantes del congelador y en torno al compartimento superior.

Descongele el congelador sólo cuando la capa de escarcha alcance un grosor de unos 3 a 5 mm.

1. Retire el enchufe de la toma de pared o apague el aparato.
2. Retire los alimentos congelados, envuélvalos en varias hojas de papel periódico y colóquelos en un sitio fresco



PRECAUCIÓN!

No toque los alimentos congelados con las manos mojadas. Podrían congelarse al contacto con los alimentos.

3. Abra la puerta.
Para acelerar el proceso de descongelación, coloque un recipiente con agua tibia en el compartimento congelador. Además, retire los trozos de hielo que se desprendan antes de que finalice la descongelación.
4. Cuando la descongelación haya terminado, seque a fondo el interior del aparato.
5. Encienda el aparato.
6. Ajuste el regulador de temperatura para obtener el máximo frío y haga funcionar el aparato durante dos o tres horas con dicho ajuste.
7. Vuelva a introducir los alimentos que retiró previamente.

6.5 Periodos de inactividad

Si el aparato no se utiliza durante un tiempo prolongado, tome las siguientes precauciones:

1. Desconecte el aparato de la red eléctrica.
2. Extraiga todos los alimentos.
3. Descongele (si es necesario) y limpie el aparato y todos sus accesorios
4. Limpie el electrodoméstico y todos sus accesorios
5. Deje la puerta o puertas abiertas para que no se produzcan olores desagradables.



ADVERTENCIA!

Si el armario va a mantenerse abierto, procure que alguien lo vigile de vez en cuando para que los alimentos de su interior no se estropeen si se interrumpe el suministro eléctrico.

7. SOLUCIÓN DE PROBLEMAS



ADVERTENCIA!

Consulte los capítulos sobre seguridad.

7.1 Qué hacer si...

Problema	Posible causa	Solución
El aparato no funciona.	El aparato se apaga.	Encienda el aparato.
	El aparato no está correctamente enchufado a la toma de corriente.	Enchufe el aparato correctamente a la toma de corriente.
	No hay tensión en la toma de corriente.	Enchufe un aparato eléctrico diferente a la toma de corriente. Llame a un electricista cualificado.
El aparato hace ruido.	El aparato no está bien apoyado en el suelo.	Compruebe que los soportes del aparato descansan sobre una superficie estable.
El compresor funciona continuamente.	La temperatura está ajustada incorrectamente.	Consulte el capítulo de funcionamiento.
	Se han guardado muchos alimentos al mismo tiempo.	Espere unas horas y vuelva a comprobar la temperatura.
	La temperatura ambiente es demasiado alta.	Consulte la tabla de clase climática en la placa de datos técnicos.
	Los alimentos introducidos en el aparato estaban demasiado calientes.	Deje que los alimentos se enfríen a temperatura ambiente antes de almacenarlos.
	El tapón de drenaje del agua no está bien colocado.	Coloque el tapón de drenaje en la forma correcta.
El agua fluye por el interior del frigorífico.	Los alimentos no están bien envueltos.	Envuelva mejor los productos.
	La temperatura está ajustada incorrectamente.	Consulte el capítulo de funcionamiento.
	La salida de agua está obstruida.	Limpie la salida de agua.
	Los productos impiden que el agua fluya al colector de agua.	Asegúrese de que los alimentos no entran en contacto con la placa posterior.

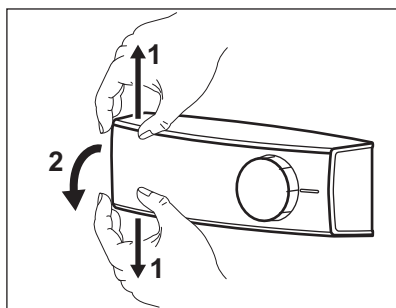
Problema	Posible causa	Solución
Hay agua en el suelo.	El agua de la descongelación no fluye hacia la bandeja de evaporación situada sobre el compresor.	Fije la salida de agua de descongelación a la bandeja de evaporación.
La temperatura del aparato es demasiado baja/alta.	El regulador de temperatura no se ha ajustado correctamente.	Seleccione una temperatura más alta o baja.
	La puerta no está bien cerrada.	Consulte la sección "Cierre de la puerta".
	La temperatura de los productos es demasiado alta.	Deje que la temperatura de los productos descienda a la temperatura ambiente antes de guardarlo.
	Se han guardado muchos alimentos al mismo tiempo.	Guarde menos productos al mismo tiempo.
	El grosor de la escarcha es de más de 4-5 mm.	Descongele el aparato.
	La puerta se ha abierto con frecuencia.	Si es necesario, cierre la puerta.



Si el consejo anterior no ofrece resultados, llame al servicio técnico más cercano.

7.2 Cambio de la bombilla

1. Desenchufe el aparato de la toma de corriente
2. Al mismo tiempo, expanda con los dedos arriba y abajo la tapa transparente y desengánchela en la dirección de las flechas.



3. Cambie la bombilla por otra de la misma potencia y forma, diseñada específicamente para electrodomésticos (la potencia máxima se indica en la tapa de la bombilla).
4. Vuelva a colocar la tapa de la bombilla.
5. Enchufe el aparato a la toma de corriente.

Abra la puerta. Compruebe que la bombilla se enciende.

7.3 Cierre de la puerta

1. Limpie las juntas de la puerta.
2. Si es necesario, ajuste la puerta.
Consulte "Instalación".
3. Si es necesario, cambie las juntas defectuosas. Póngase en contacto con el servicio posventa.

8. INSTALACIÓN

8.1 Colocación

El aparato se puede instalar en un lugar interior seco y bien ventilado en el que la temperatura ambiente se corresponda con la clase climática indicada en la placa de características del aparato:

Clase climática	Temperatura ambiente
SN	+10°C a + 32°C
N	+16°C a + 32°C
ST	+16°C a + 38°C
T	+16°C a + 43°C



Se puede producir algún problema de funcionamiento en algunos modelos cuando se usan fuera de ese rango. Sólo se puede garantizar el correcto funcionamiento dentro del rango de temperatura especificado. Si tiene cualquier duda respecto al lugar de instalación del aparato, consulte al vendedor, a nuestro servicio de atención al cliente o al servicio técnico más cercano.

8.2 Conexión eléctrica

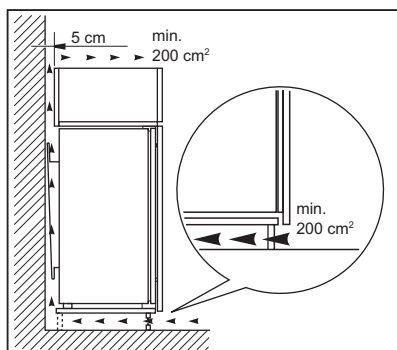
- Antes de conectar el aparato, compruebe que el voltaje y la frecuencia indicados en la placa de

datos técnicos se corresponden con el suministro de la vivienda.

- El aparato debe conectarse a tierra. El enchufe del cable de alimentación se suministra con un contacto para tal fin. Si la toma de red de la vivienda carece de conexión a tierra, conecte el aparato a una toma de tierra conforme con la normativa, después de consultar a un electricista profesional
- El fabricante declina toda responsabilidad si no se toman las precauciones antes indicadas.
- Este aparato cumple las directivas CEE.

8.3 Requisitos de ventilación

El aire debe poder circular libremente por la parte posterior del aparato.

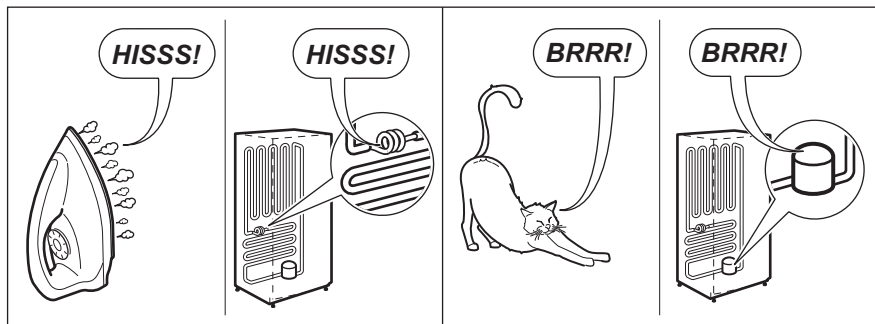
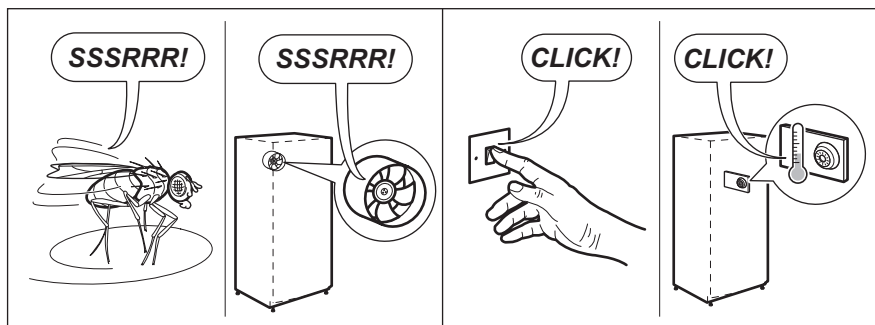
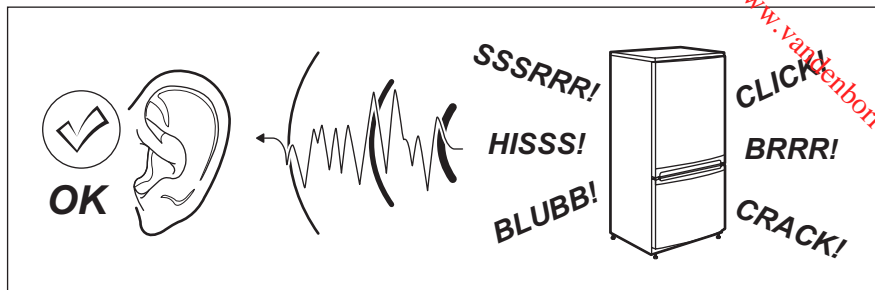


PRECAUCIÓN!

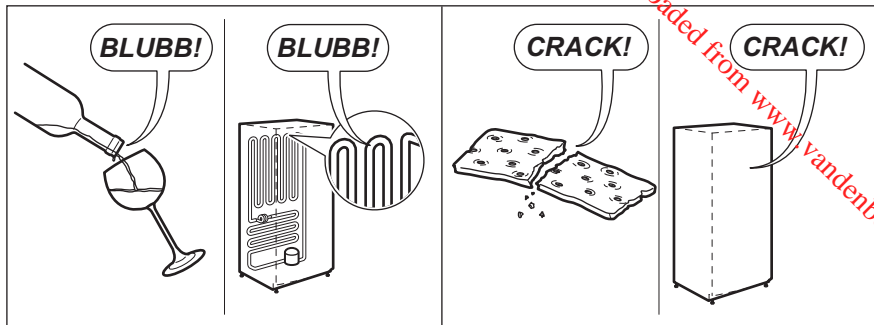
Consulte las instrucciones de montaje para la instalación.

9. RUIDOS

Durante el funcionamiento normal del aparato suelen producirse ciertos ruidos (compresor, circulación del refrigerante).



Downloaded from www.vandenborre.be



10. INFORMACIÓN TÉCNICA


10.1 Datos técnicos


Medidas del hueco			
Alto	mm		1225
Ancho	mm		560
Fondo	mm		550
Tiempo de elevación	horas		12
Tensión	Voltios		230 - 240
Frecuencia	Hz		50

La información técnica se encuentra en la placa de datos técnicos situada en el

lado exterior o interior del aparato, y en la etiqueta de consumo energético.

11. ASPECTOS MEDIOAMBIENTALES

Recicle los materiales con el símbolo . Coloque el material de embalaje en los contenedores adecuados para su reciclaje. Ayude a proteger el medio ambiente y la salud pública, así como a reciclar residuos de aparatos eléctricos y

electrónicos. No deseche los aparatos marcados con el símbolo  junto con los residuos domésticos. Lleve el producto a su centro de reciclaje local o póngase en contacto con su oficina municipal.

INNEHÅLL

1. SÄKERHETSINFORMATION.....	45
2. SÄKERHETSFÖRESKRIFTER.....	46
3. ANVÄNDNING.....	47
4. DAGLIG ANVÄNDNING.....	48
5. RÅD OCH TIPS.....	49
6. SKÖTSEL OCH RENGÖRING.....	50
7. FELSÖKNING.....	52
8. INSTALLATION.....	54
9. BULLER.....	55
10. TEKNISK INFORMATION.....	56

FÖR PERFEKT RESULTAT

Tack för att du valt denna produkt från AEG. Vi har skapat den så att du ska kunna få felfritt resultat i många år, med innovativa tekniker som gör livet enklare – funktioner som du inte skulle hitta hos vanliga produkter. Varsågod att ägna några minuter åt att läsa detta för att få ut så mycket som möjligt av produkten.

Besök vår webbplats för att:



Få tips om användning, broschyrer, felsökare, serviceinformation:
www.aeg.com



Registrera din produkt för bättre service:
www.registreaeg.com




Köp tillbehör, förbrukningsvaror och originalreservdelar till din produkt:
www.aeg.com/shop

KUNDTJÄNST OCH SERVICE

Vi rekommenderar att originalreservdelar används.

Ha följande uppgifter tillhands när du kontaktar serviceavdelningen. Modell, PNC, serienummer.

Informationen finns på typskylten.

 Varnings-/viktig säkerhetsinformation

 Allmän information och tips

 Miljöinformation

Med reservation för ändringar.

1. ⚠ SÄKERHETSINFORMATION

Läs noga de bifogade instruktionerna före installation och användning av produkten. Tillverkaren kan inte hållas ansvarig för personskador eller skador på egendom som orsakats av felaktig installation eller användning. Förvara alltid instruktionerna tillsammans med produkten för framtida bruk.

1.1 Säkerhet för barn och handikappade

- Denna produkt kan användas av barn från 8 års ålder och uppåt, och av personer med nedsatt fysisk, sensorisk eller mental förmåga, samt personer med bristande erfarenhet och kunskap, om de övervakas eller instrueras beträffande hur produkten används på ett säkert sätt och förstår de risker som är förknippade med användningen.
- Låt inte barn leka med produkten.
- Rengöring och användarunderhåll ska inte utföras av barn utan tillsyn.
- Håll allt förpackningsmaterial utom räckhåll för barn.

1.2 Allmän säkerhet

- Produkten är avsedd att användas i hushåll och liknande användningsområden som t.ex.:
 - Bondgårdar, personalkök i butiker, på kontor och andra arbetsmiljöer
 - Av gäster på hotell, motell, bed and breakfast och andra typer av boendemiljöer
- Se till att ventilationsöppningarna inte blockeras i produktens nisch eller i inbyggnadsutrymmet.
- Använd inga mekaniska verktyg eller andra medel för att påskynda avfrostningsprocessen utöver de som rekommenderas av tillverkaren.
- Var noga med att inte skada kylkretsen.
- Använd inga elektriska apparater inne i förvaringsutrymmena såvida de inte är av en typ som rekommenderas av tillverkaren.

- Spruta inte vatten eller ånga för att rengöra produkten.
- Rengör ugnen med en fuktig, mjuk trasa. Använd bara neutrala rengöringsmedel. Använd inte produkter med slipeffekt, skursvampar, lösningsmedel eller metallföremål.
- Förvara inte explosiva ämnen som t.ex. sprejburkar med lättantändligt bränsle i den här produkten.
- Om nätsladden är skadad måste den bytas av tillverkaren, tillverkarens servicerepresentant eller personer med motsvarande utbildning, för att undvika fara

2. SÄKERHETSFÖRESKRIFTER

2.1 Installation



WARNING!

Endast en behörig person får installera den här produkten.

- Avlägsna allt förpackningsmaterial.
- Installera eller använd inte en skadad produkt.
- Följ de installationsinstruktioner som följer med produkten.
- Produkten är tung, så var alltid försiktig när du flyttar den. Använd alltid skyddshandskar.
- Se till att luft kan cirkulera i produkten.
- Vänta minst 4 timmar innan du ansluter produkten till eluttaget. Detta för att oljan ska rinna tillbaka i kompressorn.
- Installera inte produkten nära element, spisar, ugnar eller hällar.
- Produktens bakre yta måste ställas mot väggen.
- Installera inte produkten där den står i direkt solljus.
- Montera inte den här produkten i områden som är för fuktiga eller för kalla, som t.ex. byggnadsförråd, garage eller vinkällare.
- När du flyttar produkten, lyft upp den i framkanten för att inte repa golvet.

2.2 Elektrisk anslutning



WARNING!

Risk för brand och elektriska stötår.

- Produkten måste jordas.
- Kontrollera att produktens märkdata överensstämmer med din strömökla. I annat fall, kontakta en elektriker.
- Använd alltid ett korrekt installerat, stötsäkert och jordat eluttag.
- Använd inte grenuttag eller förlängningsladdar.
- Kontrollera så att du inte skadar de elektriska komponenterna (t.ex. stickkontakten, nätkabeln, kompressorn). Kontakta service eller en elektriker för att ersätta skadade komponenter.
- Nätkabeln måste vara under stickkontaktens nivå.
- Anslut stickkontakten till eluttaget endast i slutet av installationen. Kontrollera att stickkontakten är åtkomlig efter installationen.
- Dra inte i nätkabeln för att koppla bort produkten från eluttaget. Ta alltid tag i stickkontakten.

2.3 Använd



WARNING!

Risk för skador, brännskador eller elstötar föreligger.

- Ändra inte produktens specifikationer.
- Ställ inte elektriska produkter (t.ex. glassmaskiner) i produkten om inte tillverkaren uttryckligen säger att det är lämpligt.
- Var försiktig så att du inte skadar kylkretsen. Den innehåller isobutan (R600a), en naturgas som är miljöanpassad i hög grad. Denna gas är lättantändlig.
- Om kylkretsen skadas får inga flammor eller antändningskällor finnas i rummet. Ventilera rummet.
- Låt inte varma föremål vidröra plastdelarna i produkten.
- Lägg inte in läskedrycker i frysen. Detta skapar tryck i dricksflaskan.
- Förvara inte brandfarliga gaser eller vätskor i produkten.
- Placera inga lättantändliga produkter eller föremål som är fuktiga med lättantändliga produkter i, nära eller på produkten.
- Vidrör inte kompressorn eller kondensorn. De är heta.
- Ta inte bort och vidrör inte föremål från frysdelen om händerna är våta eller fuktiga.
- Frys inte mat igen som en gång tinats.
- Följ förvaringsanvisningarna på förpackningen till den frusna maten.

2.4 Skötsel och rengöring



WARNING!

Risk för personskador och skador på produkten föreligger.

- Stäng av produkten och koppla bort den från eluttaget före underhåll.
- Kylenheten i denna produkt innehåller kolväten Endast en behörig person får utföra underhåll och fylla kylapparaten.
- Undersök regelbundet tömningskanalen i kylan och rengör den vid behov. Om tömningskanalen täpps igen kommer avfrostat vatten att samlas på produktens botten.

2.5 Avfallshantering



WARNING!

Risk för kvävning eller skador.

- Koppla loss produkten från eluttaget.
- Klipp av strömkabeln och kassera den.
- Ta bort locket för att hindra att barn eller djur stängs in inuti produkten.
- Kylkretsen och isoleringsmaterialet i den här produkten är "ozonvänliga".
- Isoleringsmaterialet innehåller brandfarlig gas. Kontakta kommunen för information om hur produkten kasseras korrekt.
- Orsaka inte skada på den delen av kylanheten som är nära värmeväxlaren.

3. ANVÄNDNING

3.1 Slå på

1. Sätt in stickkontakten i eluttaget.
2. Vrid temperaturreglaget medurs till en medelhög inställning.

3.2 Stänga av

Stäng av produkten genom att vrida temperaturreglaget till "0"-läget.

3.3 Temperaturreglering

Temperaturen regleras automatiskt.



En medelhög inställning är i regel bäst.

Den exakta inställningen bör dock väljas med hänsyn till att temperaturen inne i produkten beror på:

- rumstemperatur,
- hur ofta dörren öppnas,
- mängden matvaror som förvaras,
- produktens placering.

1. Vrid temperaturreglaget mot de låga inställningarna för att erhålla låga kylnivåer.
2. Vrid temperaturreglaget mot de höga inställningarna för att få höga kylnivåer.

4. DAGLIG ANVÄNDNING

4.1 Infrysning av färska livsmedel

Produkten är lämplig för infrysning av färska livsmedel och långvarig förvaring av frysta och djupfrysta matvaror.

För att frysa in färska mat behöver inte den medelhöga inställningen ändras.

För snabbare infrysning kan dock temperaturreglaget vridas till en högre inställning för att erhålla en högre kyleffekt.



FÖRSIKTIGHET!

I detta läge kan temperaturen i kylskåpsutrymmet sjunka under 0 °C. Ställ i så fall in temperaturreglaget på en varmare inställning.

4.2 Upptining

Djupfryst och fryst mat kan, innan den används, tinas i kylan eller vid rumstemperatur beroende på den tid som står till förfogande för upptiningen.

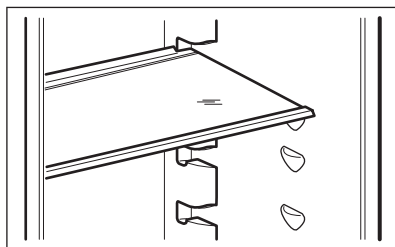
Småbitar kan till och med tillagas direkt från frysen medan de fortfarande är frysta. Tillagningen tar i detta fall dock lite längre tid.



FÖRSIKTIGHET!

Om produkten är inställd på en låg temperatur och omgivningstemperaturen är hög eller full med matvaror, kan kompressorn arbeta kontinuerligt och medföra att frost bildas på baksidan. I detta fall måste temperaturreglaget ställas in på en högre temperatur för att möjliggöra automatisk avfrostning och därigenom också sänka energiförbrukningen.

4.3 Flyttbara hyllor



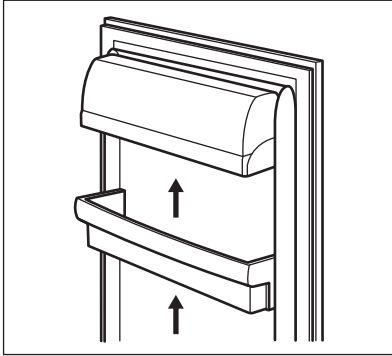
Väggarna i kylskåpet är försedda med ett antal skenor så att hyllorna kan placeras enligt önskemål.

4.4 Placering av dörrhyllorna

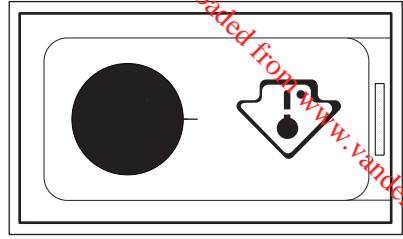
För att kunna förvara matförpackningar av olika storlekar kan dörrhyllorna placeras på olika nivåer.

Justera hyllorna på följande sätt:

1. Dra hyllan bitvis i pilarnas riktning tills den lossnar



2. Placera hyllan enligt behov.



4.5 Temperaturindikator



Denna produkt säljs i Frankrike. Enligt gällande bestämmelser i detta land måste kylskåpet förses med en speciell anordning (se bild) som placeras i det nedre facket för att indikera den kallaste zonen i kylskåpet.

5. RÅD OCH TIPS

5.1 Normala driftljud

Följande ljud är normala under drift:

- Ett gurglande och bubblande ljud hörs från slingorna när köldmedlet pumpas runt.
- Ett surrande eller pulserande ljud hörs från kompressorn när köldmedlet pumpas runt.
- Ett plötsligt knackande ljud från produktens insida som orsakas av termisk dilatation (ett naturligt och ofarligt fysiskt fenomen).
- Ett gurglande klickljud hörs från temperaturregulatoren när kompressorn slås på eller av.

5.2 Tips för energibesparing

- Öppna inte dörren för ofta och låt den inte stå öppen längre tid än absolut nödvändigt.
- Om rumstemperaturen är hög, och temperaturreglaget är inställt på en

låg temperatur och produkten är fulladdad, kan kompressorn arbeta kontinuerligt och medföra att frost eller is bildas på evaporatorn. Om detta inträffar, ställ in temperaturreglaget på ett varmare läge för att möjliggöra automatisk avfrostning och därigenom också sänka energiförbrukningen.

5.3 Tips för kylning av färsk livsmedel

För att få bästa resultat:

- Förvara inte varm mat eller flyktiga vätskor i kylskåpet.
- Täck över eller förpacka maten, särskilt om den har en stark smak.
- placera mat så att luft kan cirkulera fritt omkring den

5.4 Tips för kylning

Praktiska råd:

- Kött (alla typer) : Lagg i plastpåsar och placera på glashyllan ovanför grönsakslådan.
- Av säkerhetsskäl bör kött förvaras på detta sätt i högst två dygn.
- Tillagad mat och kalla rätter: Dessa bör täckas över och kan placeras på valfri hylla.
- Frukt och grönsaker: Skölj av och rengör noga och lägg i den speciella grönsakslådan(-lådorna).
- Smör och ost: Dessa produkter bör läggas i särskilda, lufttäta behållare eller förpackas i aluminiumfolie eller plastpåsar för att få bort så mycket luft som möjligt.
- Flaskor: dessa bör ha kapsyl och förvaras lämpligen antingen i dörrens flaskhylla eller (extrautr.) i flaskstället.
- Bananer, potatis, lök och vitlök som inte är förpackade bör inte förvaras i kylskåpet.

5.5 Tips för infrysning

Här följer några värdefulla tips som hjälper dig att använda infrysningfunktionen på bästa sätt:

- den största mängd mat som kan frysas inom 24 timmar anges på typskylten
- Infrysningsprocessen tar 24 timmar. Ytterligare livsmedel som skall frysas in bör inte läggas in under denna period.
- frys endast in färska och rena matvaror av hög kvalitet.
- dela upp maten i små portioner för en snabbare och fullständig infrysning.

6. SKÖTSEL OCH RENGÖRING



WARNING!

Se säkerhetsavsnitten.

6.1 Allmänna varningar



FÖRSIKTIGHET!

Koppla loss produkten från eluttaget innan du utför någon form av underhåll.



Kylenheten i denna produkt innehåller kolväten. Underhåll och påfyllning får därför endast utföras av en auktoriserad servicetekniker.



Tillbehören och andra delar av produkten är inte lämpliga för rengöring i diskmaskin.

- Sedan kan du automatiskt plocka ut och tina endast den mängd du behöver.
- slå in maten i aluminiumfolie, eller lägg den i plastpåsar och se till att förpackningarna är lufttätta.
- låt inte färsk, ej infrysad mat komma i kontakt med redan infrysad mat för att temperaturen inte skall öka i den infrysade maten.
- magra matvaror håller sig bättre och längre än feta. Salt minskar livslängden på matvaror.
- isglass kan, om den konsumeras direkt från frysfacket, orsaka frysskador på huden;
- det är lämpligt att anteckna datumet för infrysning på varje separat förpackning så att du kan hålla reda på förvaringstiderna.

5.6 Tips för förvaring av fryst mat

Observera följande för att utnyttja produktens prestanda på bästa sätt:

- Kontrollera att kommersiellt infrysad matvaror har förvarats på rätt sätt av återförsäljaren.
- transportera frysta matvaror från affären till frysen så snabbt som möjligt;
- öppna inte dörren för ofta och låt den inte stå öppen längre tid än absolut nödvändigt.
- när fryst mat tinas upp försämras den snabbt och får inte frysas in på nytt.
- överskrid inte den förvaringsperiod som anges av tillverkaren.

6.2 Regelbunden rengöring



FÖRSIKTIGHET!

Dra inte i, flytta inte och undvik att skada rörledningarna och kablarna inne i produkten.



FÖRSIKTIGHET!

Var försiktig så att du inte skadar kylsystemet.



FÖRSIKTIGHET!

När du flyttar produkten ska du lyfta upp den i framkanten så att inte golvet repas.

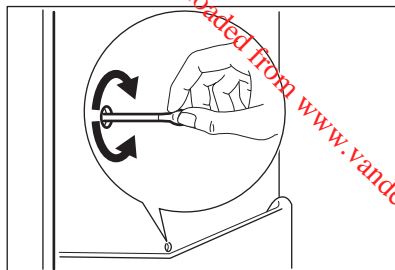
Utrustningen måste rengöras med jämna mellanrum:

1. Rengör kylens/frysens insida och alla tillbehör med ljummet vatten och en liten mängd neutral såpa.
2. Inspektera regelbundet dörrtätningarna och torka dem rena från eventuell smuts.
3. Skölj av och torka noggrant.
4. Rengör kondensorn och kompressorn (om de går att komma åt) på produktens baksida med en borste.
Detta förbättrar produktens prestanda och bidrar till en lägre energiförbrukning.

6.3 Avfrostning av kylskåpet

Frost avlägsnas automatiskt i kylutrymmet varje gång kompressorn stannar under normal användning. Det avfrostade vattnet töms ut via en ränna i en särskild behållare som sitter ovanför kompressorn på produktens baksida, där vattnet avdunstar.

Det är viktigt att regelbundet rengöra smältvattnets tömningshål i mitten av kylskåpsutrymmet för att undvika att vattnet rinner över och droppar ned på matvarorna.



6.4 Avfrostning av frysen



FÖRSIKTIGHET!

Använd aldrig vassa metallverktyg för att skrapa av frost från evaporatorn, eftersom den kan skadas. En temperaturökning hos frysta matförpackningar kan förkorta tiden som de kan förvaras utan säkerhetsrisk. Använd inga mekaniska verktyg eller andra medel för att påskynda avfrostningsprocessen utöver de som rekommenderas av tillverkaren.

En viss mängd frost bildas alltid på fryshyllorna och runt det övre facket.

Frosta av frysen när frostlagret har en tjocklek på cirka 3-5 mm.

1. Stäng av produkten eller koppla loss den från eluttaget.
2. Plocka ut matvarorna ur frysen, slå in dem i flera lager med tidningspapper och lägg dem på en sval plats



FÖRSIKTIGHET!

Ta inte i fryst mat med våta händer. Dina händer kan frysa fast vid matvarorna.

3. Öppna dörren.
För att påskynda avfrostningsprocessen kan du placera en skål med varmt vatten i frysfacket. Du kan också ta bort

isbitar som lossnar innan avfrostningen är klar.

4. När avfrostningen är klar, torka av insidan noga.
5. Sätt på produkten.
6. Ställ in temperaturreglaget på högsta kyleffekt och låt produkten stå i två eller tre timmar med denna inställning.
7. Lägg tillbaka matvarorna som du tidigare plockade ut.



WARNING!

Om produkten lämnas påslagen, be någon titta till den då och då så att inte varorna i den förstörs vid en händelse av strömavbrott.

6.5 Långa uppehåll

Följ nedanstående anvisningar om produkten inte skall användas på länge:

1. Koppla loss produkten från eluttaget.
2. Plocka ur alla matvaror.
3. Avfrosta (i förekommande fall) och rengör produkten och alla tillbehör.
4. Rengör produkten och alla tillbehör.
5. Låt dörren/dörrarna stå på glänt så att inte dålig lukt bildas.

7. FELSÖKNING



WARNING!

Se säkerhetsavsnitten.

7.1 Om produkten inte fungerar...

Problem	Möjlig orsak	Åtgärd
Produkten fungerar inte.	Produkten har stängts av.	Slå på produkten.
	Stickkontakten sitter inte ordentligt i eluttaget.	Sätt i stickkontakten ordentligt i eluttaget.
	Eluttaget är strömlöst.	Anslut en annan elektrisk produkt till eluttaget. Kontakta en behörig elektriker.
Produkten bullrar.	Produkten står ostadigt.	Kontrollera om produkten står stabilt.
Kompressorn är kontinuerligt i drift.	Temperatur är felaktigt inställd.	Se avsnittet "Användning".
	Många matvaror inlagda samtidigt.	Vänta några timmar och kontrollera sedan temperaturen igen.
	Rumstemperaturen är för hög.	Se klimatklasstabellen på typskylten.

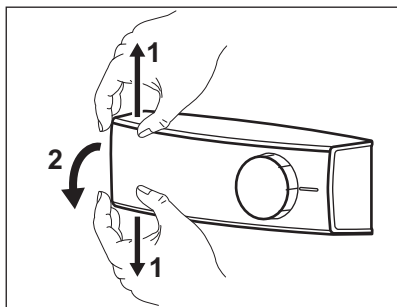
Problem	Möjlig orsak	Åtgärd
	Alltför varm mat har lagts in.	Låt mat svalna till rumstemperatur före infrysning.
	Vattentömningspluggen är inte korrekt placerad.	Placera vattentömningspluggen på rätt sätt.
	Matvaror är inte ordentligt förpackade.	Förpacka matvarorna ordentligt.
	Temperatur är felaktigt inställd.	Se avsnittet "Användning".
Vatten rinner inne i kylskåpet.	Vattenutloppet är igen-täppt.	Rengör vattenutloppet.
	Matvaror hindrar vattnet från att rinna in i vattensamlaren.	Kontrollera att inga matvaror har kontakt med den bakre väggen.
Vatten rinner ut på golvet.	Smältvattensutloppet är inte anslutet till avdunstningsbrickan ovanför kompressorn.	Anslut smältvattensutloppet till avdunstningsbrickan.
Temperaturen i produkten är för låg/hög.	Temperaturen är felaktigt inställd.	Ställ in en högre/lägre temperatur.
	Locket är inte ordentligt stängt.	Se avsnittet "Stängning av dörren".
	Matvarornas temperatur är för hög.	Låt matvarornas temperatur sjunka till rumstemperatur innan du lägger in dem.
	Många matvaror inlagda för förvaring samtidigt.	Lägg in färre matvaror för förvaring samtidigt.
	Frosten är tjockare än 4-5 mm.	Avfrosta produkten.
	Dörren har öppnats för ofta.	Öppna dörren bara när det behövs.



Kontakta vår lokala serviceavdelning om dessa råd inte löser problemet.

7.2 Byte av lampan

1. Koppla bort produkten från eluttaget
2. Flytta samtidigt det genomskinliga lampglaset uppåt och nedåt och haka samtidigt loss det i pilarnas riktning.



3. Byt lampan mot en med samma effekt och form och som är specialtillverkad för dessa produkter.

8. INSTALLATION

8.1 Placering

Produkten kan installeras på en torr och välventilerad plats inomhus där omgivningstemperaturen motsvarar den klimatklass som anges på typskylten:

Klimat-klass	Omgivningstemperatur
SN	+10 °C till + 32 °C
N	+16 °C till + 32 °C
ST	+16 °C till + 38 °C
T	+16 °C till + 43 °C



Vissa funktionsproblem kan uppstå för vissa modelltyper vid användning utanför det området. Korrekt funktion kan endast garanteras inom angivet temperaturområde. Om du är osäker på var du ska installera produkten kan du kontakta återförsäljaren, vår kundtjänst eller närmsta servicecenter

8.2 Elektrisk anslutning

- Kontrollera att nätspänningen och nätfrekvensen överensstämmer med produktens märkdata som anges på typskylten före anslutning till ett eluttag.

4. Sätt tillbaka lampskyddet.
5. Sätt i stickkontakten i eluttaget. Öppna dörren. Kontrollera att belysningen tänds.

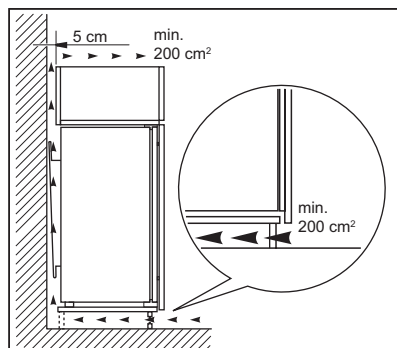
7.3 Stängning av dörren

1. Rengör dörrtätningarna.
2. Justera dörren vid behov. Se avsnitt "Installation".
3. Byt vid behov ut defekta dörrtätningar. Kontakta vår serviceavdelning.

- Produkten måste jordas. Nätkabelfns stickkontakt är försedd med en kontakt för detta ändamål. Om nätspänningsmatningen inte är jordad, kontakta en kvalificerad elektriker för att ansluta produkten till en separat jord enligt gällande bestämmelser.
- Tillverkaren ansvarar inte för skador orsakade av att ovanstående säkerhetsåtgärder inte har följts.
- Denna produkt uppfyller kraven enligt EU:s direktiv.

8.3 Ventilationskrav

Luftflödet bakom produkten måste vara tillräckligt.

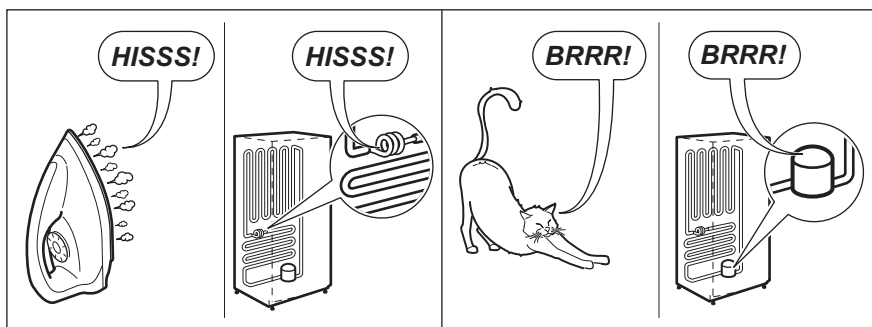
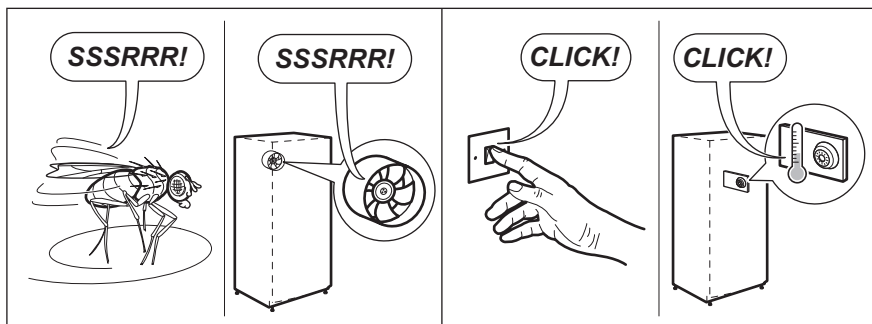
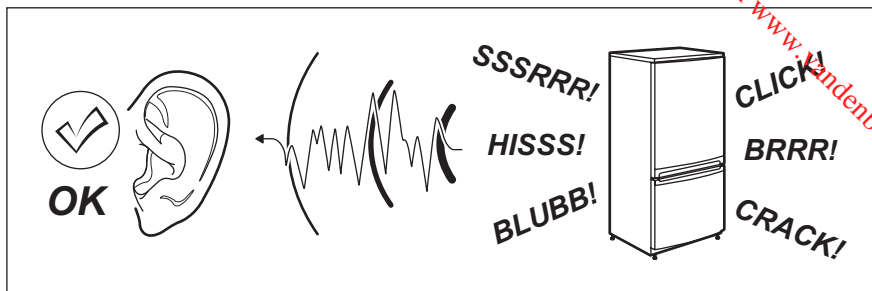


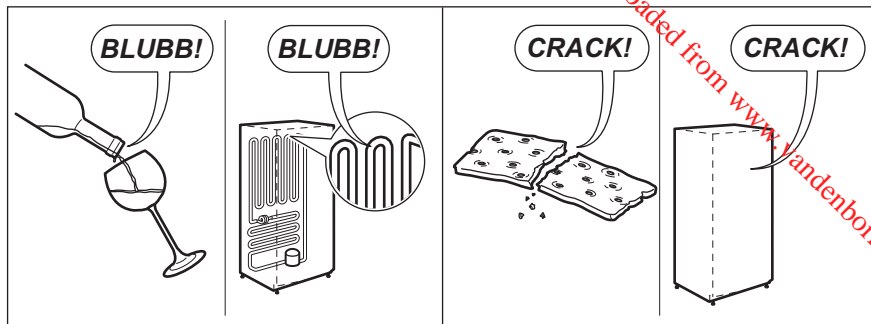
FÖRSIKTIGHET!

Se monteringsanvisningarna för installationen.

9. BULLER

Vissa ljud hörs under normal användning (kompressor, cirkulation av kylmedel).





Downloaded from www.vandenborre.be


10. TEKNISK INFORMATION


10.1 Tekniska data

Inbyggnadsmått		
Höjd	mm	1225
Bredd	mm	560
Djup	mm	550
Temperaturökningstid	Timmar	12
Nätspänning	Volt	230 - 240
Frekvens	Hz	50

Teknisk information finns på typskylten som sitter på insidan eller utsidan av produkten och på energietiketten.

11. MILJÖSKYDD

Återvinn material med symbolen . Återvinn förpackningen genom att placera den i lämpligt kärl. Bidra till att skydda vår miljö och vår hälsa genom att återvinna avfall från elektriska och elektroniska produkter. Släng inte

produkter märkta med symbolen  med hushållsavfallet. Lämna in produkten på närmaste återvinningsstation eller kontakta kommunkontoret.

Downloaded from www.vandenborre.be

www.aeg.com/shop



Downloaded from www.vandenborre.be
226370369-A-282014

